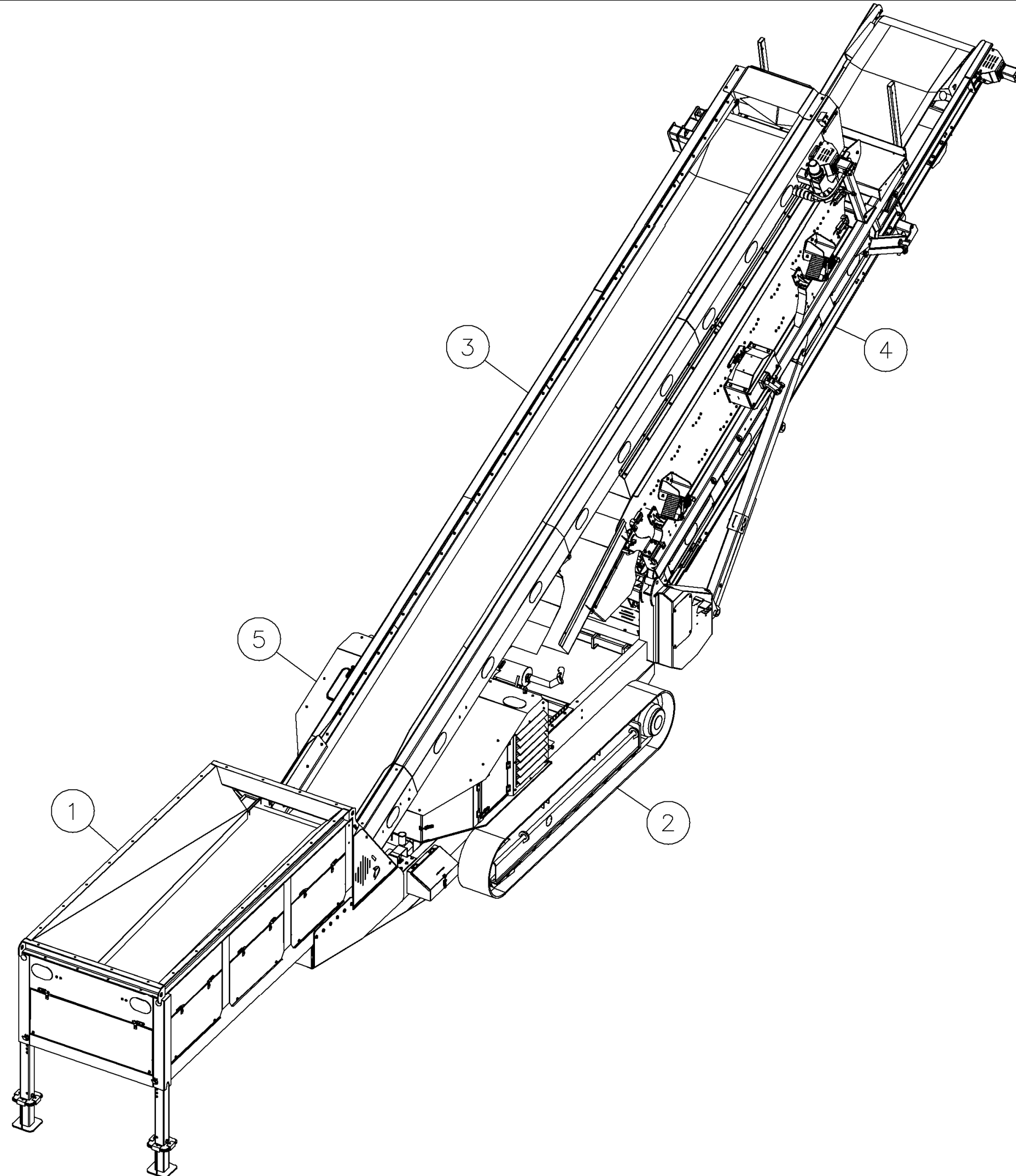
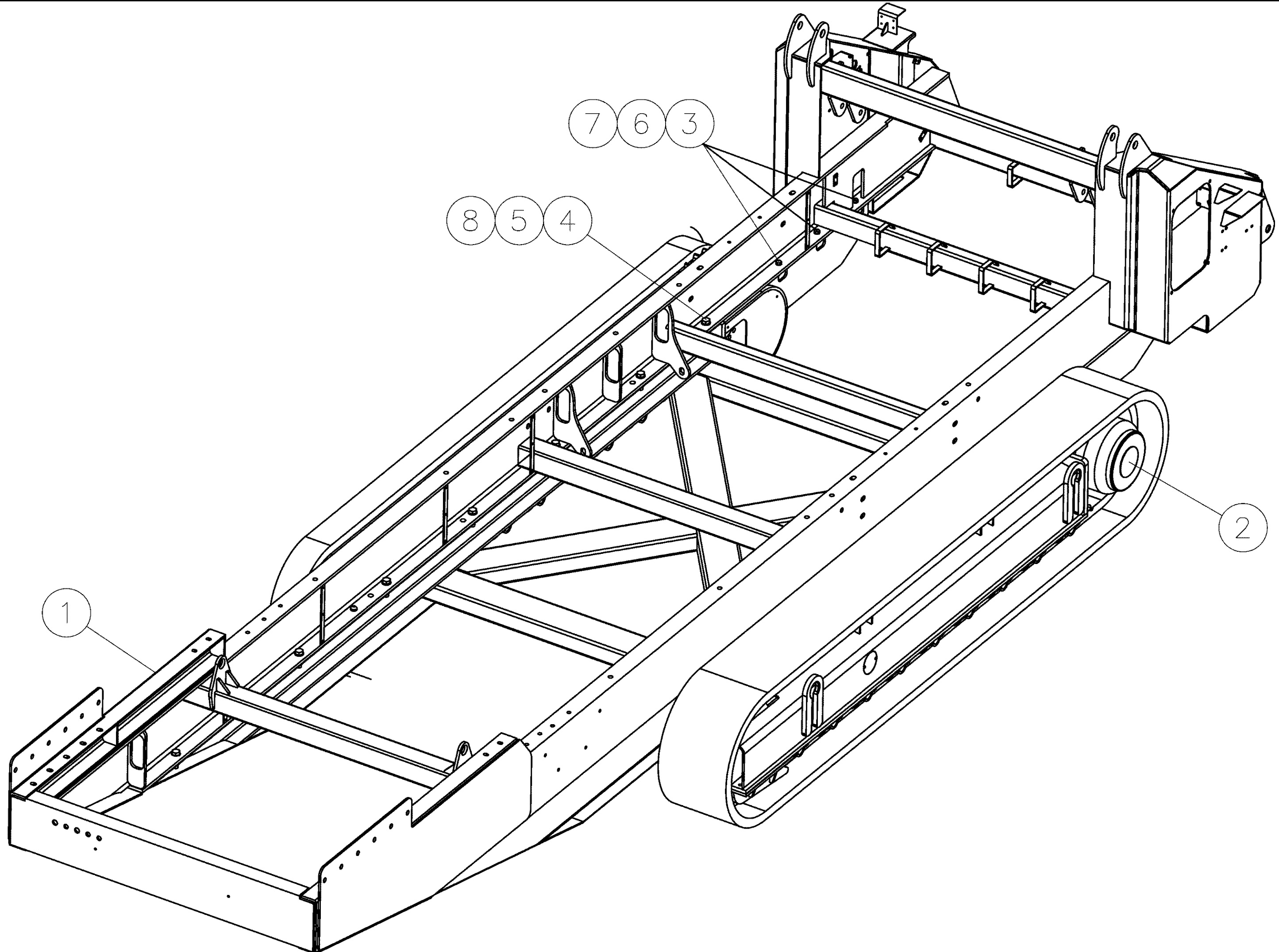


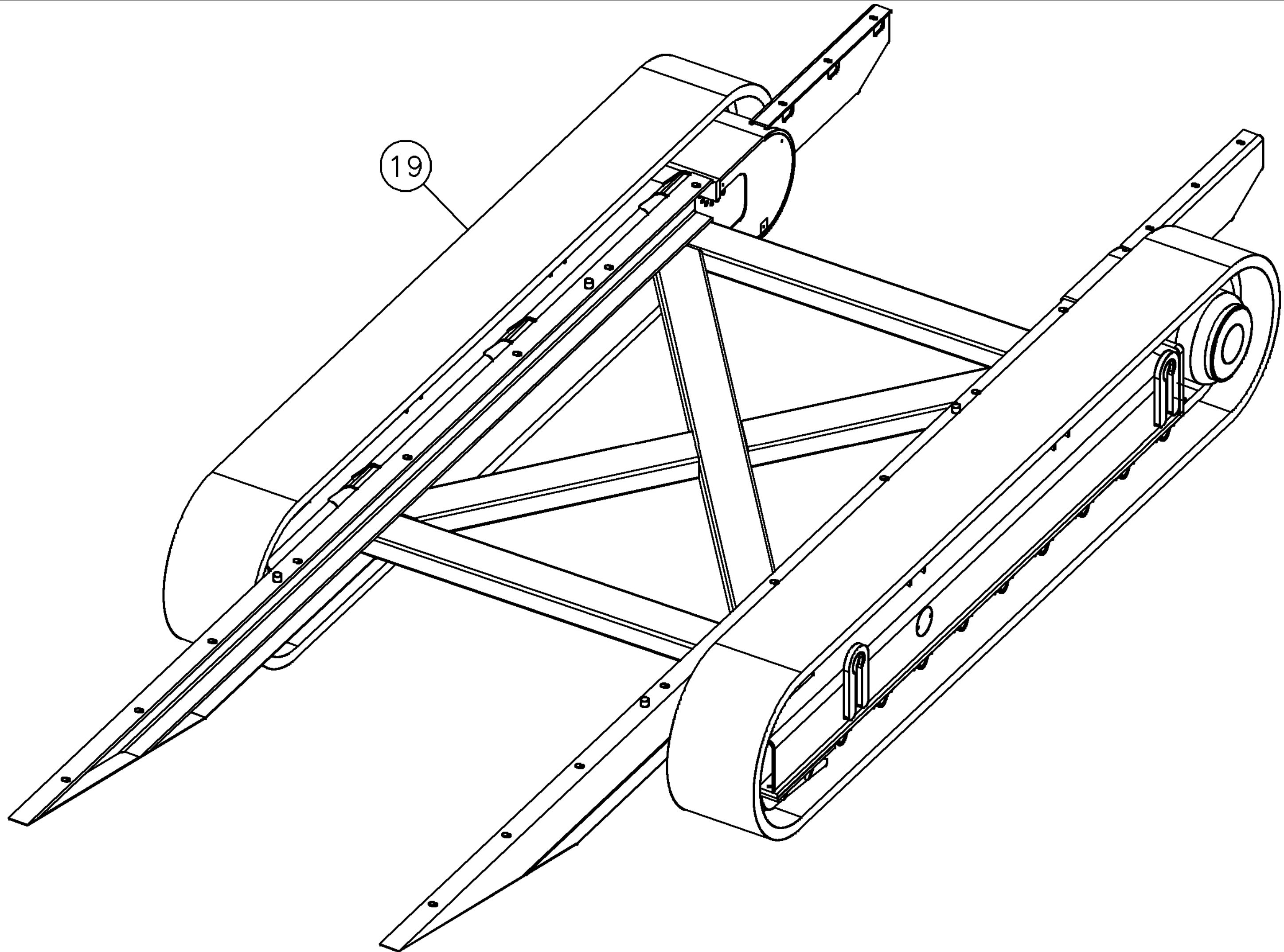
Pos.	Part No.	Description	Qty	Net Wght	Page
1	M11738	BASIC UNIT	1		2
2	M11656	CONVEYOR MODULE INSTALLATION	1	4550	46
3	MM0296273	ENGINE MODULE ASSEMBLY	1	1710	63
4	M09980	GRID MODULE INSTALLATION	1	1006.21	93
	M09615	BLIND GRIZZLY ASSEMBLY	1	884.50	97
5	MM0328727	FEEDER UNIT INSTALLATION	1	3392.72	98
6	M09817	PLATFORM	1	55	110
12	953529	ELECTRIFICATION	1	5.5	112
16	MM0287692	CABLE GROUP	1	0.5	114
20	M11659-1	STICKERS	1	0.27	115
21	MM0288272	TOOL BOX	1	4.65	
600	MM0276756	CIRCUIT DIAGRAM	1		116
601	MM0334750	HYDRAULIC DIAGRAM	0		117



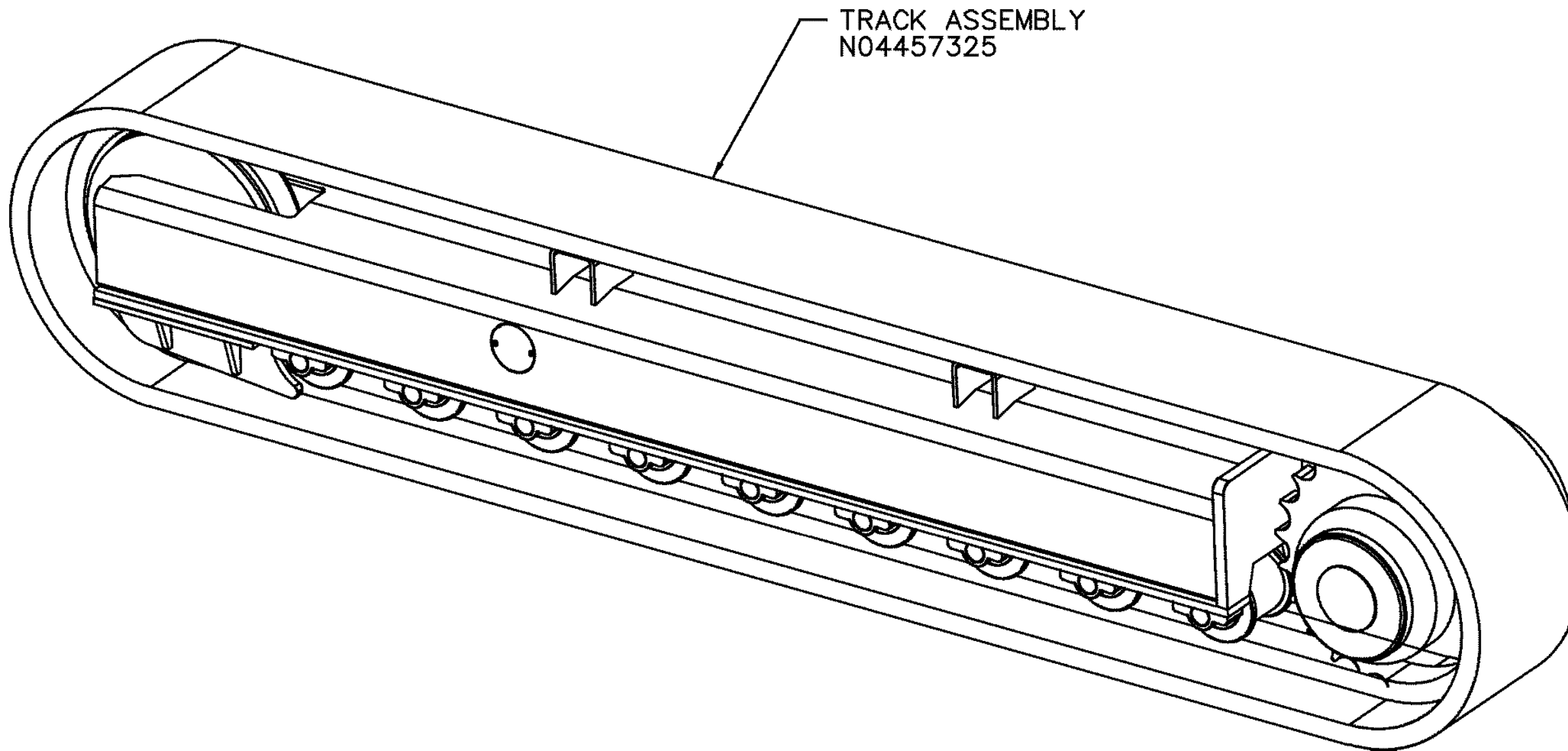
Pos.	Part No.	Description	Qty	Net Wght	Page
1	M09271	SHOES ASSEMBLY	2	17.01	
2	MM0323456	CHASSIS	1	2872.98	3
3	M11371	PIPING, CONVEYOR	1	2876	6
4	M11450	SCREEN MODULE INSTALLATION	1	7148.25	14
5	N01685060	WATER LEVEL	2	0.1	
6	MM0316901	PIPING, DRIVE MOTORS	1		35
7	MM0317200	PIPING, HYDRAULIC	1		36
8	MM0317441	PIPING, HYDRAULIC	1		37
9	MM0328780	PIPING, HYDRAULIC	1		38
10	MM0317906	PIPING, HYDRAULIC	1		39
11	MM0323416	FRAME EQUIPMENT	1	59.51	40
12	MM0321381	ELECTRIFICATION	1		42



Pos.	Part No.	Description	Qty	Net Wght	Page
1	M11552	FRAME WELDING	1	1952.97	
2	M11530	TRACK WELDING	1	878.00	4
3	N01530316	BOLT, HEXAGONAL	6	0.12	
4	N01530524	BOLT, HEXAGONAL	16	0.39	
5	704203927240	NUT, SELF-LOCKING	16	0.1	
6	704203927160	NUT, SELF-LOCKING	6	0.035	
7	N01626516	PLAIN WASHER	12	0.012	
8	704007190000	PLAIN WASHER	32	0.03	



Pos.	Part No.	Description	Qty	Net Wght	Page
1	M08538	GUIDE PIN	4	0.26	
2	M09367	BOX	1	122	
3	M09368	BOX	2	56.5	
4	M09371	BOX	2	86.6	
5	M09373	PLATE	6	1.25	
6	M09504	PLATE	2	0.7	
7	M11334	GUSSET	2	1.27	
8	M11335	GUSSET	10	1.37	
10	M11532	CLOSING PLATE	2	5.51	
11	M11534	CHANNEL	1	163.2	
12	M11535	CHANNEL	1	162.2	
13	M11536	BOTTOM PLATE	1	13	
14	M11537	BOTTOM PLATE	1	13.28	
15	M11538	REAR PLATE	1	21.27	
16	M11539	REAR PLATE	1	21.27	
17	M11542	FILLER PLATE	2	4.28	
18	M11544	CLOSING PLATE	2	14.13	
19	N04457325	TRACK ASSEMBLY	1	3960	5
*	MM0233087	TRACK LINK REPAIR KIT	1	7	
	MM0234571	VALVE	1	.28	
	MM0234573	GREASE FITTING	1	0.116	
	MM0239221	TENSIONER DEVICE	1	1	
	MM0240968	TRACK ROLLER	1	25	
	MM0257189	IDLER	1	60	
	MM0257898	IDLER	1	146	
	MM0263193	TRACK FASTENING	1	0.14	

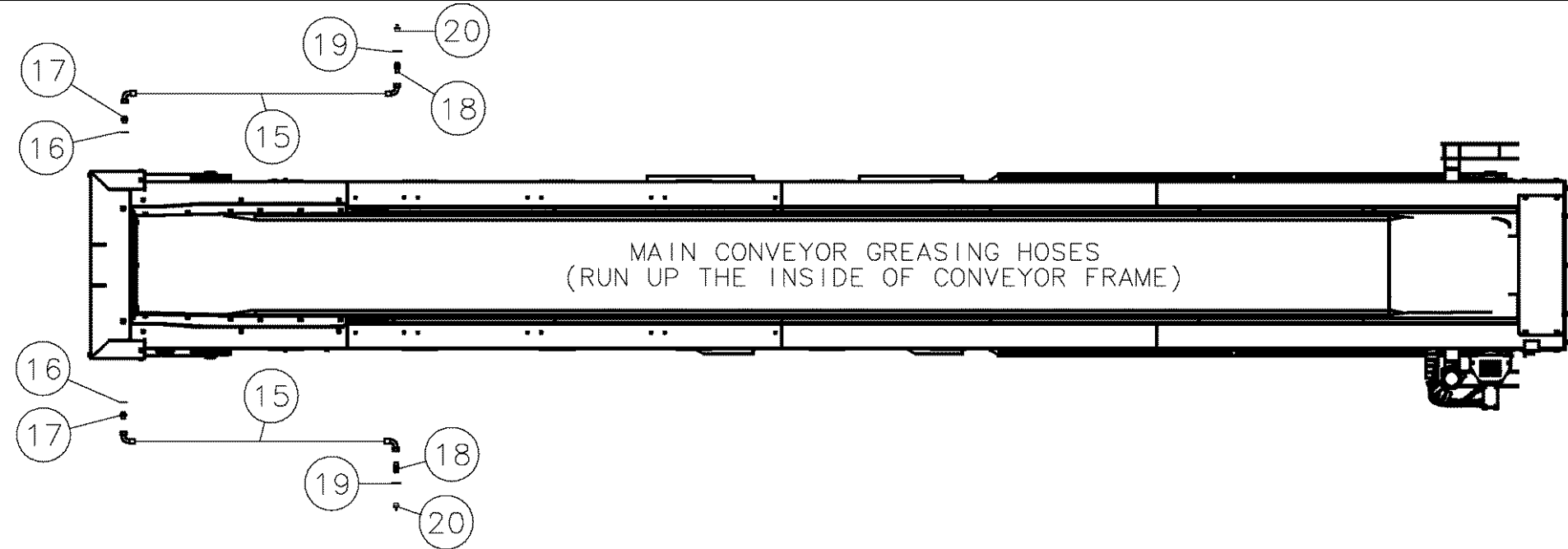
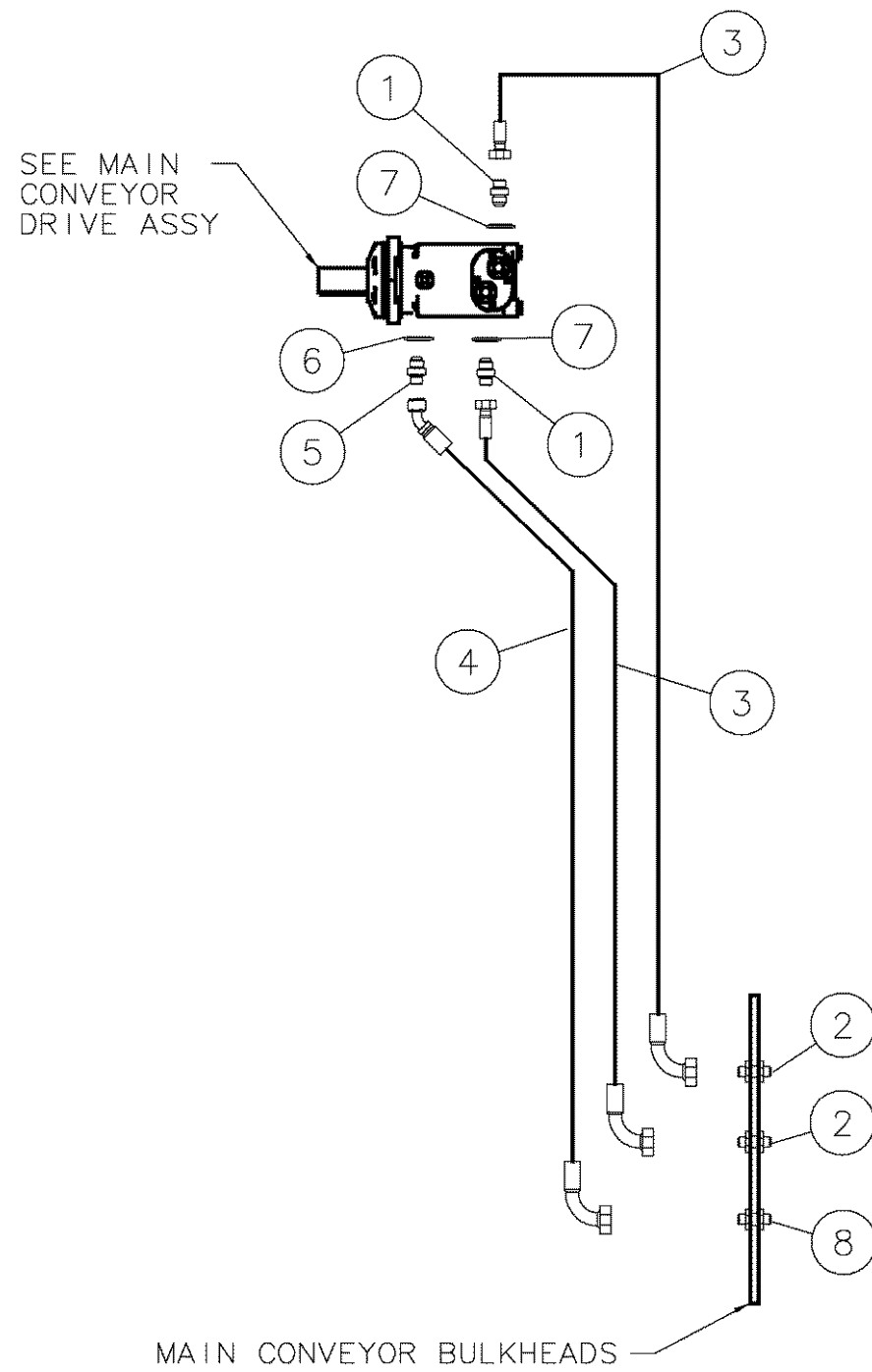


TRACKLINE	ASSEMBLY REPAIR KIT
MM0233087	Trackline Repair Kit
MM0257189	Idler VBD91
MM0257898	Idler VFA6CHD/WP
MM0239221	Tensioner Device
MM0234571	Valve VAT34/VAT35
MM0234573	Grease Fitting
MM0240968	Track Roller
MM0263193	Track Fasteners

Description

THIS PAGE HAS BEEN LEFT INTENTIONALLY BLANK

MAIN CONVEYOR HYDRAULIC HOSES
(RUN UP THE INSIDE OF CONVEYOR FRAME)

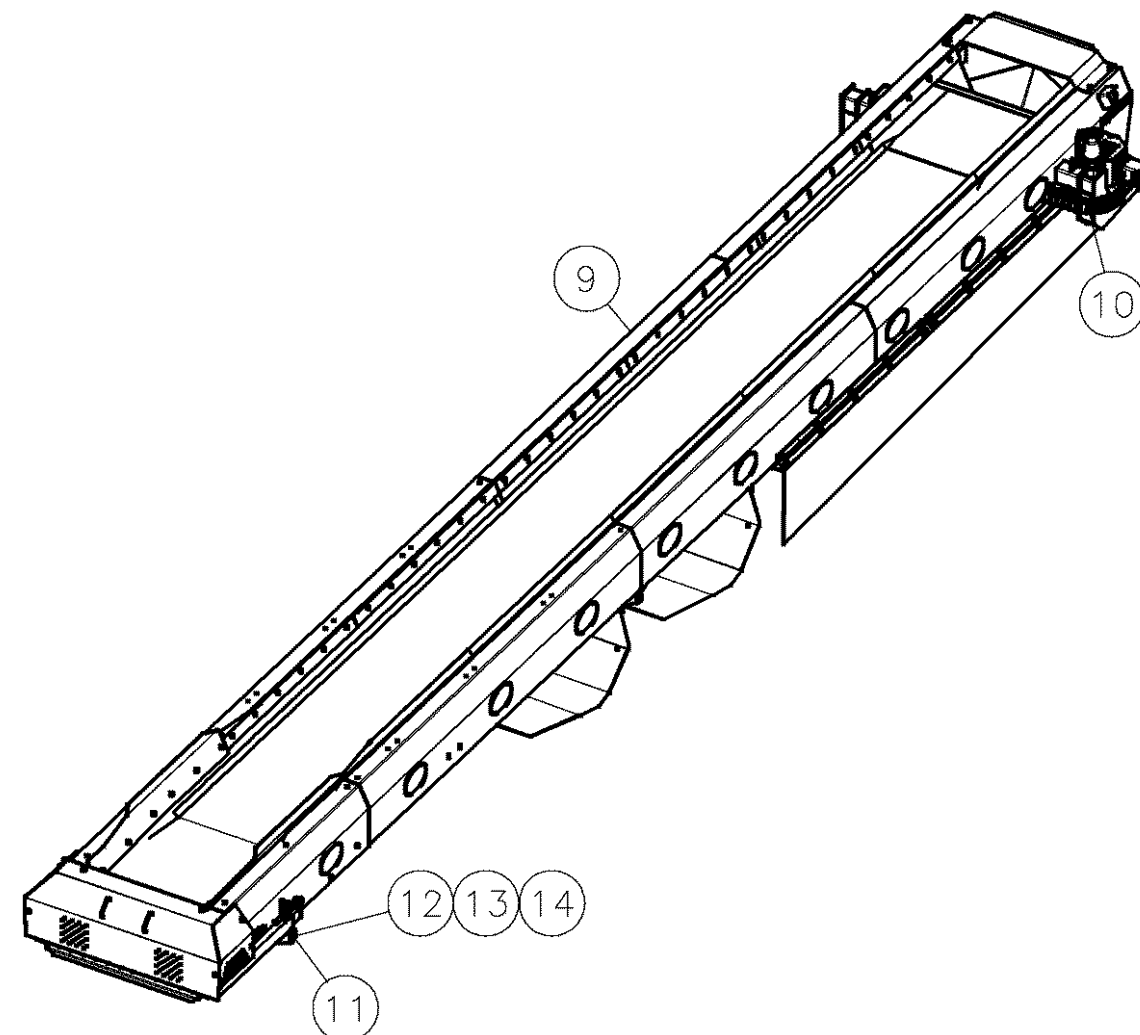


HOLES FOR
HYD HOSES
BULKHEADS

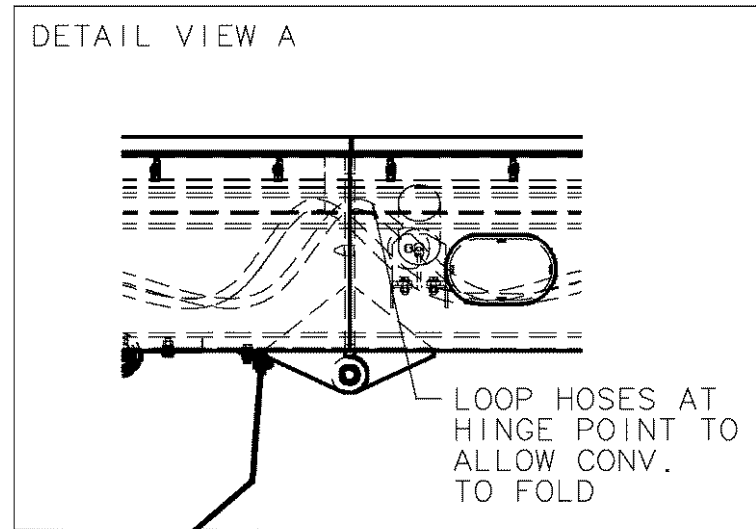
Ø12 HOLE
FOR GREASING
BULKHEAD

DETAIL
VIEW A

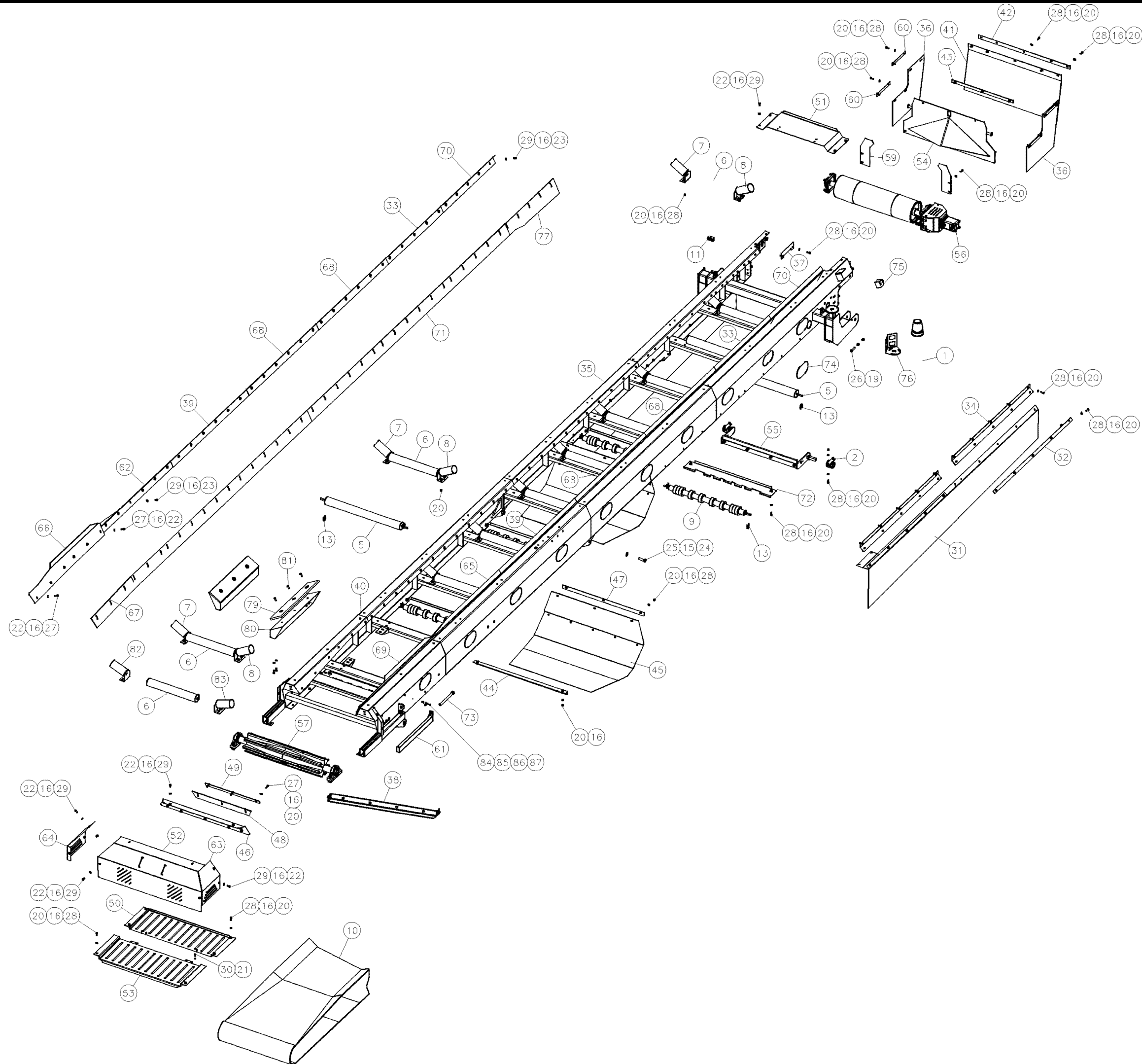
RUN HOSES FROM MOTOR THROUGH
HOLE IN SIDE PLATES, TO HOSE
CLAMPS UNTIL BULKHEADS ON TAIL
SECTION
FEED BLEED/DRAIN HOSES
THROUGH P-CLIPS



DETAIL VIEW A

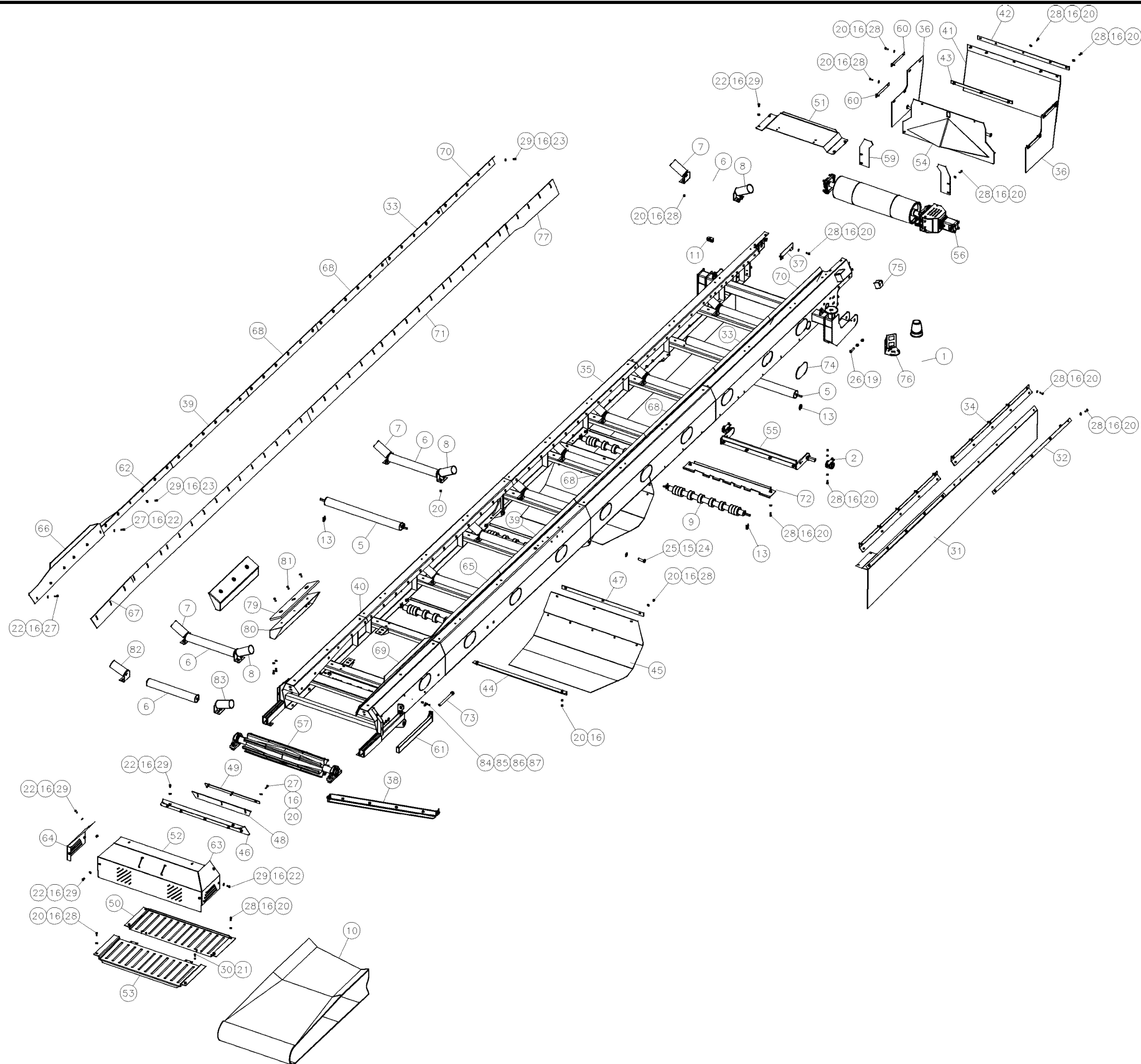


Pos.	Part No.	Description	Qty	Net Wght	Page
1	706300790066	CONNECTION	2	0.16	
2	706300790590	CONNECTION	2	0.4	
3	MM0206426	HYDRAULIC HOSE	2	9.69	
4	MM0206429	HYDRAULIC HOSE	1	5.97	
5	N02407170	CONNECTION	1	0.148	
6	N02701935	SEAL	1		
7	N02701938	SEAL	2	.005	
8	706300790585	CONNECTION	1	0.15	
9	M11372	CONVEYOR MODULE	1	2866.01	7
10	M08830	PROTECTION SPIRAL	1		
11	M09247	JOINT PIN	2	1.3	
12	7001530072	BOLT, HEXAGONAL	2	0	
13	N01626506	PLAIN WASHER	4	.01	
14	704203927060	NUT, SELF-LOCKING	2	0.01	
15	MM0241223	GREASE HOSE	2		
16	MM0242756	SEAL	2	0.01	
17	MM0242794	HYDRAULIC FITTING	2	0.3	
18	MM0242793	HYDRAULIC FITTING	2		
19	N02125889	WIRE MARKER	2		
20	N02122100	GREASE NIPPLE	2	0.008	
21	MM0321433	ELECTRIFICATION	1		12



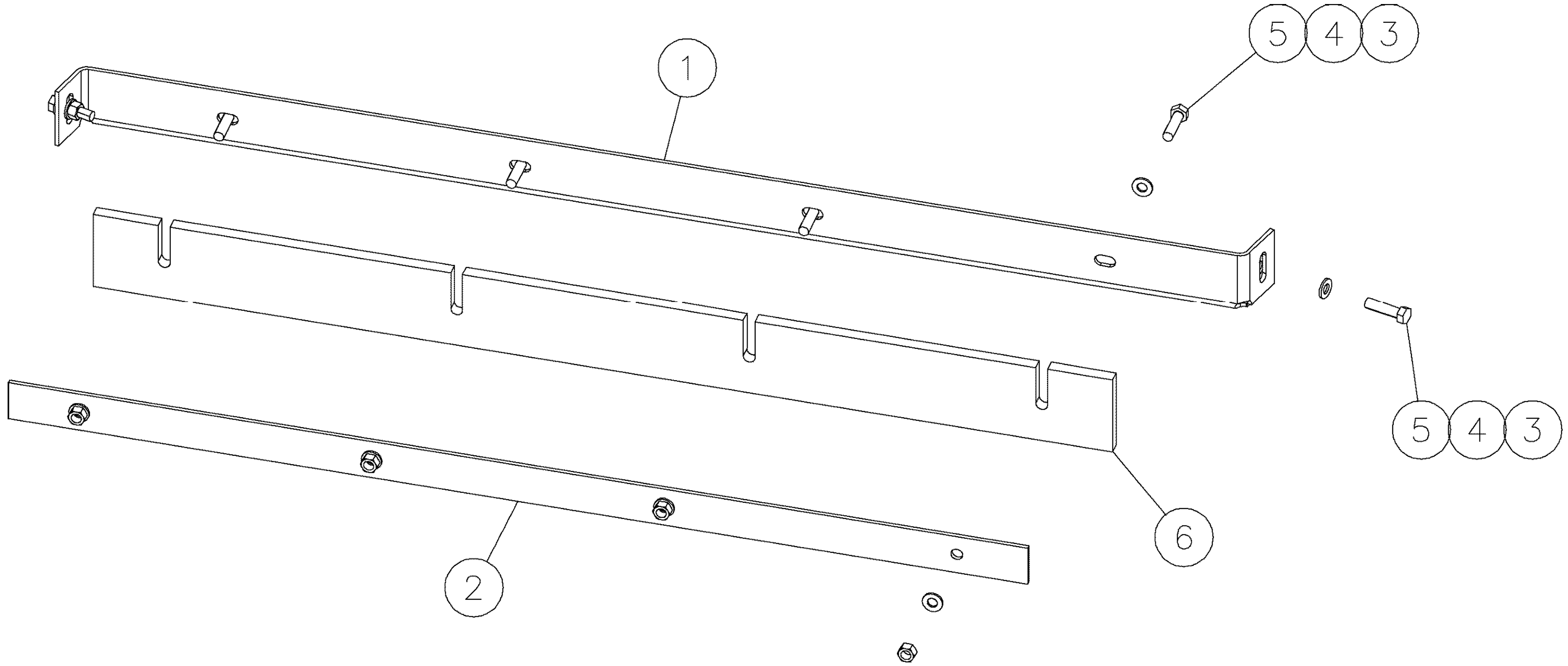


Pos.	Part No.	Description	Qty	Net Wght	Page
1	N05226208	ALARM LIGHT	1	1	
2	N04205907	VIBRATION DAMPER	2	1.3	
*	M11187	ADJUSTMENT PIECE	1	0.726	
5	MM0281384	ROLLER	3	11.31	
6	MM0281417	ROLLER	11	7.39	
7	MM0253176	ROLLER	10	2.8	
8	MM0253190	ROLLER	10	2.8	
9	MM0264902	RETURN ROLLER	5	9.4	
10	MM0264575	CONVEYOR BELT, ENDLESS	1	305	
11	N02118829	FASTENER PAIR	7	0.2	
13	N01841013	U-BOLT	16	0.05	
15	704007190000	PLAIN WASHER	4	0.03	
16	704006970000	PLAIN WASHER	300	0.01	
18	N01626510	PLAIN WASHER	8	0.1	
19	N01570216	NUT, HEXAGONAL	4	.196	
20	7001570012	NUT, SELF-LOCKING	134	0.01	
21	704203927080	NUT, SELF-LOCKING	4	0.0056	
22	N01565051	NUT	16	.01	
23	N01565050	NUT	72	0.023	
24	N01565003	NUT, HEXAGONAL	2	0.094	
25	N01530522	BOLT, HEXAGONAL	2	0.365	
26	N01530321	BOLT, HEXAGONAL	2	0.139	
27	N01530199	BOLT, HEXAGONAL	15	0.05	
28	N01530197	BOLT, HEXAGONAL	131	0.05	
29	N01530192	SCREW, HEXAGONAL	80	0.03	
30	N01530104	SCREW, HEXAGONAL	4	0.01	
31	M11381	RUBBER	2	10.10	
32	M11380	CLAMPING BAR	4	4.08	
33	MM0258675	CLAMP	2	4.42	
34	M11378	RUBBER INSTALLATION	4	10.58	
35	M11373	CONVEYOR FRAME	1	607.05	
36	M11674	COVER, RUBBER	2	1.65	
37	M09346	PLATE	2	0.8	
38	M09208	BELT PLOUGH	1	13	8
39	MM0258672	CLAMP	2	6.14	
40	M09062	FRAME PART	1	430	
41	M11672	COVER, RUBBER	1	4.02	
42	M09045	CLAMP	1	3.1	
43	M09044	CLAMP	1	1.6	
44	M09042	FASTENING BRACKET	2	6	
45	M11673	COVER, RUBBER	2	8.36	
		CONTINUES ON THE NEXT PAGE			7-2

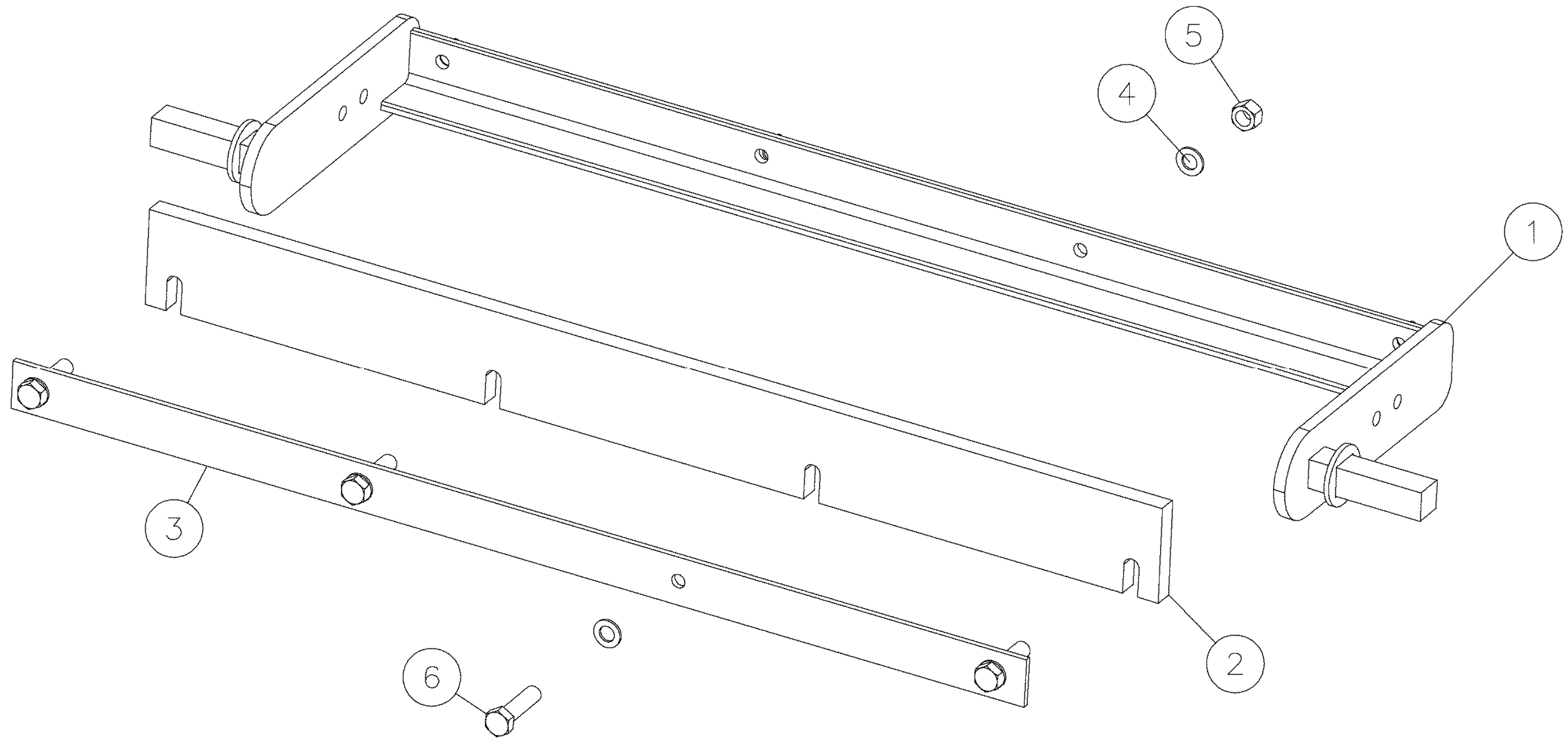




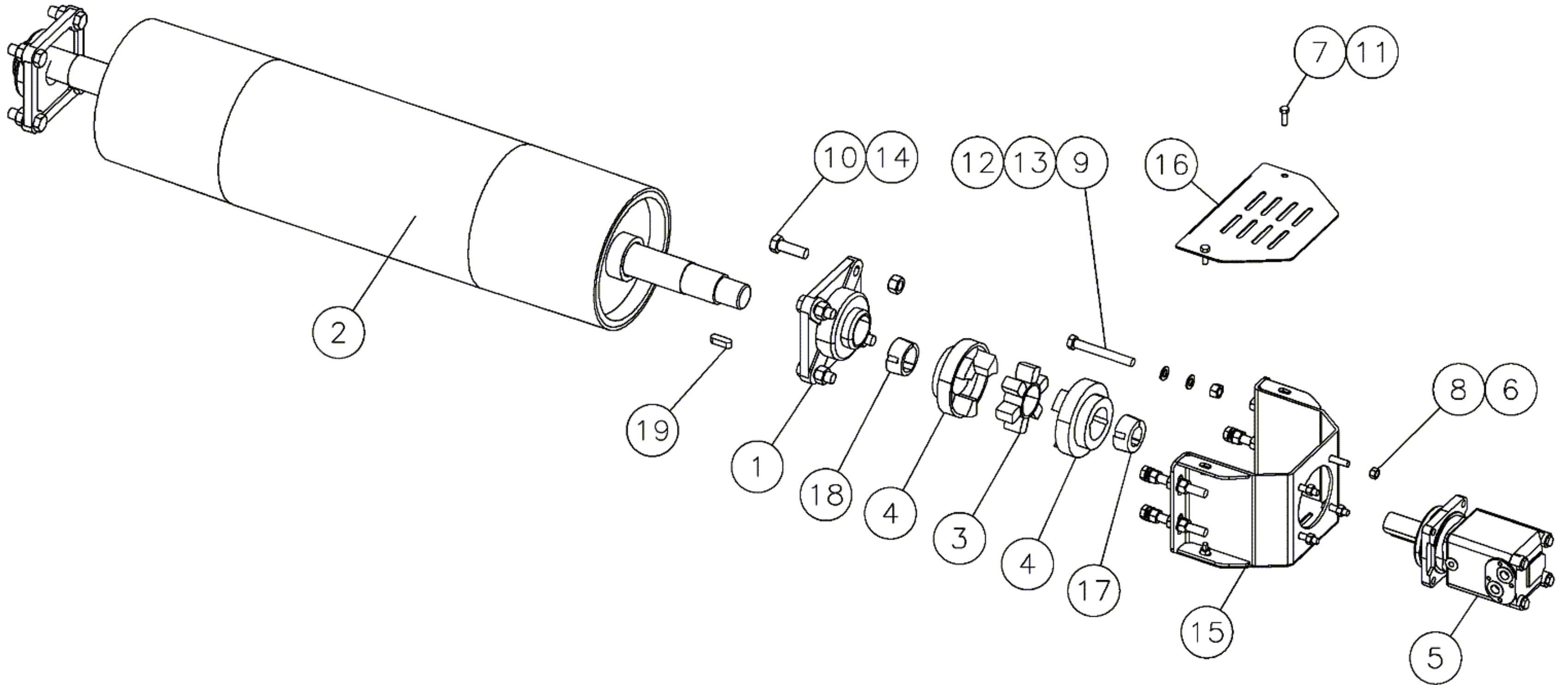
Pos.	Part No.	Description	Qty	Net Wght	Page
		STARTED ON THE PREVIOUS PAGE			7
46	M09040	PLATE	1	10.1	
47	M09039	CLAMP	2	2.8	
48	M09038	RUBBER SKIRT	1	.7	
49	M09037	CLAMP	1	1.5	
50	M09036	GUARD	1	18.1	
51	M09035	PLATE	1	10.2	
52	M09032	GUARD	1	22.5	
53	M09025	GUARD	1	22.5	
54	M09017	FEED PLATE ASSEMBLY	1	91	
55	M09015	SCRAPER ASSEMBLY	1	25.5	9
56	MM0236188	DRIVE DEVICE	1	200	10
57	M09002	PULLEY INSTALLATION	1	140	11
59	M06511-1	GUARD	2	2	
60	M06508-1	CLAMP	4	32	
61	M06397-1	ADJUSTING SUPPORT	2	6.19	
62	MM0258671	CLAMP	1	5.66	
63	M05905-1	BELT GUARD	1	4.1	
64	M05901-1	BELT GUARD	1	4.1	
65	MM0258841	CLAMP	1	5.66	
66	M05793-1	CLAMP	1	19.5	
67	MM0258495	RUBBER SKIRT	2	7.66	
68	MM0258674	CLAMP	4	5.63	
69	M05773-1	CLAMP	1	19.5	
70	MM0258846	CLAMP	2	5.519	
71	MM0258695	RUBBER SKIRT	2	7.55	
72	MM0265257	PLATE	5	10.46	
73	M01870-1	SCREW, ADJUSTING	2	1.25	
74	908962	COVERING PLATE	20	0.2	
75	707301906495	CASE	1	.454	
76	M09281	PLATE	1	1.3	
77	MM0259693	PLATE, RUBBER	2	2.05	
79	MM0274535	PLATE, PLASTIC	2		
80	MM0282783	SUPPORT WELDING	2	12.30	
81	704501390000	SCREW, HEXAGON SOCKET COUNTERSUNK HEAD	6	0.03	
82	MM0252790	ROLLER	1	2.8	
83	MM0252800	ROLLER	1	2.8	
84	N01530056	SCREW, HEXAGONAL	6	0.01	
85	N01626506	PLAIN WASHER	12	.01	
86	MM0282663	HOSE FASTENER	6	0.025	
87	704203927060	NUT, SELF-LOCKING	6	0.01	



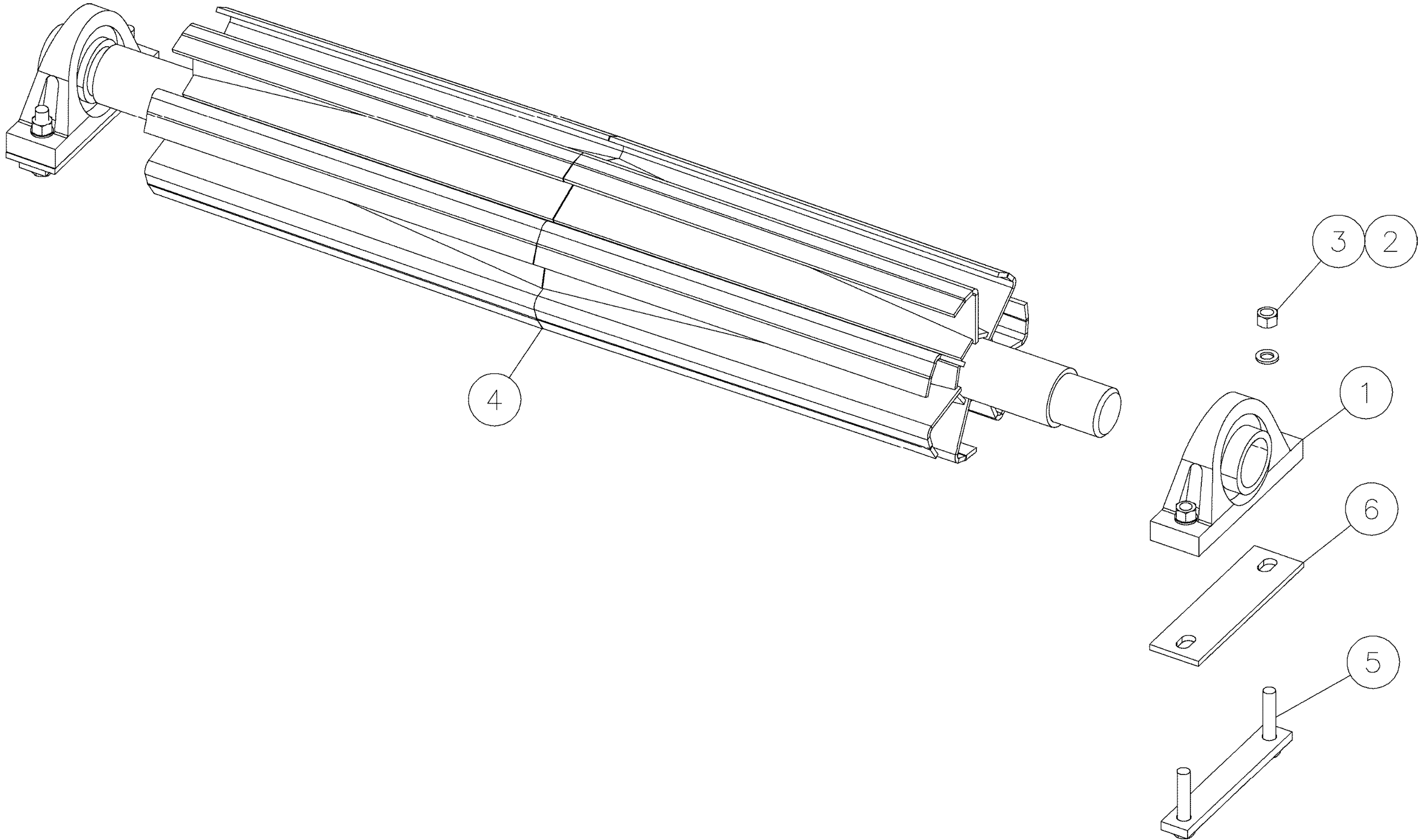
Pos.	Part No.	Description	Qty	Net Wght
1	M09205	BRACKET	1	7.6
2	M09206	FLAT BAR	1	2.4
3	7001570012	NUT, SELF-LOCKING	6	0.01
4	704006970000	PLAIN WASHER	12	0.01
5	N01530201	BOLT, HEXAGONAL	6	0.053
6	M09207	PLATE, RUBBER	1	1.7



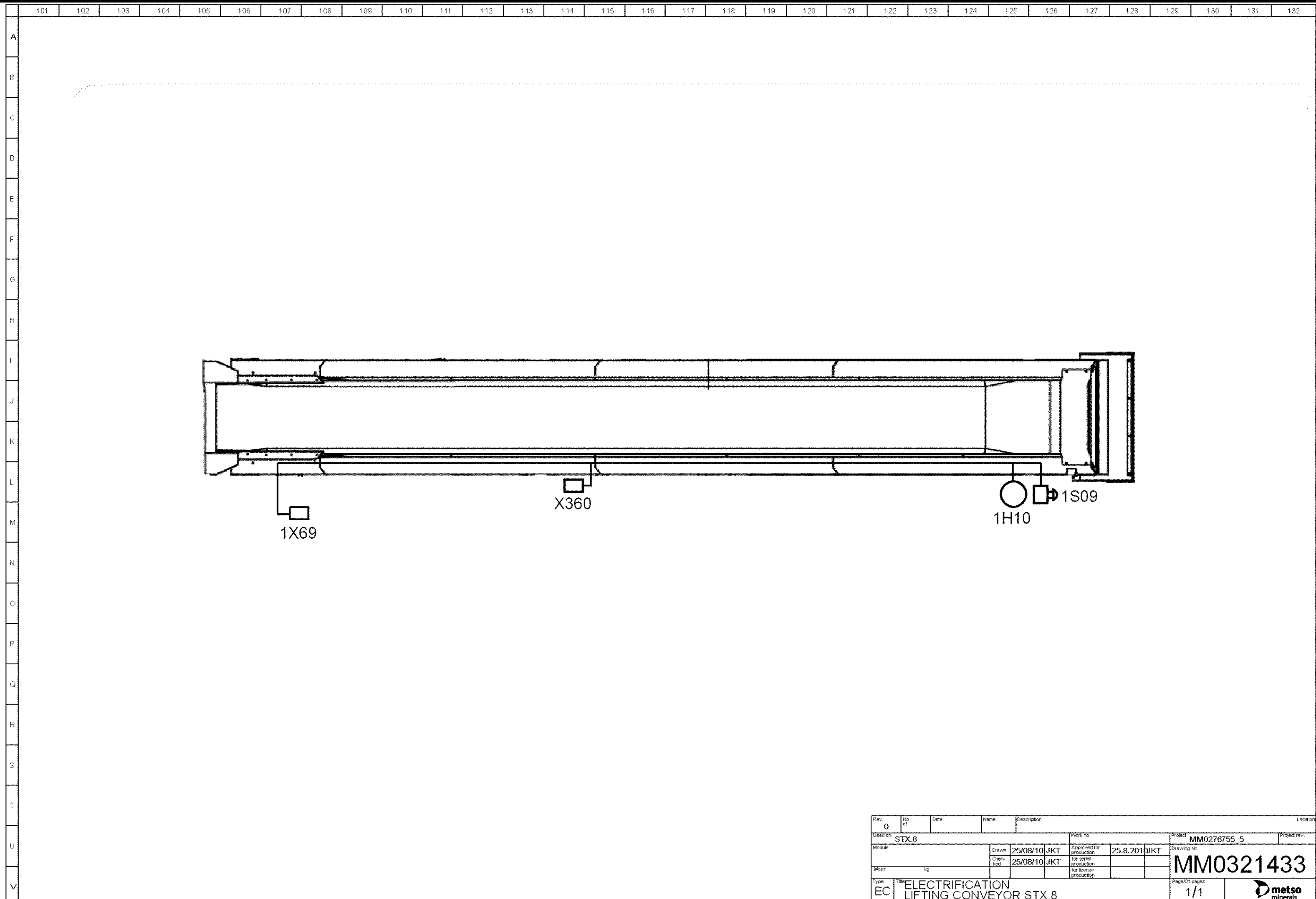
Pos.	Part No.	Description	Qty	Net Wght
1	M09014	BRACKET	1	15
2	M09012	SCRAPER RUBBER	1	7.4
3	M09013	CLAMP	1	2.5
4	N01626516	PLAIN WASHER	8	0.012
5	N01570900	NUT, LOCK	4	
6	N01530316	BOLT, HEXAGONAL	4	0.12



Pos.	Part No.	Description	Qty	Net Wght
1	MM0266166	BEARING UNIT	2	6.8
2	M09007	DRIVE PULLEY	1	147
3	N03460957	COUPLING ELEMENT	1	0.1
4	N03460956	COUPLING FLANGE	2	3.5
5	706201695960	HYDRAULIC MOTOR	1	24
6	7001570012	NUT, SELF-LOCKING	4	0.01
7	N01530139	BOLT, HEXAGONAL	4	0.03
8	N01530201	BOLT, HEXAGONAL	4	0.053
9	N01530333	BOLT, HEXAGONAL	4	0.23
10	N01530001	BOLT, HEXAGONAL	8	0.216
11	N01570210	NUT, SELF-LOCKING	4	0.0051
12	N01570216	NUT, HEXAGONAL	12	.196
13	N01626516	PLAIN WASHER	16	0.012
14	N01570220	JAM NUT, HEXAGONAL	8	0.06
15	M06228-1	MOTOR BRACKET	1	7.04
16	M06227-1	PLATE	2	1.6
17	N03239149	TAPERED SLEEVE	1	0.454
18	N03239907	TAPERED SLEEVE	1	0.907

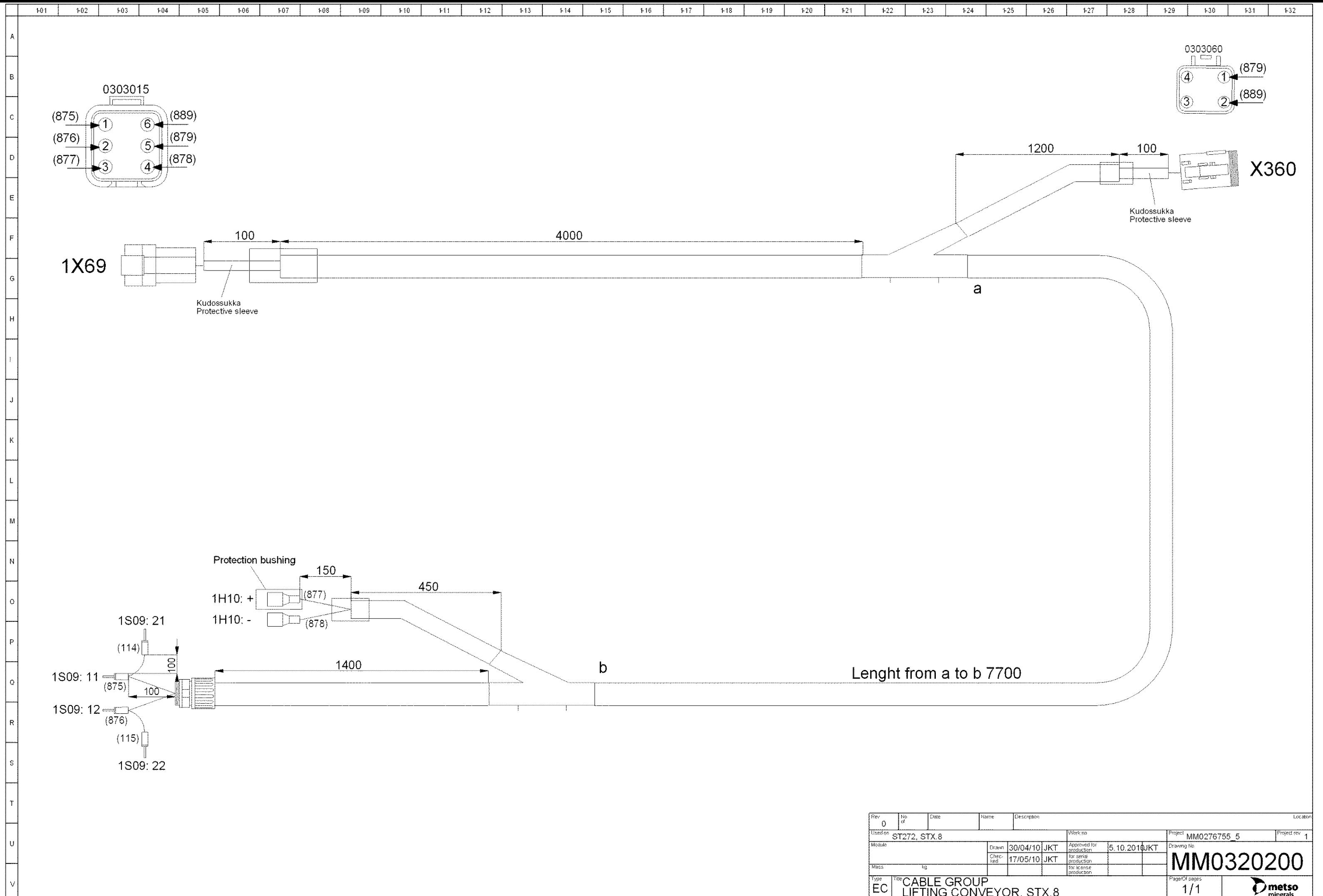


Pos.	Part No.	Description	Qty	Net Wght
1	MM0266173	BEARING UNIT	2	6.2
2	N01570216	NUT, HEXAGONAL	4	.196
3	N01626516	PLAIN WASHER	4	0.012
4	M09001	PULLEY	1	122
5	M09525	BEARING INSTALLATION	2	1.98
6	M01865-1	PLATE	2	.2



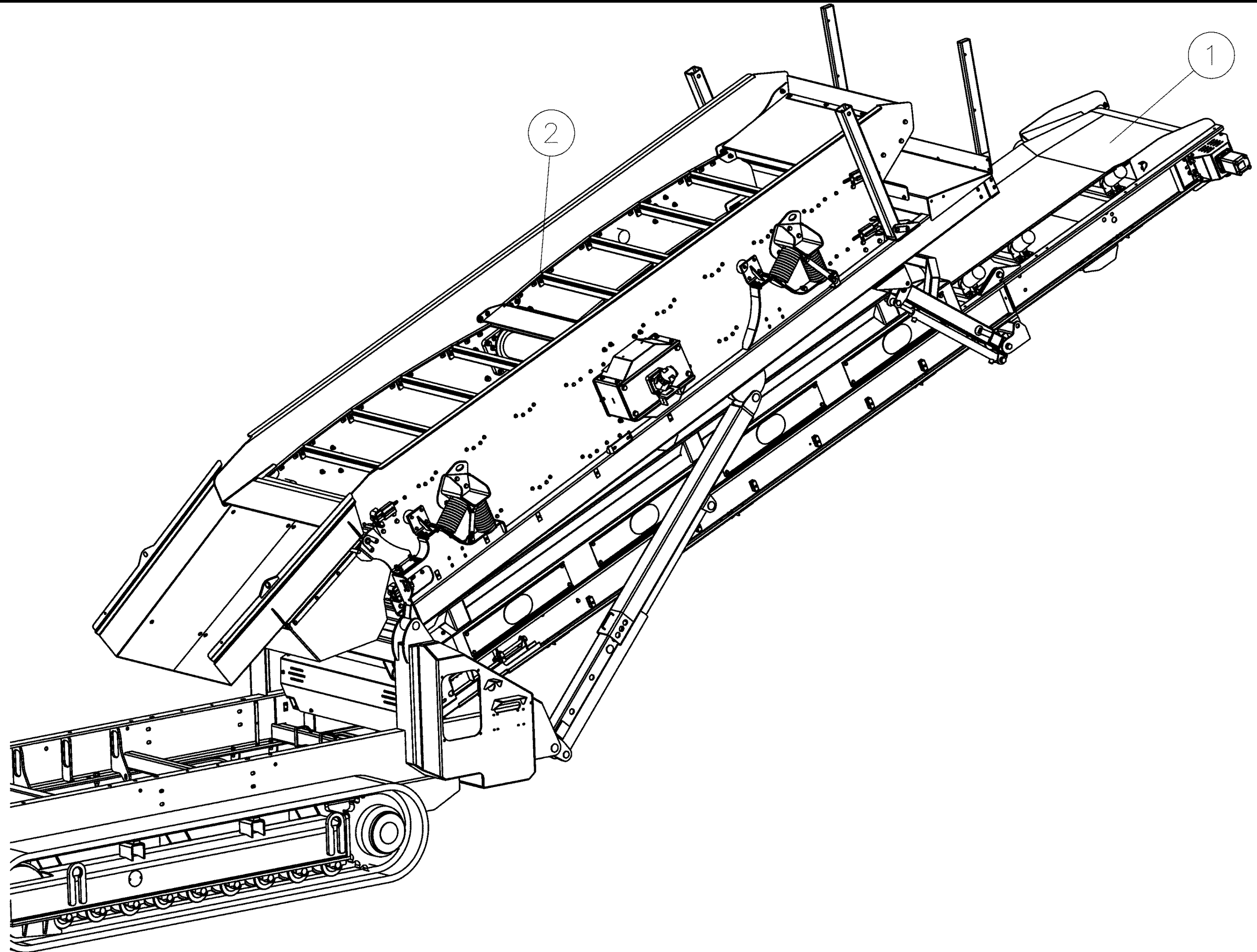
Rev.	No. of	Date	Name	Description	Location
0					
Used on		STX.8		Work no	
Module		Drawn	25/08/10	JKT	Approved for production
Mass		Checked	25/08/10	JKT	25.8.2010
Type		ELECTRIFICATION LIFTING CONVEYOR STX.8			Project
EC					MM0276755_5
				Drawing No	MM0321433
				Page/Of pages	1/1

Pos.	Part No.	Description	Qty	Page
1	MM0320200	CABLE GROUP	1	13



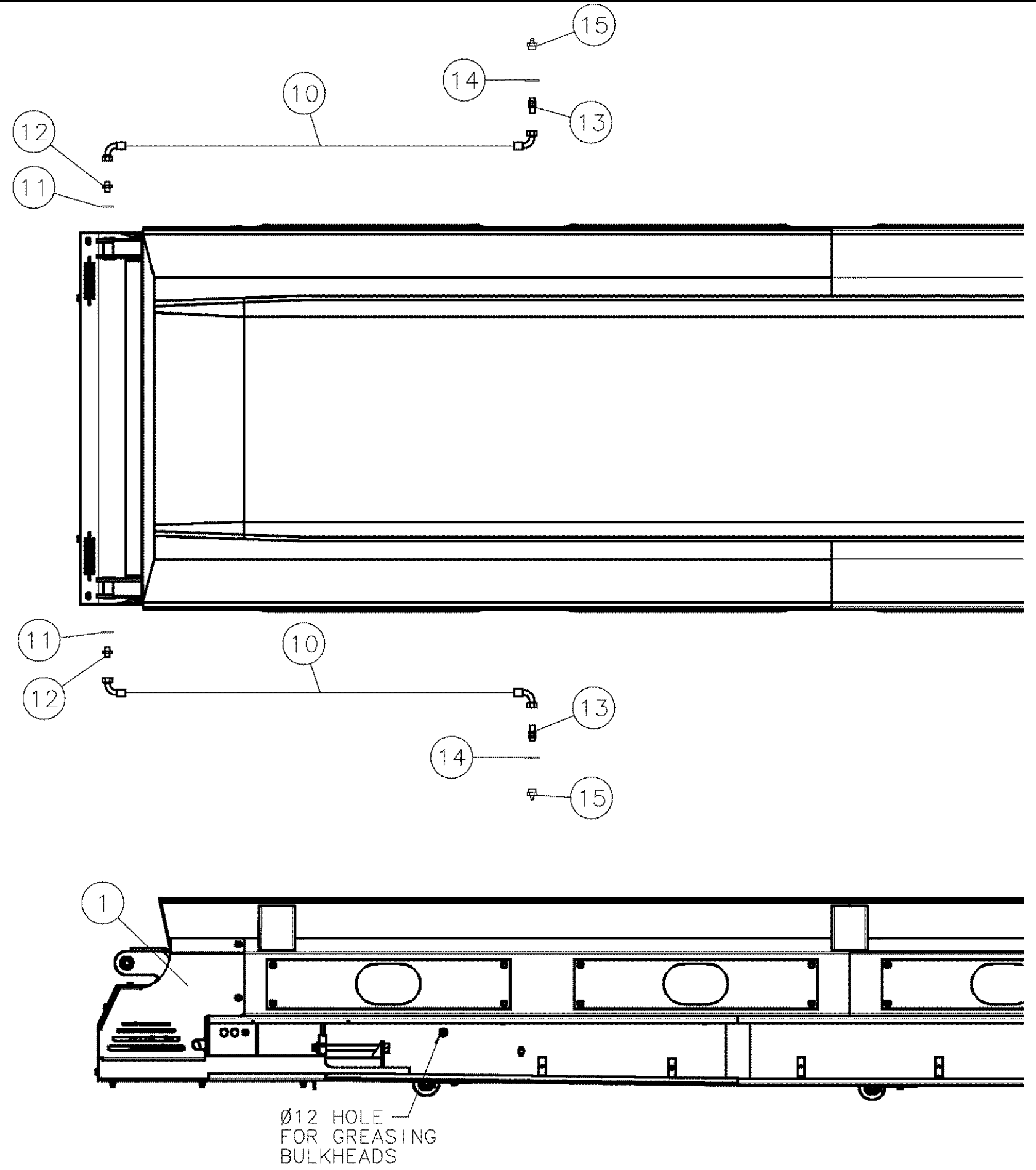
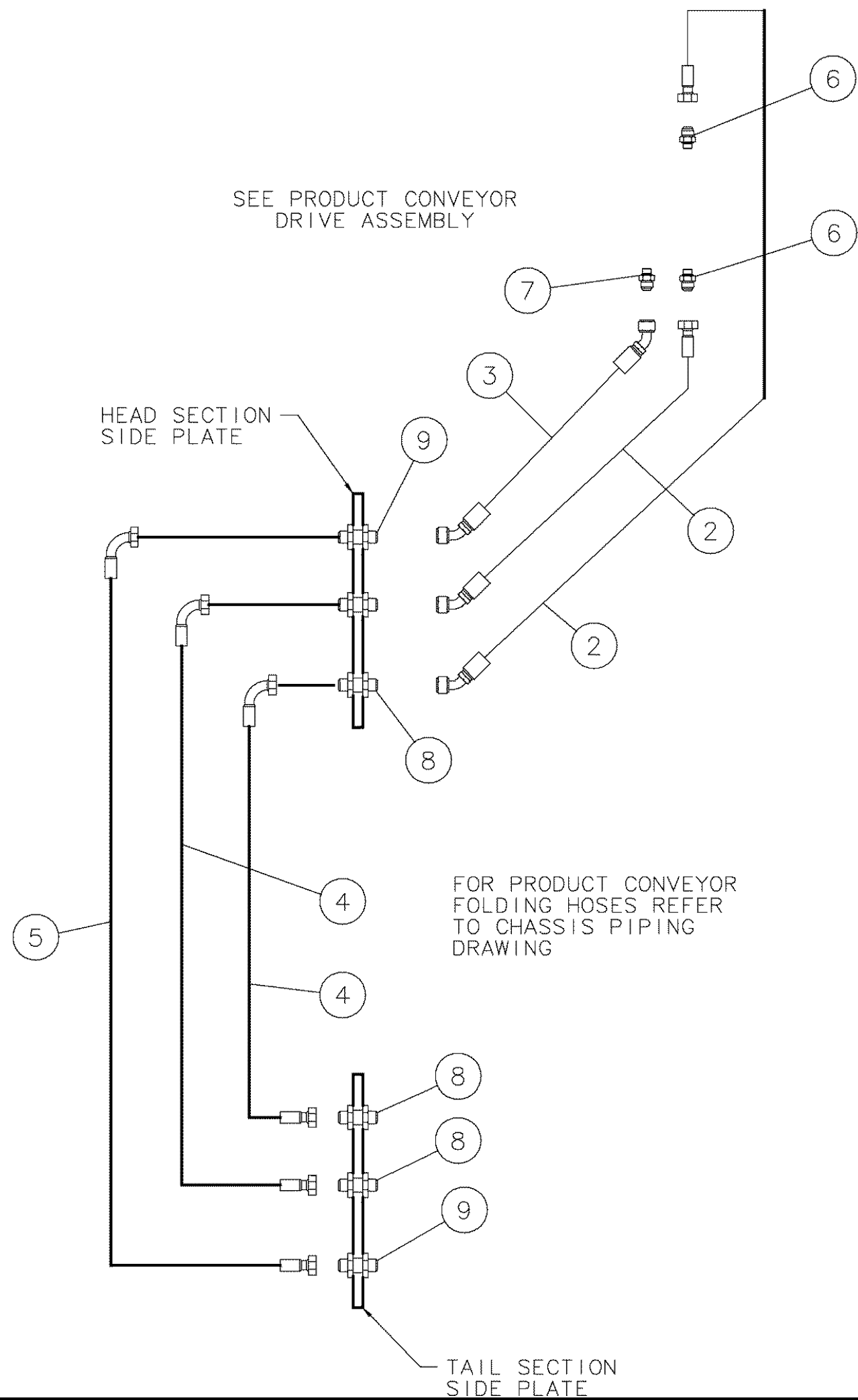
Rev	No	Date	Name	Description	Location
0					
Used on		ST272, STX.8		Work no	Project
Module		Drawn	30/04/10 JKT	Approved for production	5.10.2010 JKT
Mass		Checked	17/05/10 JKT	for serial production	
Type		CABLE GROUP LIFTING CONVEYOR, STX.8			Pages/Of pages
EC					1/1

Pos.	Part No.	Description	Qty	Net Wght
1H10	707300714000	CONNECTION	2	
	707402075913	PROTECTION BUSHING	1	
1S09	707301875300	TERMINAL BUSHING	2	.01
	707301875400	TERMINAL BUSHING	2	.01
1X69	N11449813	SOCKET	1	.01
X360	N11449656	PLUG	1	0.113

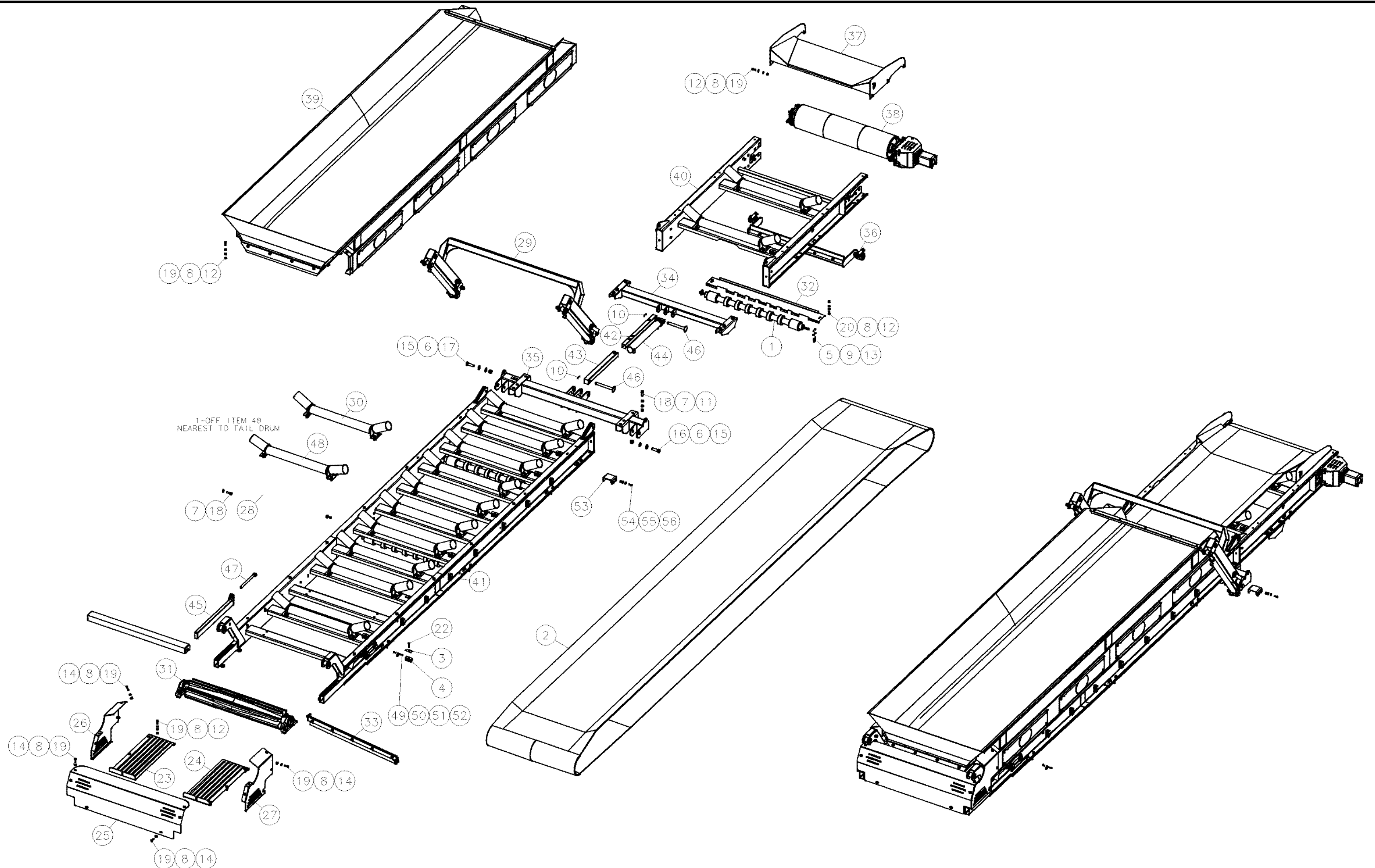




Pos.	Part No.	Description	Qty	Net Wght	Page
1	M11448	ASSEMBLY	1		15
2	M11449	SCREEN INSTALLATION	1	4452.46	27

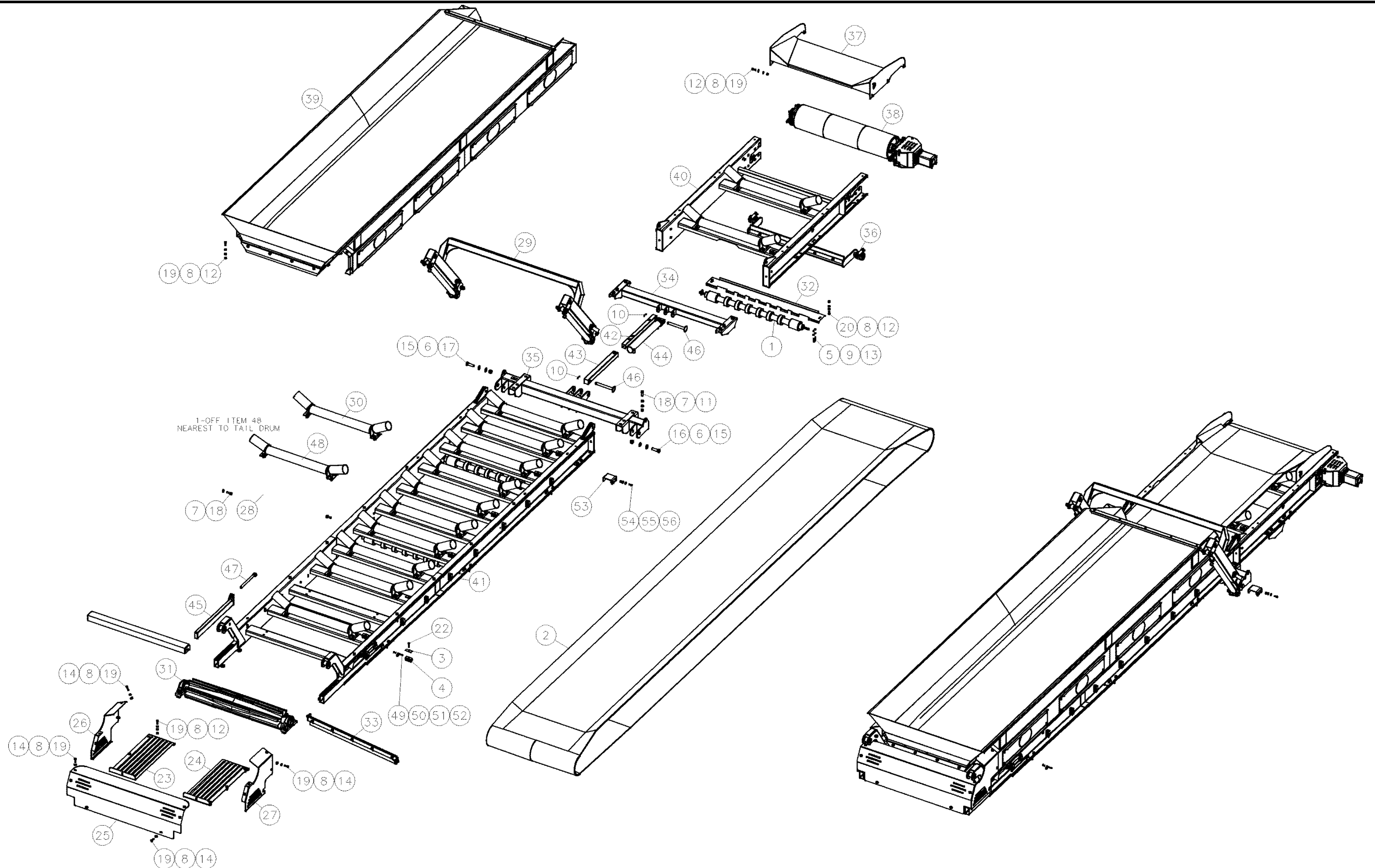


Pos.	Part No.	Description	Qty	Net Wght	Page
1	M11353	ASSEMBLY	1	3097.16	16
2	N44460593	HYDRAULIC HOSE	2	1.19	
3	N44460594	HYDRAULIC HOSE	1		
4	MM0204646	HYDRAULIC HOSE	2	5.95	
5	MM0204647	HYDRAULIC HOSE	1	3.68	
6	706300790069	CONNECTION	2	0.11	
7	N02407170	CONNECTION	1	0.148	
8	706300790590	CONNECTION	4	0.4	
9	706300790585	CONNECTION	2	0.15	
10	MM0241226	GREASE HOSE	2	.3	
11	MM0242756	SEAL	2	0.01	
12	MM0242794	HYDRAULIC FITTING	2	0.3	
13	MM0242793	HYDRAULIC FITTING	2		
14	N02125889	WIRE MARKER	2		
15	N02122100	GREASE NIPPLE	2	0.008	

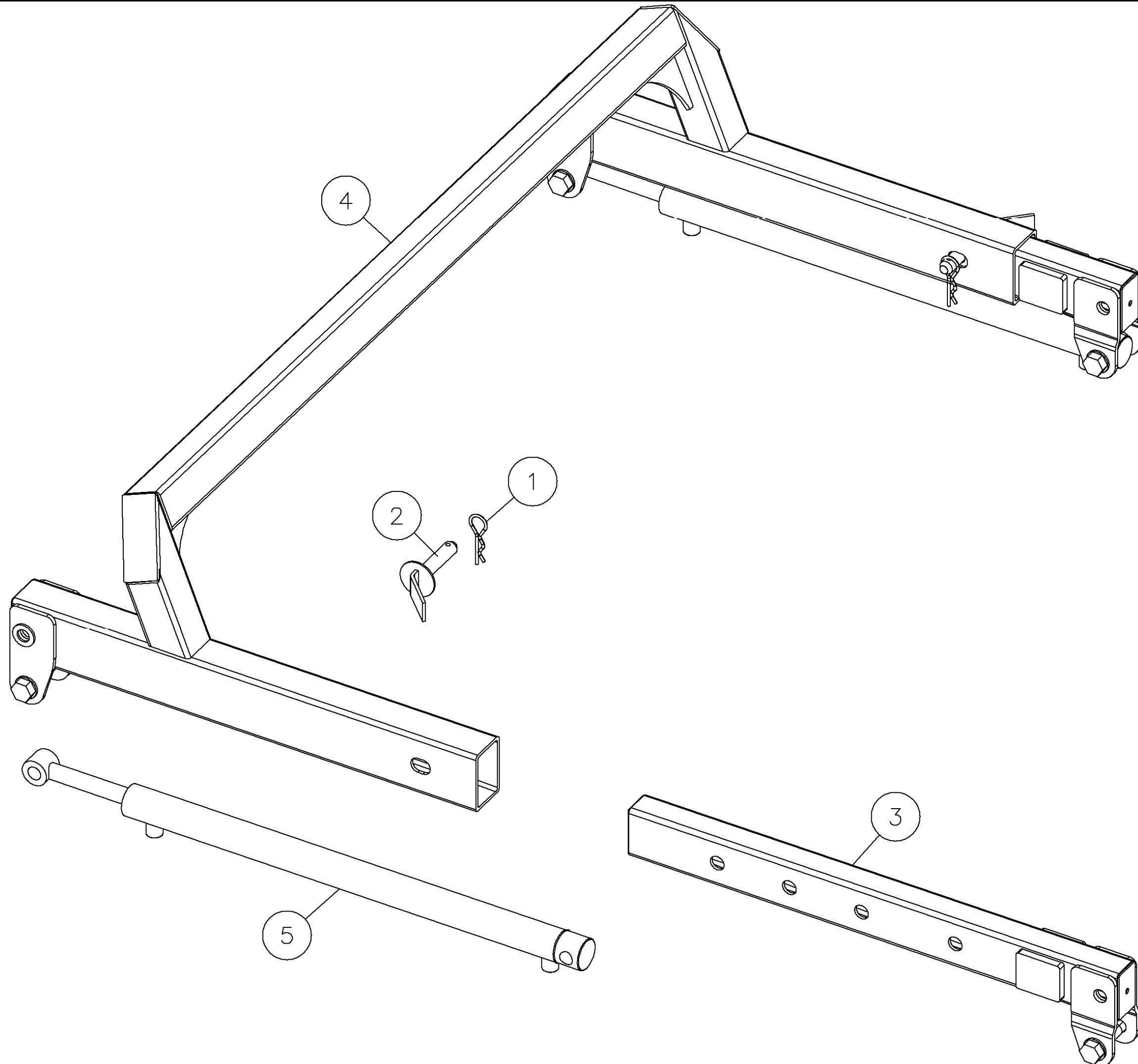




Pos.	Part No.	Description	Qty	Net Wght	Page
1	MM0264889	RETURN ROLLER	4	11.2	
2	MM0264582	CONVEYOR BELT, ENDLESS	1	249	
3	N02118994	COVERING PLATE	21	0.1	
4	N02118905	FASTENER PAIR	21	.2	
5	N01841013	U-BOLT	8	0.05	
6	704007190000	PLAIN WASHER	8	0.03	
7	N01626516	PLAIN WASHER	26	0.012	
8	704006970000	PLAIN WASHER	67	0.01	
9	N01626508	PLAIN WASHER	19	0.013	
10	N01616900	SPRING PIN	2	.01	
11	N01570216	NUT, HEXAGONAL	12	.196	
12	7001570012	NUT, SELF-LOCKING	30	0.01	
13	704203927080	NUT, SELF-LOCKING	19	0.0056	
14	N01565050	NUT	10	0.023	
15	N01565003	NUT, HEXAGONAL	4	0.094	
16	N01530550	BOLT, HEXAGONAL	2	0.7	
17	N01530524	BOLT, HEXAGONAL	2	0.39	
18	N01530313	BOLT, HEXAGONAL	18	0.11	
19	N01530199	BOLT, HEXAGONAL	32	0.05	
20	N01530194	SCREW, HEXAGONAL	8	0.037	
22	N01530113	BOLT, HEXAGONAL	21	0.02	
23	M09582	GUARD	1	12.00	
24	M09581	GUARD	1	12.00	
25	M09580	GUARD	1	20.8	
26	M09579	GUARD	1	9.72	
27	M09578	GUARD	1	9.72	
28	M09575	CROSS BEAM ASSEMBLY	1	21.26	
29	M11438	SUPPORT ASSEMBLY	1	106.27	17
30	MM0267848	ROLLER ASSEMBLY	13	17	19
31	M09506	DRUM	1	134.63	20
32	MM0265144	PLATE	4	6.38	
33	M09485	SCRAPER ASSEMBLY	1	11.81	21
34	M09483	LIFTING BEAM	1	34.60	
35	M09476	SUPPORT ASSEMBLY	1	75.70	
36	M09469	SCRAPER ASSEMBLY	1	28.5	22
37	M09459	BELT GUARD ASSEMBLY	1	42.37	
38	MM0215774	DRIVE DEVICE	1	212.64	23
39	M11354	ASSEMBLY	1	530	24
40	MM0215766	CONVEYOR FRAME	1	132.50	
41	M11364	FRAME SECTION	1	470.22	
42	M08818	TRANSPORT SUPPORT	1	4.68	
		CONTINUES ON THE NEXT PAGE			16-2

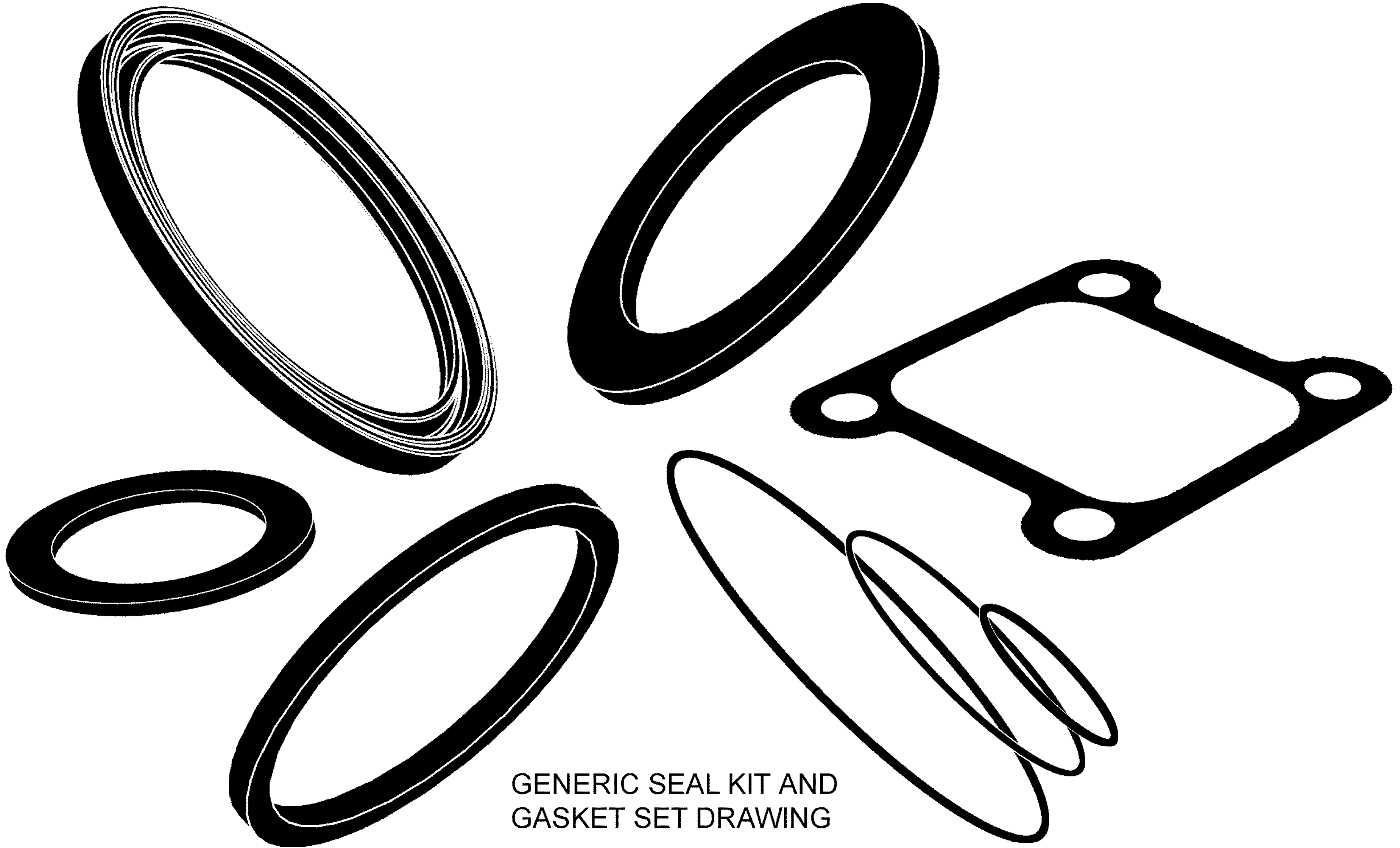


Pos.	Part No.	Description	Qty	Net Wght	Page
		STARTED ON THE PREVIOUS PAGE			16
43	M08815	TRANSPORT SUPPORT	1	3.38	
44	MM0237484	HYDRAULIC CYLINDER	1	14	25
45	M06397-1	ADJUSTING SUPPORT	2	6.19	
46	M04848-58	PIN	2	1.15	
47	M01870-1	SCREW, ADJUSTING	2	1.361	
48	MM0267847	ROLLER ASSEMBLY	1	17	26
49	N01530056	SCREW, HEXAGONAL	4	0.01	
50	N01626506	PLAIN WASHER	8	.01	
51	MM0282663	HOSE FASTENER	4	0.025	
52	704203927060	NUT, SELF-LOCKING	4	0.01	
53	MM0239523	BRACKET	1	0.99	
54	N01570210	NUT, SELF-LOCKING	2	0.0051	
55	N01530139	BOLT, HEXAGONAL	2	0.03	
56	N01626510	PLAIN WASHER	4	0.1	





Pos.	Part No.	Description	Qty	Net Wght	Page
1	706303524110	SPRING PIN	2	0.035	
2	M04849-45	PIN	2	1.25	
3	M11439	SUPPORT	2	17.25	
4	M11440	SUPPORT	1	69.54	
5	MM0237489	HYDRAULIC CYLINDER	2	14	18

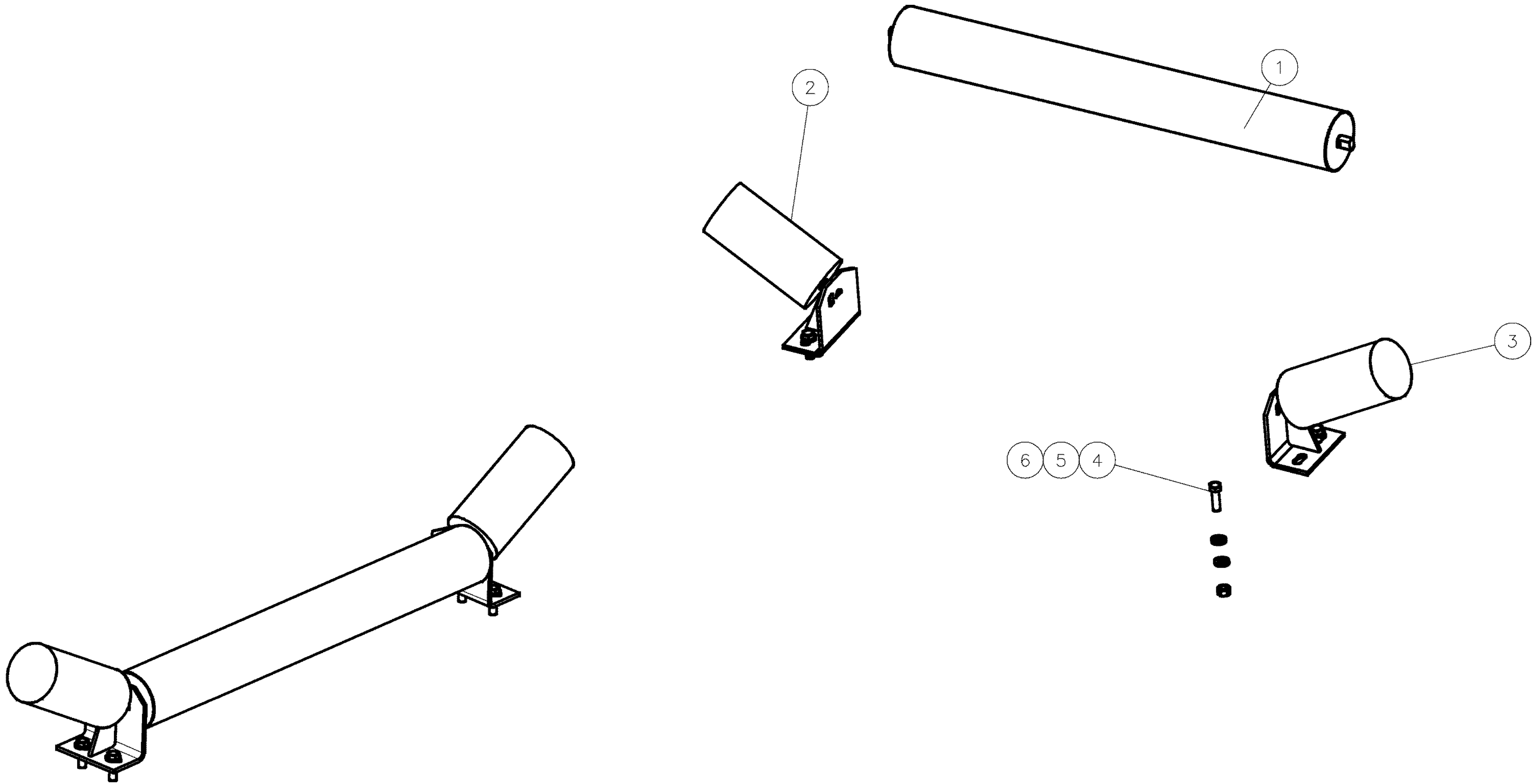


GENERIC SEAL KIT AND
GASKET SET DRAWING

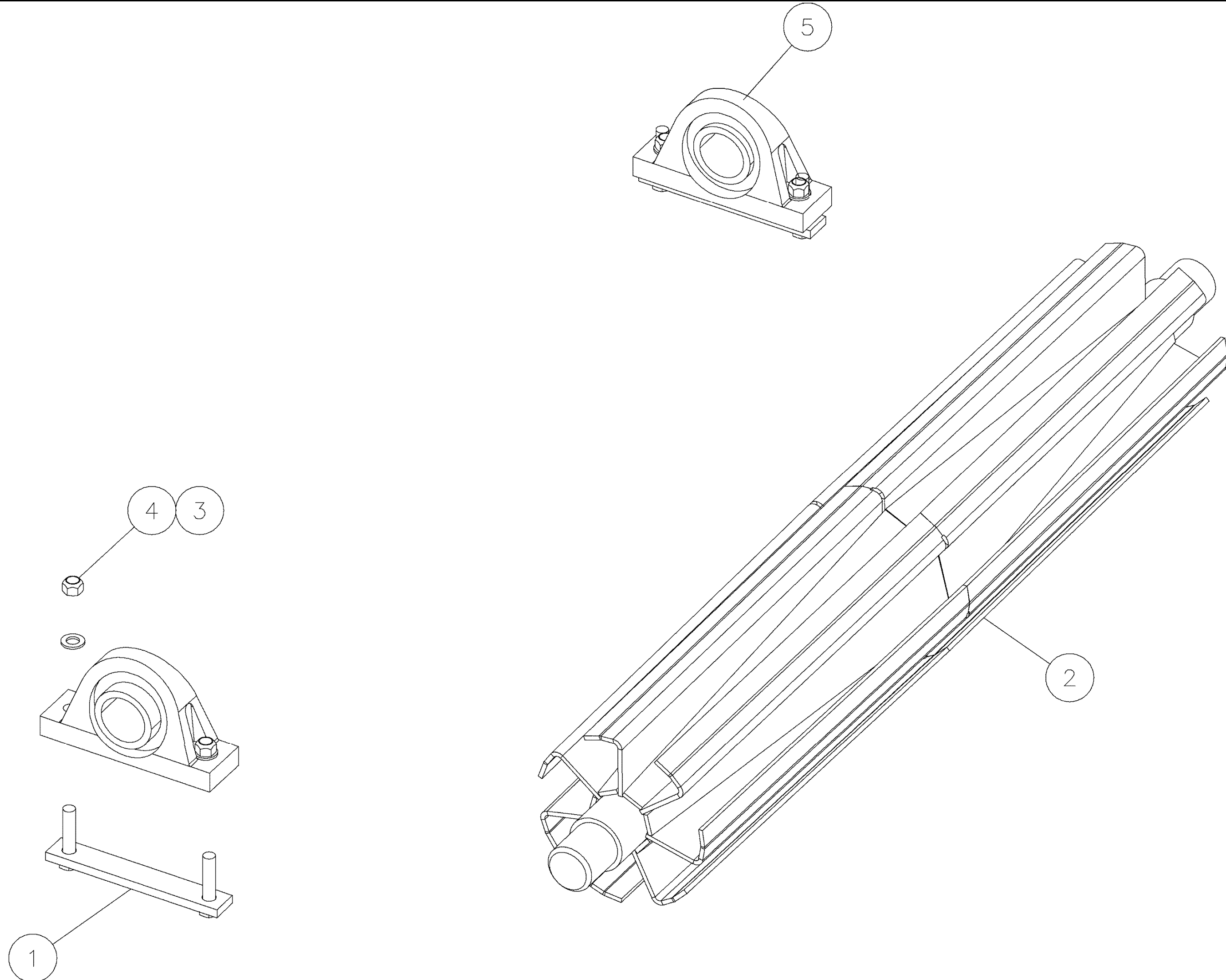


Lokotrack ST3.8 s/n 76292
MM0237489_0 HYDRAULIC CYLINDER

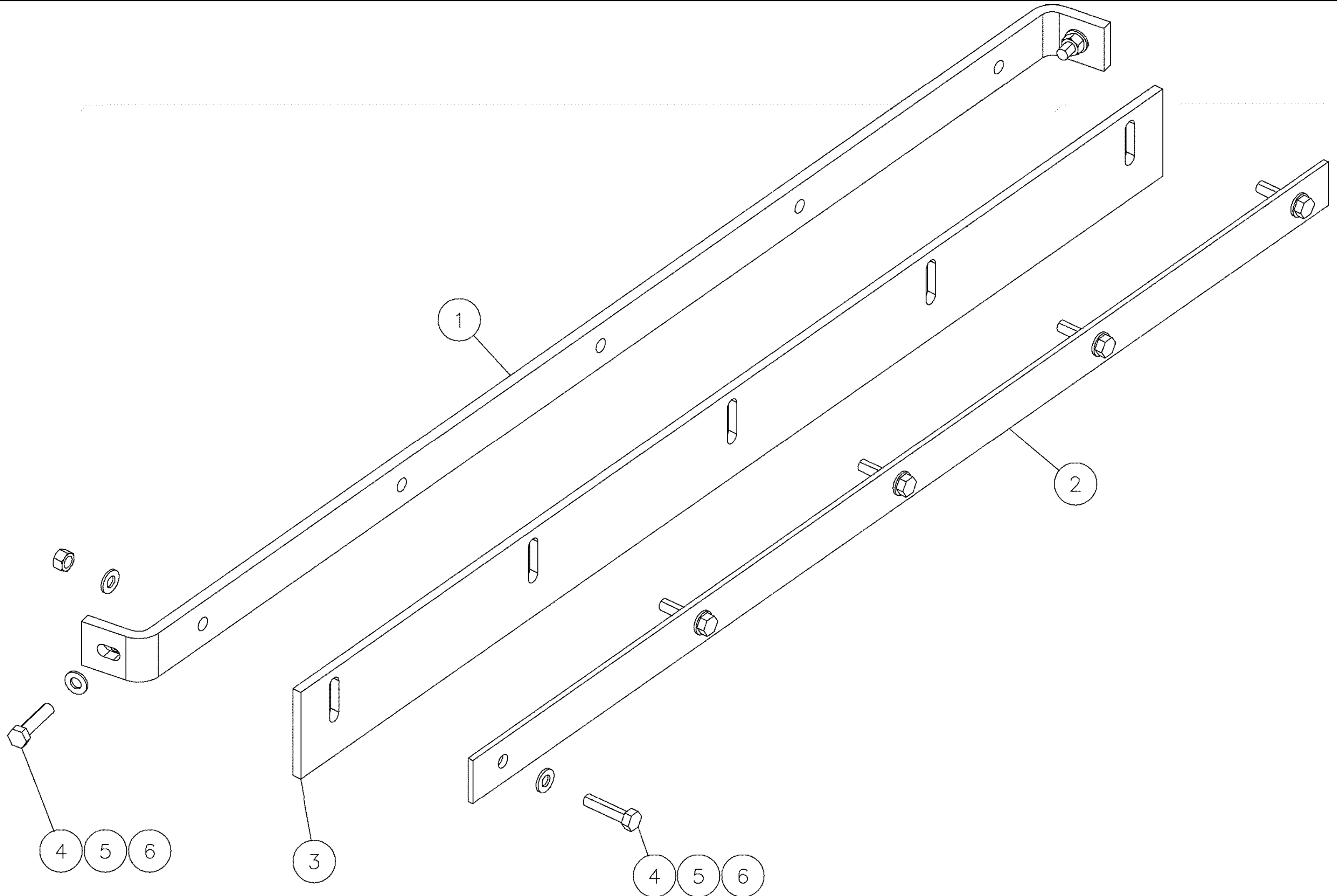
Pos.	Part No.	Description	Qty	Net Wght
0	N02471022	SEAL KIT	1	0.1



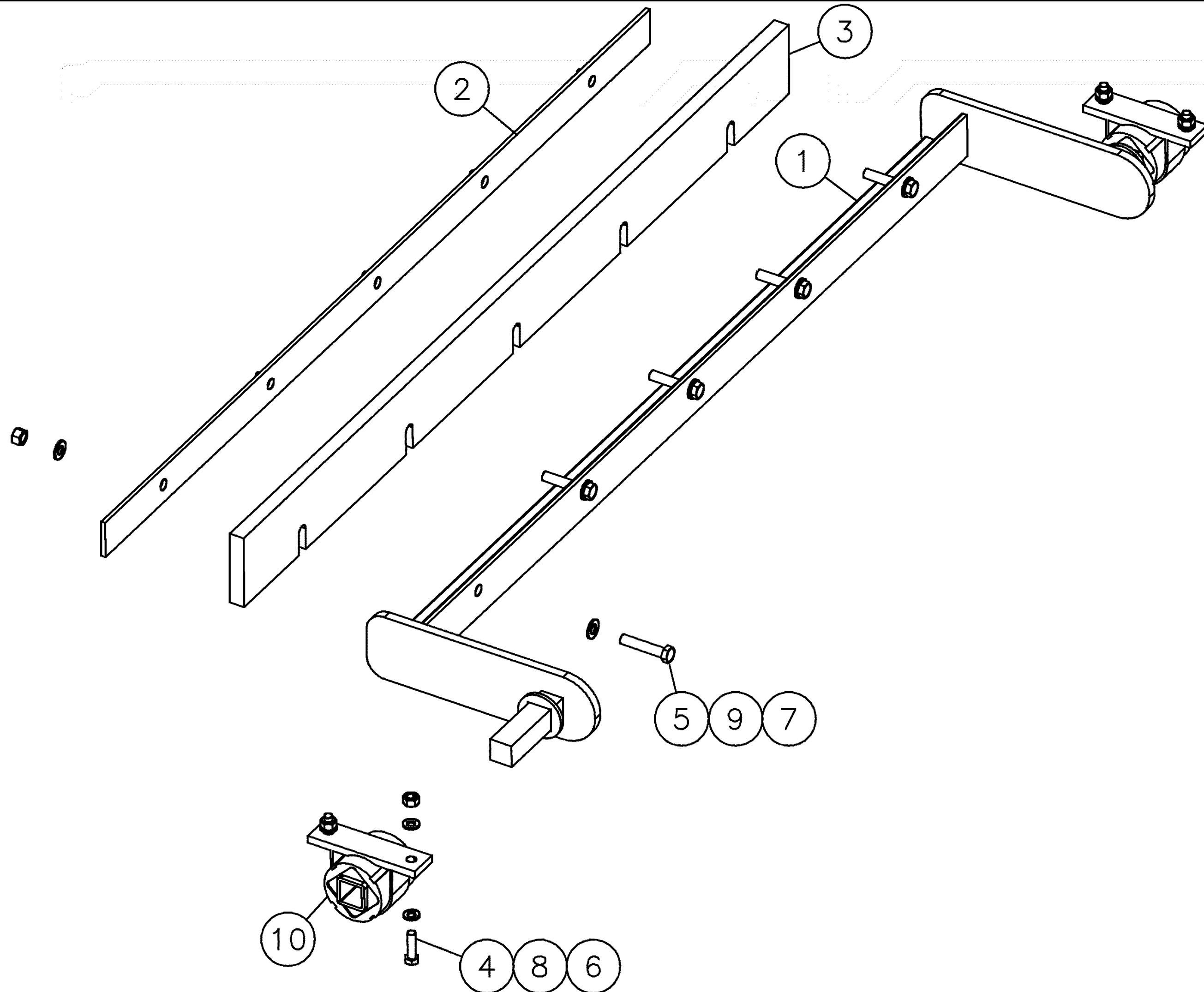
Pos.	Part No.	Description	Qty	Net Wght
1	MM0281938	ROLLER	1	8.44
2	MM0253176	ROLLER	1	2.8
3	MM0253190	ROLLER	1	2.8
4	7001570012	NUT, SELF-LOCKING	4	0.01
5	704006970000	PLAIN WASHER	8	0.01
6	N01530199	BOLT, HEXAGONAL	4	0.05



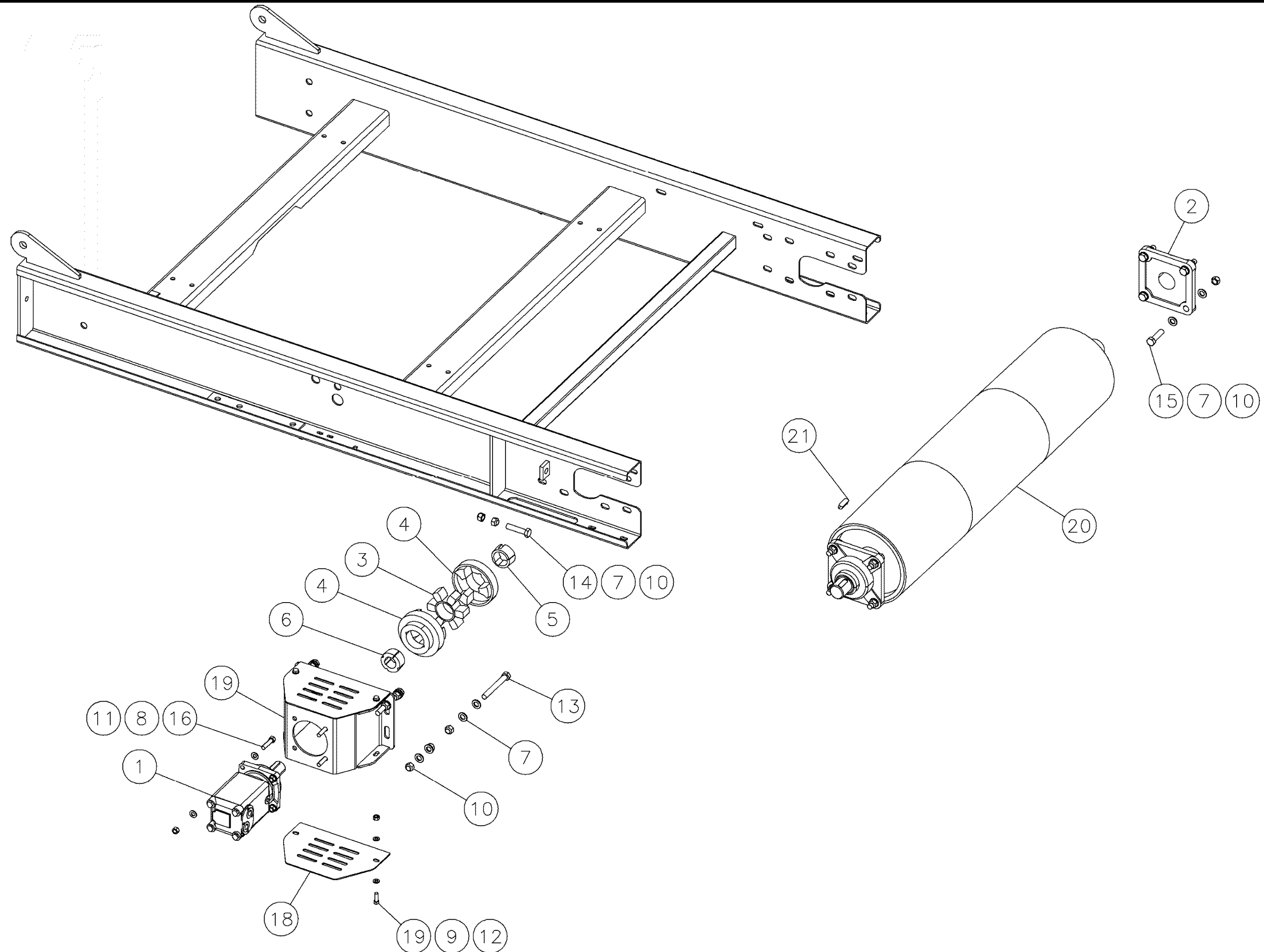
Pos.	Part No.	Description	Qty	Net Wght
1	M09525	BEARING INSTALLATION	2	1.98
2	M09505	DRUM	1	130.5
3	N01626516	PLAIN WASHER	4	0.012
4	N01570216	NUT, HEXAGONAL	4	.196
5	MM0266173	BEARING UNIT	2	6.2



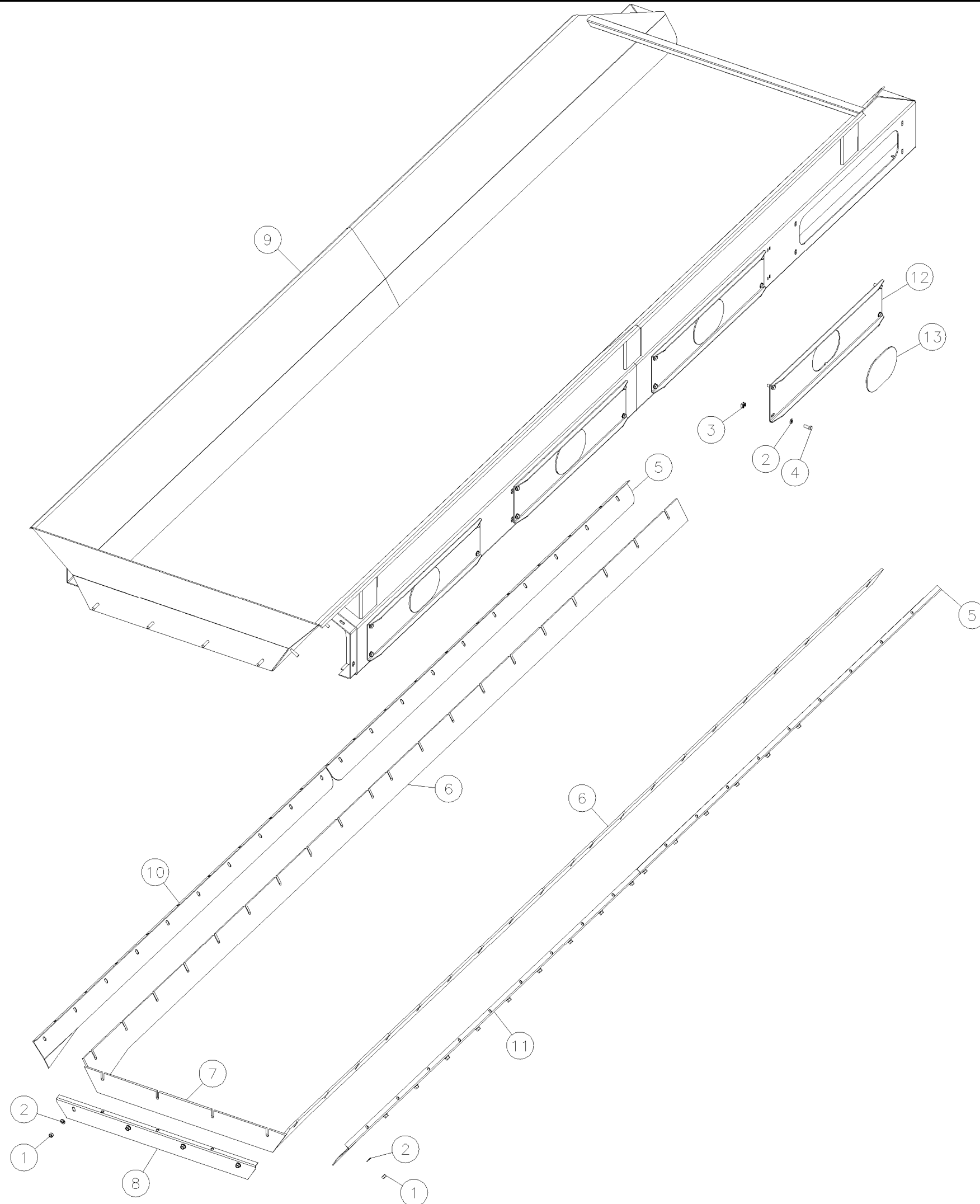
Pos.	Part No.	Description	Qty	Net Wght
1	M09486	SCRAPER PLATE	1	6.80
2	M09488	SCRAPER PLATE	1	2.99
3	M09487	SCRAPER RUBBER	1	1.16
4	N01530204	SCREW, HEXAGONAL	7	0.05
5	7001570012	NUT, SELF-LOCKING	7	0.01
6	704006970000	PLAIN WASHER	14	0.01



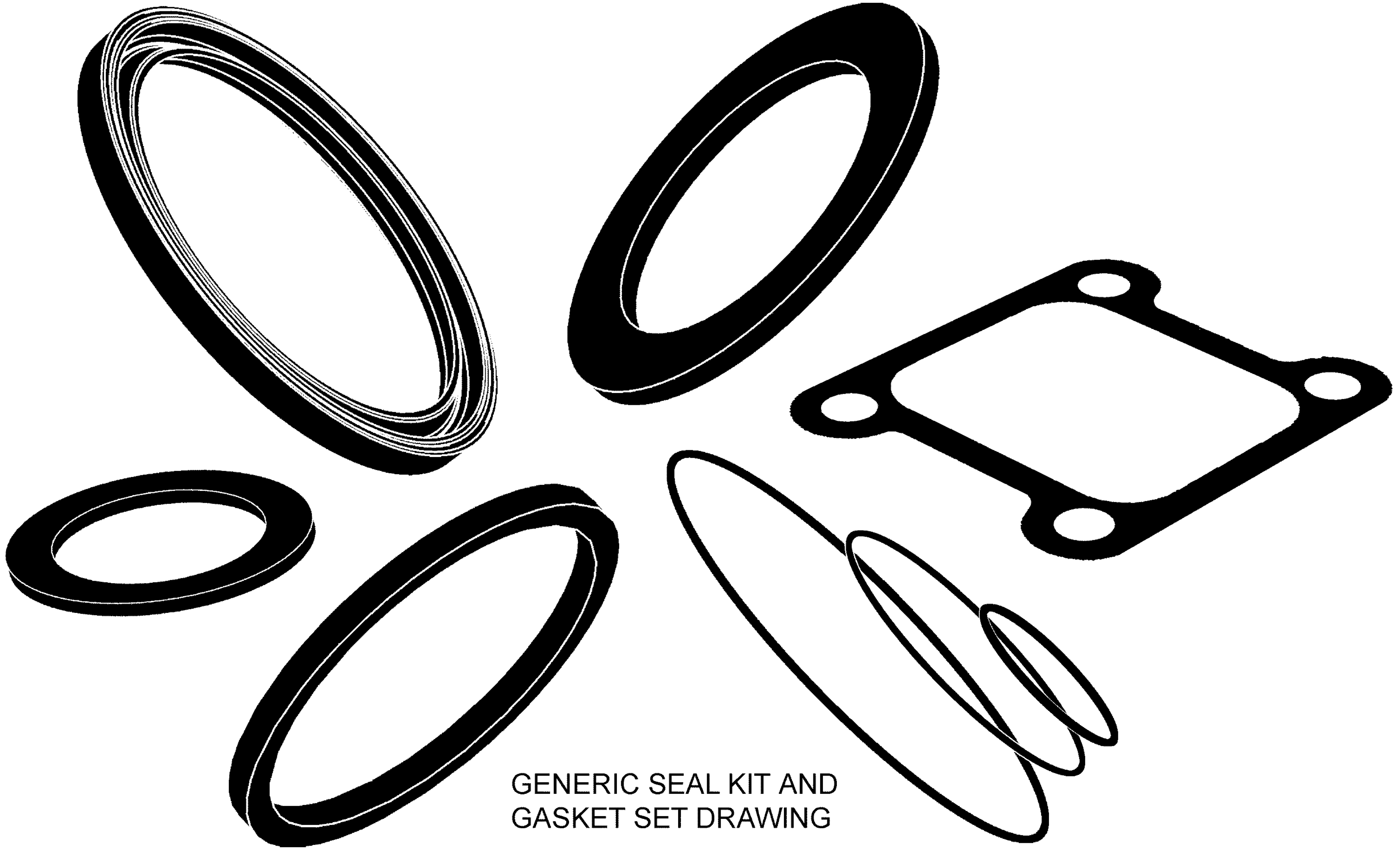
Pos.	Part No.	Description	Qty	Net Wght
1	M09470	SCRAPER ASSEMBLY	1	16.13
2	M09472	SCRAPER PLATE	1	2.95
3	M09473	SCRAPER RUBBER	1	8.7
4	N01530140	SCREW, HEXAGONAL	4	0.03
5	N01530206	BOLT, HEXAGONAL	5	0.067
6	N01570210	NUT, SELF-LOCKING	4	0.0051
7	7001570012	NUT, SELF-LOCKING	5	0.01
8	N01626510	PLAIN WASHER	8	0.1
9	704006970000	PLAIN WASHER	10	0.01
10	N04205907	VIBRATION DAMPER	2	1.3
*	M11187	ADJUSTMENT PIECE	1	0.726



Pos.	Part No.	Description	Qty	Net Wght
1	706201695960	HYDRAULIC MOTOR	1	24
2	MM0266166	BEARING UNIT	2	6.8
3	N03460957	COUPLING ELEMENT	1	0.1
4	N03460956	COUPLING FLANGE	2	3.5
5	N03239907	TAPERED SLEEVE	1	0.907
6	N03239149	TAPERED SLEEVE	1	0.454
7	N01626516	PLAIN WASHER	32	0.012
8	704006970000	PLAIN WASHER	8	0.01
9	N01626510	PLAIN WASHER	8	0.1
10	N01570216	NUT, HEXAGONAL	22	.196
11	7001570012	NUT, SELF-LOCKING	4	0.01
12	N01570210	NUT, SELF-LOCKING	4	0.0051
13	N01530333	BOLT, HEXAGONAL	4	0.23
14	N01530321	BOLT, HEXAGONAL	2	0.139
15	N01530316	BOLT, HEXAGONAL	8	0.12
16	N01530204	SCREW, HEXAGONAL	4	0.05
17	N01530139	BOLT, HEXAGONAL	4	0.03
18	M09458	COVER PLATE	2	1.34
19	M06228-1	MOTOR BRACKET	1	7.04
20	M09139	DRIVE DRUM	1	160.72



Pos.	Part No.	Description	Qty	Net Wght
1	7001570012	NUT, SELF-LOCKING	44	0.01
2	704006970000	PLAIN WASHER	76	0.01
3	N01565050	NUT	32	0.023
4	N01530194	SCREW, HEXAGONAL	32	0.037
5	M11360	CLAMP	2	7.99
6	M11362	RUBBER	2	5.92
7	M09491	RUBBER SKIRT	1	1.12
8	M09490	CLAMP	1	3.09
9	M11355	FEED HOPPER	1	320.45
10	M08442	CLAMP FASTENER	1	7.95
11	M08441	CLAMP FASTENER	1	7.95
12	M08439	SUPPORT PLATE	8	7.1
13	908962	COVERING PLATE	8	0.2

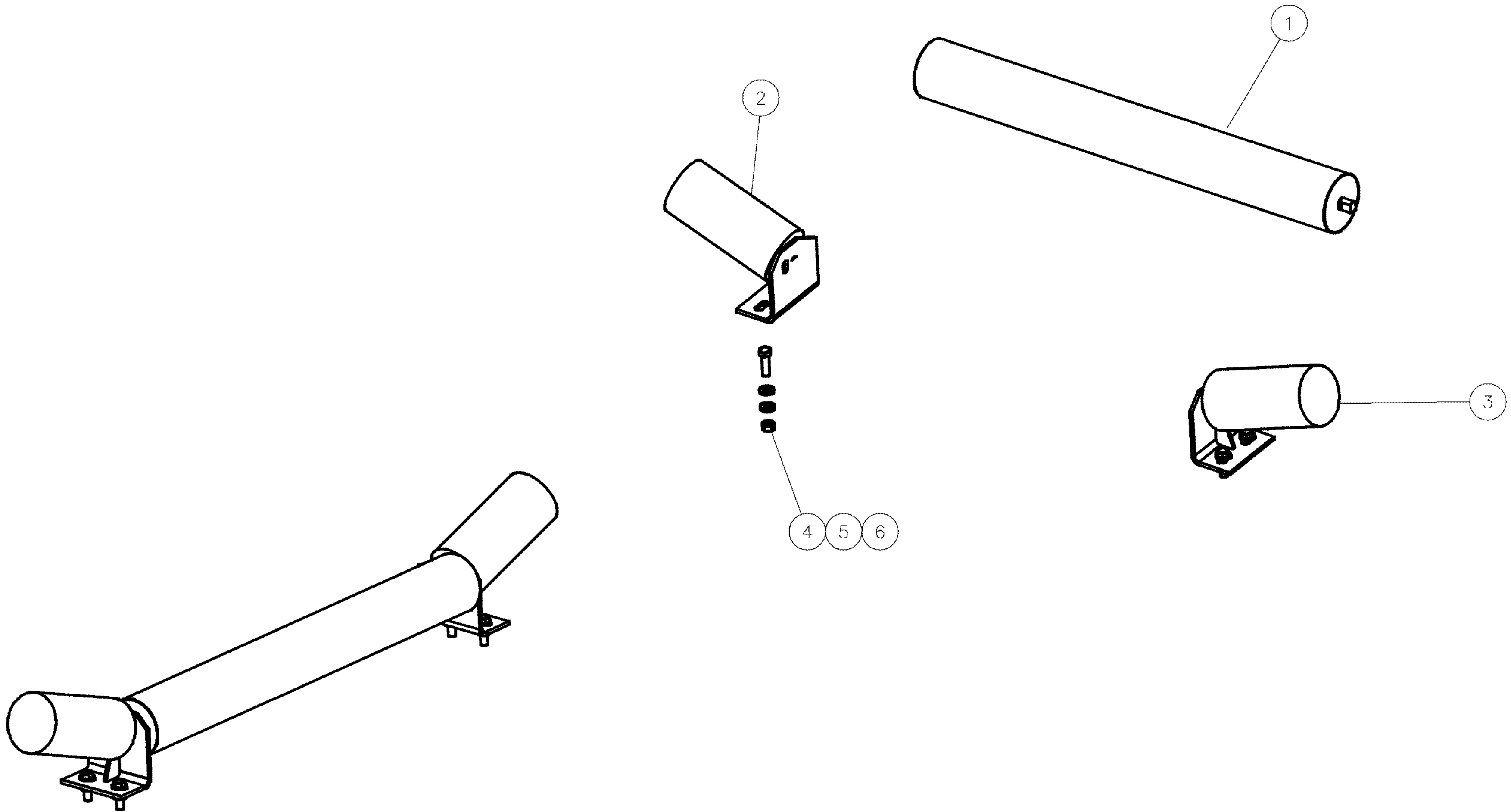


GENERIC SEAL KIT AND
GASKET SET DRAWING

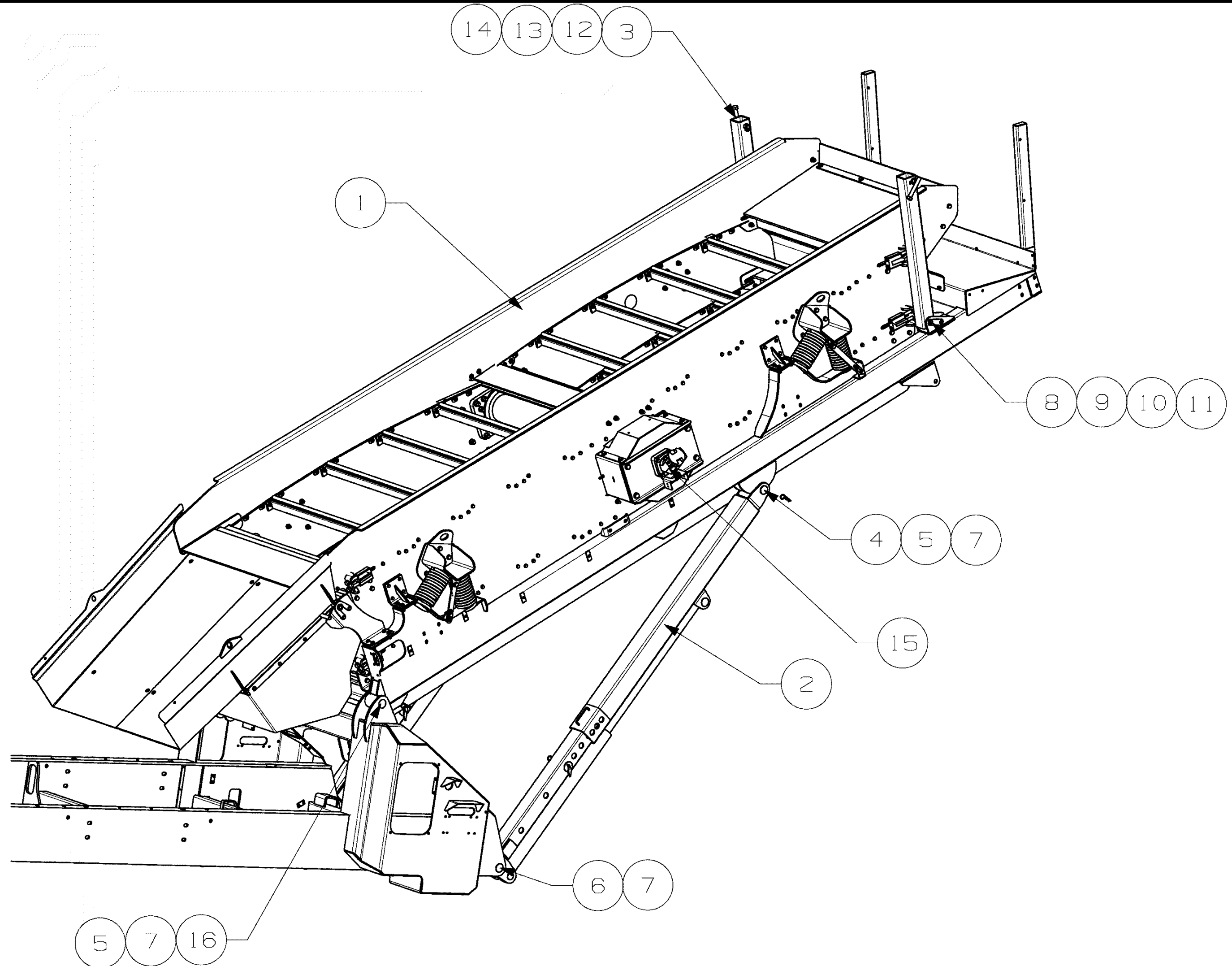


Lokotrack ST3.8 s/n 76292
MM0237484_0 HYDRAULIC CYLINDER

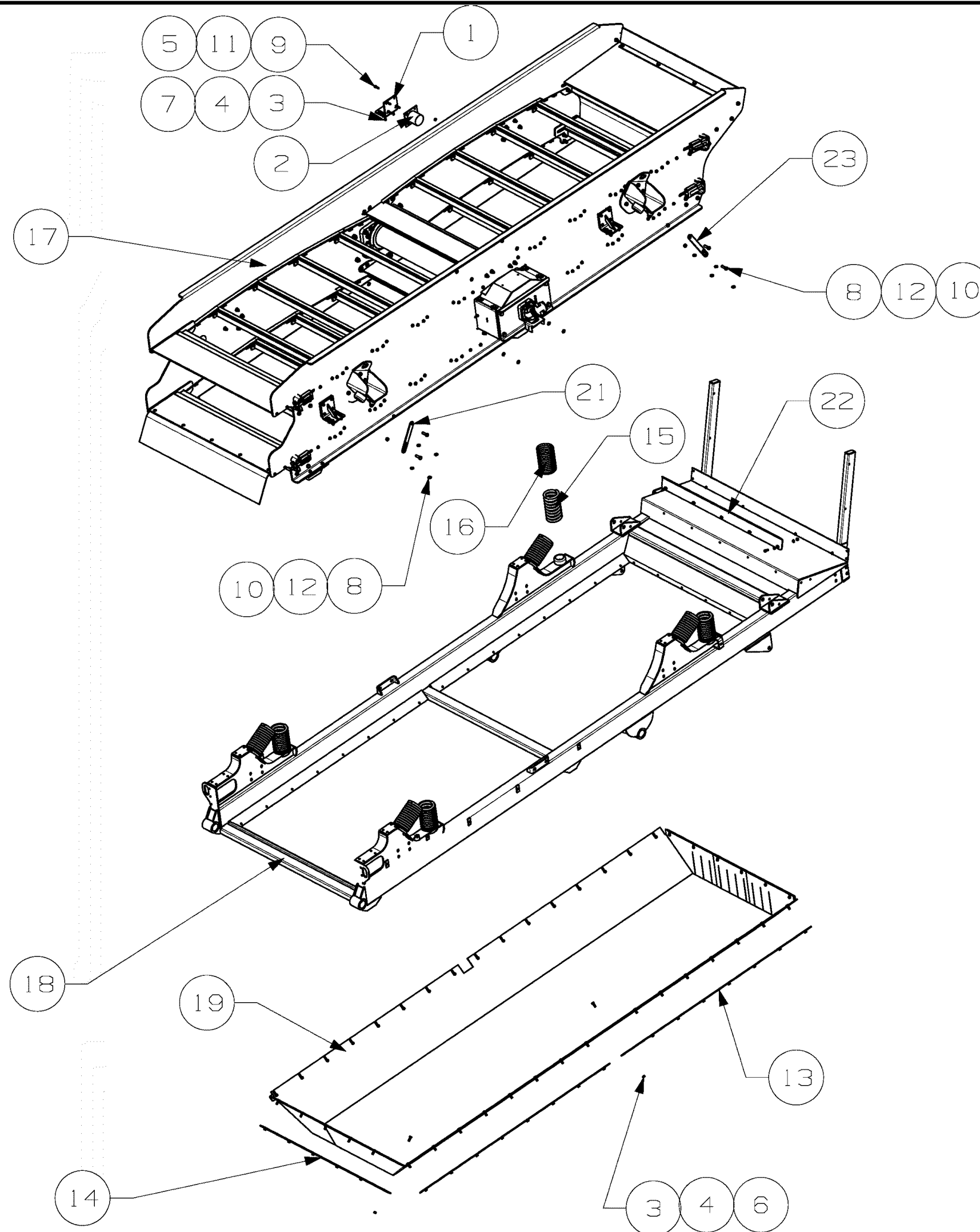
Pos.	Part No.	Description	Qty	Net Wght
0	N02471021	SEAL KIT	1	0.08



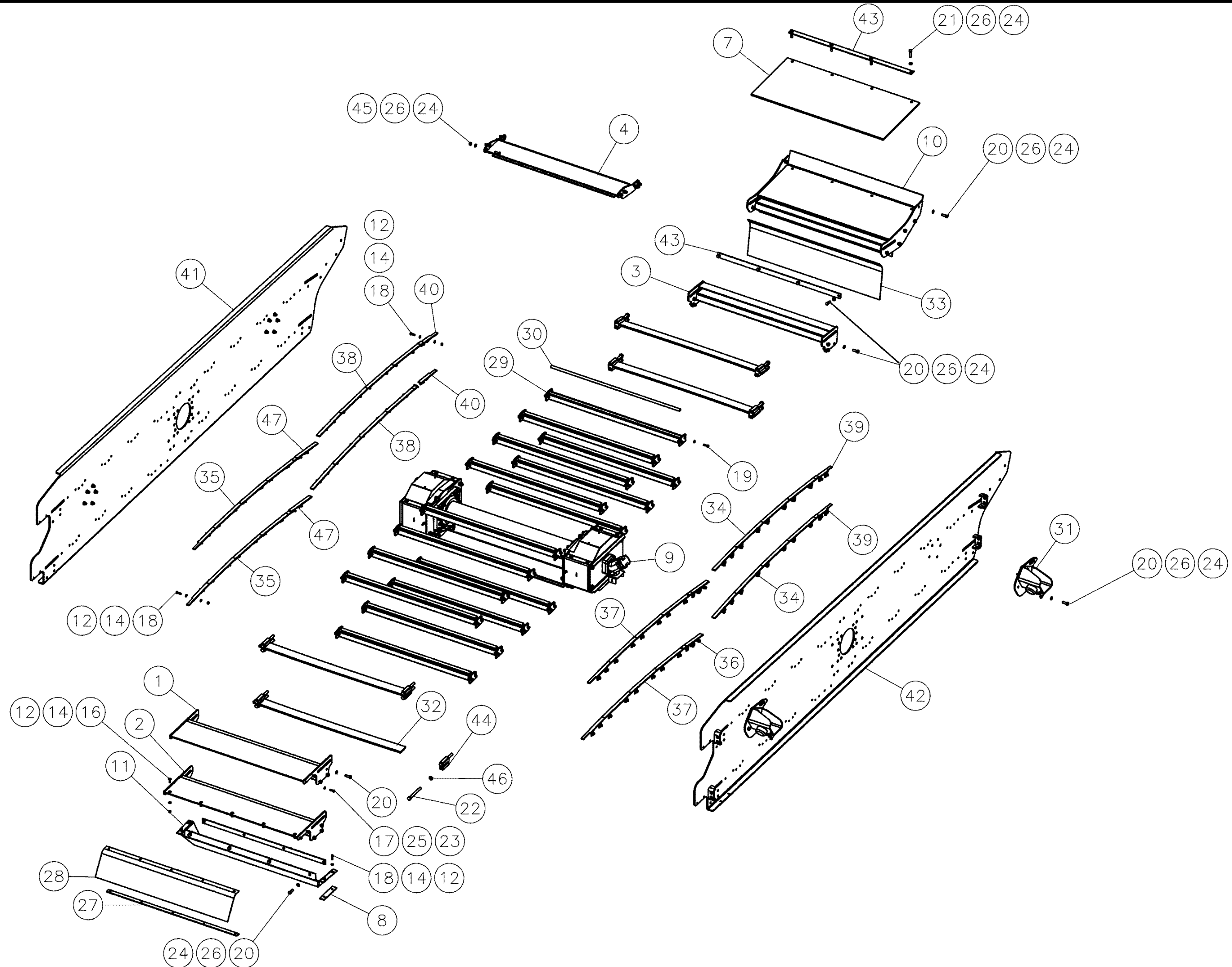
Pos.	Part No.	Description	Qty	Net Wght
1	MM0281938	ROLLER	1	8.44
2	MM0252790	ROLLER	1	2.8
3	MM0252800	ROLLER	1	2.8
4	7001570012	NUT, SELF-LOCKING	4	0.01
5	704006970000	PLAIN WASHER	8	0.01
6	N01530199	BOLT, HEXAGONAL	4	0.05



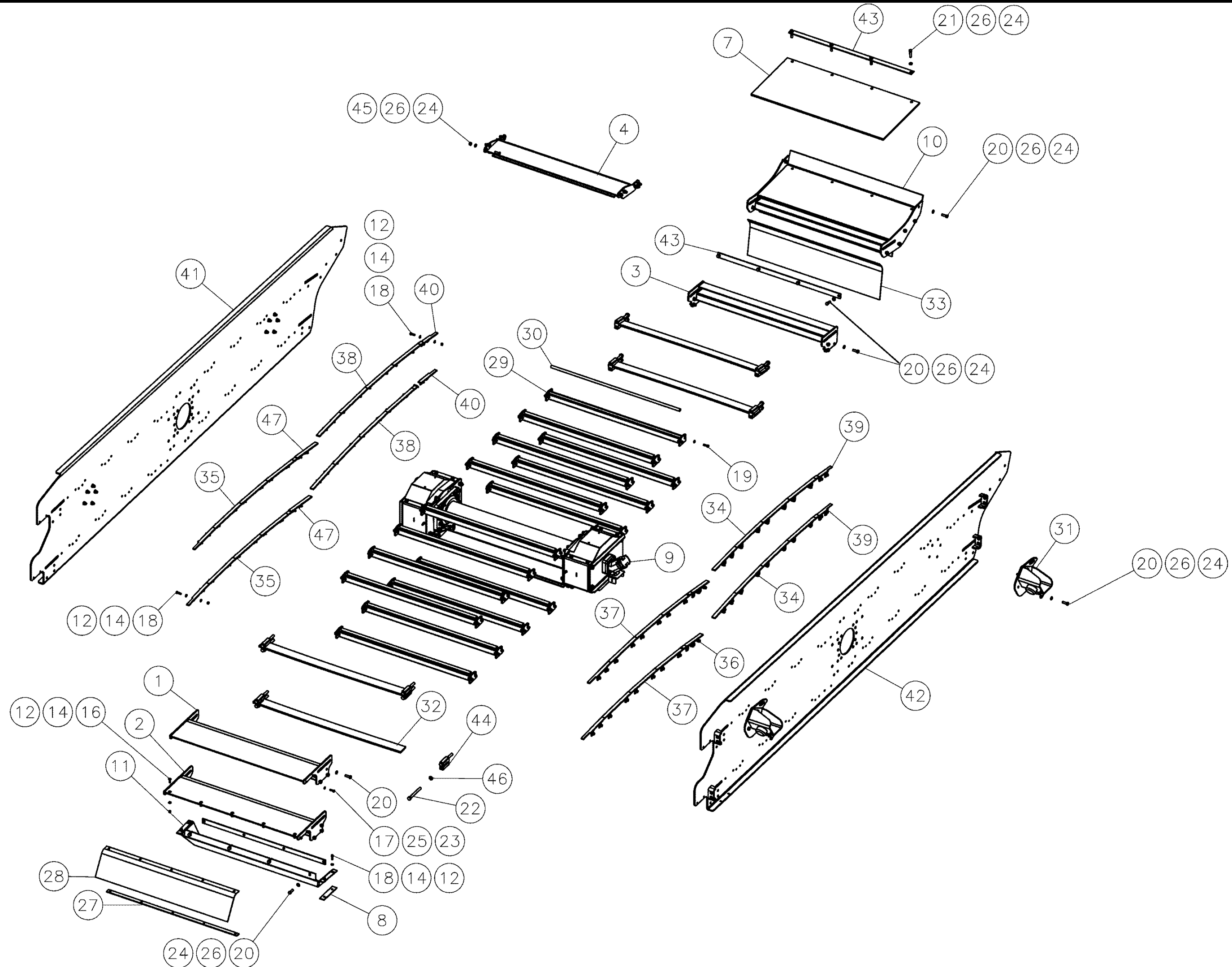
Pos.	Part No.	Description	Qty	Net Wght	Page
1	M11451	SCREEN ASSEMBLY	1	4068.72	28
2	M11435	SUPPORT ASSEMBLY	2	161.46	32
3	M11616	TUBE SUPPORT	2		
4	M04848-130	PIN	2	1.15	
5	N04205042	BUFFER, RUBBER	4	0.5	
6	M04848-135	PIN	2		
7	706303524110	SPRING PIN	6	0.035	
8	MM0224743	PIN	2	0.74	
9	N01530197	BOLT, HEXAGONAL	2	0.05	
10	7001570012	NUT, SELF-LOCKING	2	0.01	
11	704006970000	PLAIN WASHER	4	0.01	
12	N01530540	BOLT, HEXAGONAL	2	0.63	
13	N01565003	NUT, HEXAGONAL	2	0.094	
14	704007190000	PLAIN WASHER	4	0.03	
15	MM0323077	SENSOR INSTALLATION	1		34
16	M04848-131	PIN	2	2.0	



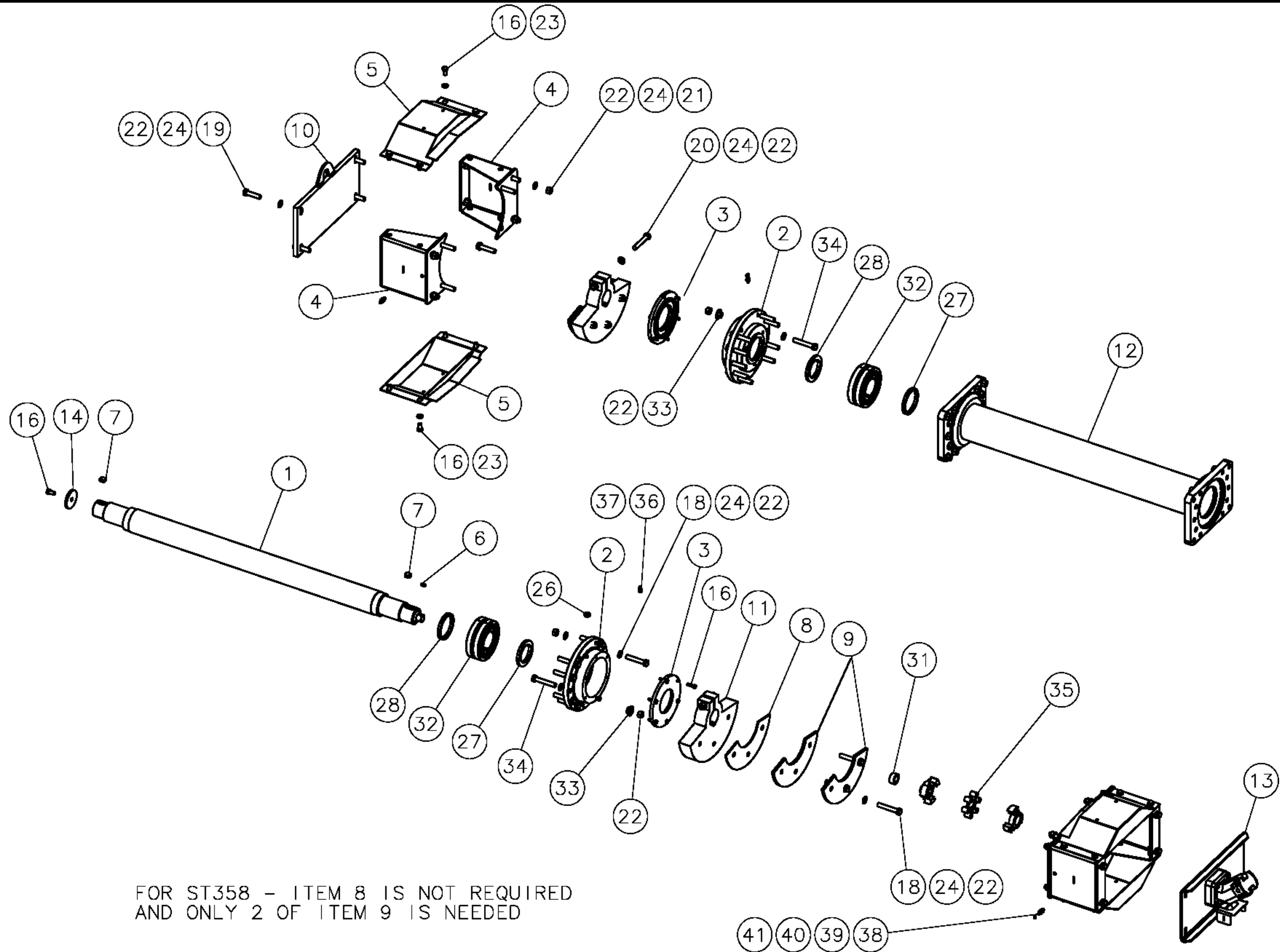
Pos.	Part No.	Description	Qty	Net Wght	Page
1	M02107-01	ASSEMBLY PART	4	3.4	
2	N04205041	BUFFER, RUBBER	4	1.5	
3	7001570012	NUT, SELF-LOCKING	65	0.01	
4	704006970000	PLAIN WASHER	146	0.01	
5	N01530143	BOLT, HEXAGONAL	16	0.04	
6	N01530197	BOLT, HEXAGONAL	49	0.05	
7	N01530201	BOLT, HEXAGONAL	16	0.053	
8	N01530313	BOLT, HEXAGONAL	8	0.11	
9	N01570210	NUT, SELF-LOCKING	16	0.0051	
10	N01570216	NUT, HEXAGONAL	8	.196	
11	N01626510	PLAIN WASHER	32	0.1	
12	N01626516	PLAIN WASHER	16	0.012	
13	M11528	CLAMP	4		
14	M09863	CLAMP	2	3.72	
15	M02076-01	SPRING	8	7.7	
16	M10015	GUARD	8	0.2	
17	M11508	SCREEN	1	2772.27	29
18	M11500	SUB-FRAME	1	1005.95	
19	M11527	RUBBER	2	22.7	
21	M09671	HOLDING DEVICE	2	0.54	
22	MM0234594	PLATE	1	7	
23	MM0270436	PLATE	2	0.94	



Pos.	Part No.	Description	Qty	Net Wght	Page
1	M09213	ASSEMBLY	1	104.2	
2	M09816	ASSEMBLY	1	111	
3	M09233	ASSEMBLY	1	67.3	
4	MM0222686	SUPPORT ASSEMBLY	2	77	
7	M04857-01	PLATE, RUBBER	1	19.9	
8	M10071	CLAMP	2	0.54	
9	M11618	DRIVE DEVICE	1	695.36	30
10	M09228	FEED PLATE	1	162.3	
11	M10070	RUBBER SKIRT	1	3.2	
12	7001570012	NUT, SELF-LOCKING	153	0.01	
14	704006970000	PLAIN WASHER	300	0.01	
16	N01551109	SCREW, HEXAGON SOCKET COUNTERSUNK HEAD	5	0.04	
17	N01530143	BOLT, HEXAGONAL	8	0.04	
18	N01530199	BOLT, HEXAGONAL	88	0.05	
19	N01530201	BOLT, HEXAGONAL	60	0.053	
20	N01530313	BOLT, HEXAGONAL	56	0.11	
21	N01530321	BOLT, HEXAGONAL	4	0.139	
22	N01532454	SCREW, HEXAGONAL	16	0.5	
23	N01570210	NUT, SELF-LOCKING	8	0.0051	
24	N01570216	NUT, HEXAGONAL	88	.196	
25	N01626510	PLAIN WASHER	16	0.1	
26	N01626516	PLAIN WASHER	160	0.012	
27	MM0269222	PLATE	1	2.78	
28	M10012	RUBBER	1	3.9	
29	M02025-01	SUPPORT ASSEMBLY	16	12.95	
30	M02027-01	SUPPORT, RUBBER	16	0.6	
31	M09224	BRACKET INSTALLATION	4	19.73	
32	MM0242482	PLATE	4	15.8	
33	M09235	RUBBER LINER	1	3.9	
34	M11510	SEAL STRIP	2	2.2	
35	M11511	SEAL STRIP	2		
36	M09243	SEAL STRIP	2	0.522	
37	M11512	SEAL STRIP	2	3	
38	M11509	SEAL STRIP	2	3.2	
39	M09359	SEAL STRIP	2	0.454	
40	M09242	SEAL STRIP	2	0.907	
41	MM0222750	SIDE PLATE	1	491.0	
42	MM0222749	SIDE PLATE	1		
43	M04867-01	CLAMP	3	3.2	
44	M06689-1	TENSIONER	8	1.7	
45	704501392100	SCREW, HEXAGON SOCKET COUNTERSUNK HEAD	16	0.08	
		CONTINUES ON THE NEXT PAGE			29-2

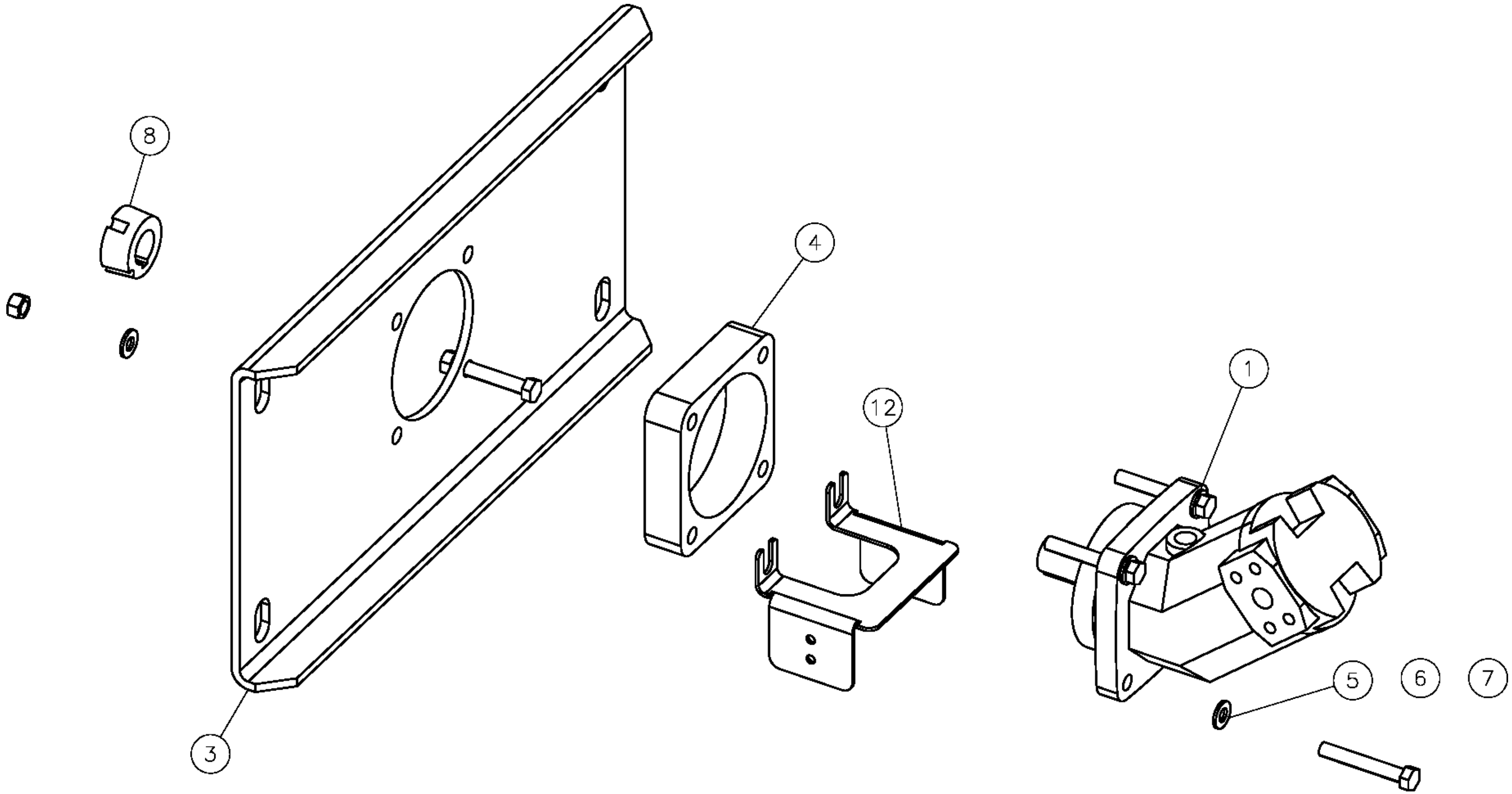


Pos.	Part No.	Description	Qty	Net Wght	Page
		STARTED ON THE PREVIOUS PAGE			29
46	N01626520	PLAIN WASHER	16	0.017	
47	MM0261969	SEAL STRIP	2	0.59	

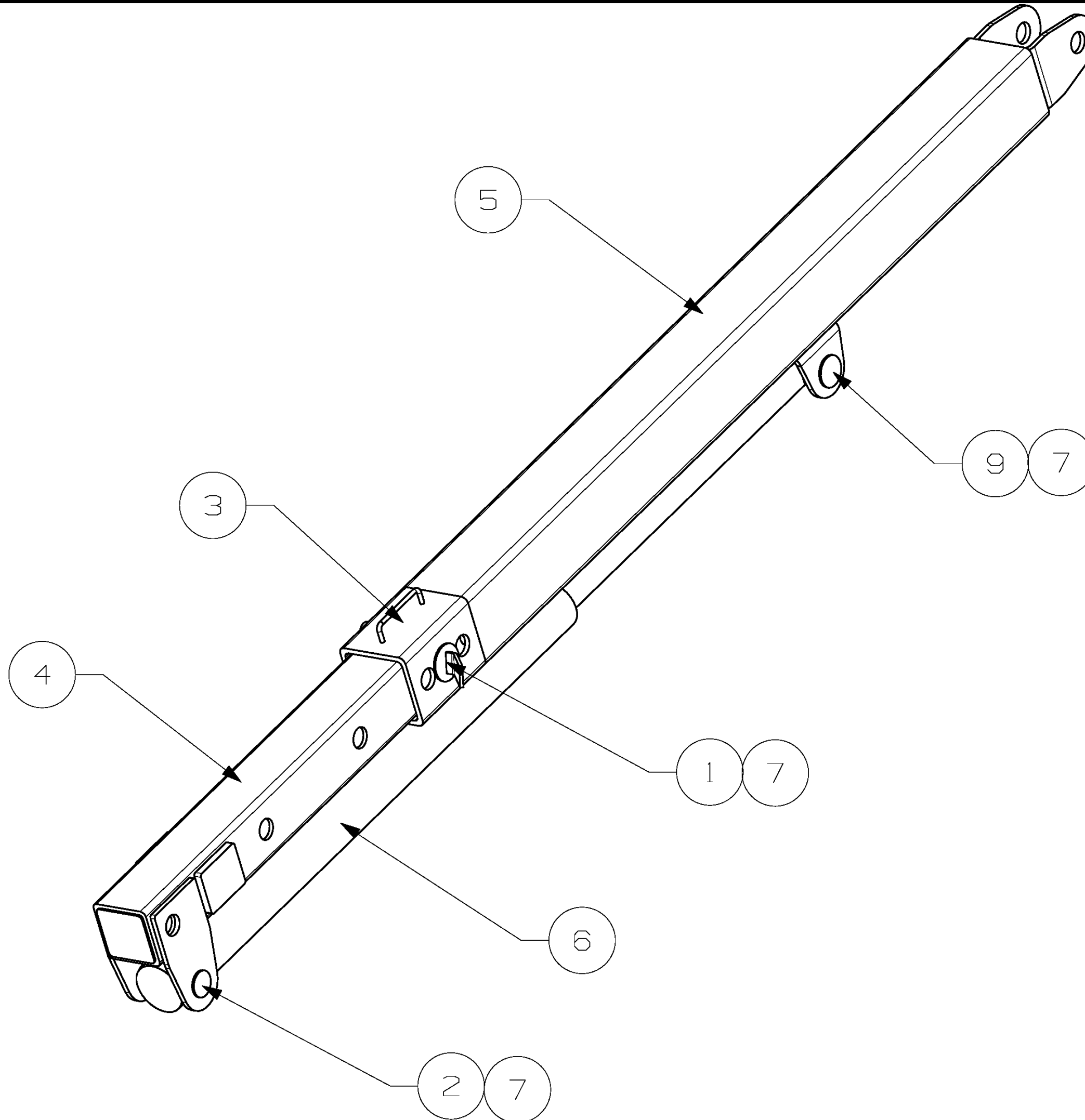


FOR ST358 - ITEM 8 IS NOT REQUIRED
AND ONLY 2 OF ITEM 9 IS NEEDED

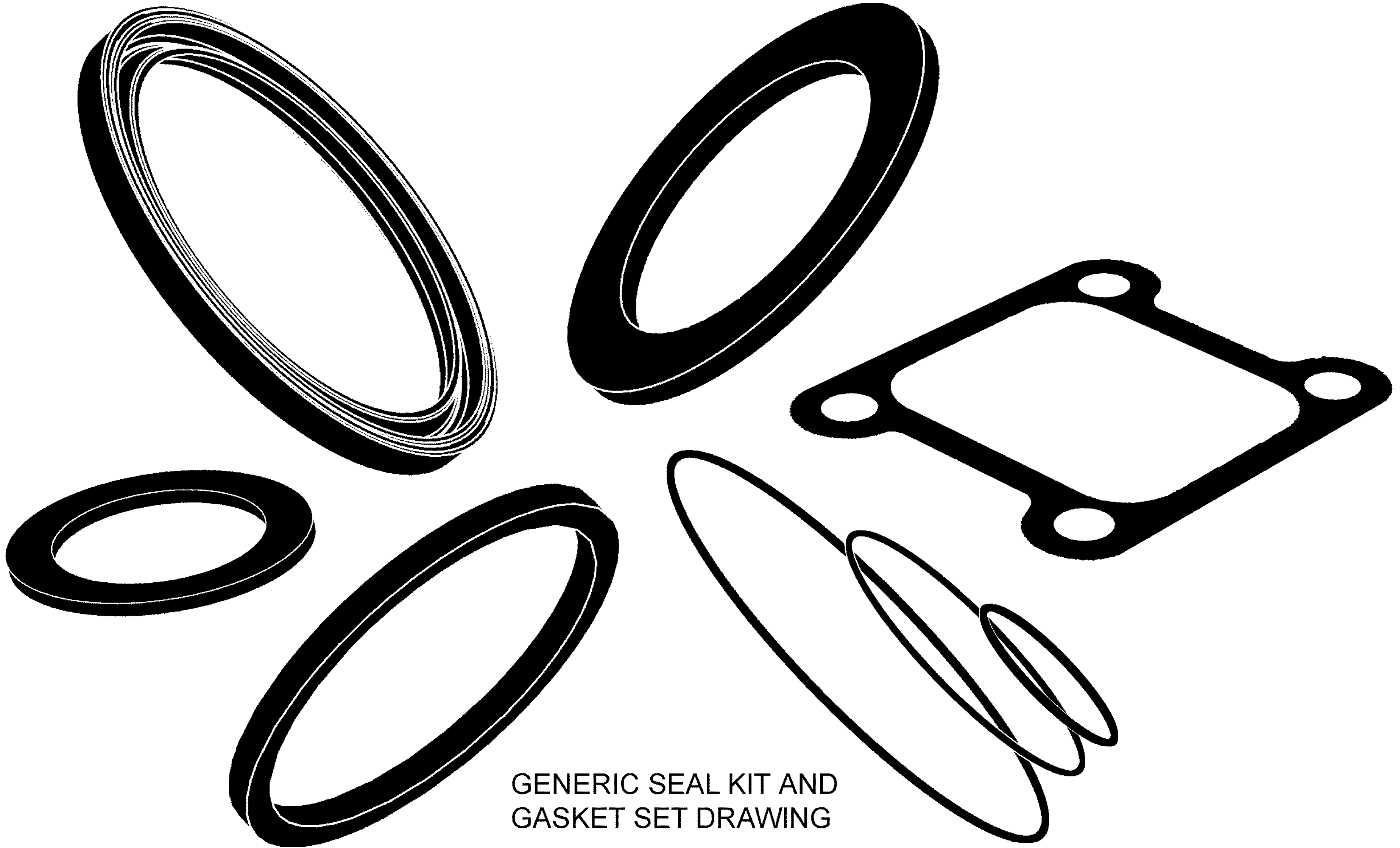
Pos.	Part No.	Description	Qty	Net Wght	Page
1	M02013-01	DRIVE SHAFT	1	168.43	
2	M02014-01	BEARING HOUSING	2	35.3	
3	M02015-01	BEARING COVER	2	12	
4	M02017-01	MOTOR BRACKET	4	12.3	
5	M02021-01	FLYWHEEL COVER	4	5.9	
6	MM0322622	PARALLEL KEY	1	.01	
7	M02074-02	KEY	2	0.1	
8	M02304-01	WEIGHT WHEEL	2		
9	M02304-02	WEIGHT WHEEL	4		
10	M02312-01	FLYWHEEL COVER	1	37.6	
11	M02428-01	COUNTERWEIGHT	2	48.17	
12	M04859-01	TUBE ASSEMBLY	1	128.3	
13	M11619	HYDRAULIC MOTOR INSTALLATION	1	17.58	31
14	M10792	HOLDER	1	.6	
15	N01530143	BOLT, HEXAGONAL	12	0.04	
16	N01530306	SCREW, HEXAGONAL	17	0.077	
17	N01530423	BOLT, HEXAGONAL	8	0.28	
18	N01530425	BOLT, HEXAGONAL	20	0.33	
19	N01530427	BOLT, HEXAGONAL	4	0.231	
20	N01530431	BOLT, HEXAGONAL	8	0.35	
21	N01532411	SCREW, HEXAGONAL	12	0.186	
22	N01570220	JAM NUT, HEXAGONAL	52	0.06	
23	N01626516	PLAIN WASHER	16	0.012	
24	N01626520	PLAIN WASHER	104	0.017	
26	N02125891	WIRE MARKER	2		
27	N02701924	SHAFT SEAL	2	0.12	
28	N02703952	SEAL	2	0.1	
31	N03468901	TAPERED SLEEVE	1	0.2	
32	N03714203	ROLLER BEARING	2	13.5	
33	MM0270493	PIPE SUPPORT	2	.08	
34	N01530431	BOLT, HEXAGONAL	2	0.35	
35	N03460020	COUPLING FLANGE	1	2	
36	706300790056	CONNECTION	2	0.02	
37	706300788991	ELBOW ADAPTER	2	0.037	
38	706300790567	CONNECTION	2	0.041	
39	MM0310096	CONNECTION	2	0.042	
40	704501672010	GREASE NIPPLE	2	0.01	
41	N44460465	HYDRAULIC HOSE	2		



Pos.	Part No.	Description	Qty	Net Wght
1	N05530057	HYDRAULIC MOTOR	1	18
*	801015	SEAL KIT	1	0.7
3	M08197-01	MOUNTING PLATE	1	14
4	M11667	MOTOR INSTALLATION PARTS	1	2.6
5	N01530211	BOLT, HEXAGONAL	1	0.084
6	7001570012	NUT, SELF-LOCKING	4	0.01
7	704006970000	PLAIN WASHER	8	0.01
8	N03239111	TAPERED SLEEVE	1	0.313
12	MM0293811	SUPPORT BRACKET	1	0.53



Pos.	Part No.	Description	Qty	Net Wght	Page
1	M04849-132	PIN	1	2.268	
2	M04848-91	PIN	1	1.15	
3	M09823	BOX	1	8.2	
4	M11436	BOX	1	65.6	
5	M09825	SLEEVE	1	85	
6	MM0237488	HYDRAULIC CYLINDER	1	45.4	33
7	706303524110	SPRING PIN	3	0.035	
9	M04848-89	PIN	1	1	

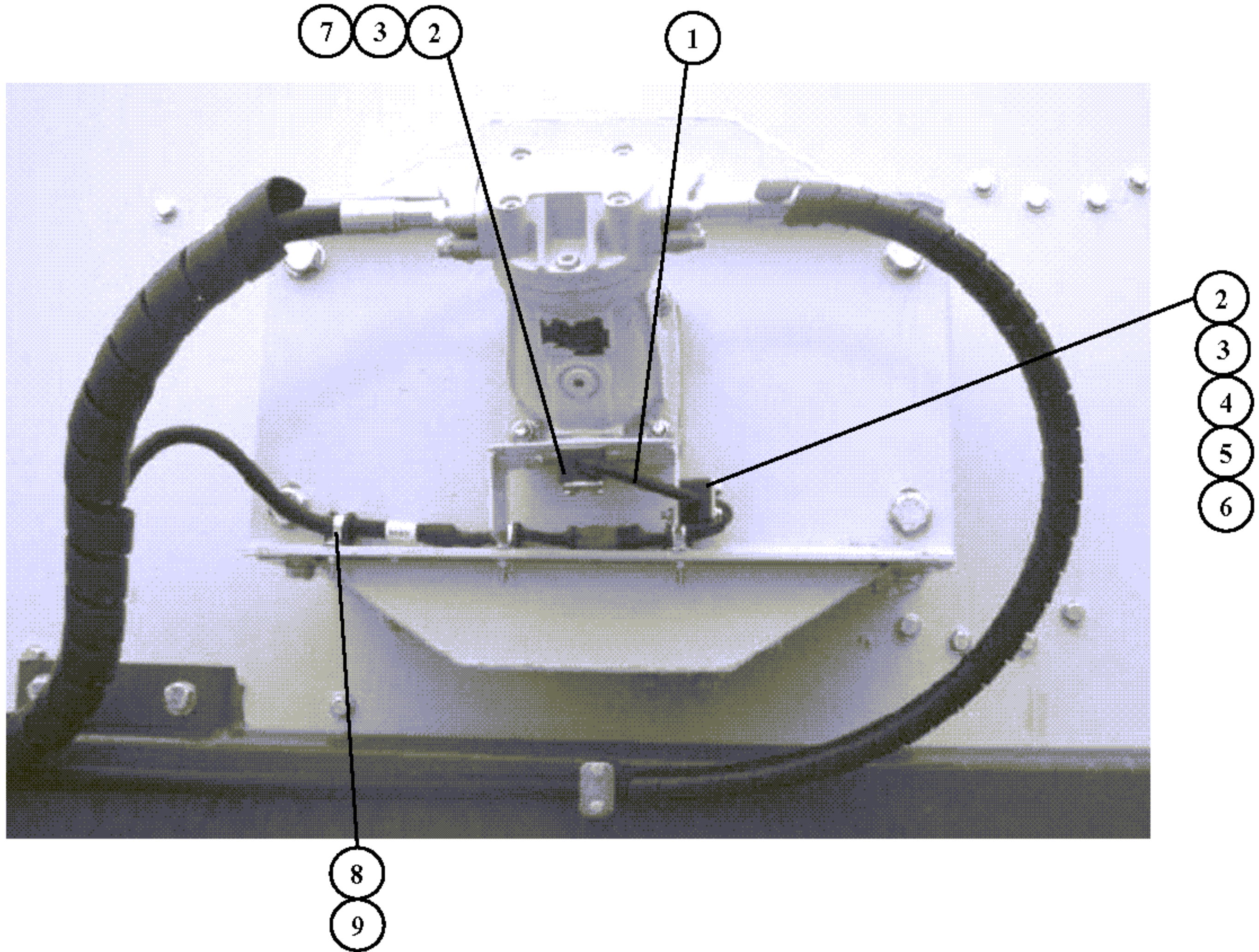


GENERIC SEAL KIT AND
GASKET SET DRAWING



Lokotrack ST3.8 s/n 76292
MM0237488_0 HYDRAULIC CYLINDER

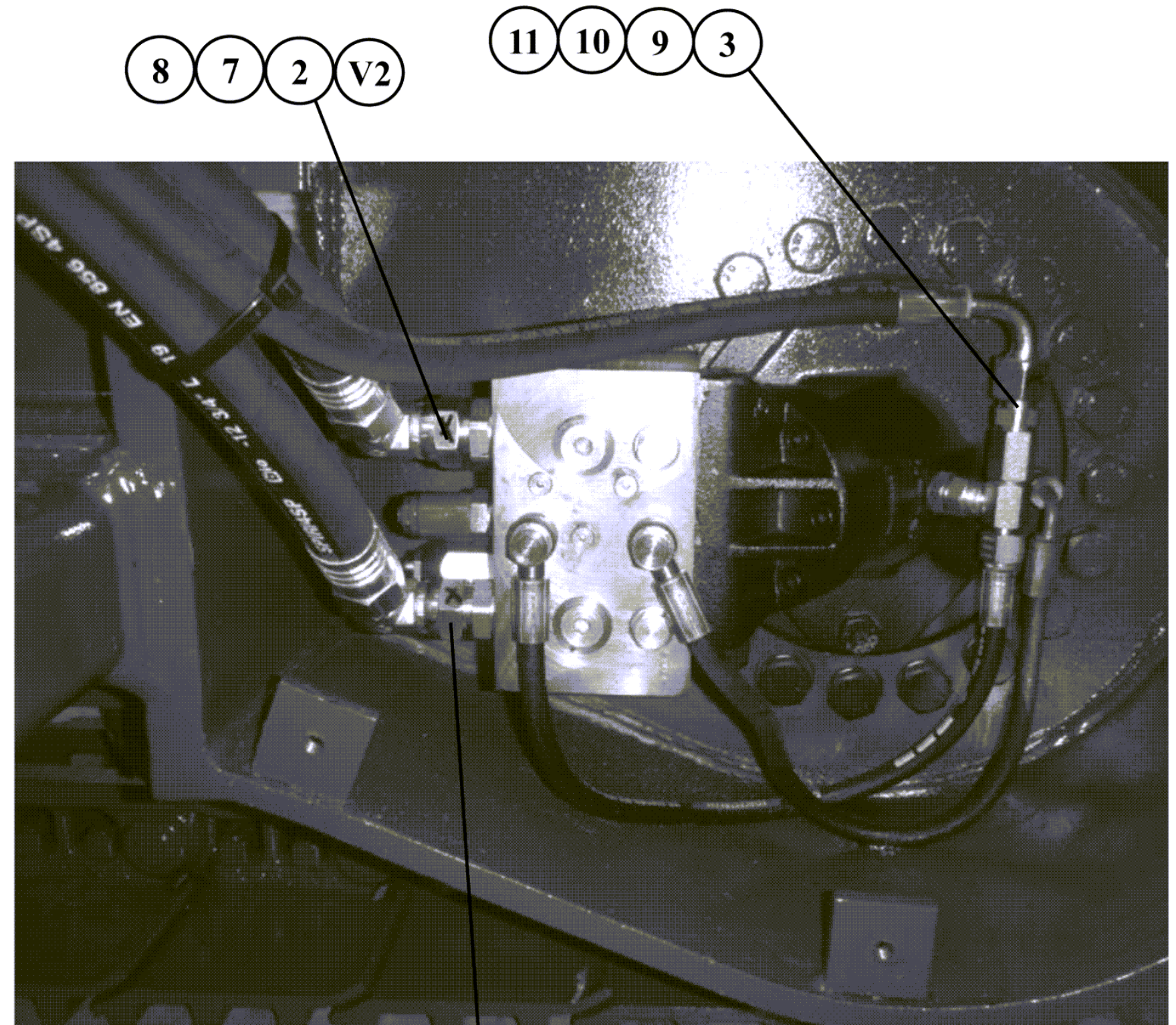
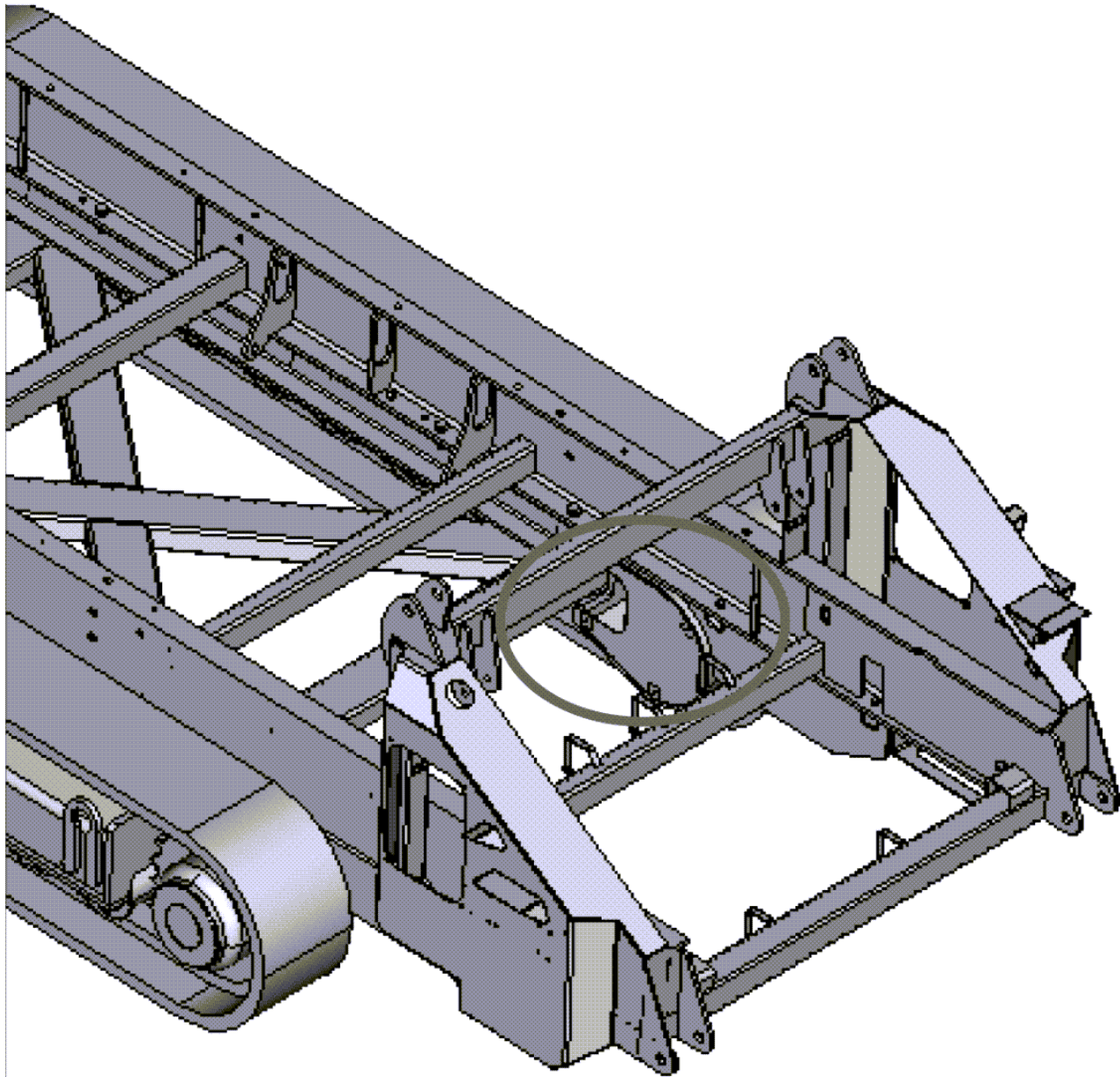
Pos.	Part No.	Description	Qty	Net Wght
0	MM0237881	SEAL KIT	1	0.01





Lokotrack ST3.8 s/n 76292
MM0323077_0 SENSOR INSTALLATION

Pos.	Part No.	Description	Qty	Net Wght
1	MM0322834	SENSOR	1	.2
2	706302545645	FASTENER PAIR	2	0.015
3	706302547590	COVERING PLATE	2	.02
4	7001530063	SCREW, HEXAGONAL	2	0
5	704203927060	NUT, SELF-LOCKING	2	0.01
6	N01626506	PLAIN WASHER	2	.01
7	N01530060	SCREW, HEXAGONAL	2	0.01
8	N01685510	PIPE SUPPORT	3	0.01
9	704406000000	SCREW PLATE SCREW	3	0.01



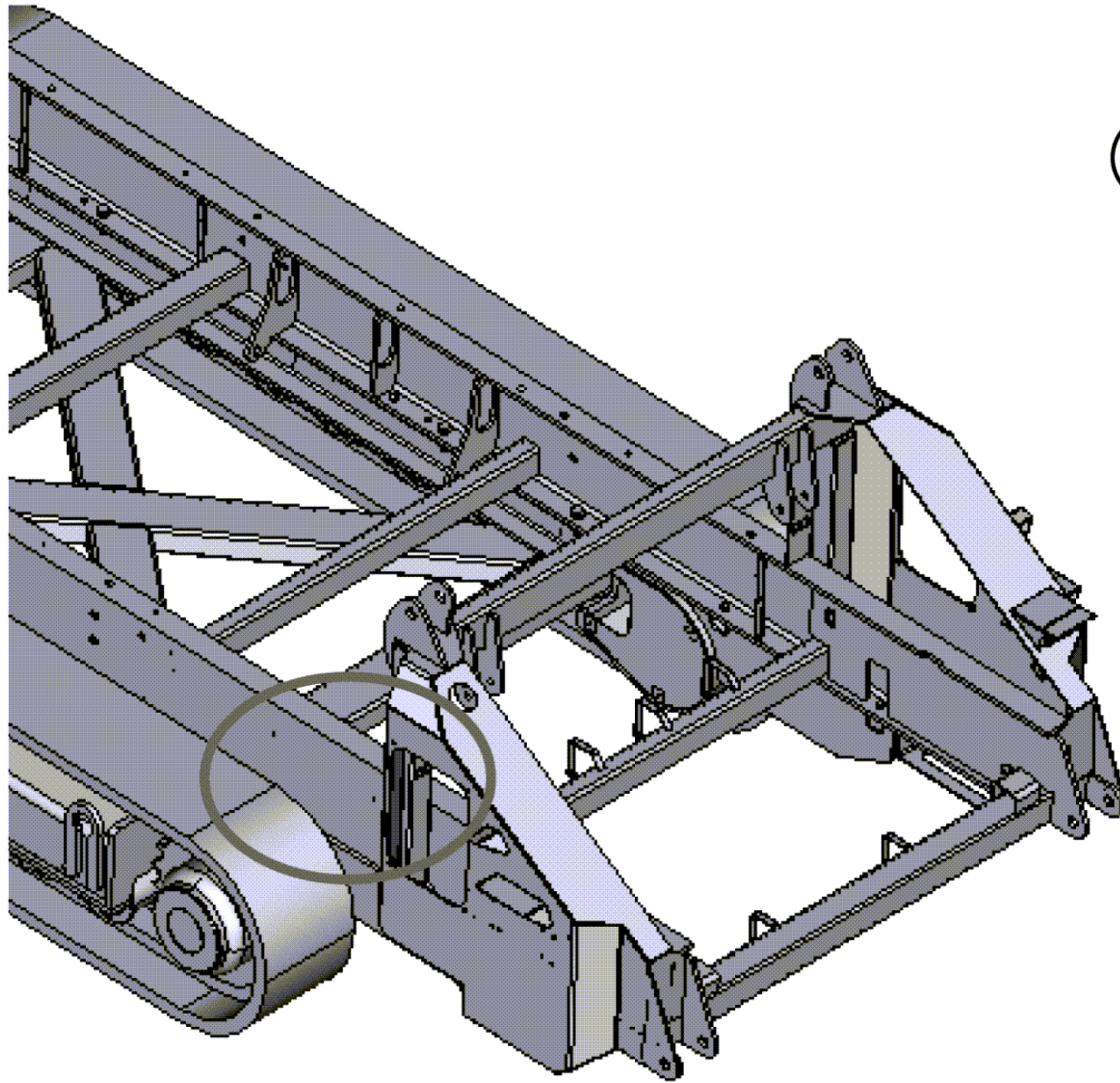
8 7 2 V2

11 10 9 3

8 7 1 V1

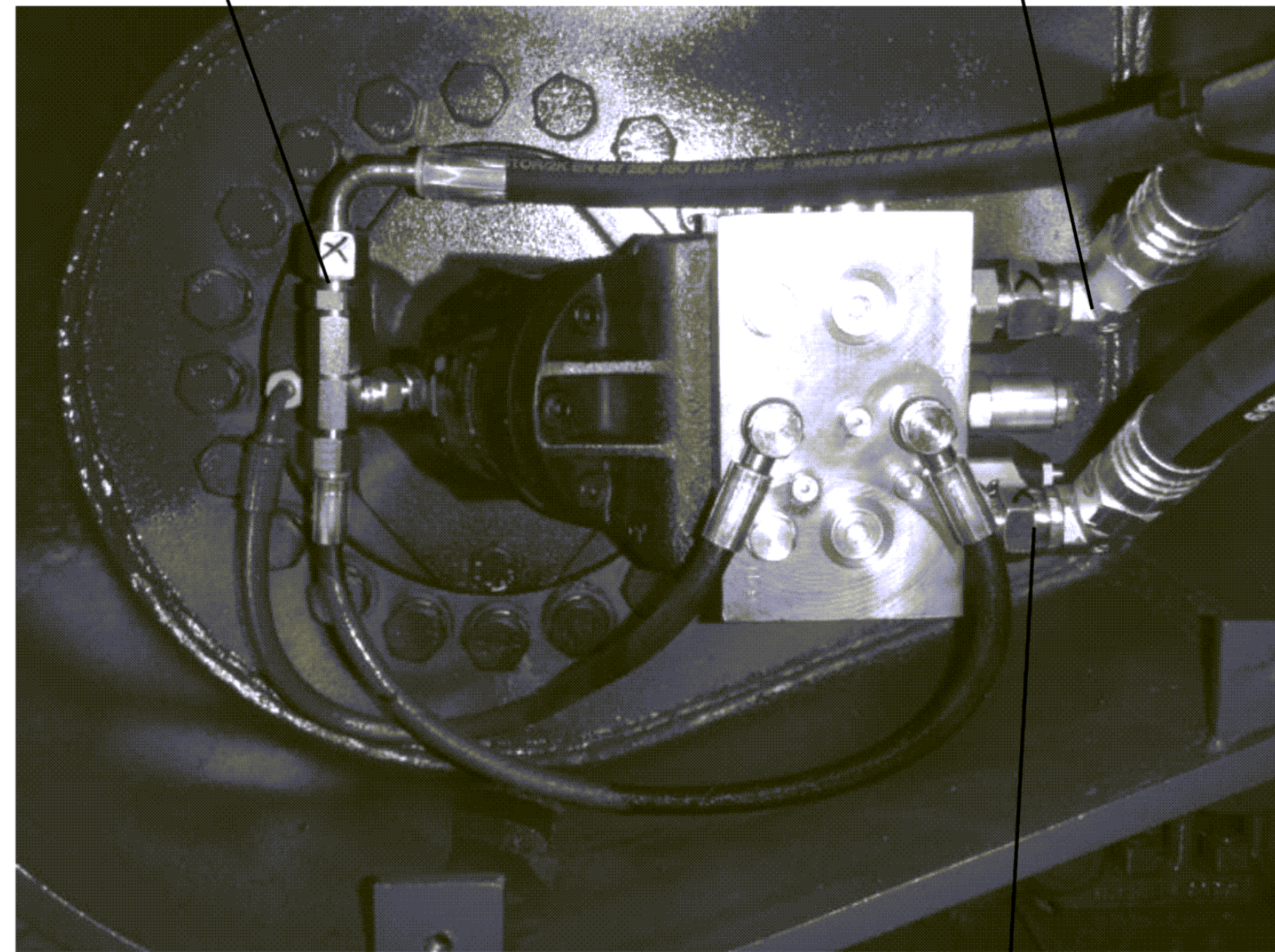
Drive motor hydraulic hoses are routed inside frame beam to engine module bottom

Pos.	Part No.	Description	Qty	Net Wght
1	MM0244433	HYDRAULIC HOSE	1	4.44
2	MM0244433	HYDRAULIC HOSE	1	4.44
3	MM0206435	HYDRAULIC HOSE	1	2.74
4	MM0212241	HYDRAULIC HOSE	1	8.2
5	MM0212241	HYDRAULIC HOSE	1	8.2
6	MM0212242	HYDRAULIC HOSE	1	3.01
7	706300790070	CONNECTION	4	0.16
8	706300790002	CONNECTION	4	0.26
9	706300790064	CONNECTION	2	0.06
10	N02701936	SEAL	2	.01
11	MM0317970	ADAPTER	2	0.05



11 10 9 6

8 7 5 V1



8 7 4 V2

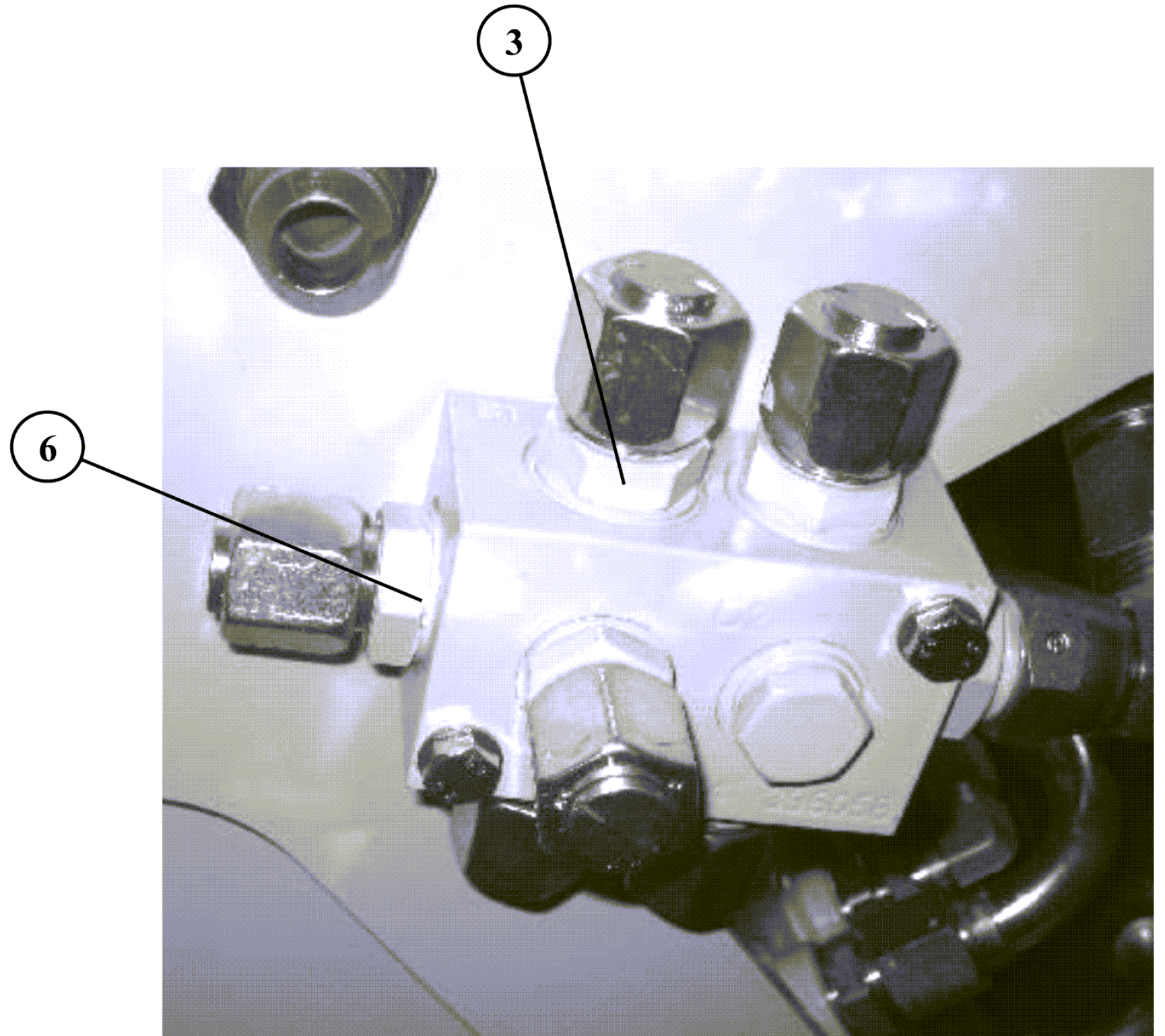
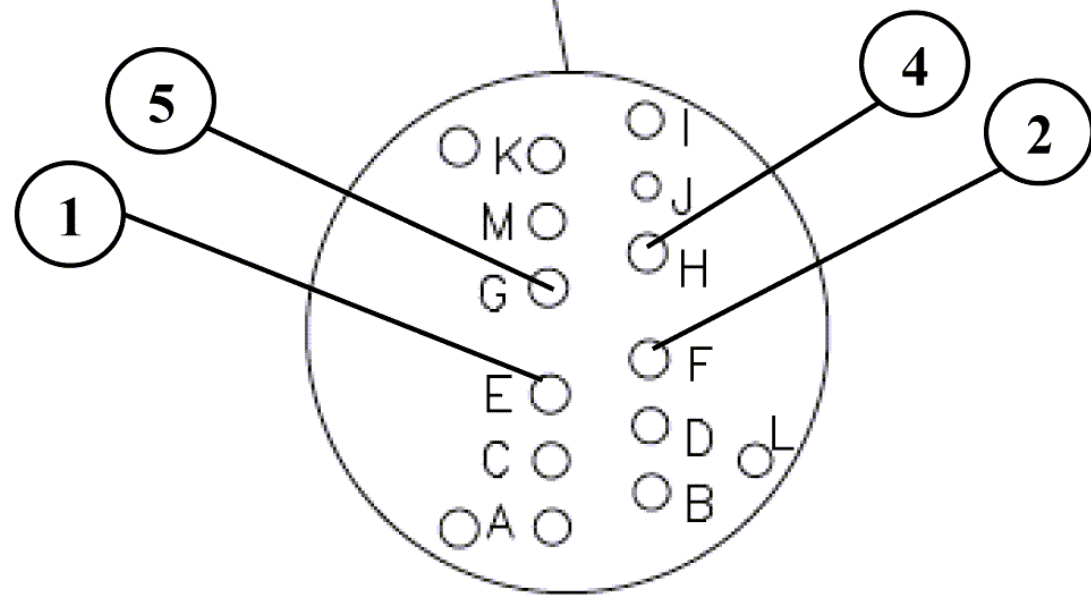
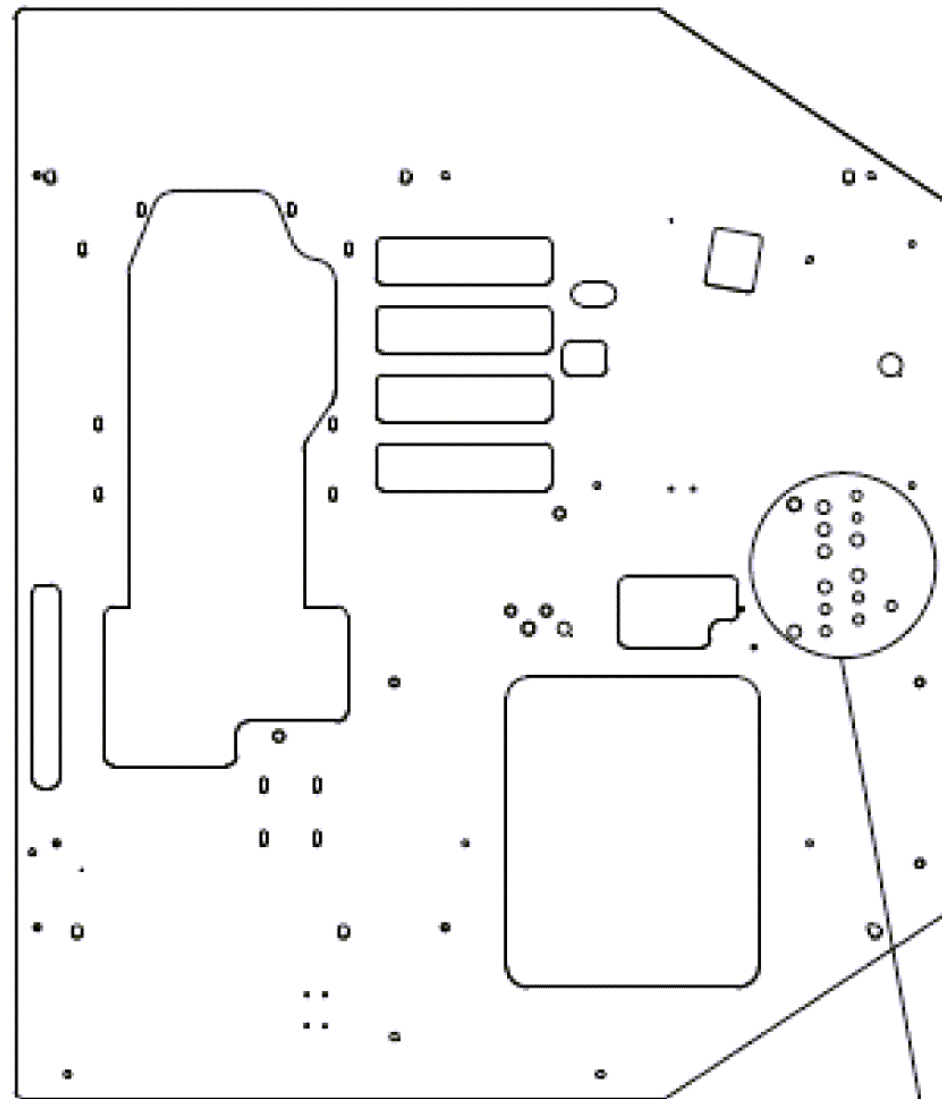
Drive motor hydraulic hoses are routed inside frame beam to engine module bottom



Lokotrack ST3.8 s/n 76292
MM0316901_1_2 PIPING, DRIVE MOTORS

Pos.	Part No.	Description	Qty	Net Wght
1	MM0244433	HYDRAULIC HOSE	1	4.44
2	MM0244433	HYDRAULIC HOSE	1	4.44
3	MM0206435	HYDRAULIC HOSE	1	2.74
4	MM0212241	HYDRAULIC HOSE	1	8.2
5	MM0212241	HYDRAULIC HOSE	1	8.2
6	MM0212242	HYDRAULIC HOSE	1	3.01
7	706300790070	CONNECTION	4	0.16
8	706300790002	CONNECTION	4	0.26
9	706300790064	CONNECTION	2	0.06
10	N02701936	SEAL	2	.01
11	MM0317970	ADAPTER	2	0.05

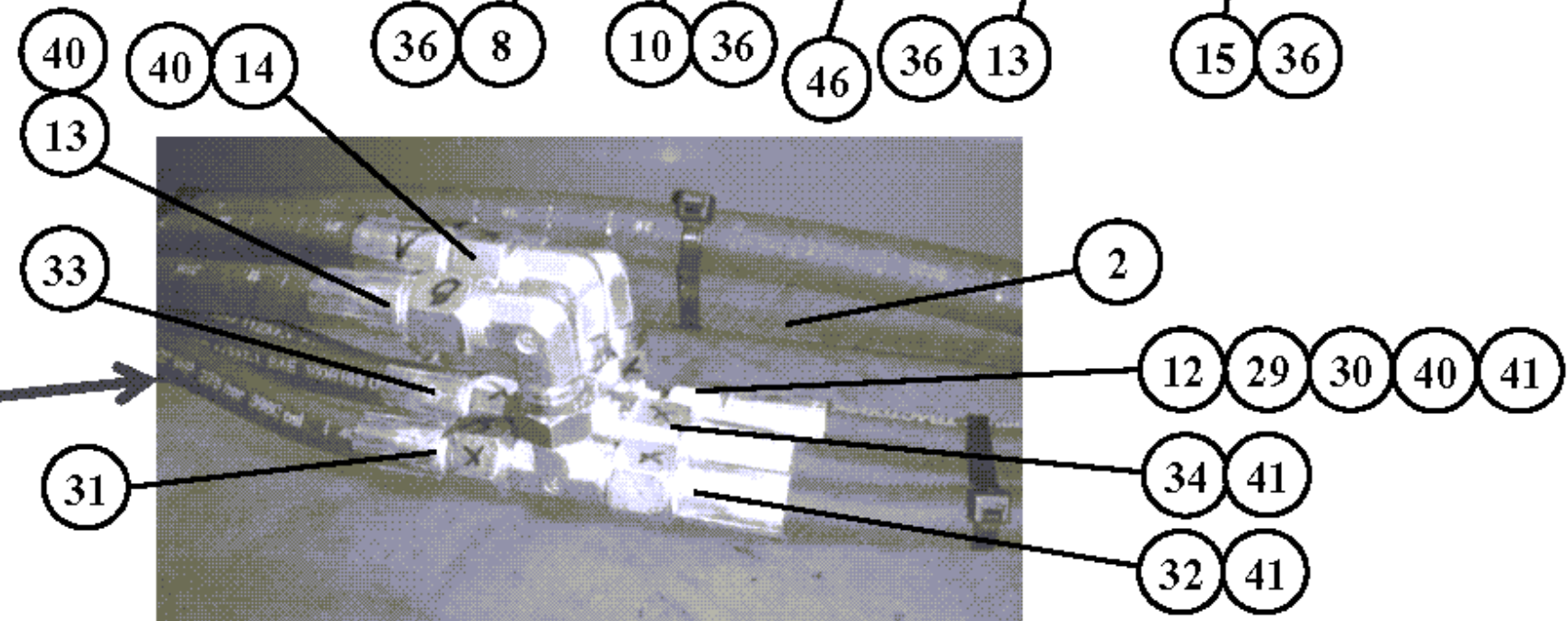
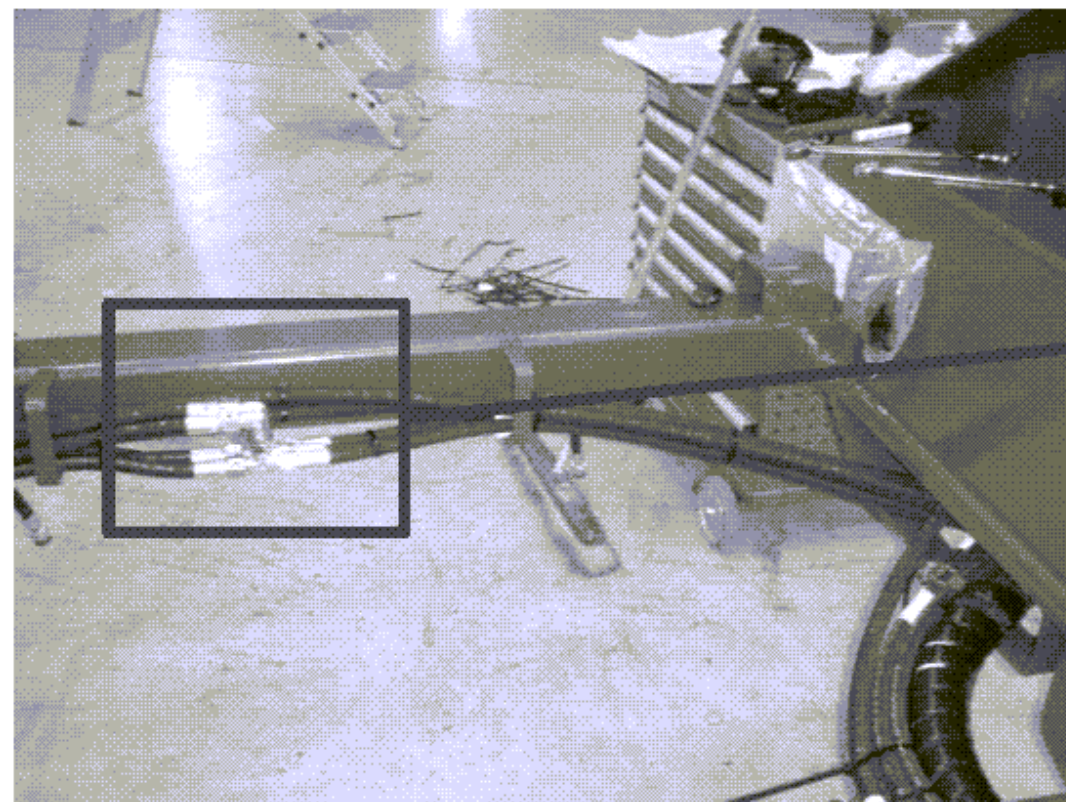
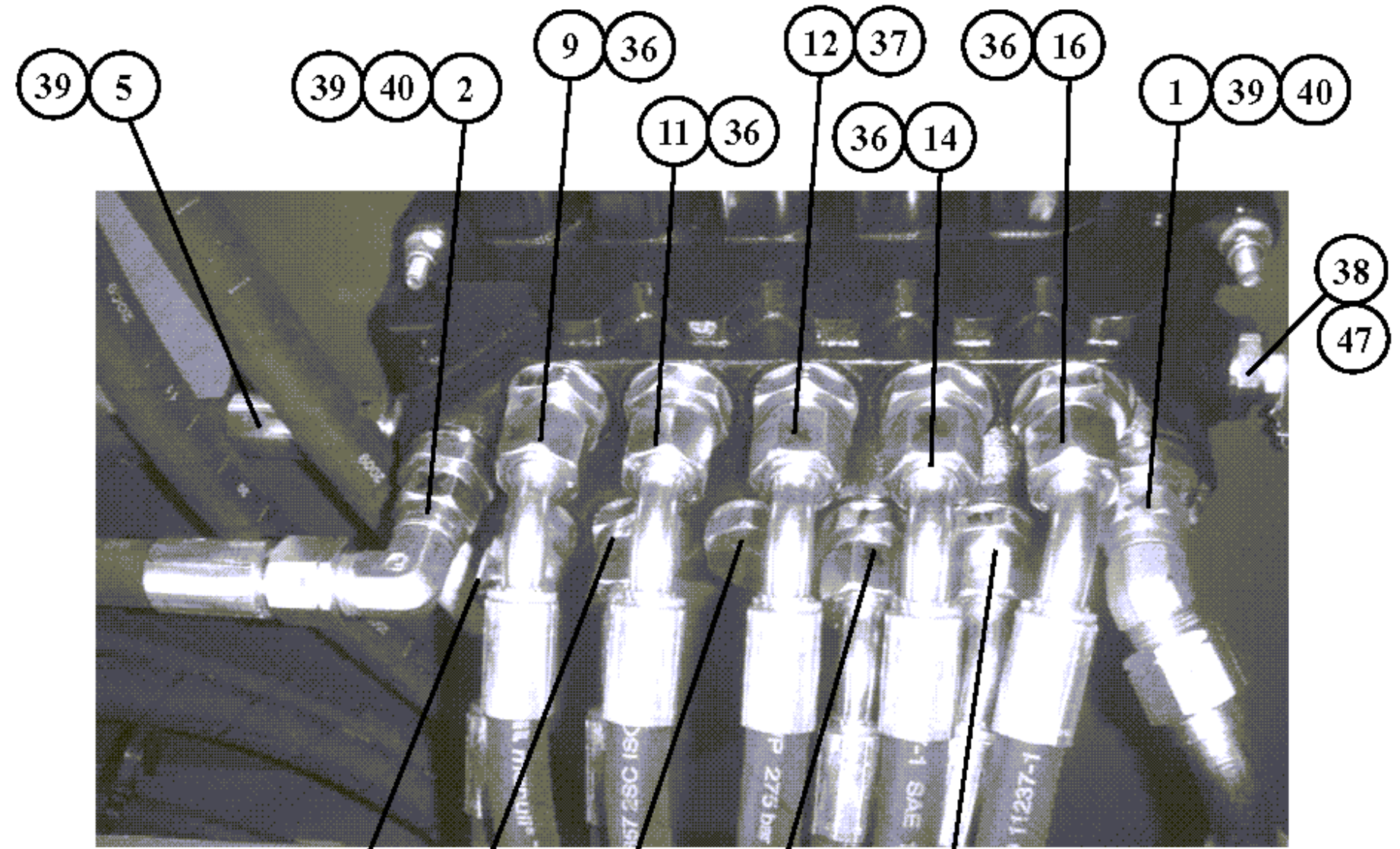
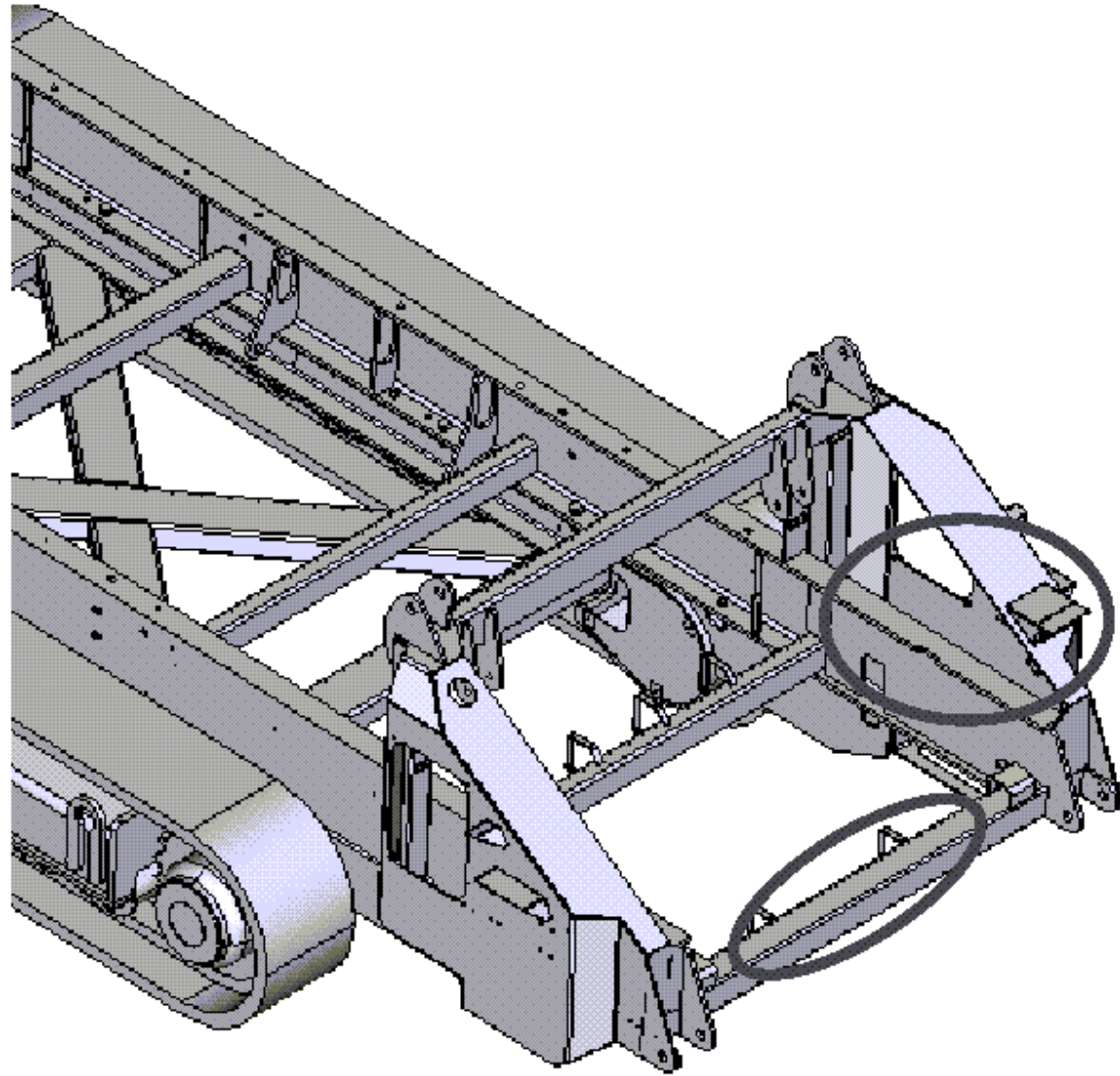
Engine module frame plate from above

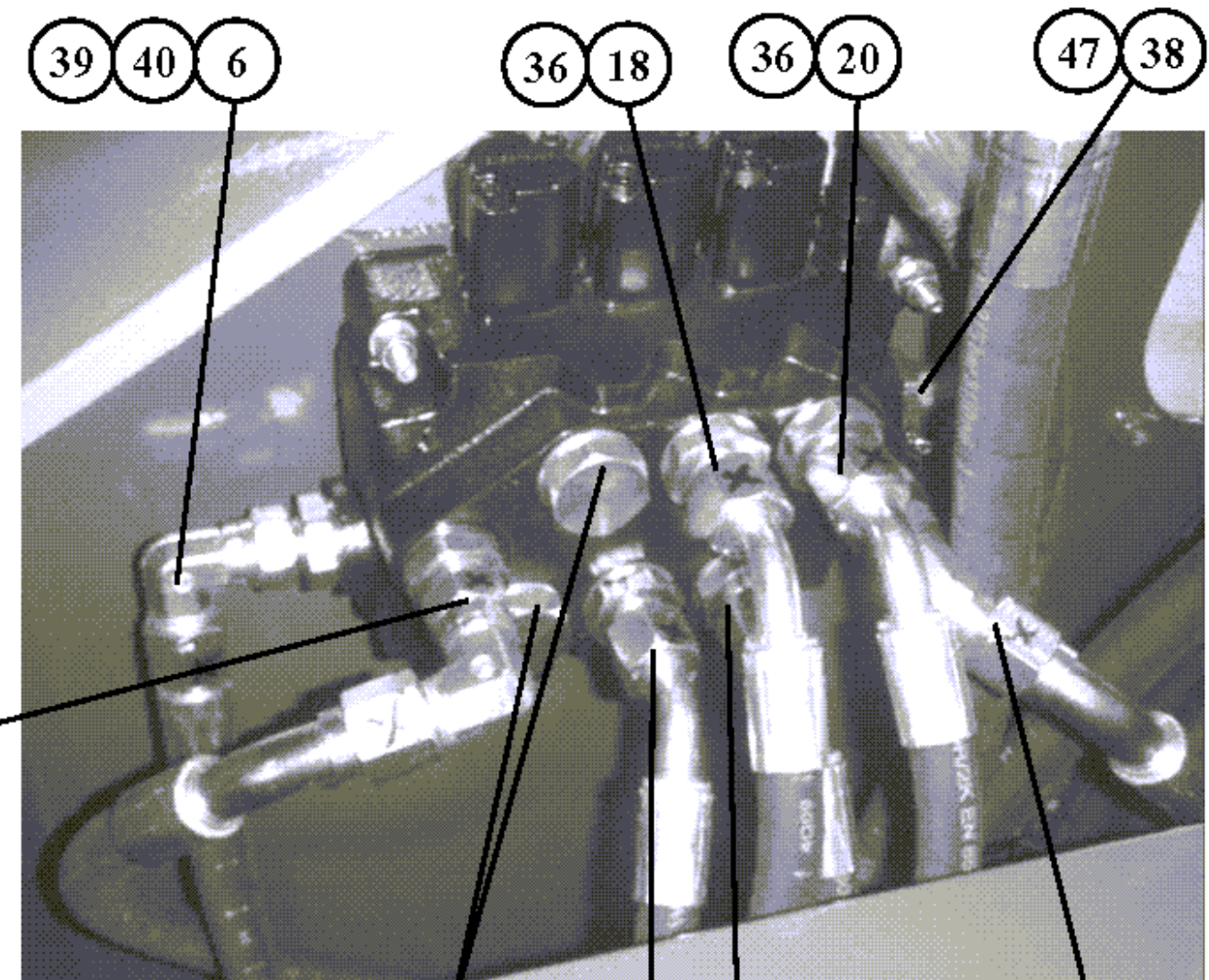
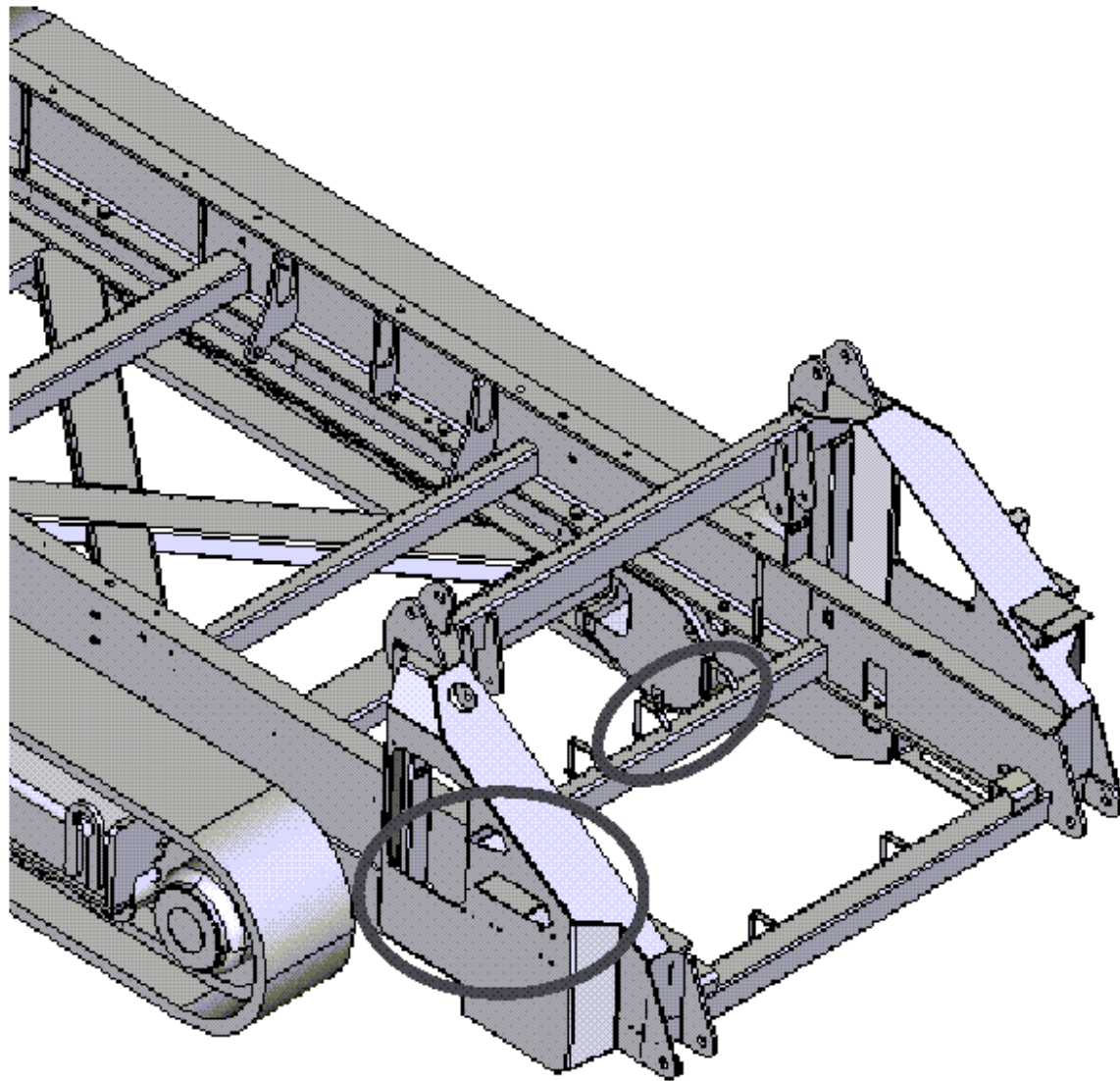




Lokotrack ST3.8 s/n 76292
MM0316901_1_3 PIPING, DRIVE MOTORS

Pos.	Part No.	Description	Qty	Net Wght
1	MM0244433	HYDRAULIC HOSE	1	4.44
2	MM0244433	HYDRAULIC HOSE	1	4.44
3	MM0206435	HYDRAULIC HOSE	1	2.74
4	MM0212241	HYDRAULIC HOSE	1	8.2
5	MM0212241	HYDRAULIC HOSE	1	8.2
6	MM0212242	HYDRAULIC HOSE	1	3.01
7	706300790070	CONNECTION	4	0.16
8	706300790002	CONNECTION	4	0.26
9	706300790064	CONNECTION	2	0.06
10	N02701936	SEAL	2	.01
11	MM0317970	ADAPTER	2	0.05





39 40 3

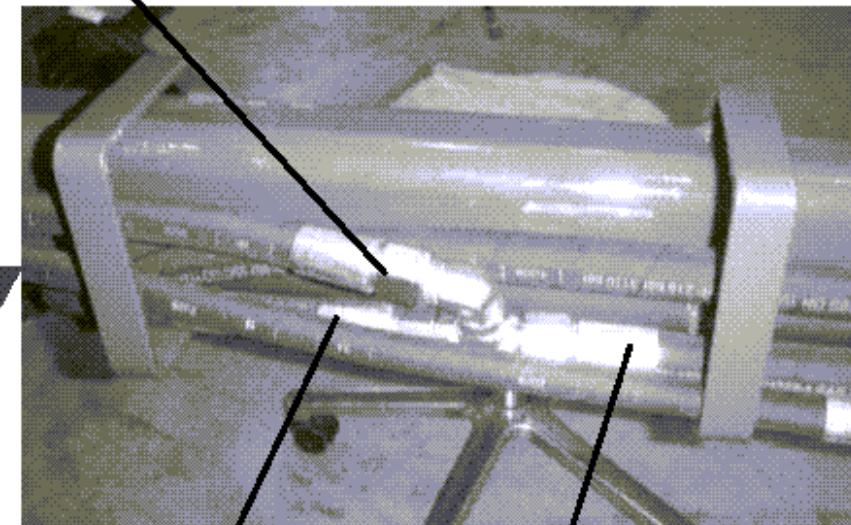
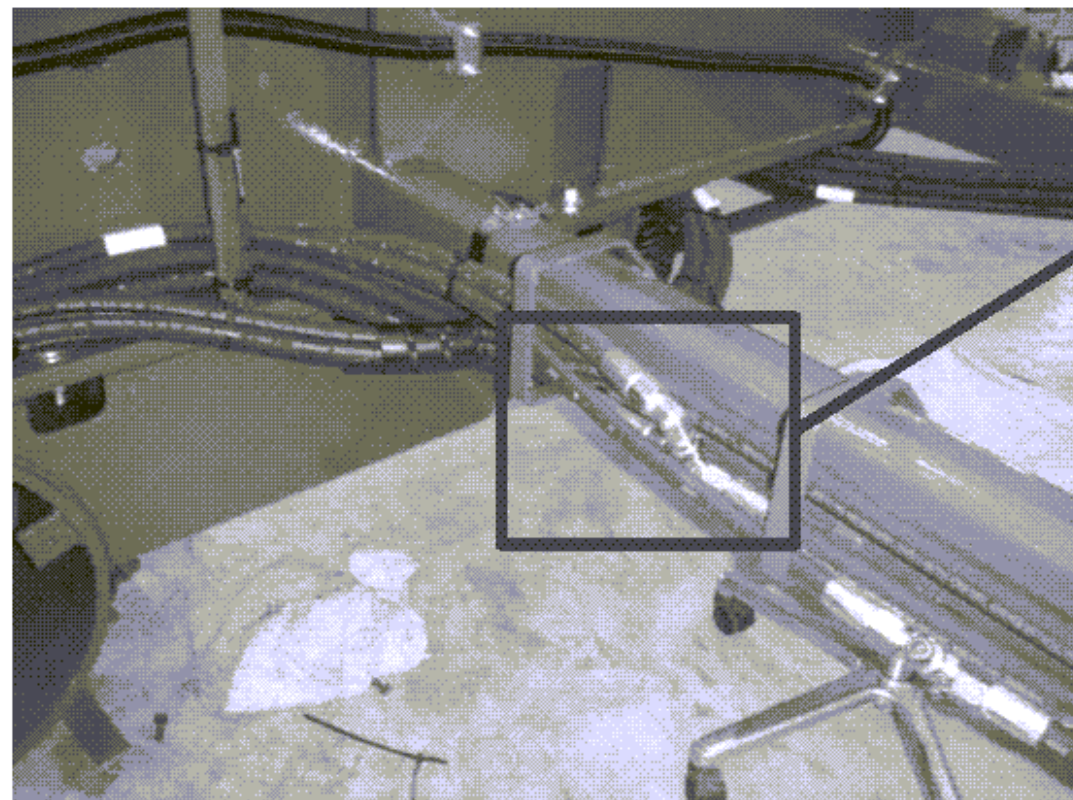
7

46

36 17

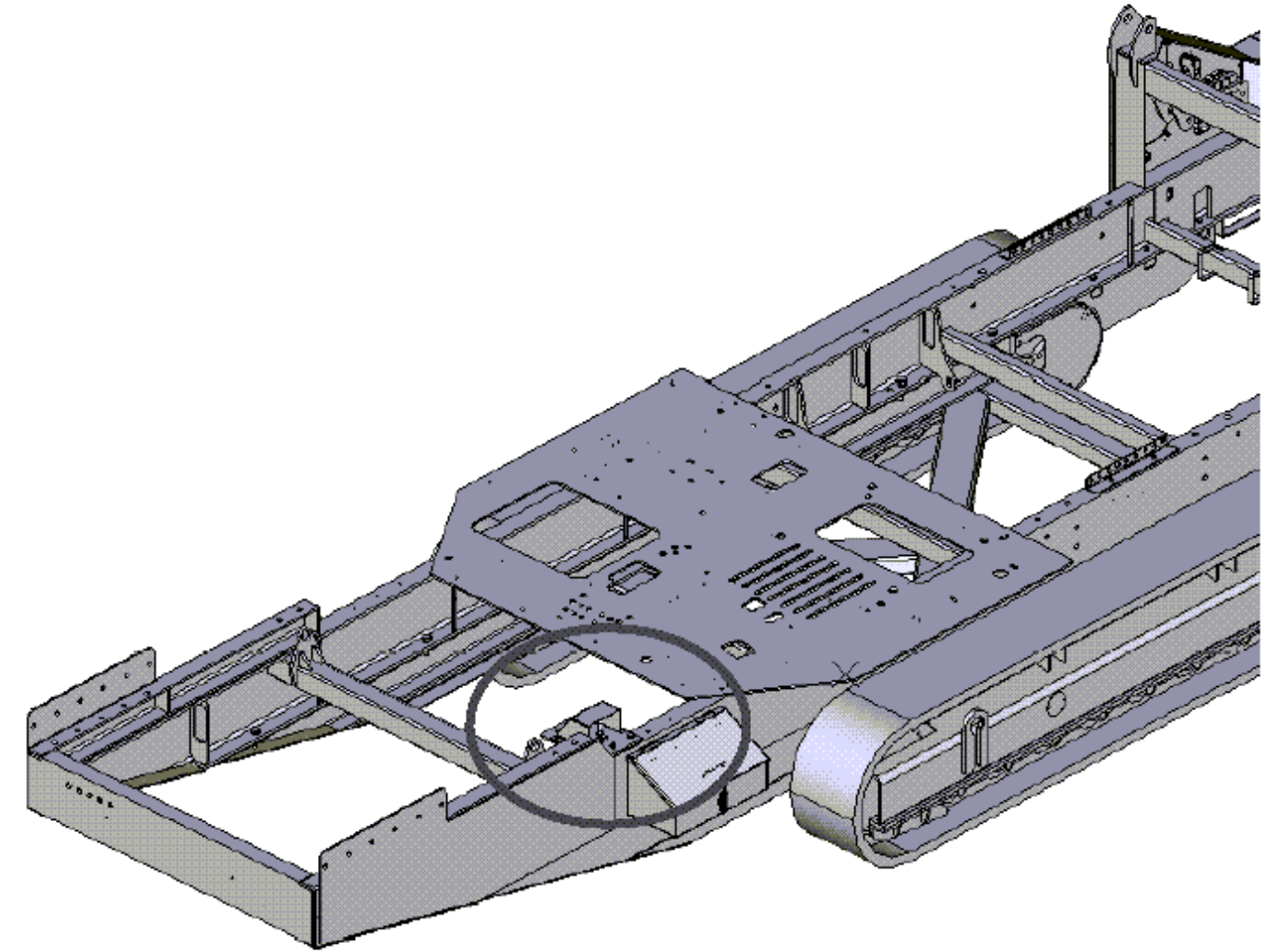
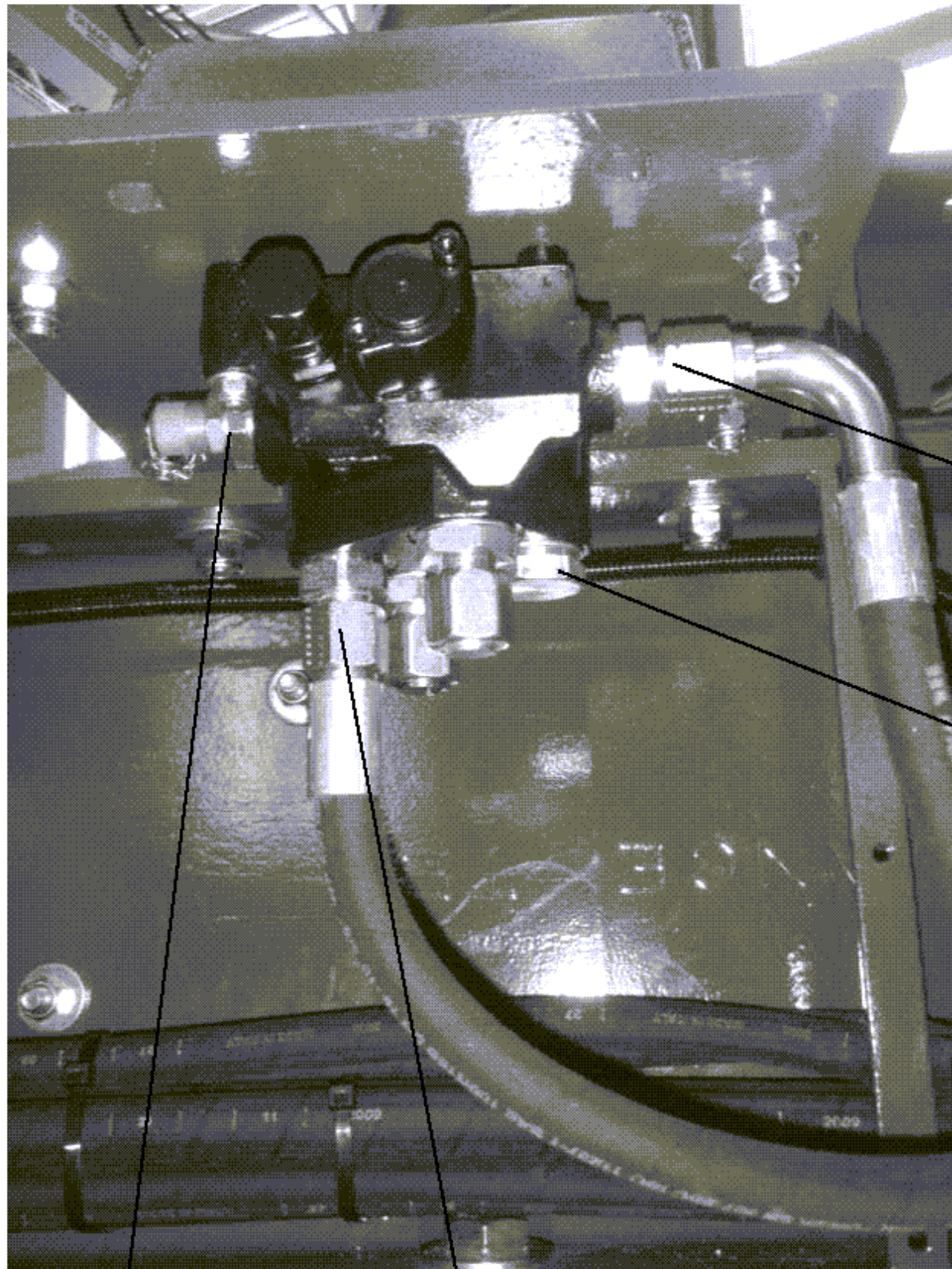
39 40 2

19 36

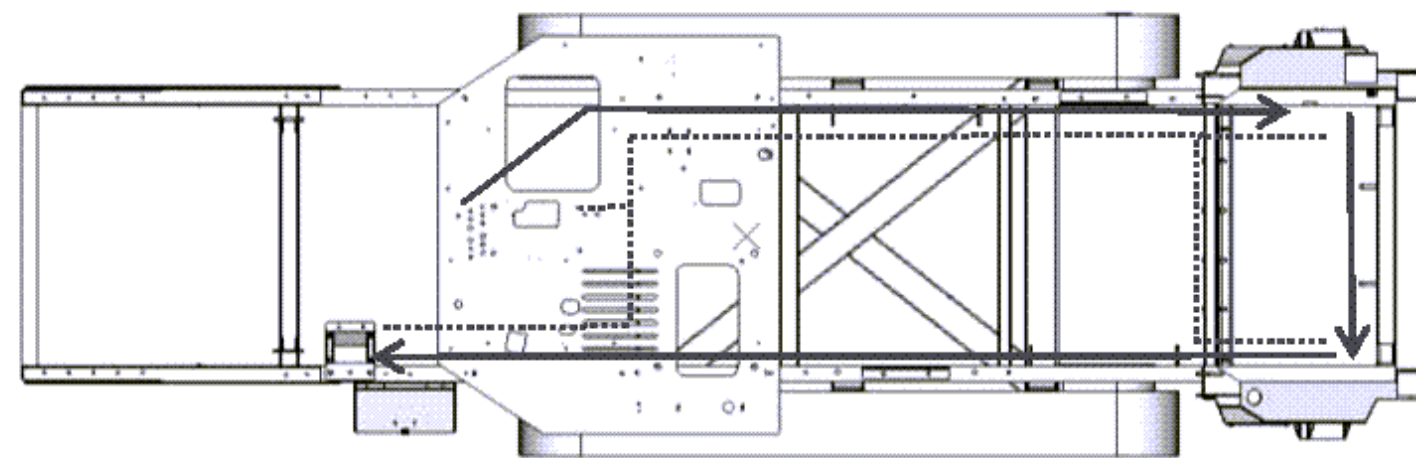


5

6 40 41



Pressure line for hand valves →
Tank line for hand valves - - - - -

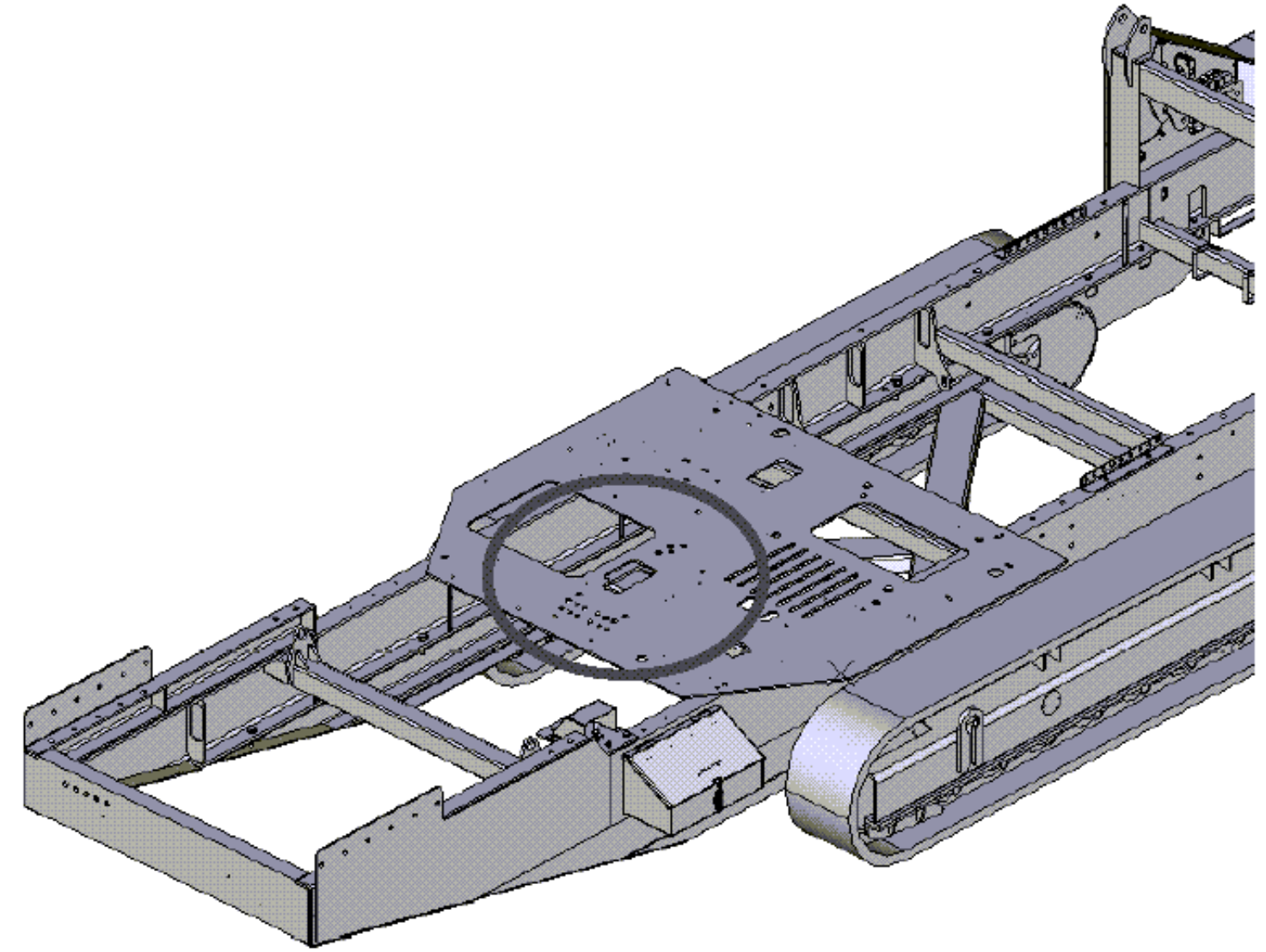
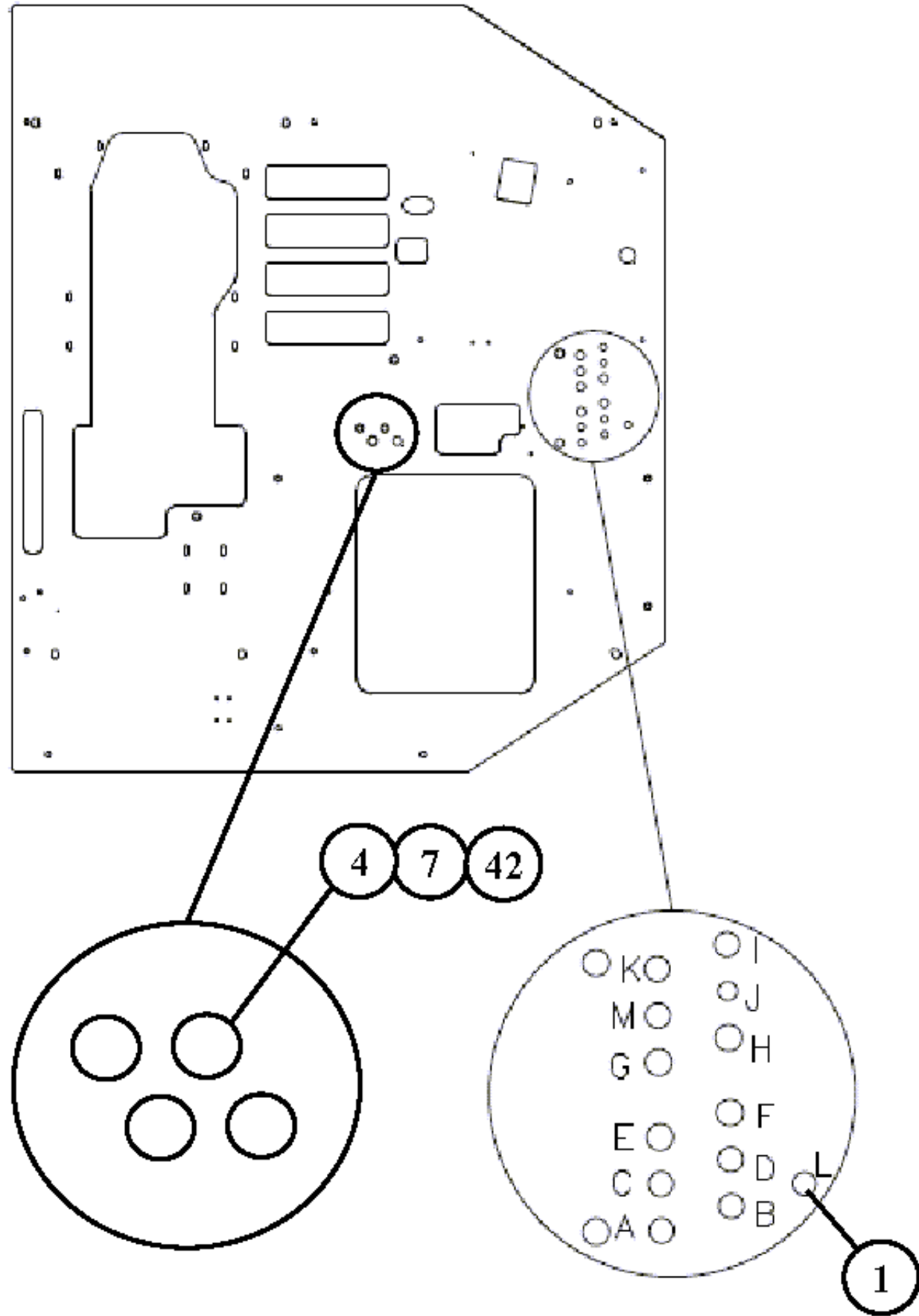


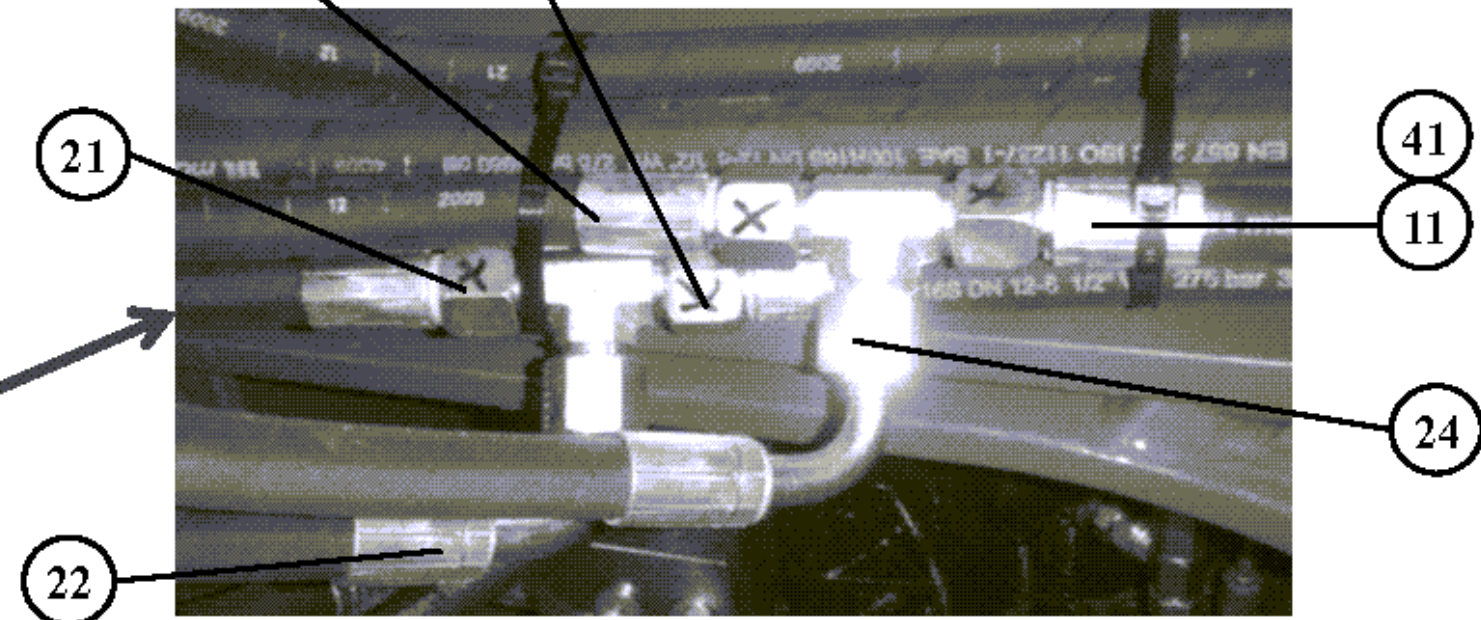
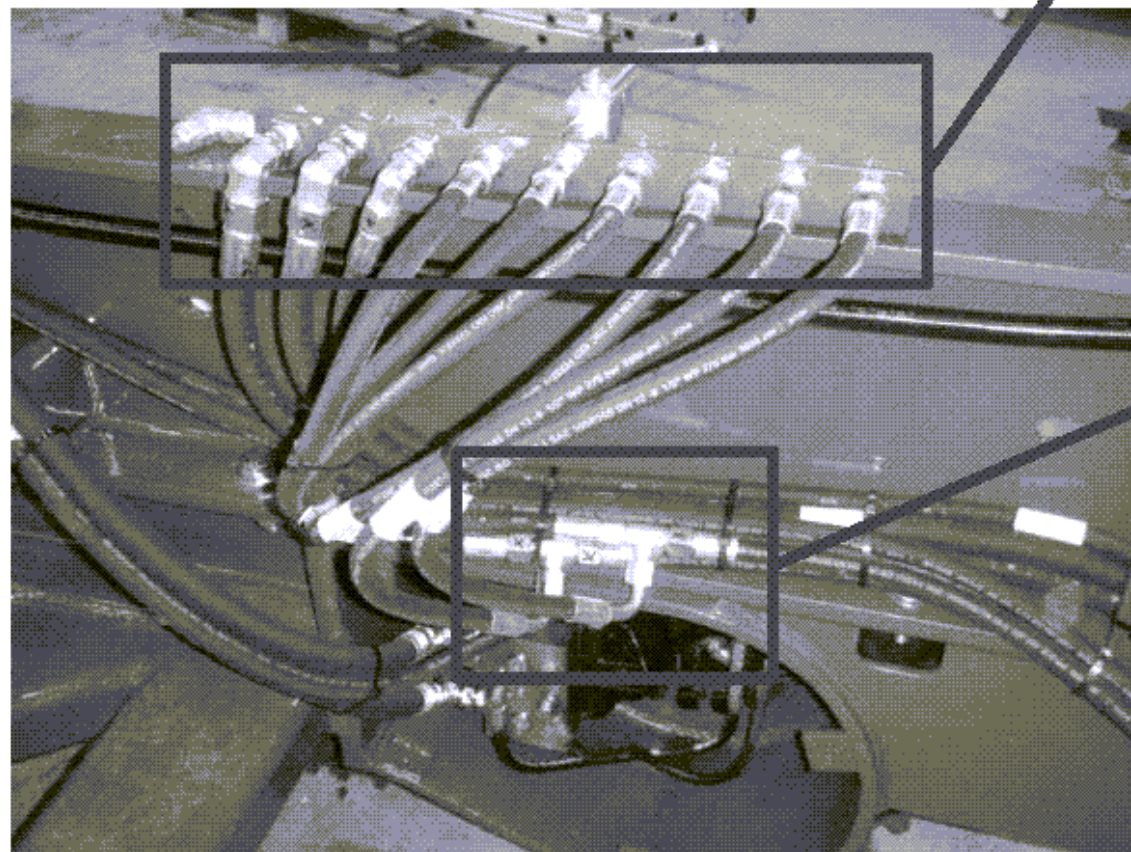
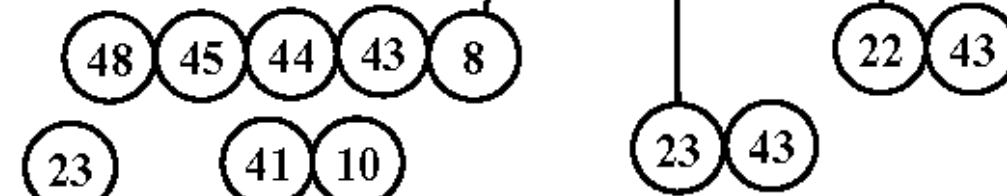
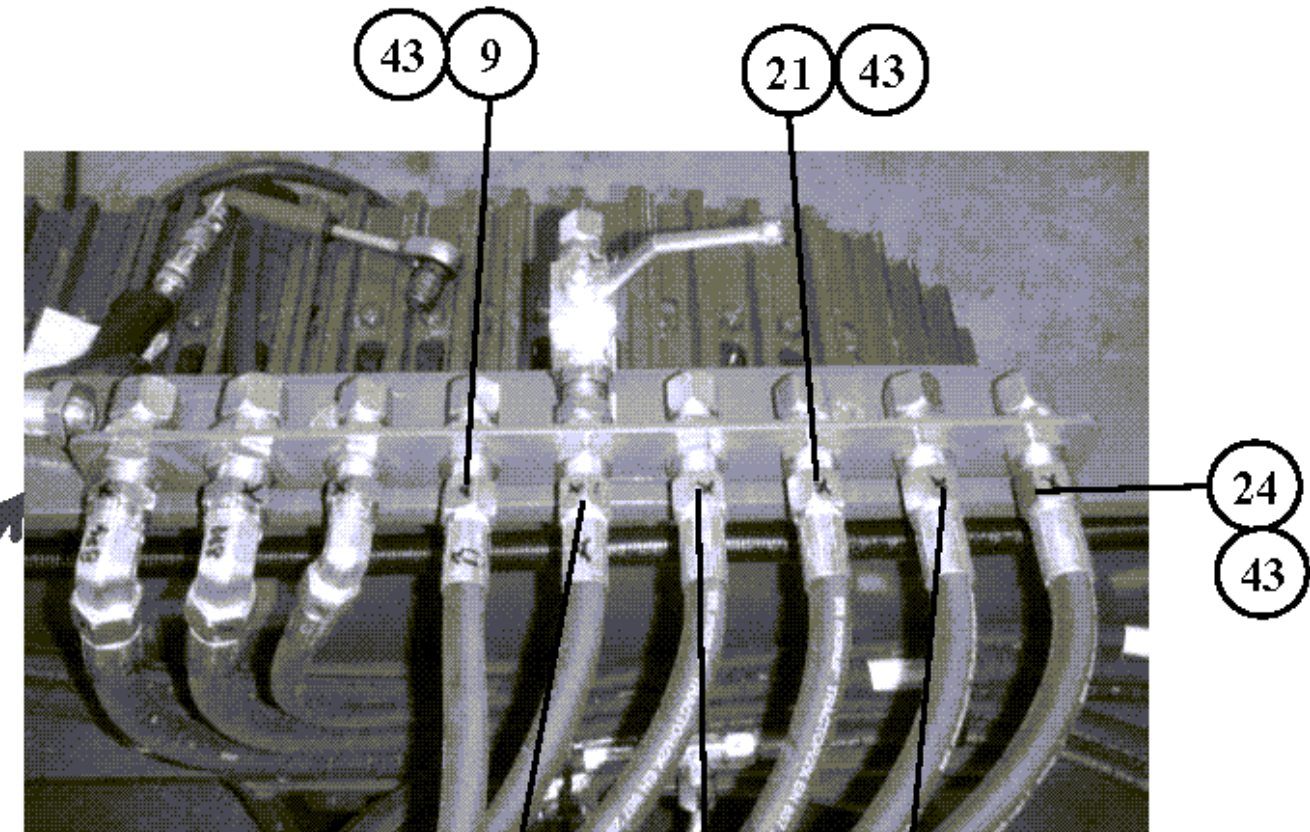
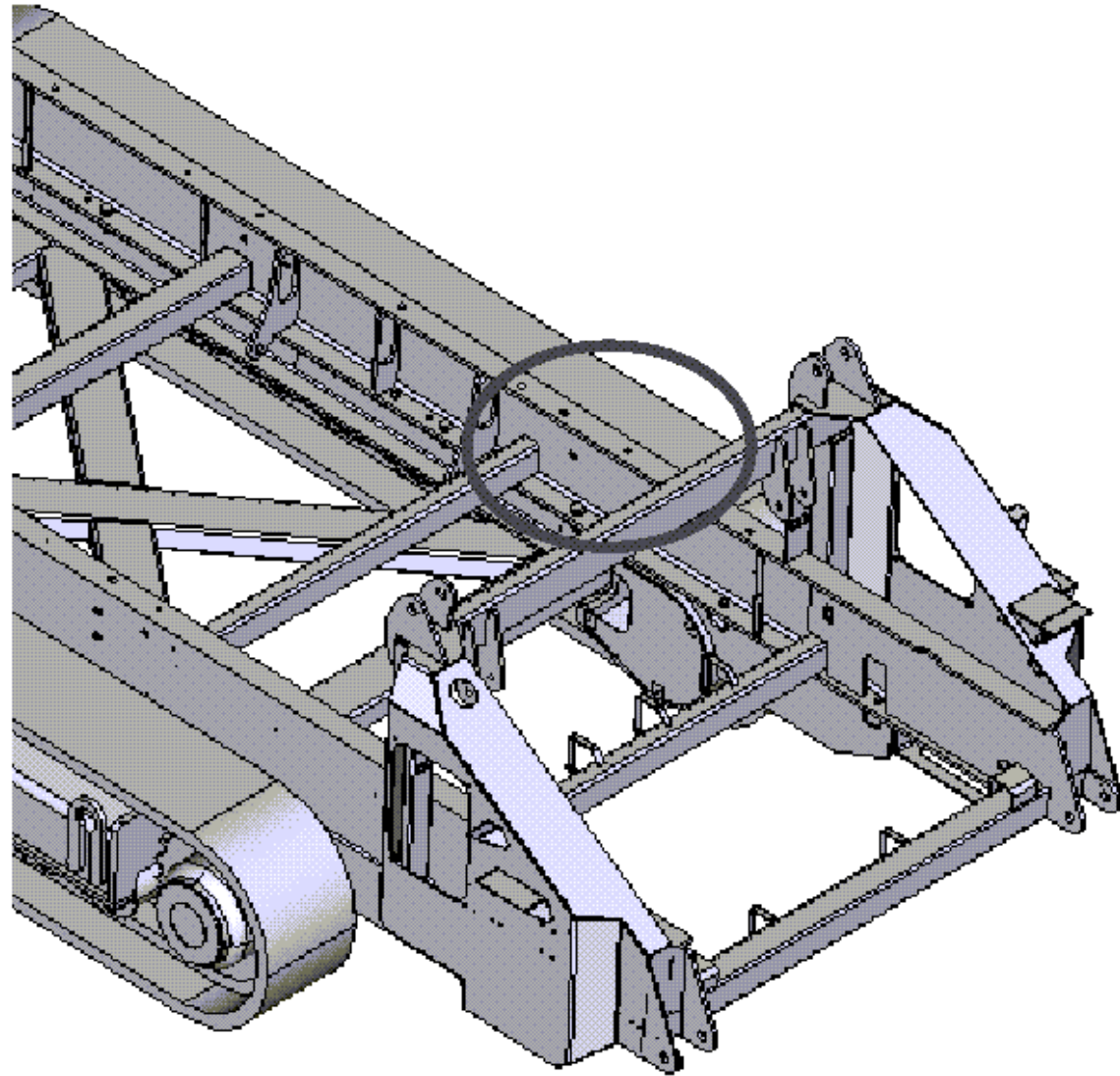
38
47

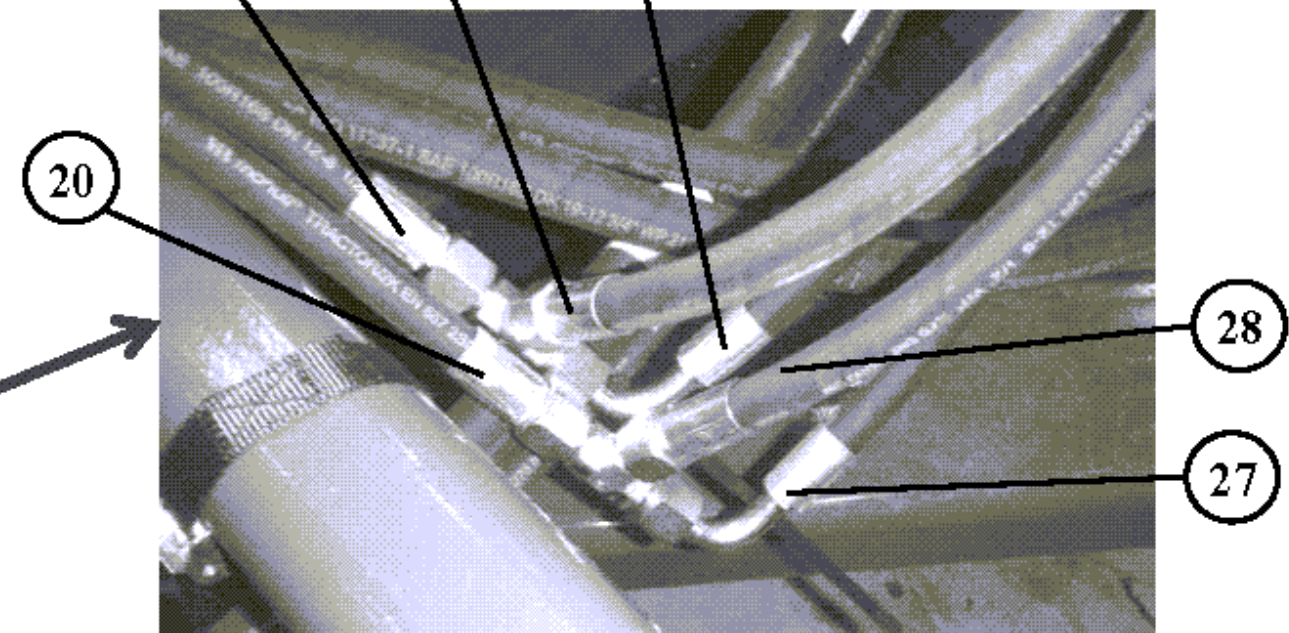
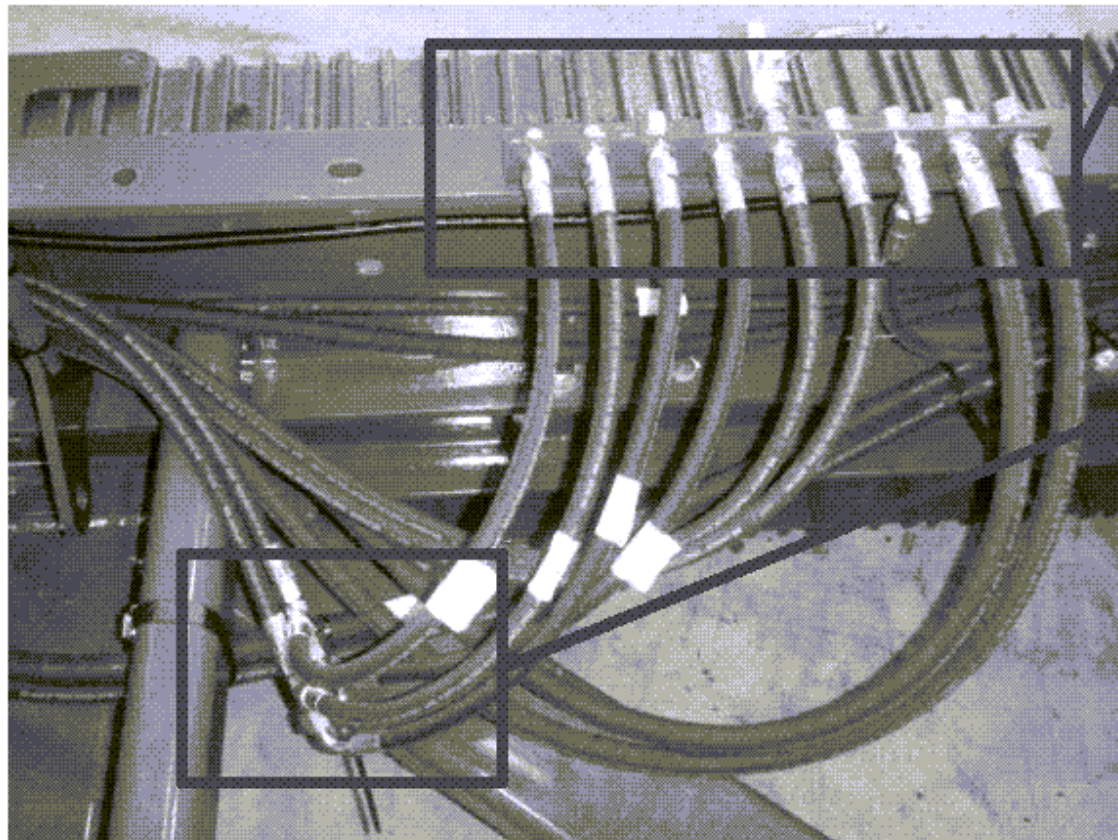
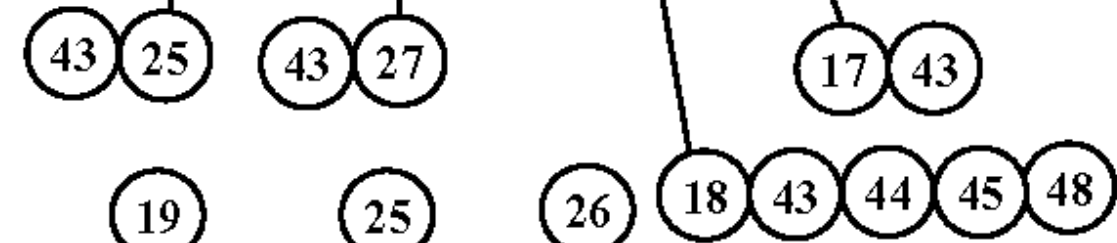
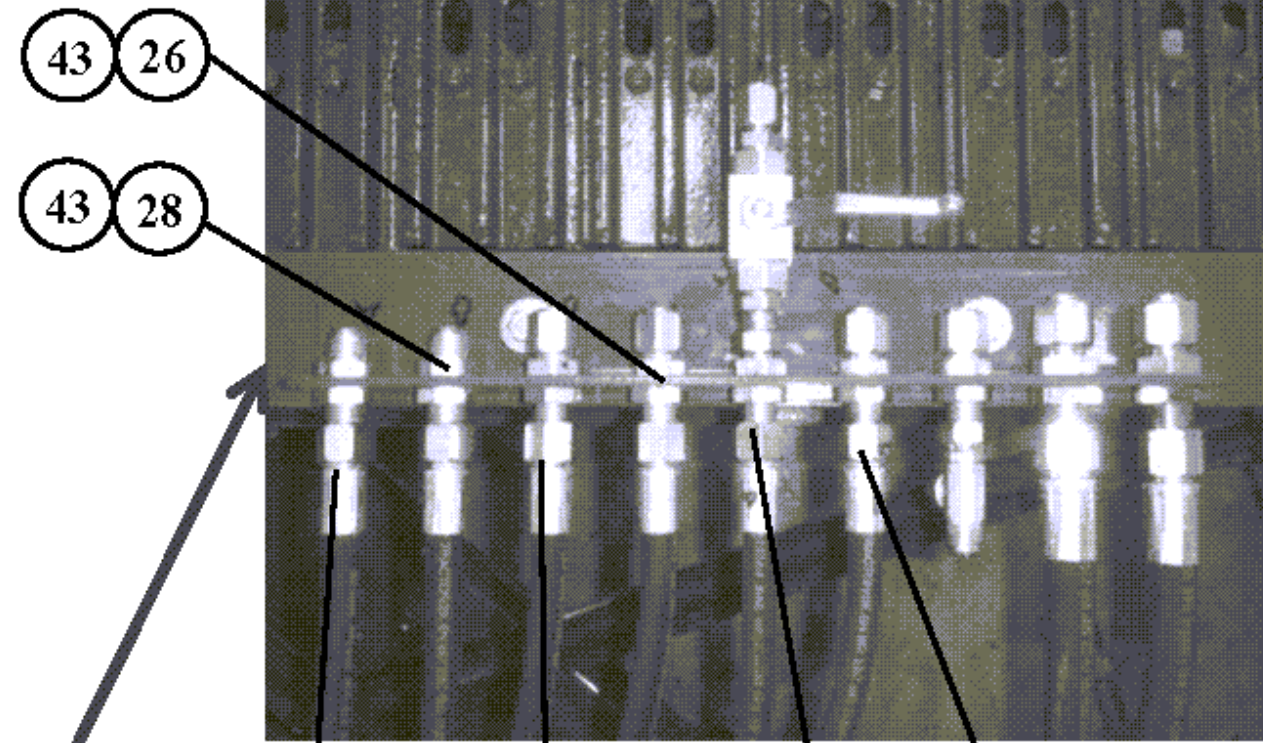
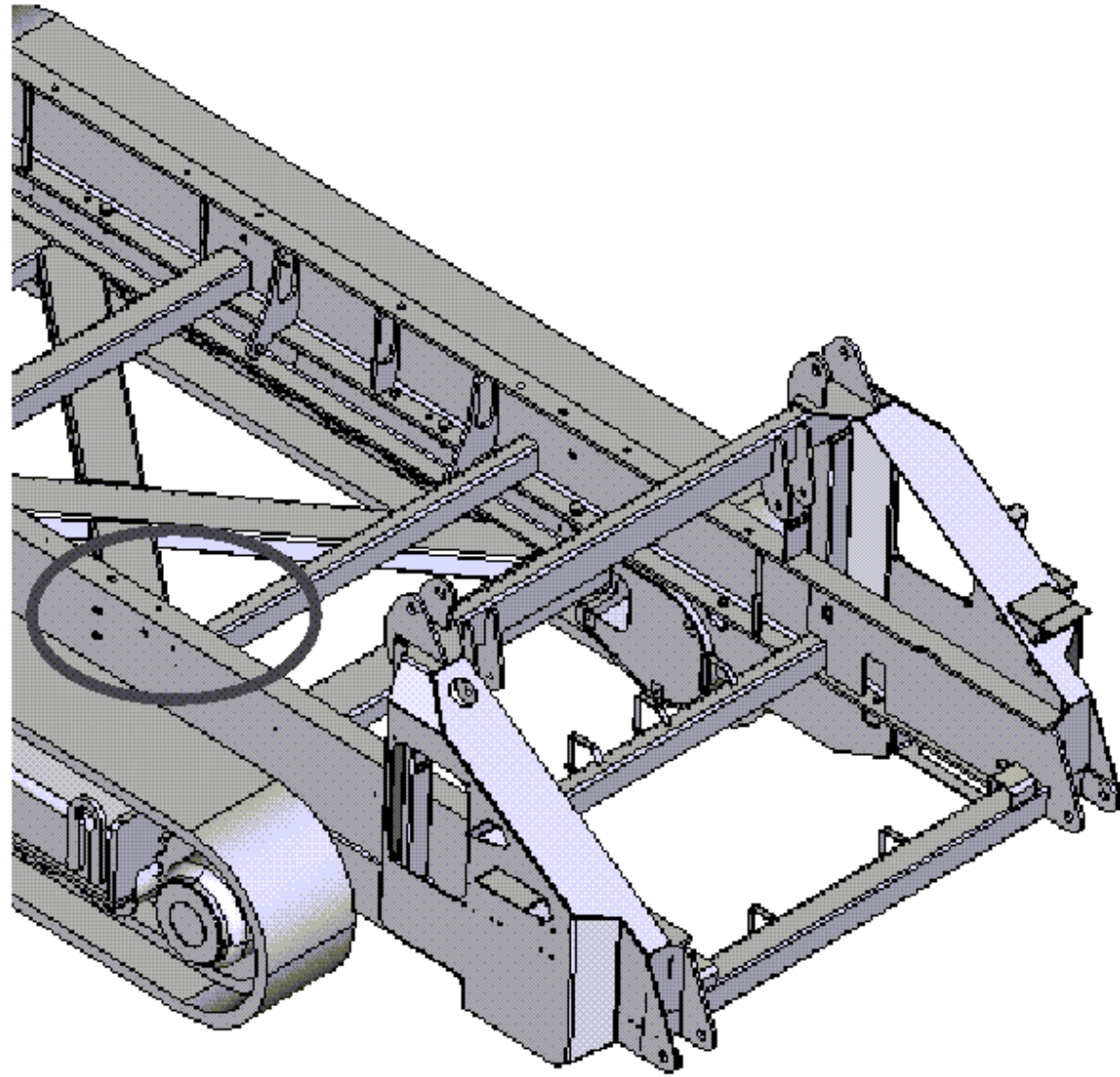
3 39

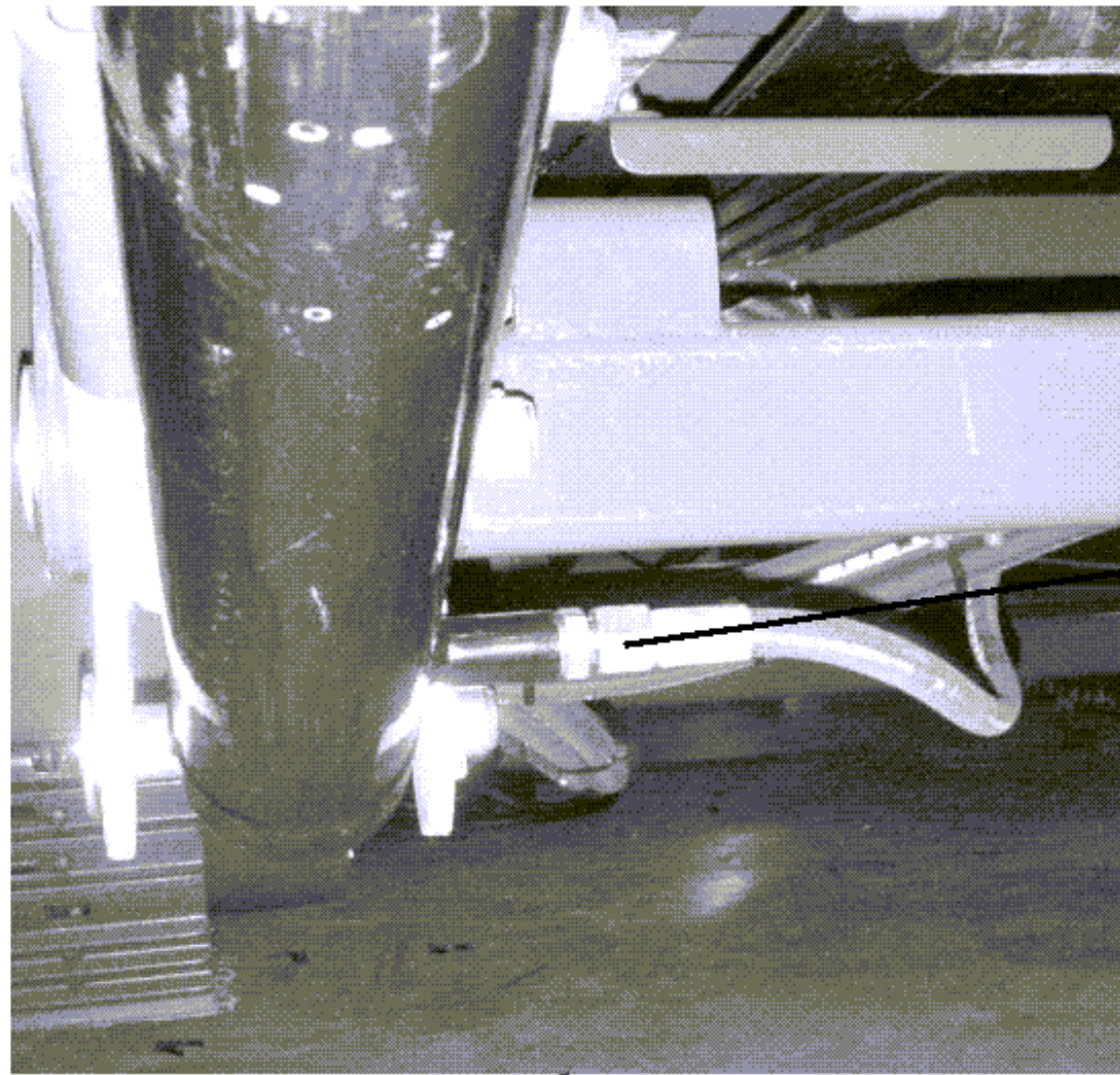
4
39

46

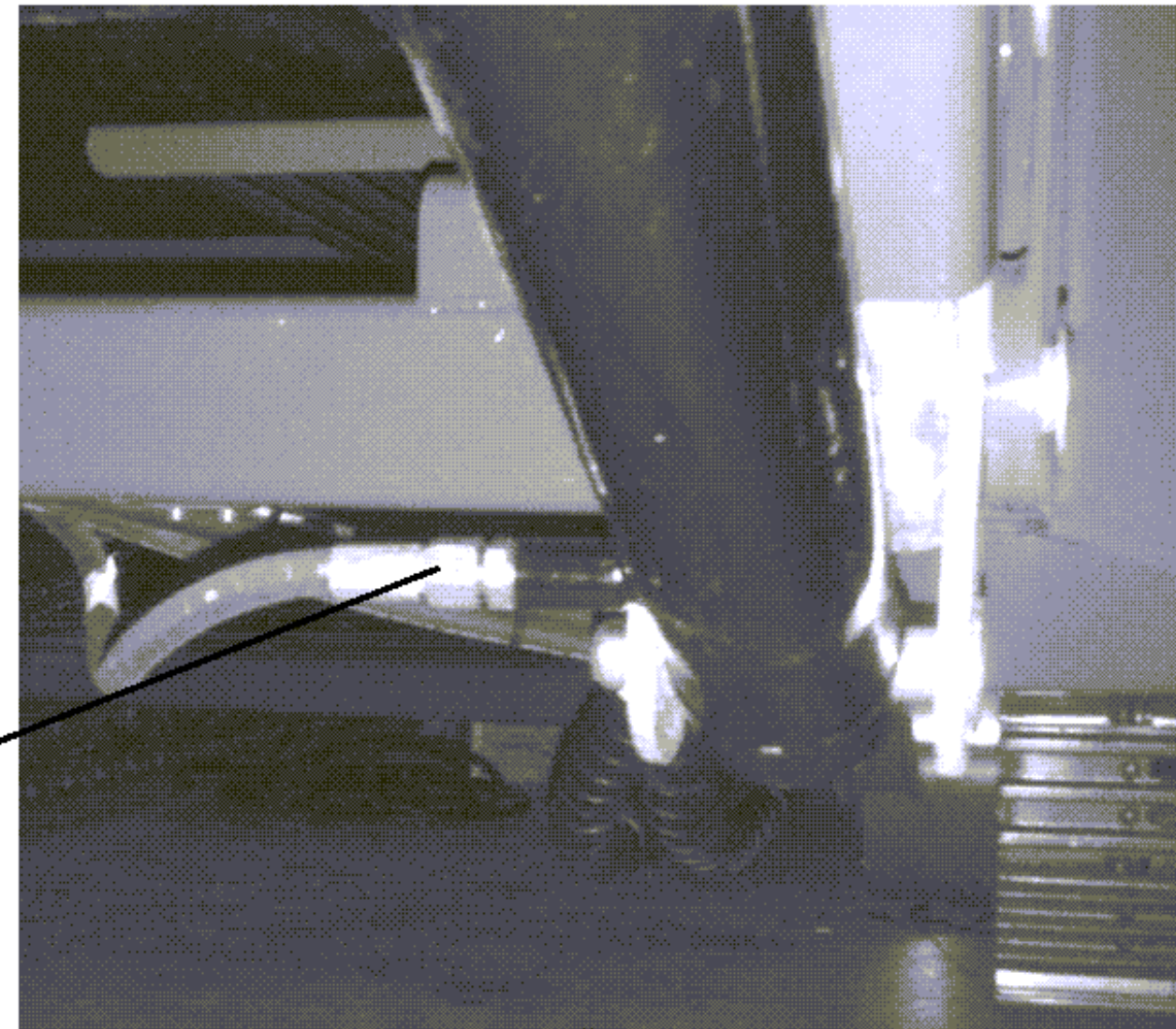




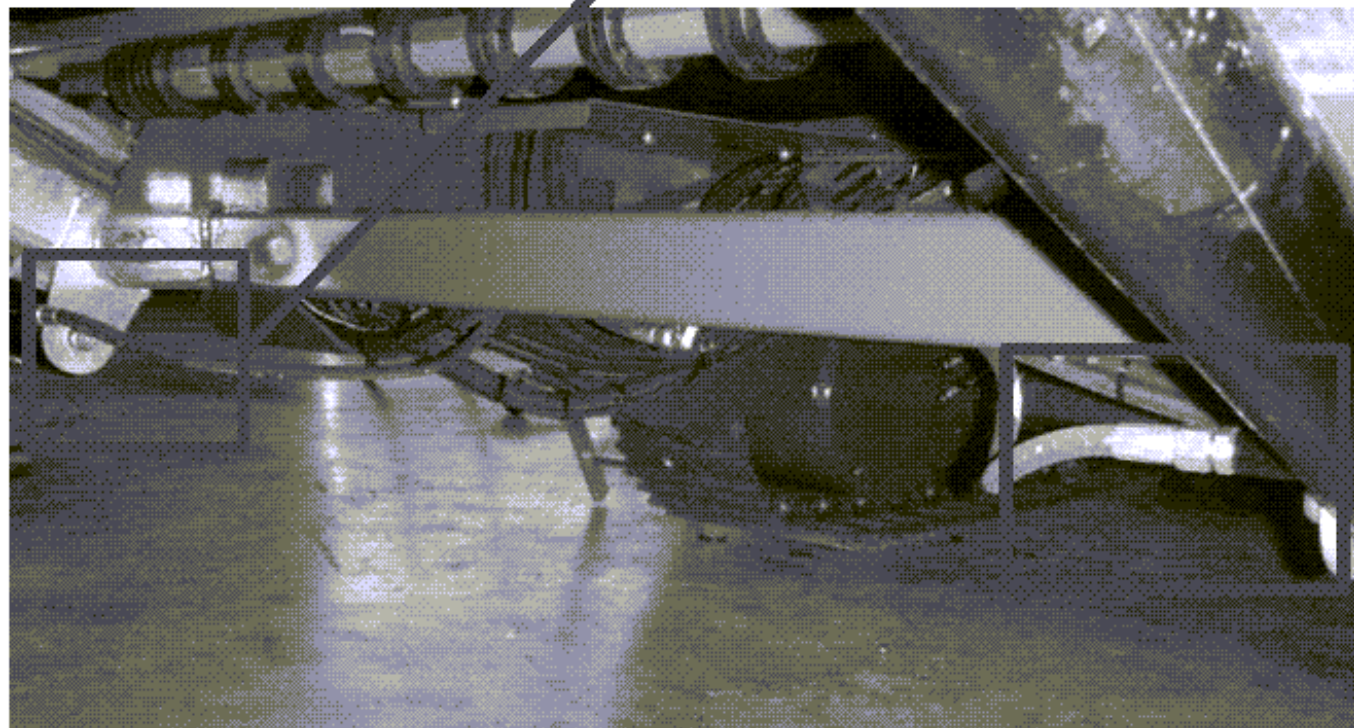


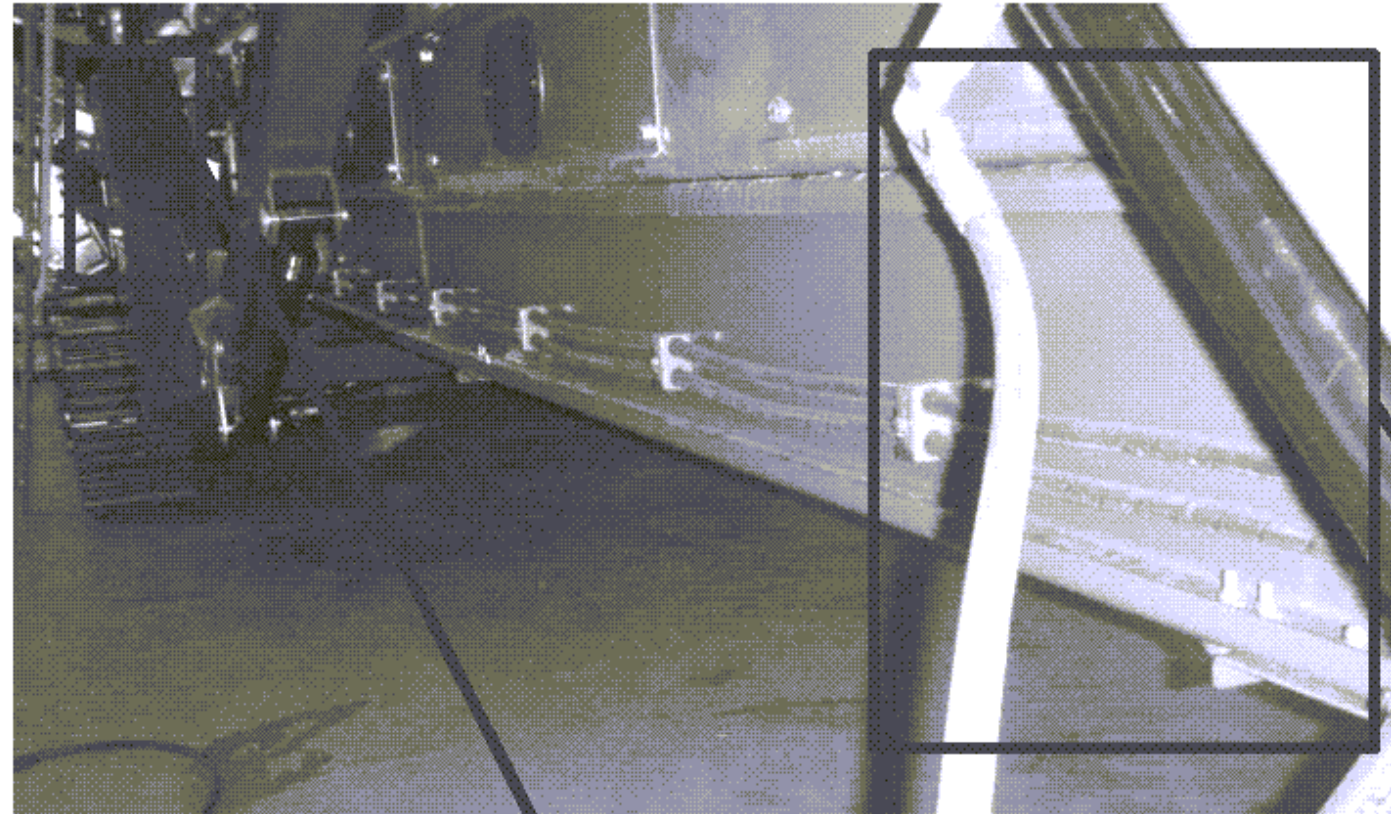


- 45
- 35
- 29

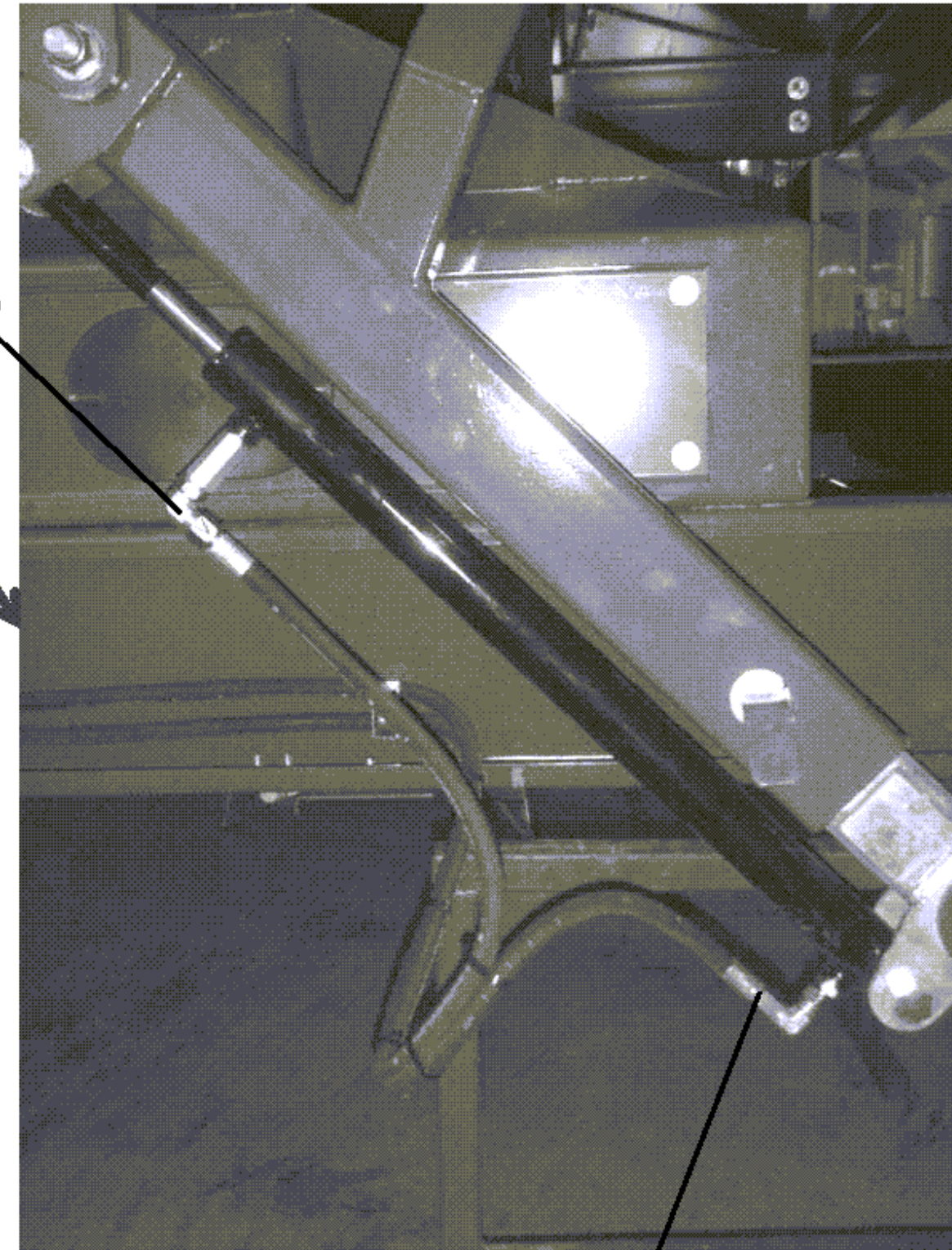


- 30
- 35
- 45

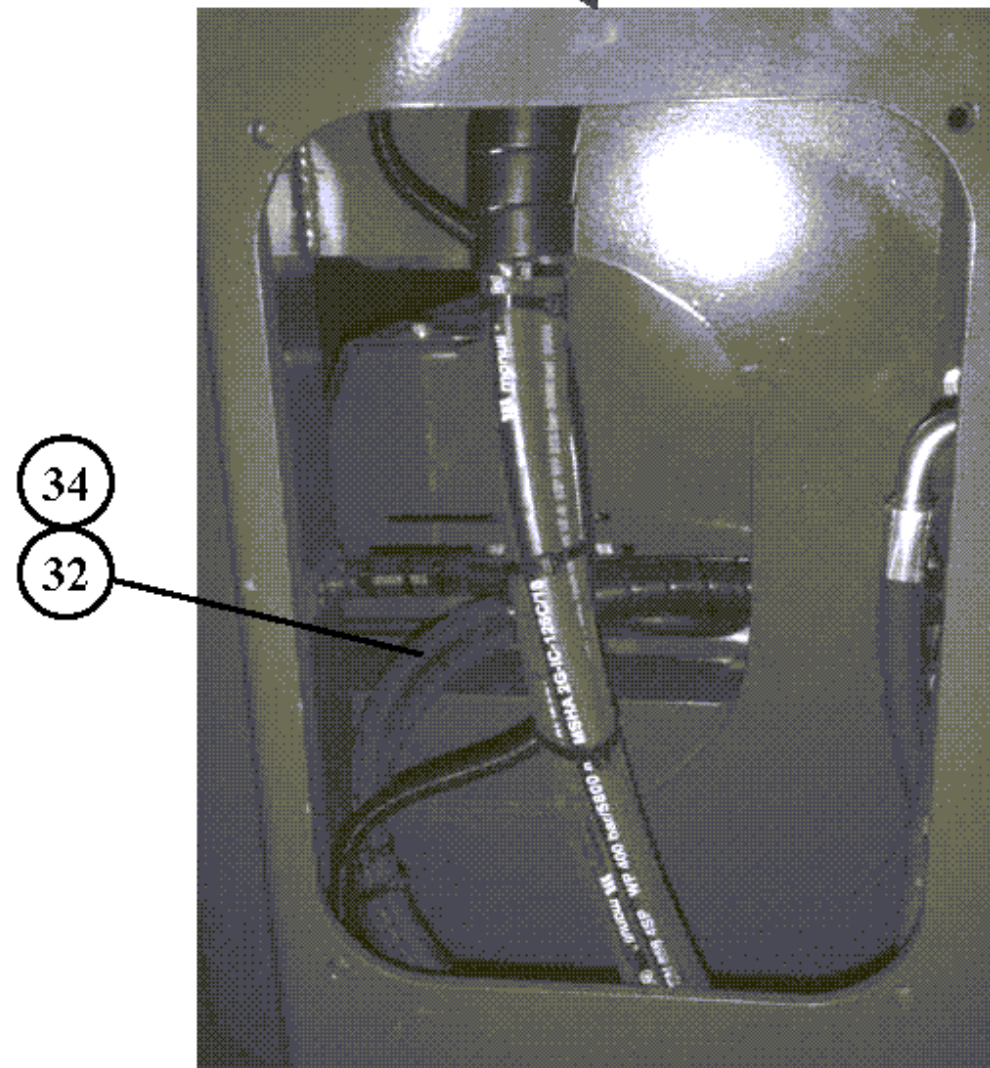




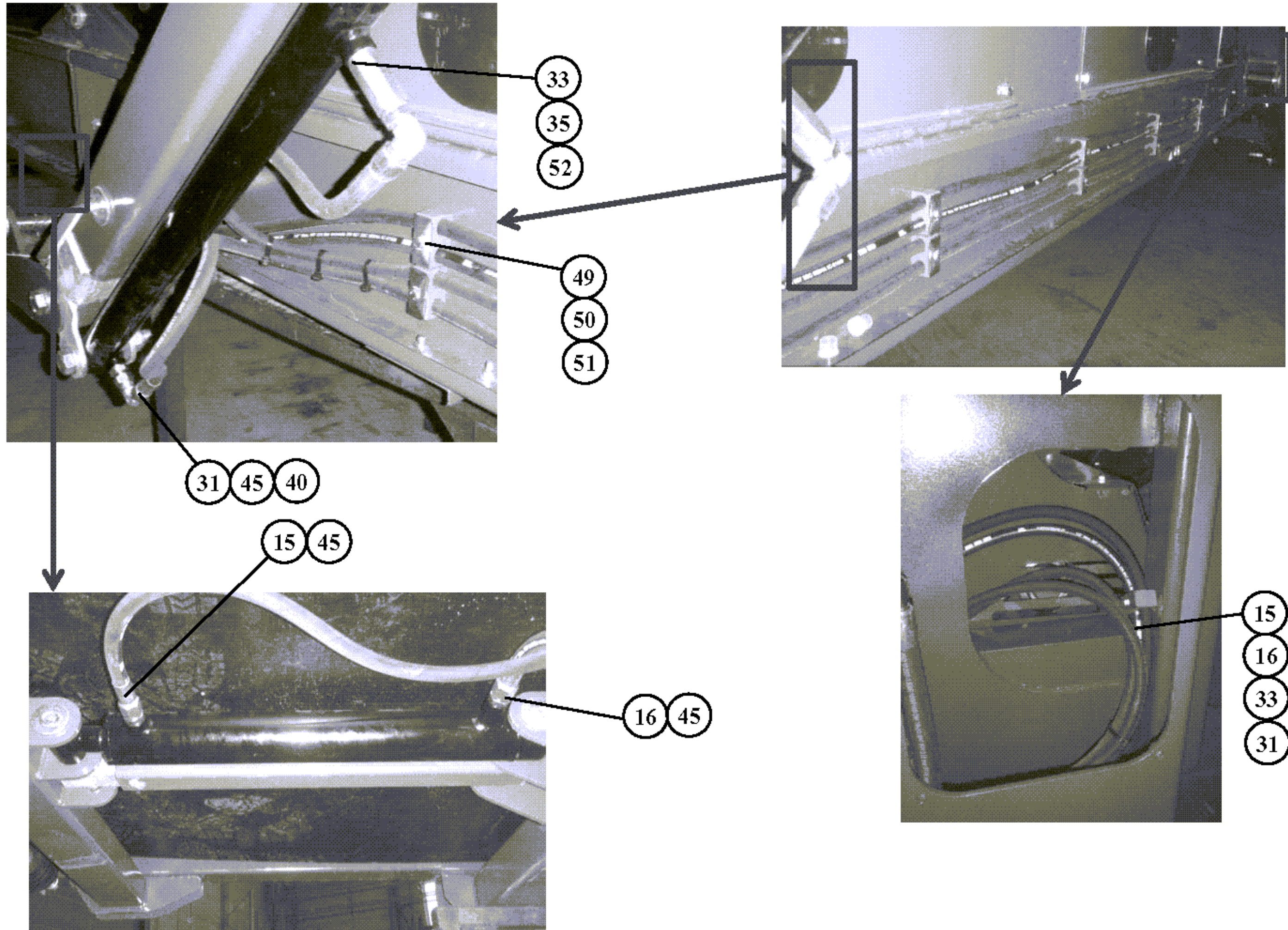
- 52
- 35
- 34



- 45
- 40
- 32



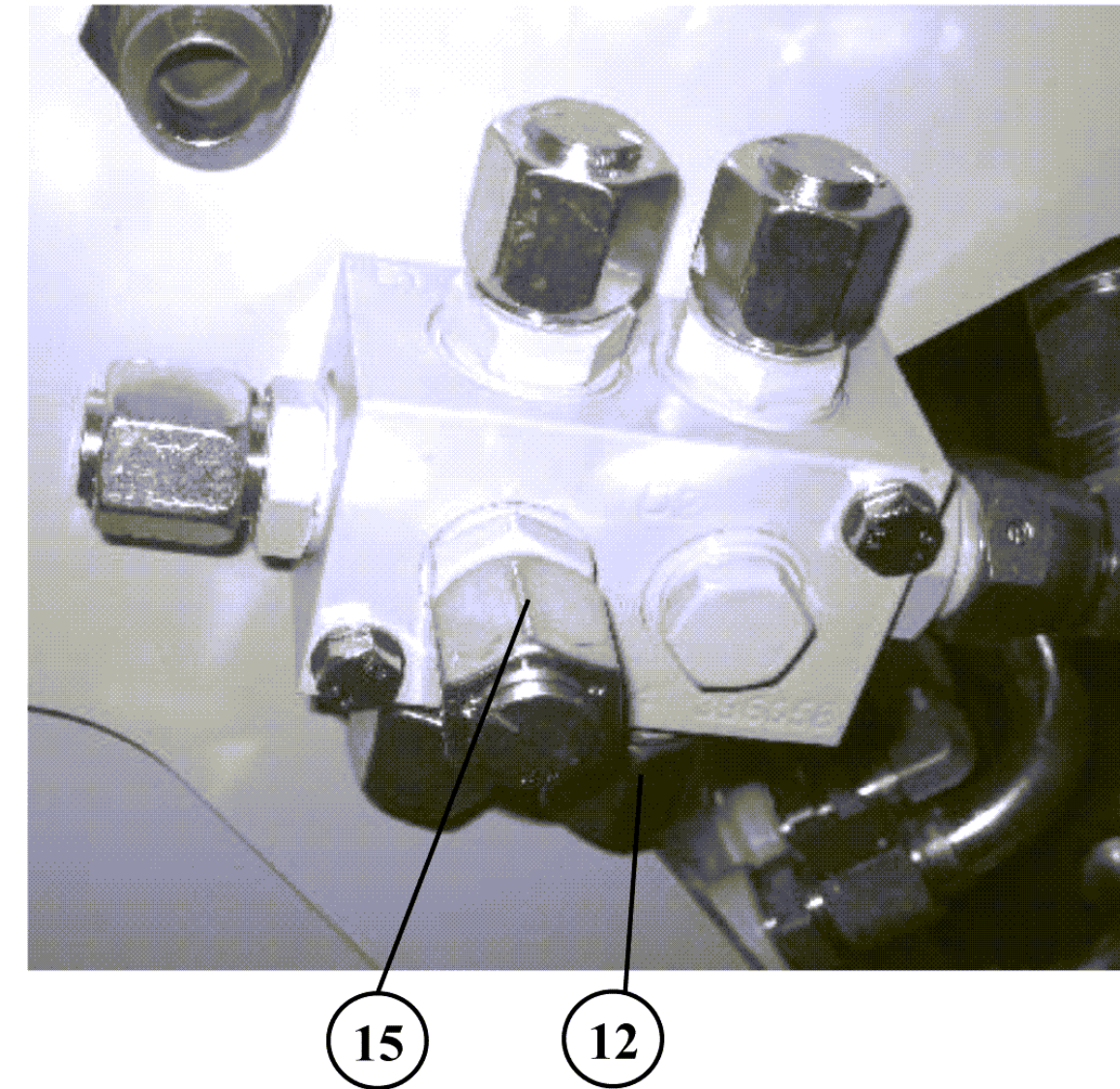
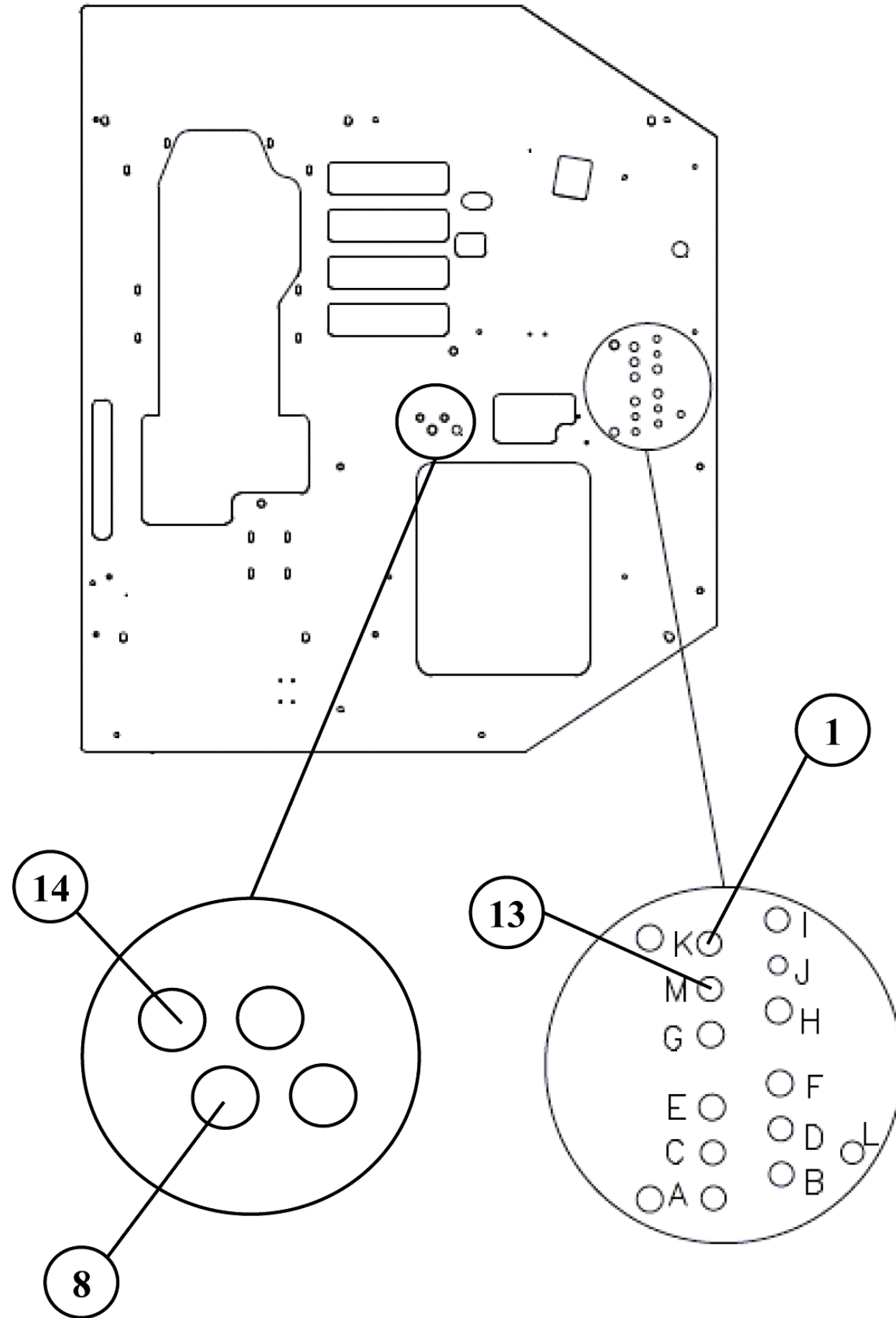
- 34
- 32



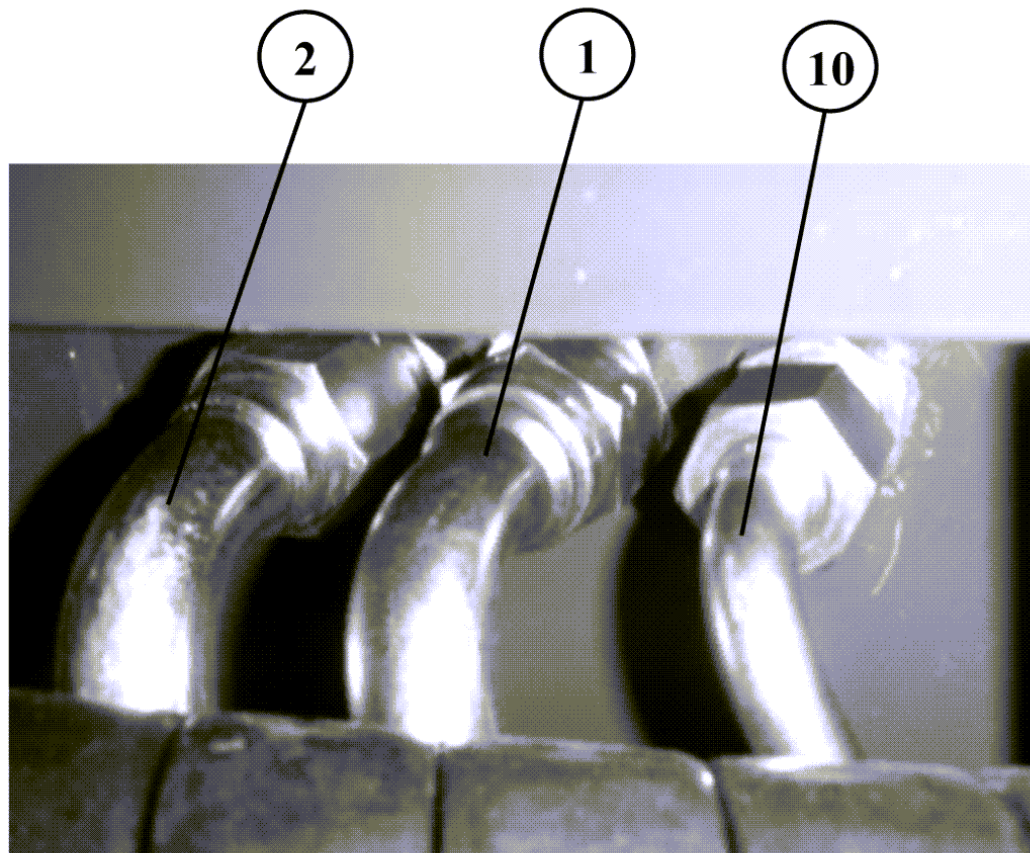
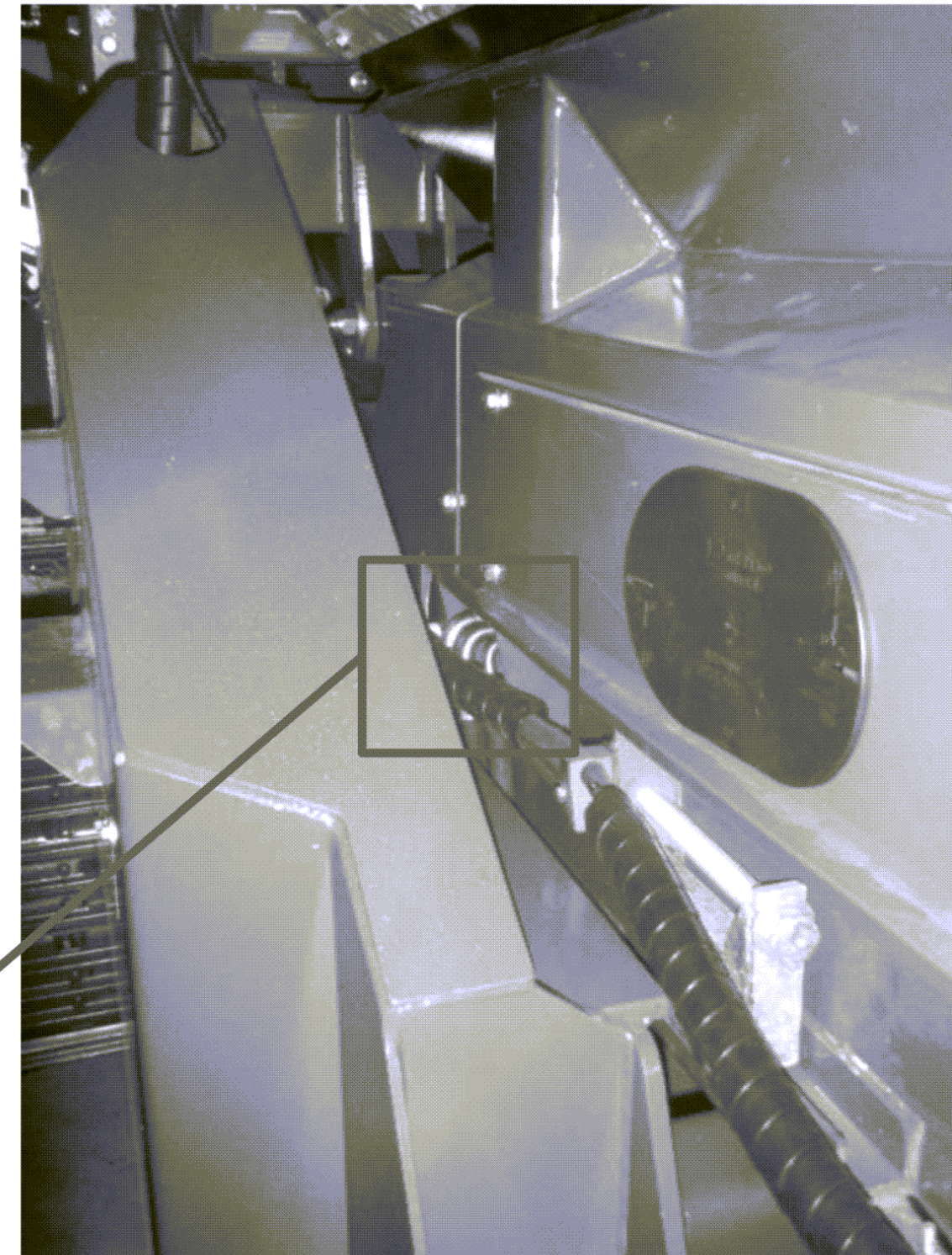
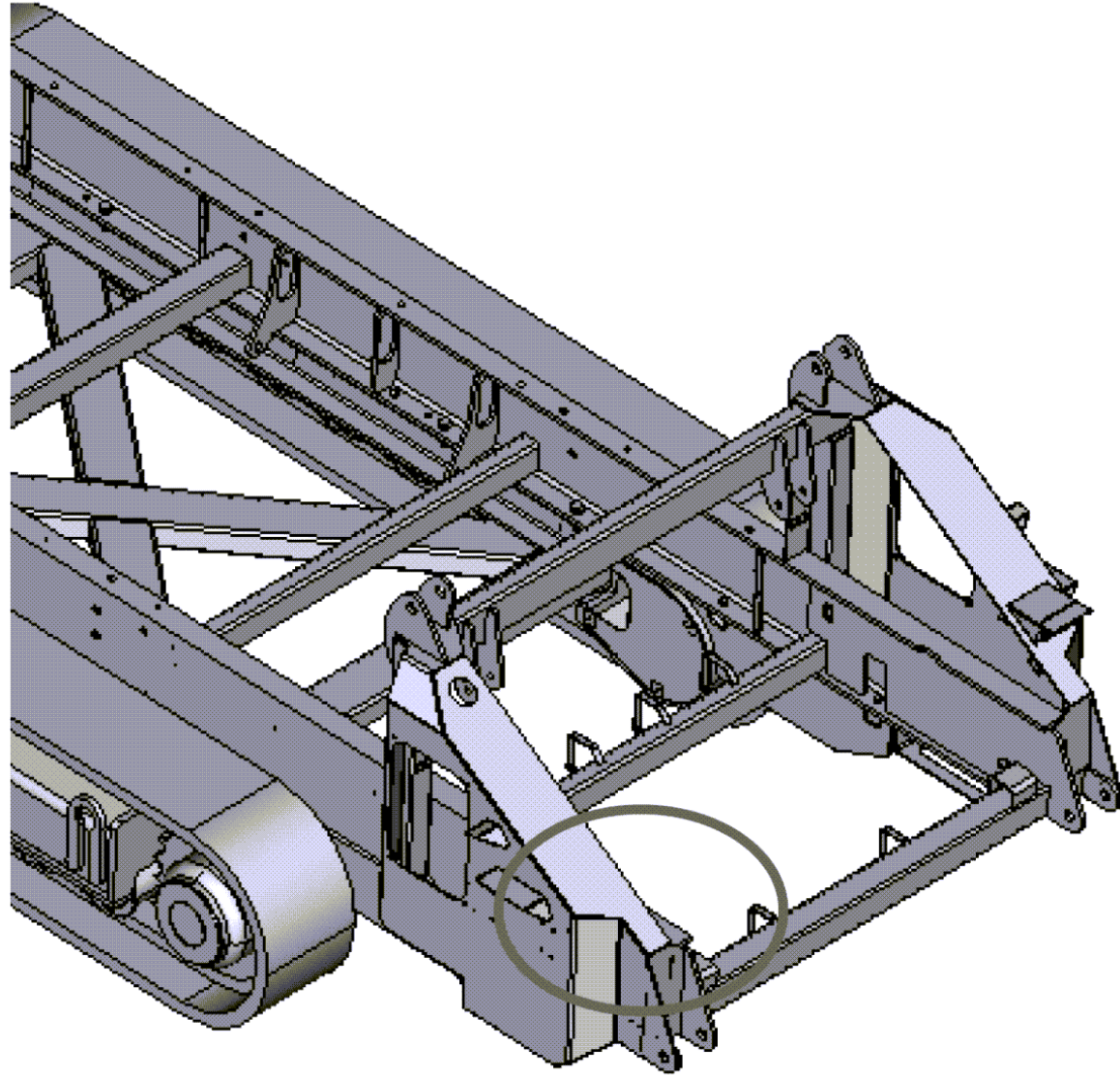
THIS PAGE HAS BEEN LEFT INTENTIONALLY BLANK

Pos.	Part No.	Description	Qty	Net Wght
1	MM0278543	HYDRAULIC HOSE	1	4.46
2	N44460888	HYDRAULIC HOSE	1	2.68
3	MM0211873	HYDRAULIC HOSE	1	4.82
4	MM0211874	HYDRAULIC HOSE	1	
5	MM0278545	HYDRAULIC HOSE	1	1.42
6	MM0278544	HYDRAULIC HOSE	1	1.6
7	MM0278546	HYDRAULIC HOSE	1	3.44
8	N44460886	HYDRAULIC HOSE	1	1.59
9	N44460886	HYDRAULIC HOSE	1	1.59
10	N44460887	HYDRAULIC HOSE	1	1.19
11	N44460887	HYDRAULIC HOSE	1	1.19
12	N44460885	HYDRAULIC HOSE	1	0.97
13	N44460885	HYDRAULIC HOSE	1	0.97
14	N44460885	HYDRAULIC HOSE	1	0.97
15	MM0206421	HYDRAULIC HOSE	1	4.72
16	MM0206422	HYDRAULIC HOSE	1	4.42
17	N44460882	HYDRAULIC HOSE	1	2.18
18	N44460882	HYDRAULIC HOSE	1	2.18
19	N44460883	HYDRAULIC HOSE	1	1.78
20	N44460883	HYDRAULIC HOSE	1	1.78
21	N44460584	HYDRAULIC HOSE	1	0.69
22	N44460586	HYDRAULIC HOSE	1	0.71
23	N44460584	HYDRAULIC HOSE	1	0.69
24	N44460586	HYDRAULIC HOSE	1	0.71
25	N44460584	HYDRAULIC HOSE	1	0.69
26	N44460586	HYDRAULIC HOSE	1	0.71
27	N44460586	HYDRAULIC HOSE	1	0.71
28	N44460584	HYDRAULIC HOSE	1	0.69
29	N44460638	HYDRAULIC HOSE	1	0.81
30	N44460638	HYDRAULIC HOSE	1	0.81
31	MM0212240	HYDRAULIC HOSE	1	4.32
32	MM0212240	HYDRAULIC HOSE	1	4.32
33	MM0212240	HYDRAULIC HOSE	1	4.32
34	MM0212240	HYDRAULIC HOSE	1	4.32
35	N02456150	HOSE BURST VALVE	4	0.02
36	MM0317241	HYDRAULIC FITTING	12	0.160
37	MM0317245	HYDRAULIC FITTING	1	0.160
38	706203392200	MEASURE ADAPTER	3	0.1
39	706300790066	CONNECTION	8	0.16
40	706300790000	CONNECTION	11	0.2
41	706300790550	EQUAL TEE	6	0.18
42	706300790092	CONNECTION	1	0.2
43	706300790585	CONNECTION	12	0.15
44	706203312900	BALL VALVE	2	0.67
45	706300790065	CONNECTION	8	0.103
46	706202487240	TERMINAL PLUG	4	0.07
47	706202397000	NIPPLE	3	0.1
48	706300792350	CONNECTION	2	0.1
49	N02118902	FASTENER PAIR	19	0.1
50	N02118993	COVERING PLATE	19	0.1
51	N01530109	BOLT, HEXAGONAL	19	0.02
52	MM0318028	HYDRAULIC FITTING	4	0.1

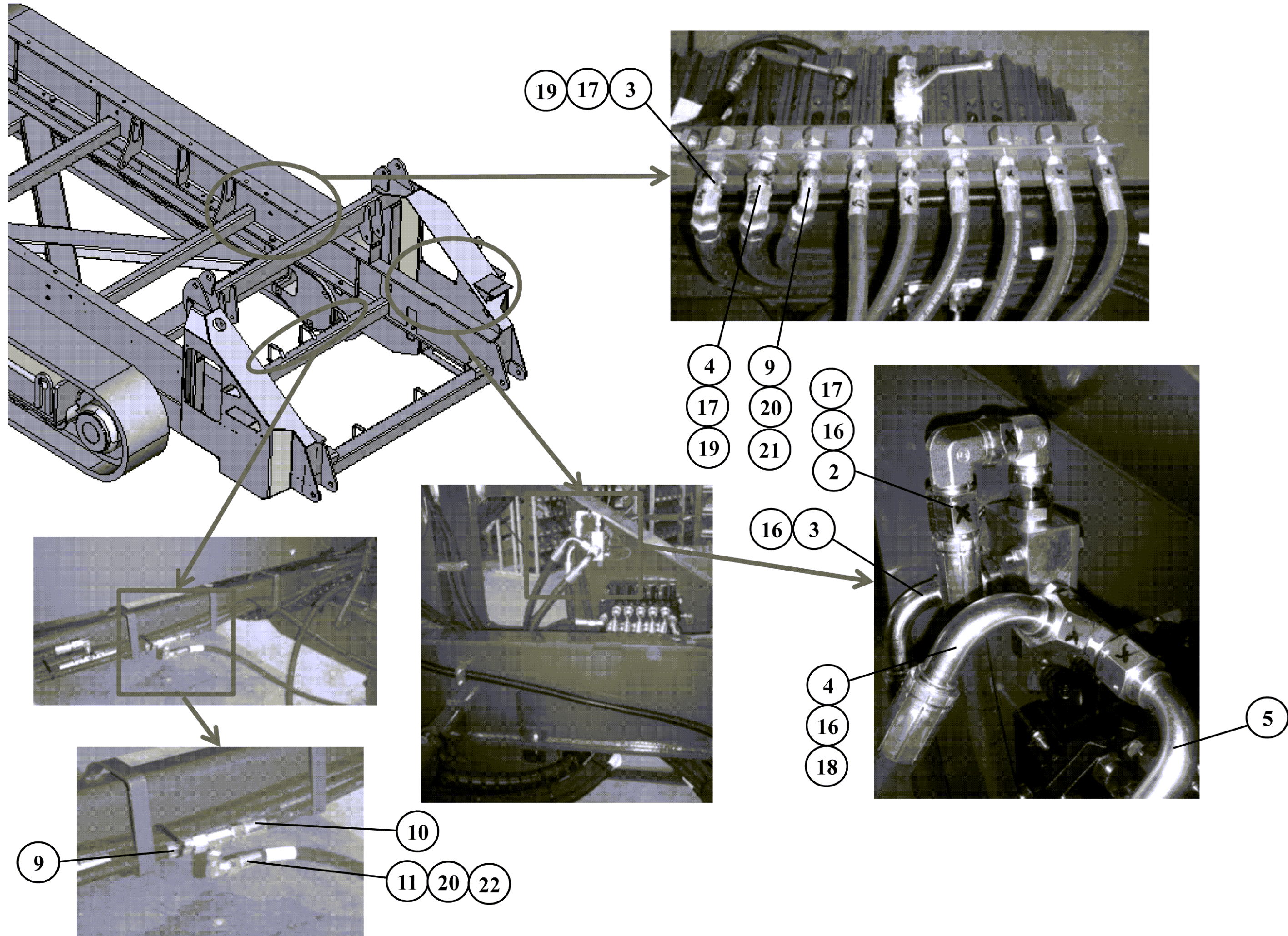
Engine module frame plate from above



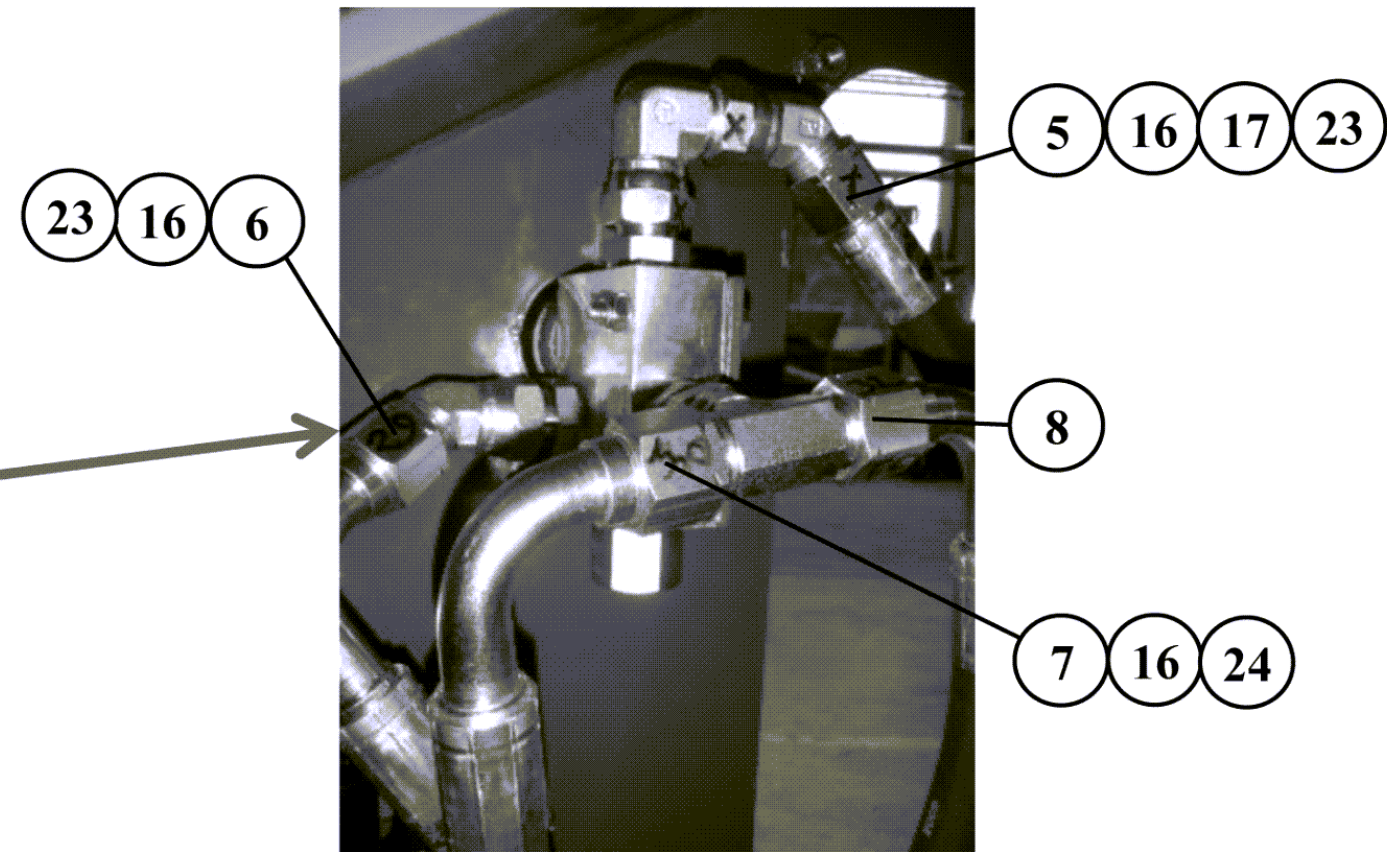
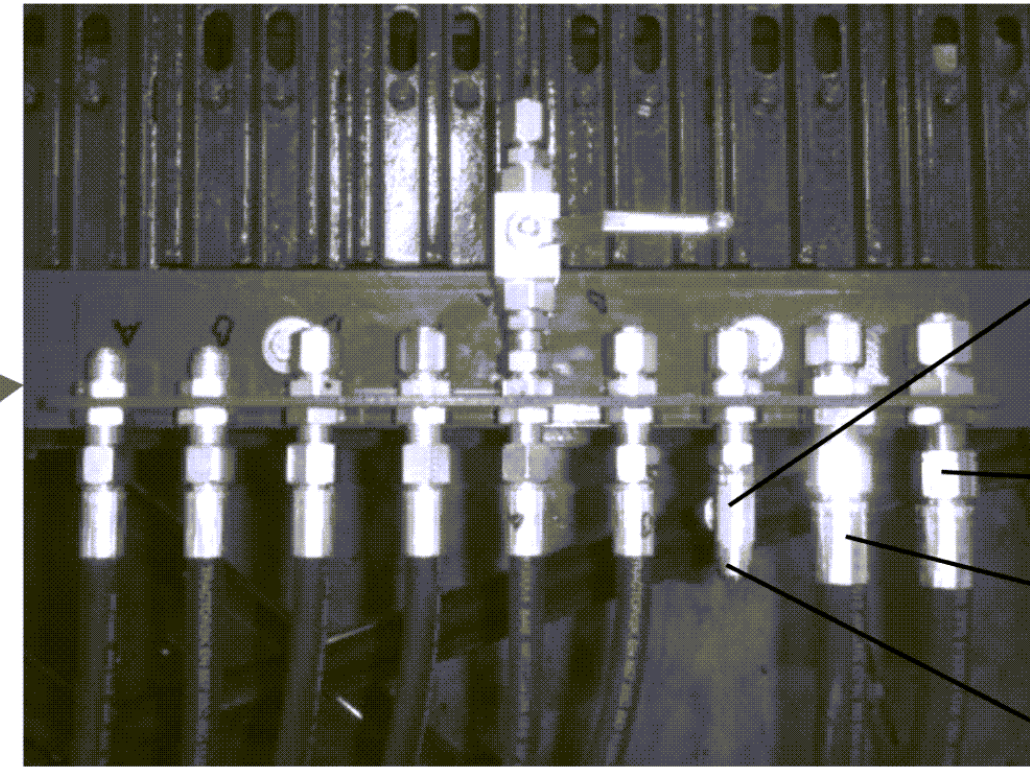
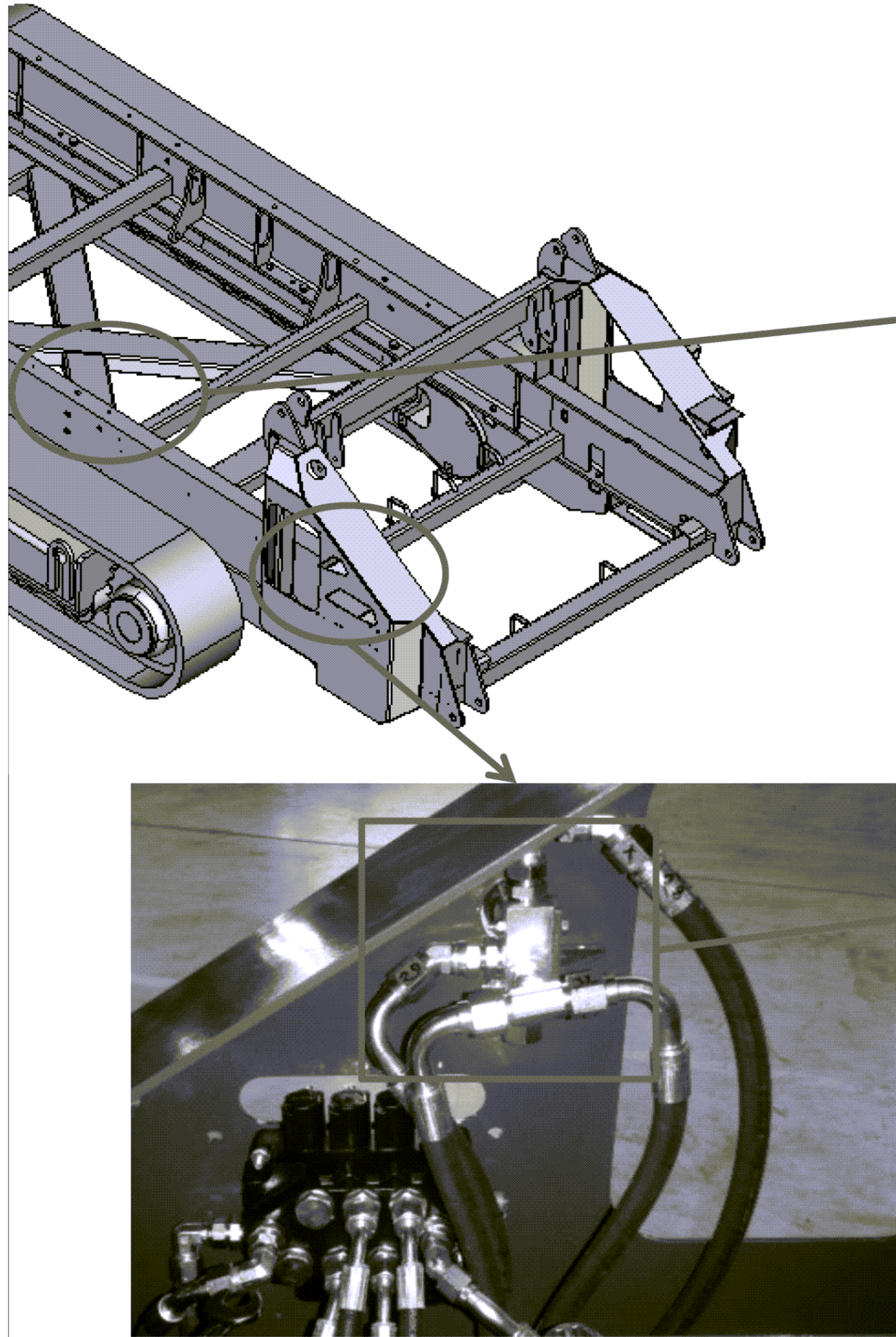
Pos.	Part No.	Description	Qty	Net Wght
1	MM0315949	HYDRAULIC HOSE	1	5.9
2	MM0226161	HYDRAULIC HOSE	1	3.59
3	N44460894	HYDRAULIC HOSE	1	2.83
4	N44460890	HYDRAULIC HOSE	1	2.99
5	N44460599	HYDRAULIC HOSE	1	3.83
6	MM0207246	HYDRAULIC HOSE	1	4.05
7	MM0207245	HYDRAULIC HOSE	1	3.97
8	MM0226396	HYDRAULIC HOSE	1	
9	N44460606	HYDRAULIC HOSE	1	1.18
10	MM0239285	HYDRAULIC HOSE	1	1.2
11	N44460605	HYDRAULIC HOSE	1	1.87
12	MM0220124	HYDRAULIC HOSE	1	2.07
13	MM0212244	HYDRAULIC HOSE	1	4.88
14	MM0212243	HYDRAULIC HOSE	1	4.48
15	MM0220123	HYDRAULIC HOSE	1	3.11
16	706300790070	CONNECTION	6	0.16
17	706300790002	CONNECTION	5	0.26
18	706300790093	CONNECTION	1	0.319
19	706300790590	CONNECTION	4	0.4
20	706300790000	CONNECTION	2	0.2
21	706300790585	CONNECTION	2	0.15
22	706300790550	EQUAL TEE	1	0.18
23	706300793650	CONNECTION	6	0.203
24	706300790105	CONNECTION	1	0.328
25	706300790092	CONNECTION	1	0.2
26	706300793645	CONNECTION	1	0.131



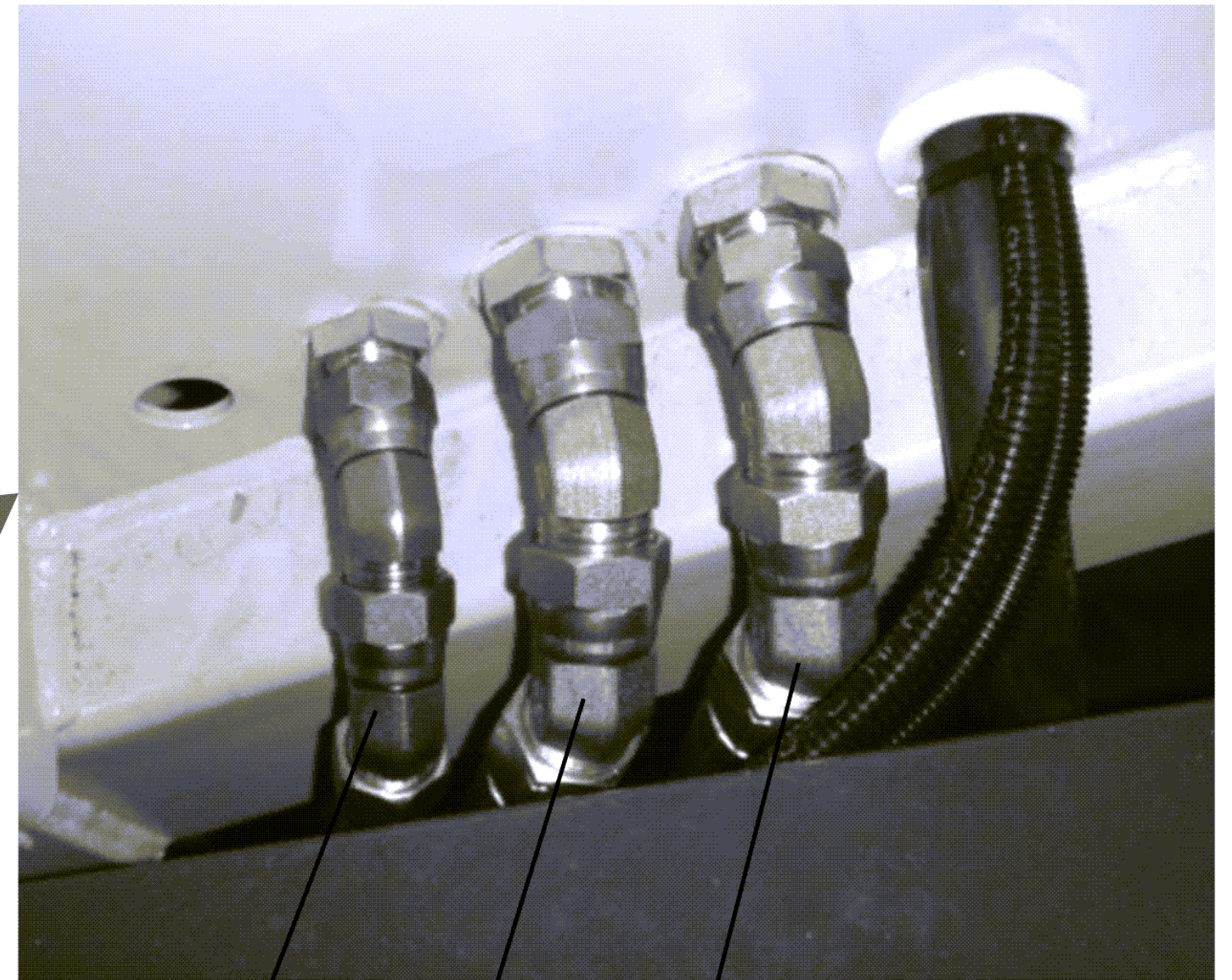
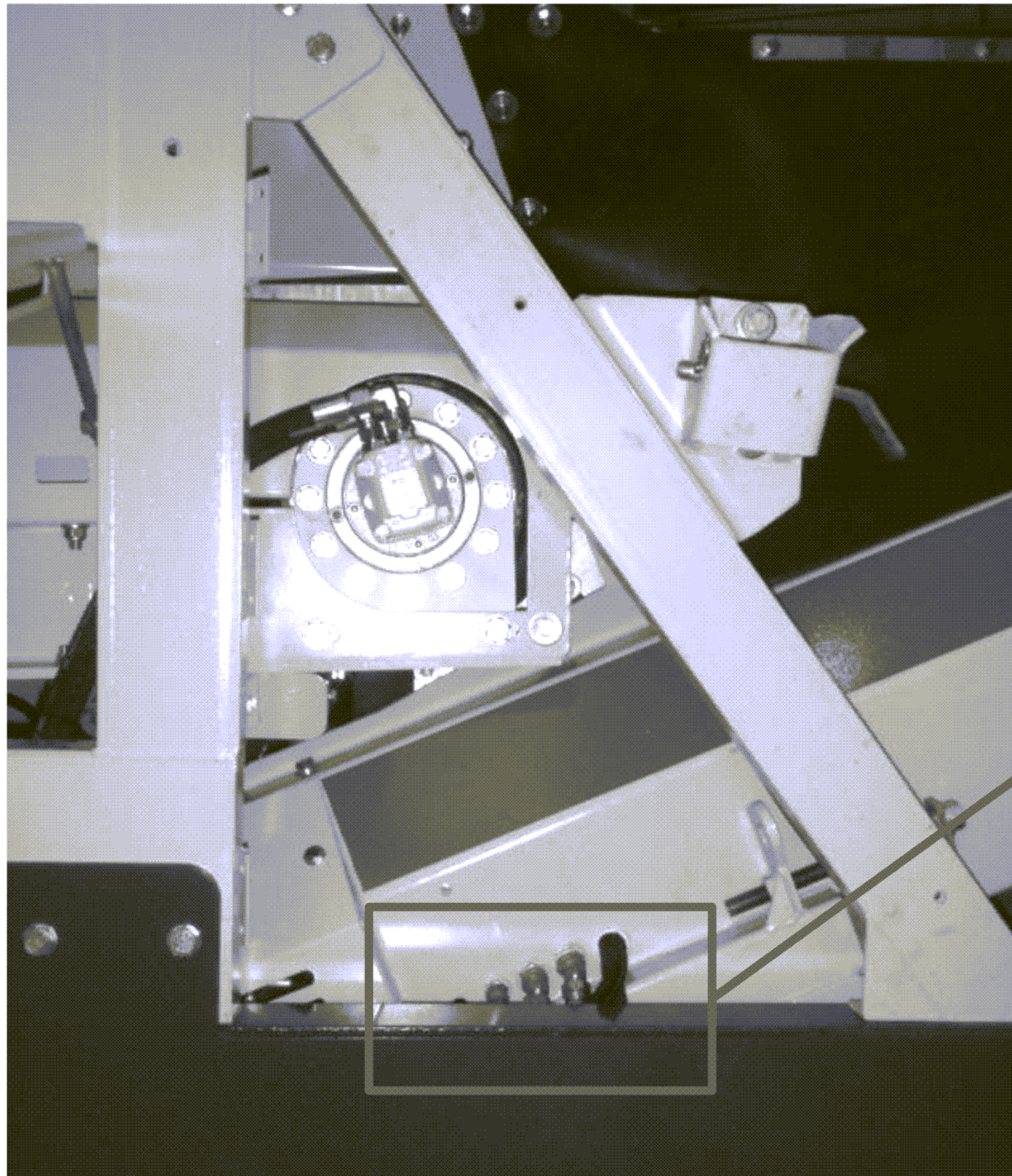
Pos.	Part No.	Description	Qty	Net Wght
1	MM0315949	HYDRAULIC HOSE	1	5.9
2	MM0226161	HYDRAULIC HOSE	1	3.59
3	N44460894	HYDRAULIC HOSE	1	2.83
4	N44460890	HYDRAULIC HOSE	1	2.99
5	N44460599	HYDRAULIC HOSE	1	3.83
6	MM0207246	HYDRAULIC HOSE	1	4.05
7	MM0207245	HYDRAULIC HOSE	1	3.97
8	MM0226396	HYDRAULIC HOSE	1	
9	N44460606	HYDRAULIC HOSE	1	1.18
10	MM0239285	HYDRAULIC HOSE	1	1.2
11	N44460605	HYDRAULIC HOSE	1	1.87
12	MM0220124	HYDRAULIC HOSE	1	2.07
13	MM0212244	HYDRAULIC HOSE	1	4.88
14	MM0212243	HYDRAULIC HOSE	1	4.48
15	MM0220123	HYDRAULIC HOSE	1	3.11
16	706300790070	CONNECTION	6	0.16
17	706300790002	CONNECTION	5	0.26
18	706300790093	CONNECTION	1	0.319
19	706300790590	CONNECTION	4	0.4
20	706300790000	CONNECTION	2	0.2
21	706300790585	CONNECTION	2	0.15
22	706300790550	EQUAL TEE	1	0.18
23	706300793650	CONNECTION	6	0.203
24	706300790105	CONNECTION	1	0.328
25	706300790092	CONNECTION	1	0.2
26	706300793645	CONNECTION	1	0.131



Pos.	Part No.	Description	Qty	Net Wght
1	MM0315949	HYDRAULIC HOSE	1	5.9
2	MM0226161	HYDRAULIC HOSE	1	3.59
3	N44460894	HYDRAULIC HOSE	1	2.83
4	N44460890	HYDRAULIC HOSE	1	2.99
5	N44460599	HYDRAULIC HOSE	1	3.83
6	MM0207246	HYDRAULIC HOSE	1	4.05
7	MM0207245	HYDRAULIC HOSE	1	3.97
8	MM0226396	HYDRAULIC HOSE	1	
9	N44460606	HYDRAULIC HOSE	1	1.18
10	MM0239285	HYDRAULIC HOSE	1	1.2
11	N44460605	HYDRAULIC HOSE	1	1.87
12	MM0220124	HYDRAULIC HOSE	1	2.07
13	MM0212244	HYDRAULIC HOSE	1	4.88
14	MM0212243	HYDRAULIC HOSE	1	4.48
15	MM0220123	HYDRAULIC HOSE	1	3.11
16	706300790070	CONNECTION	6	0.16
17	706300790002	CONNECTION	5	0.26
18	706300790093	CONNECTION	1	0.319
19	706300790590	CONNECTION	4	0.4
20	706300790000	CONNECTION	2	0.2
21	706300790585	CONNECTION	2	0.15
22	706300790550	EQUAL TEE	1	0.18
23	706300793650	CONNECTION	6	0.203
24	706300790105	CONNECTION	1	0.328
25	706300790092	CONNECTION	1	0.2
26	706300793645	CONNECTION	1	0.131



Pos.	Part No.	Description	Qty	Net Wght
1	MM0315949	HYDRAULIC HOSE	1	5.9
2	MM0226161	HYDRAULIC HOSE	1	3.59
3	N44460894	HYDRAULIC HOSE	1	2.83
4	N44460890	HYDRAULIC HOSE	1	2.99
5	N44460599	HYDRAULIC HOSE	1	3.83
6	MM0207246	HYDRAULIC HOSE	1	4.05
7	MM0207245	HYDRAULIC HOSE	1	3.97
8	MM0226396	HYDRAULIC HOSE	1	
9	N44460606	HYDRAULIC HOSE	1	1.18
10	MM0239285	HYDRAULIC HOSE	1	1.2
11	N44460605	HYDRAULIC HOSE	1	1.87
12	MM0220124	HYDRAULIC HOSE	1	2.07
13	MM0212244	HYDRAULIC HOSE	1	4.88
14	MM0212243	HYDRAULIC HOSE	1	4.48
15	MM0220123	HYDRAULIC HOSE	1	3.11
16	706300790070	CONNECTION	6	0.16
17	706300790002	CONNECTION	5	0.26
18	706300790093	CONNECTION	1	0.319
19	706300790590	CONNECTION	4	0.4
20	706300790000	CONNECTION	2	0.2
21	706300790585	CONNECTION	2	0.15
22	706300790550	EQUAL TEE	1	0.18
23	706300793650	CONNECTION	6	0.203
24	706300790105	CONNECTION	1	0.328
25	706300790092	CONNECTION	1	0.2
26	706300793645	CONNECTION	1	0.131



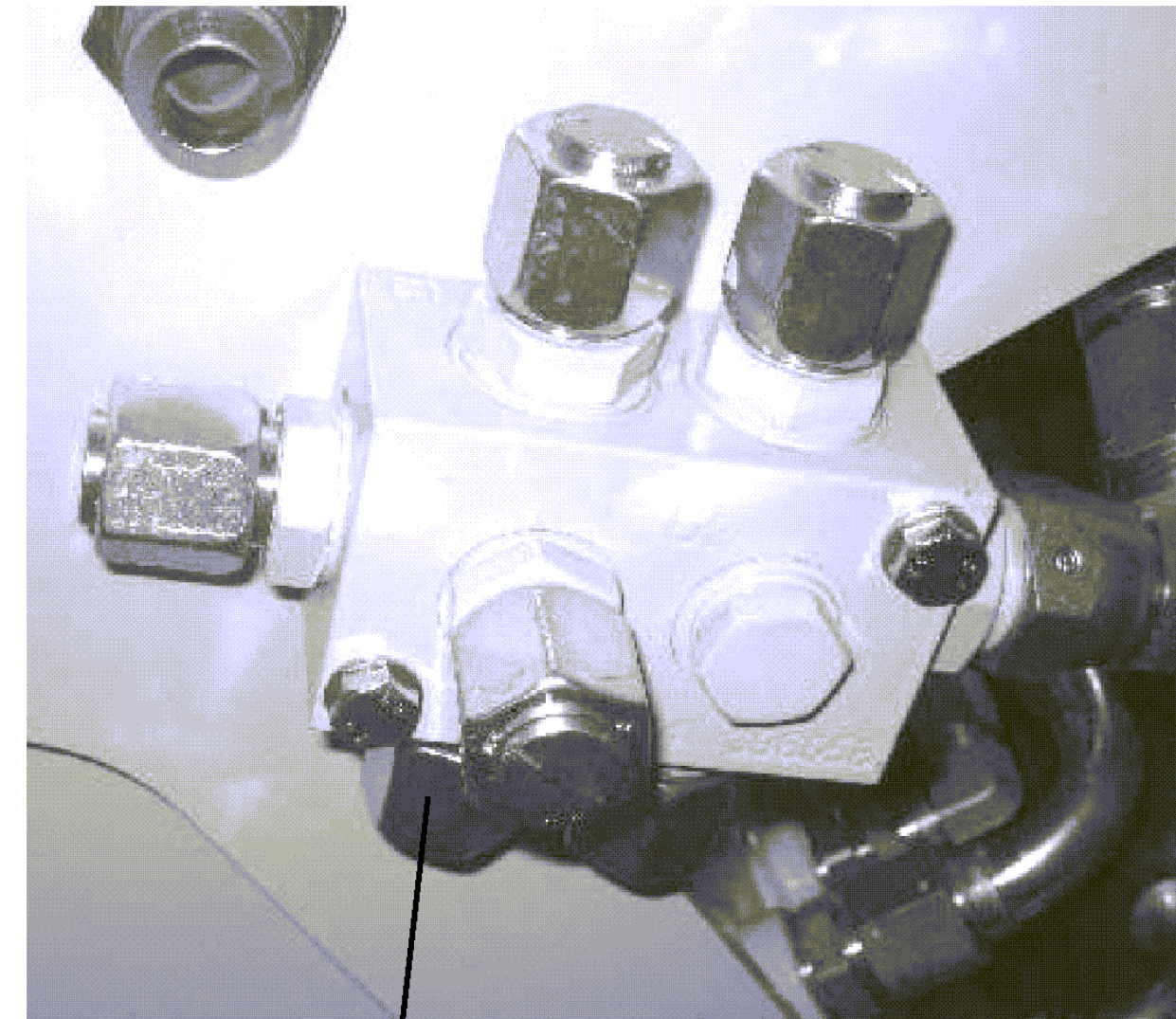
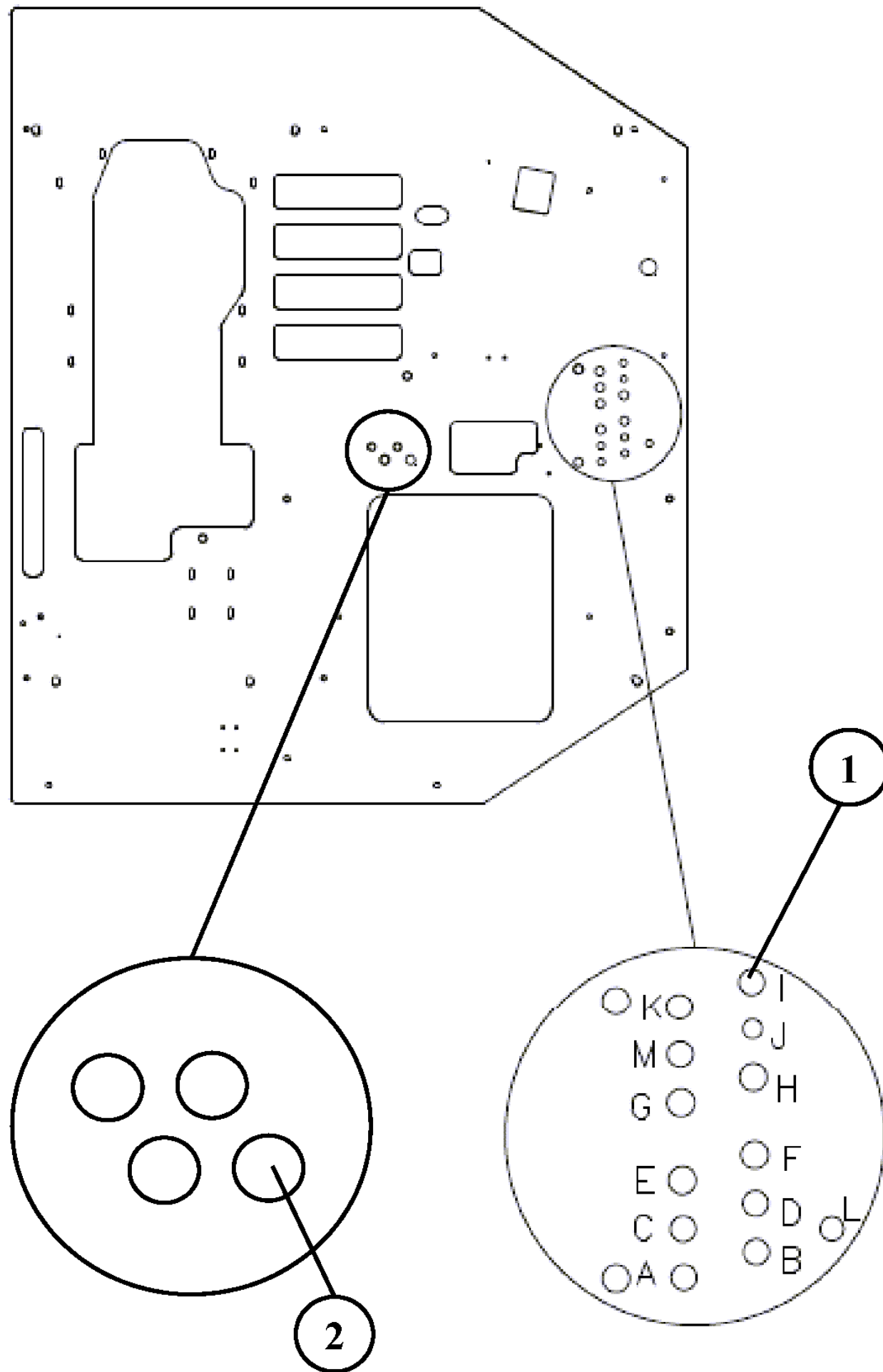
15
26

13
23

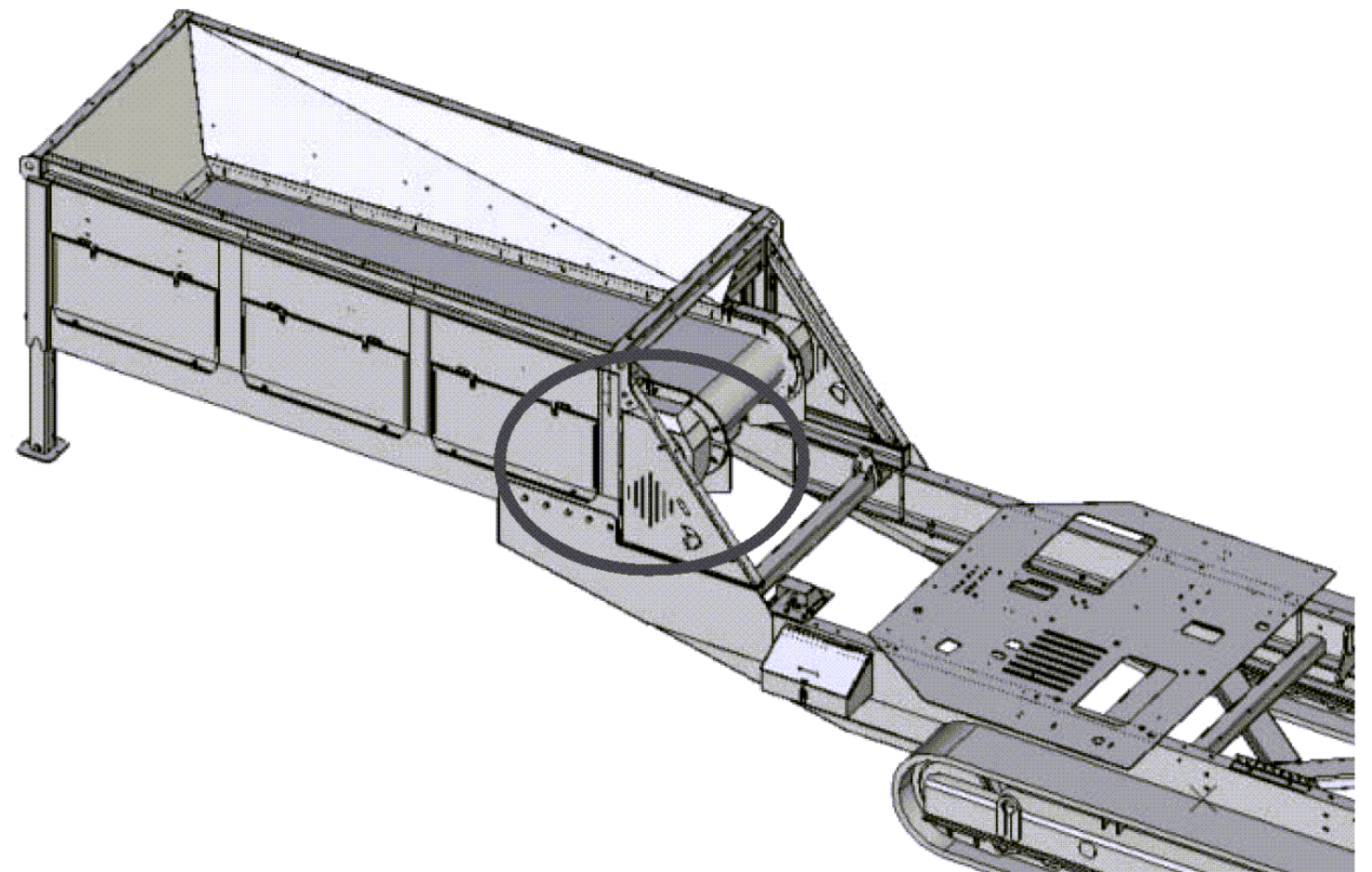
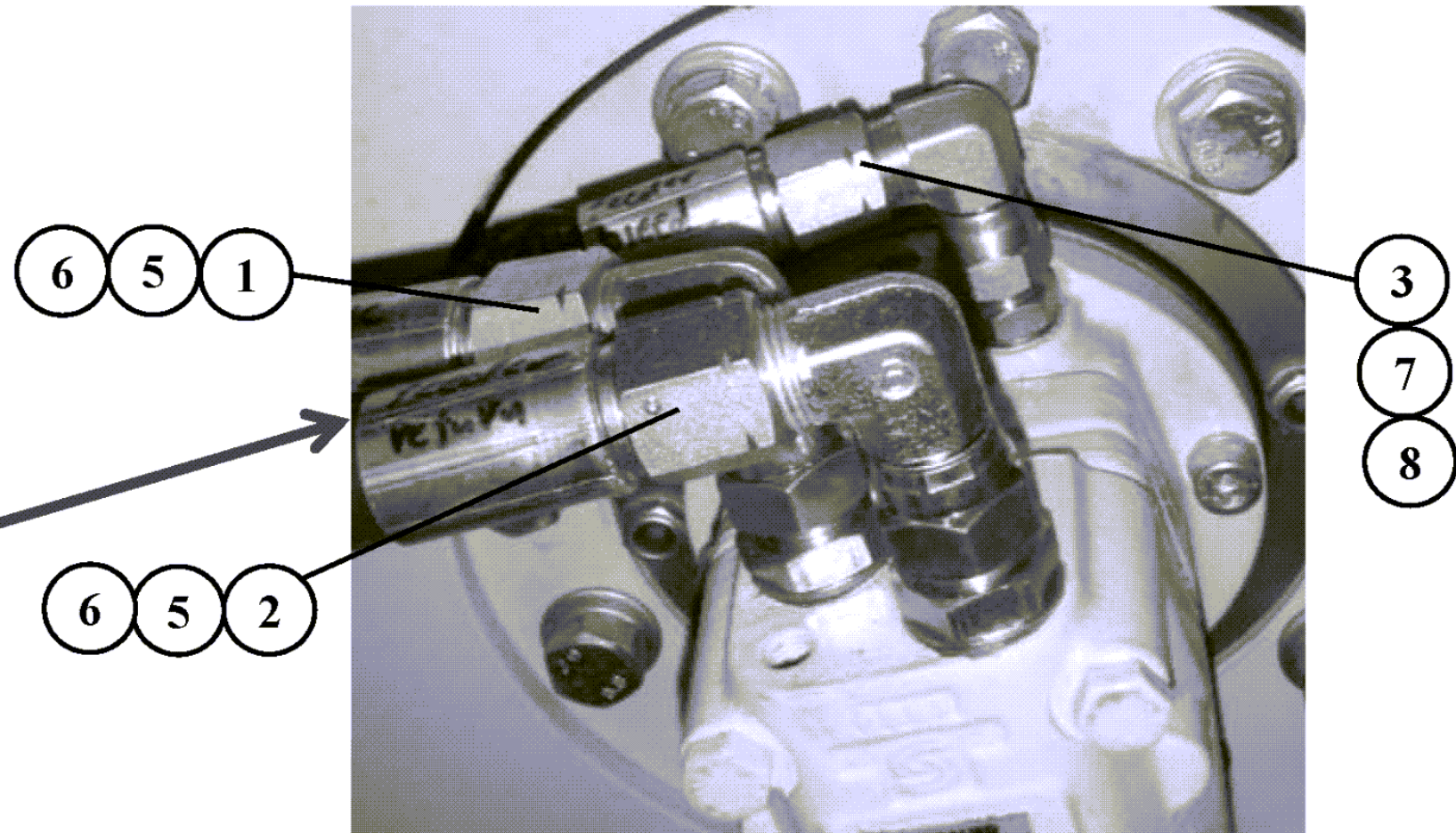
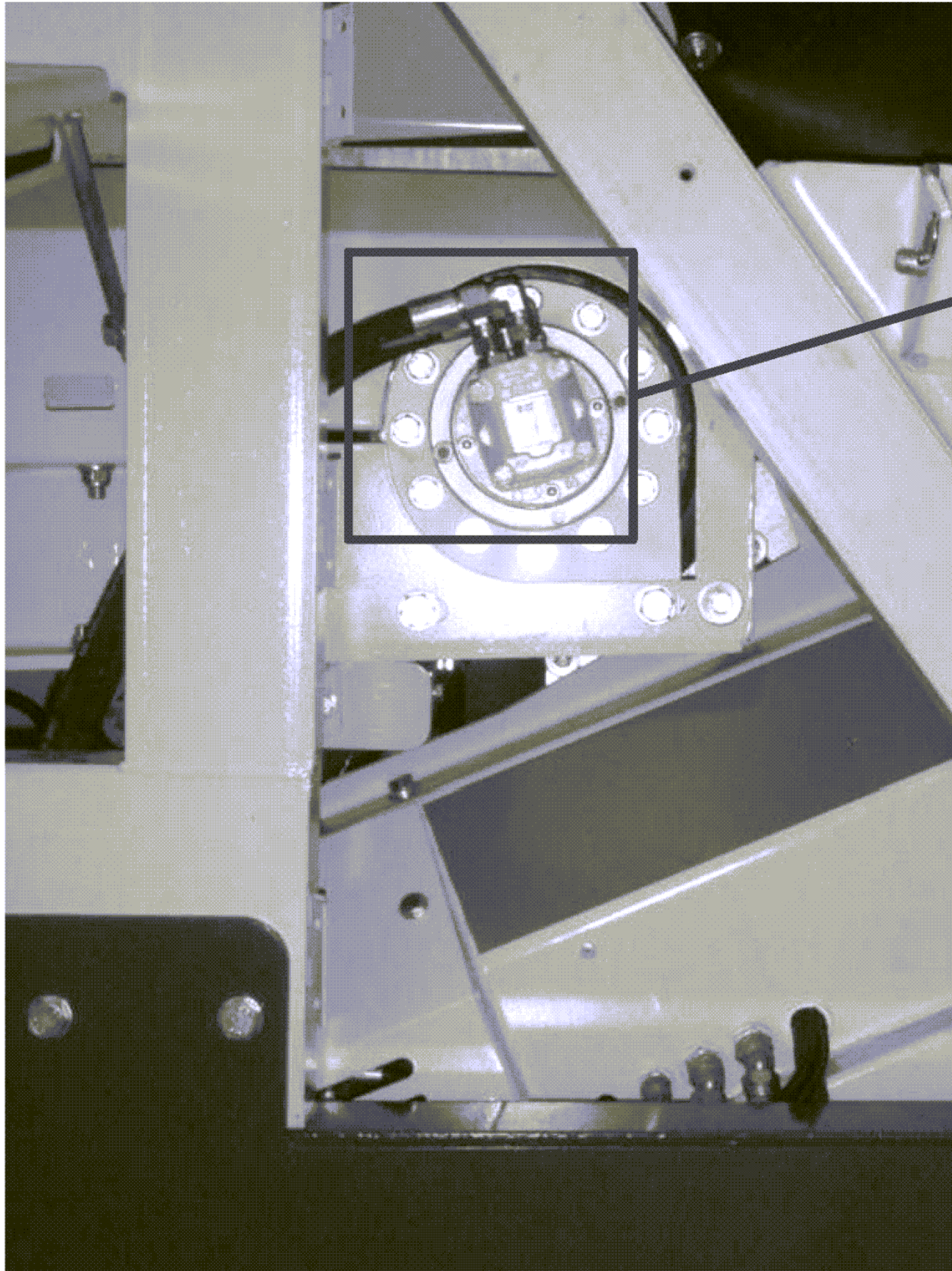
14
23

Pos.	Part No.	Description	Qty	Net Wght
1	MM0315949	HYDRAULIC HOSE	1	5.9
2	MM0226161	HYDRAULIC HOSE	1	3.59
3	N44460894	HYDRAULIC HOSE	1	2.83
4	N44460890	HYDRAULIC HOSE	1	2.99
5	N44460599	HYDRAULIC HOSE	1	3.83
6	MM0207246	HYDRAULIC HOSE	1	4.05
7	MM0207245	HYDRAULIC HOSE	1	3.97
8	MM0226396	HYDRAULIC HOSE	1	
9	N44460606	HYDRAULIC HOSE	1	1.18
10	MM0239285	HYDRAULIC HOSE	1	1.2
11	N44460605	HYDRAULIC HOSE	1	1.87
12	MM0220124	HYDRAULIC HOSE	1	2.07
13	MM0212244	HYDRAULIC HOSE	1	4.88
14	MM0212243	HYDRAULIC HOSE	1	4.48
15	MM0220123	HYDRAULIC HOSE	1	3.11
16	706300790070	CONNECTION	6	0.16
17	706300790002	CONNECTION	5	0.26
18	706300790093	CONNECTION	1	0.319
19	706300790590	CONNECTION	4	0.4
20	706300790000	CONNECTION	2	0.2
21	706300790585	CONNECTION	2	0.15
22	706300790550	EQUAL TEE	1	0.18
23	706300793650	CONNECTION	6	0.203
24	706300790105	CONNECTION	1	0.328
25	706300790092	CONNECTION	1	0.2
26	706300793645	CONNECTION	1	0.131

Engine module frame plate from above

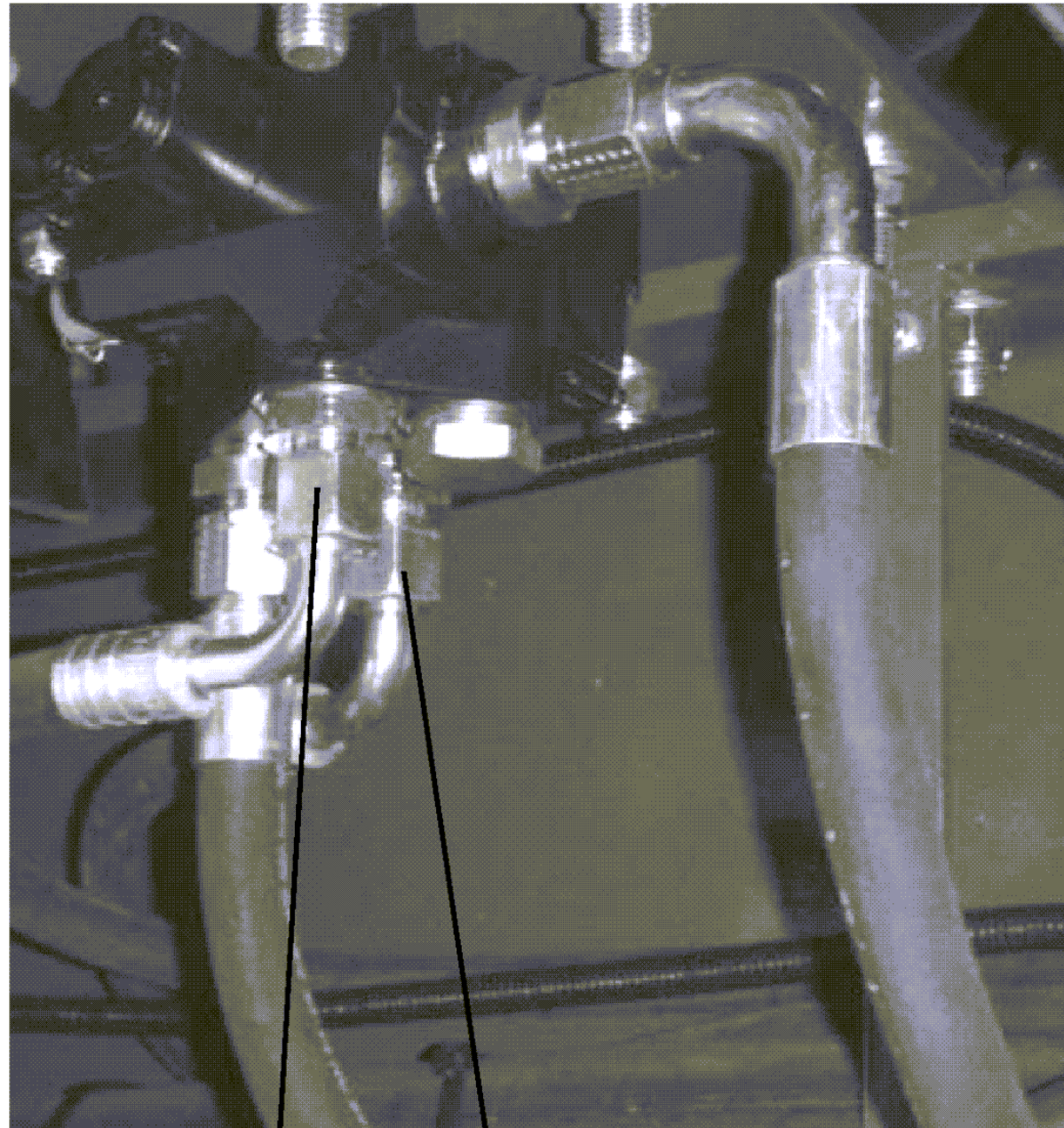


Pos.	Part No.	Description	Qty	Net Wght
1	MM0211871	HYDRAULIC HOSE	1	4.57
2	MM0211870	HYDRAULIC HOSE	1	4.16
3	MM0211872	HYDRAULIC HOSE	1	0.6
4	MM0317245	HYDRAULIC FITTING	2	0.160
5	706300790065	CONNECTION	2	0.103
6	706300790000	CONNECTION	2	0.2
7	706300790059	CONNECTION	1	0.04
8	706300789000	CONNECTION	1	0.1



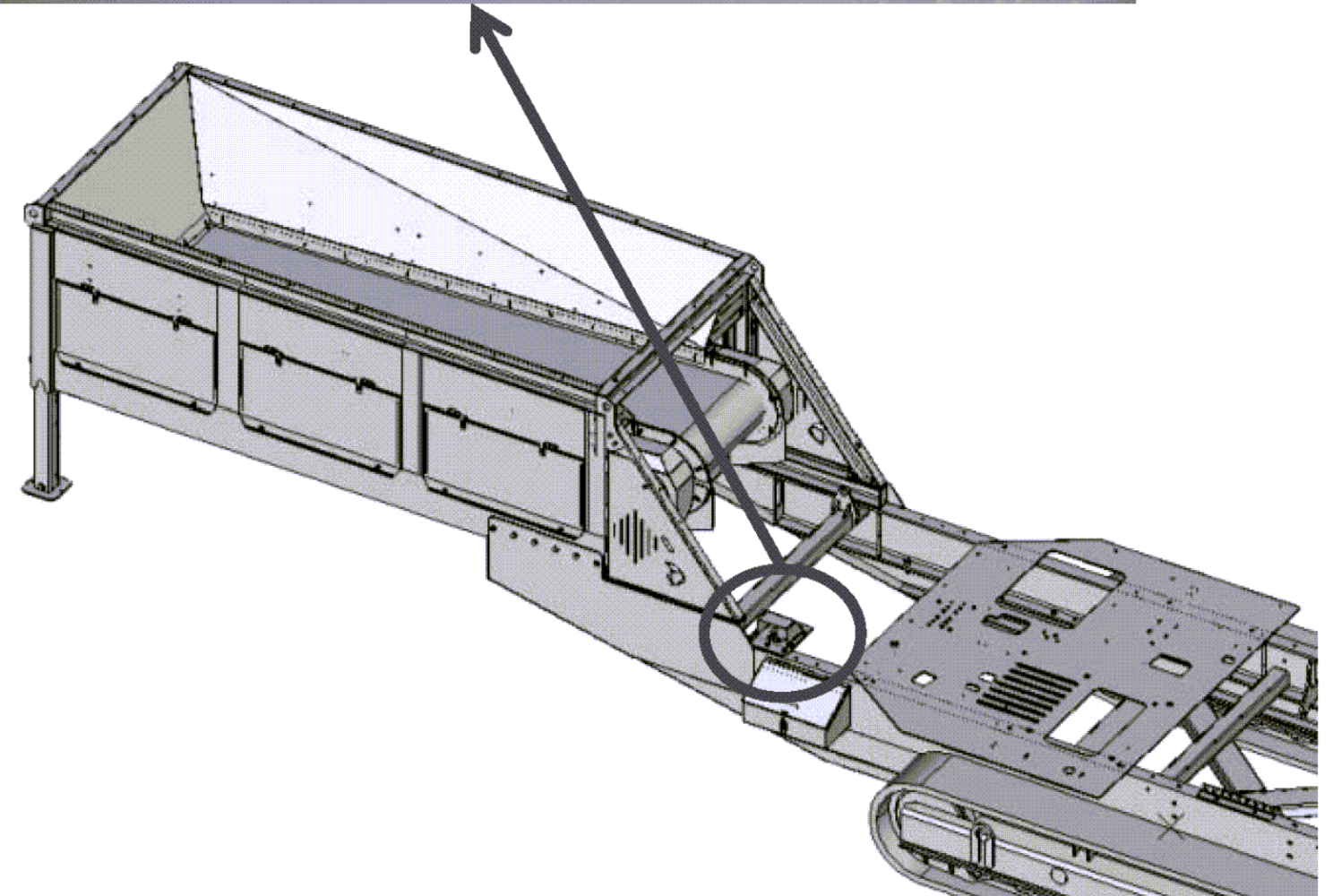
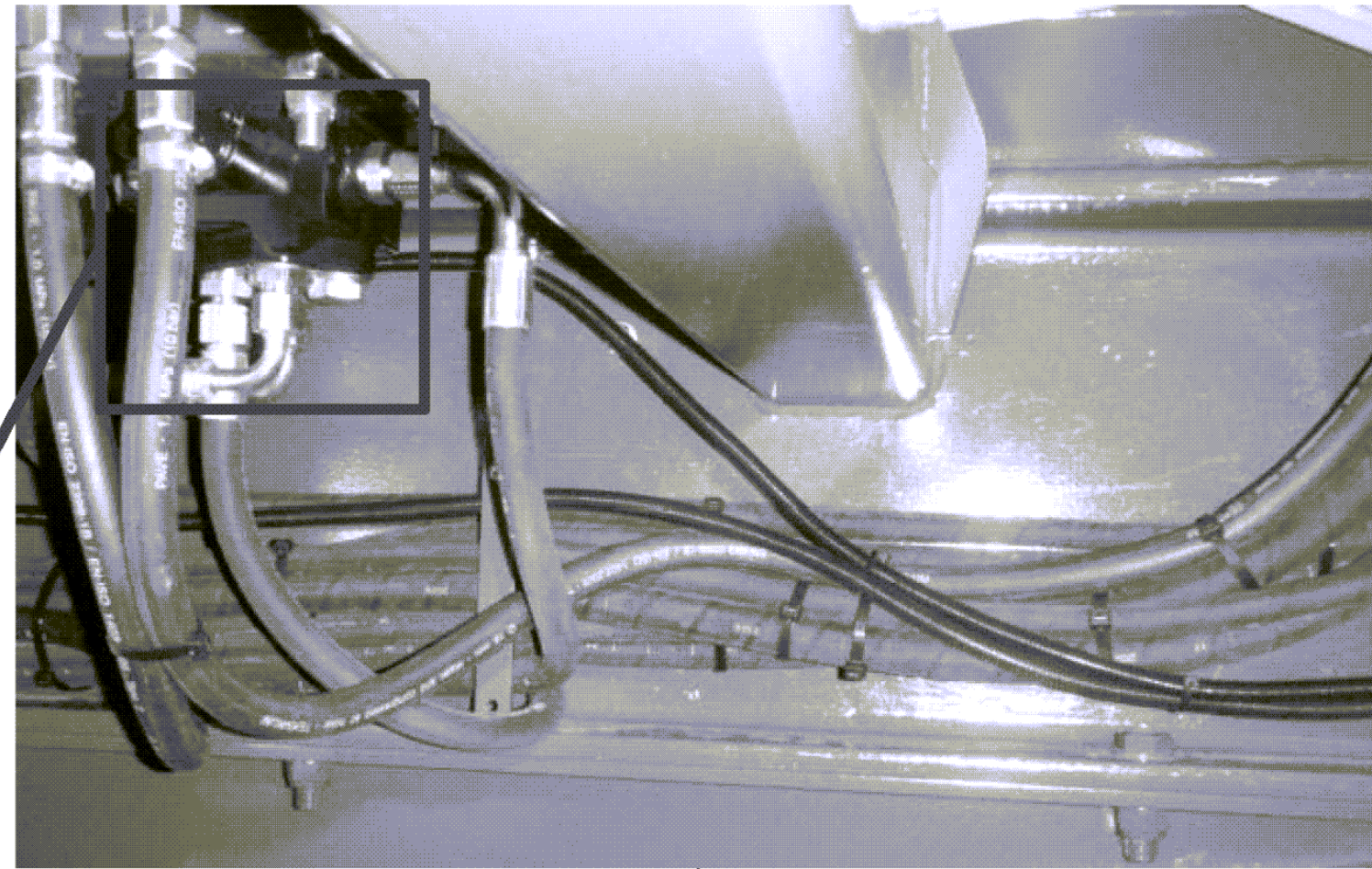
Pos.	Part No.	Description	Qty	Net Wght
1	MM0211871	HYDRAULIC HOSE	1	4.57
2	MM0211870	HYDRAULIC HOSE	1	4.16
3	MM0211872	HYDRAULIC HOSE	1	0.6
4	MM0317245	HYDRAULIC FITTING	2	0.160
5	706300790065	CONNECTION	2	0.103
6	706300790000	CONNECTION	2	0.2
7	706300790059	CONNECTION	1	0.04
8	706300789000	CONNECTION	1	0.1

Hoses for feed hopper support legs

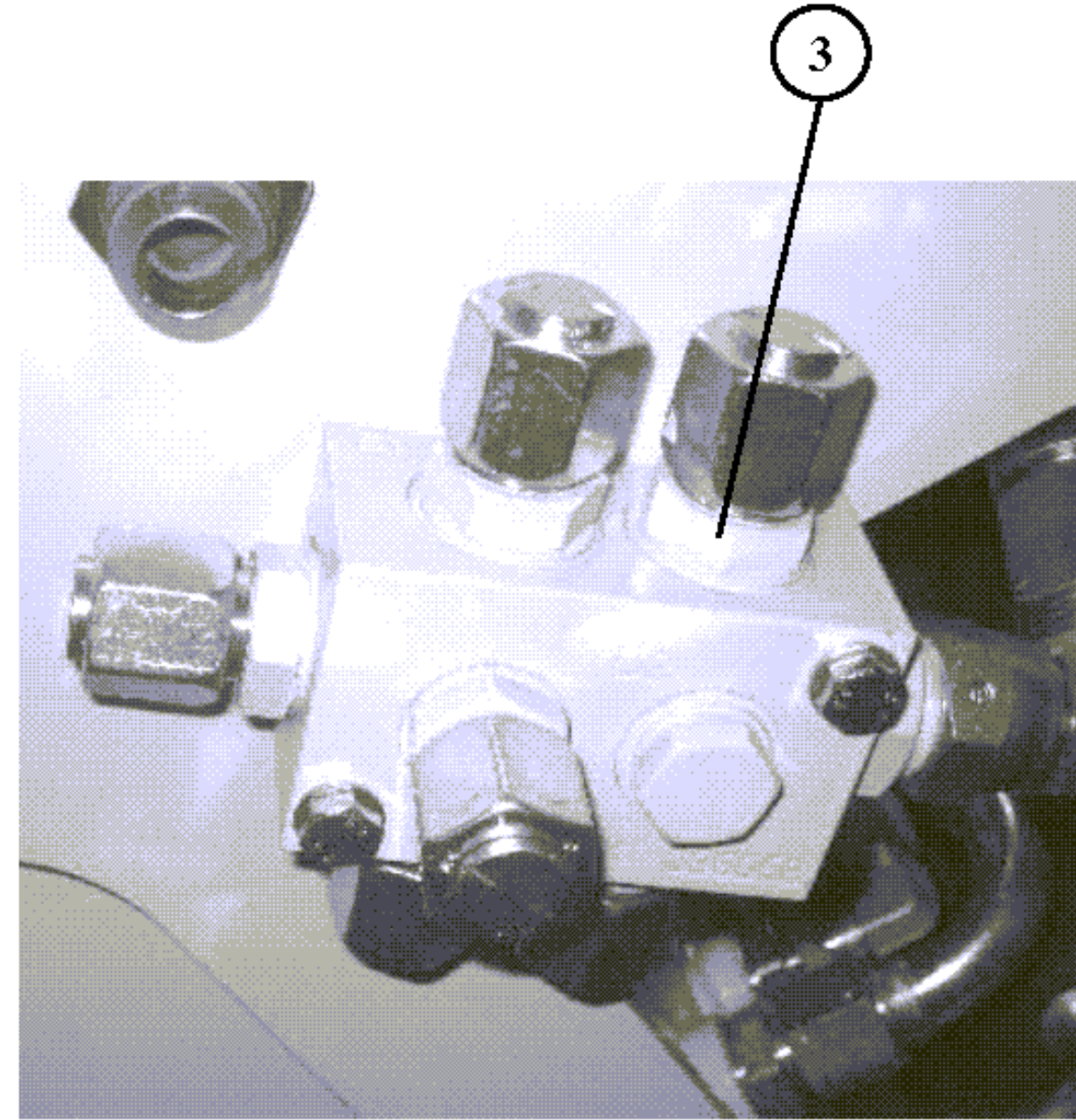
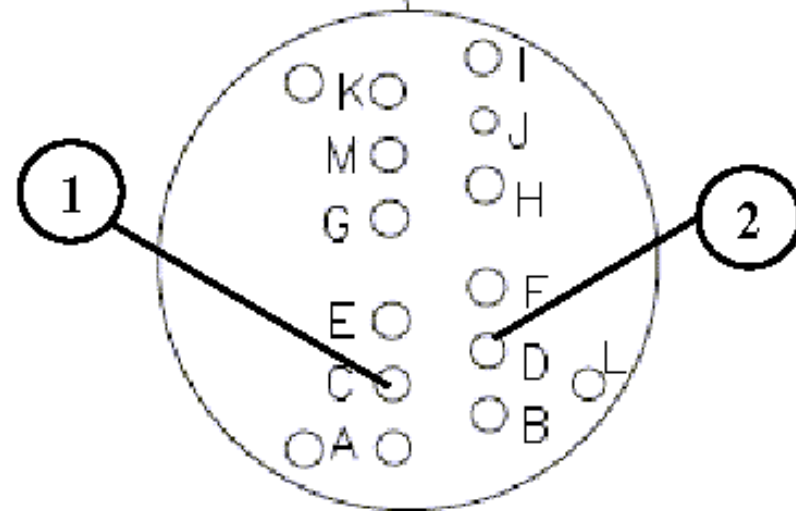
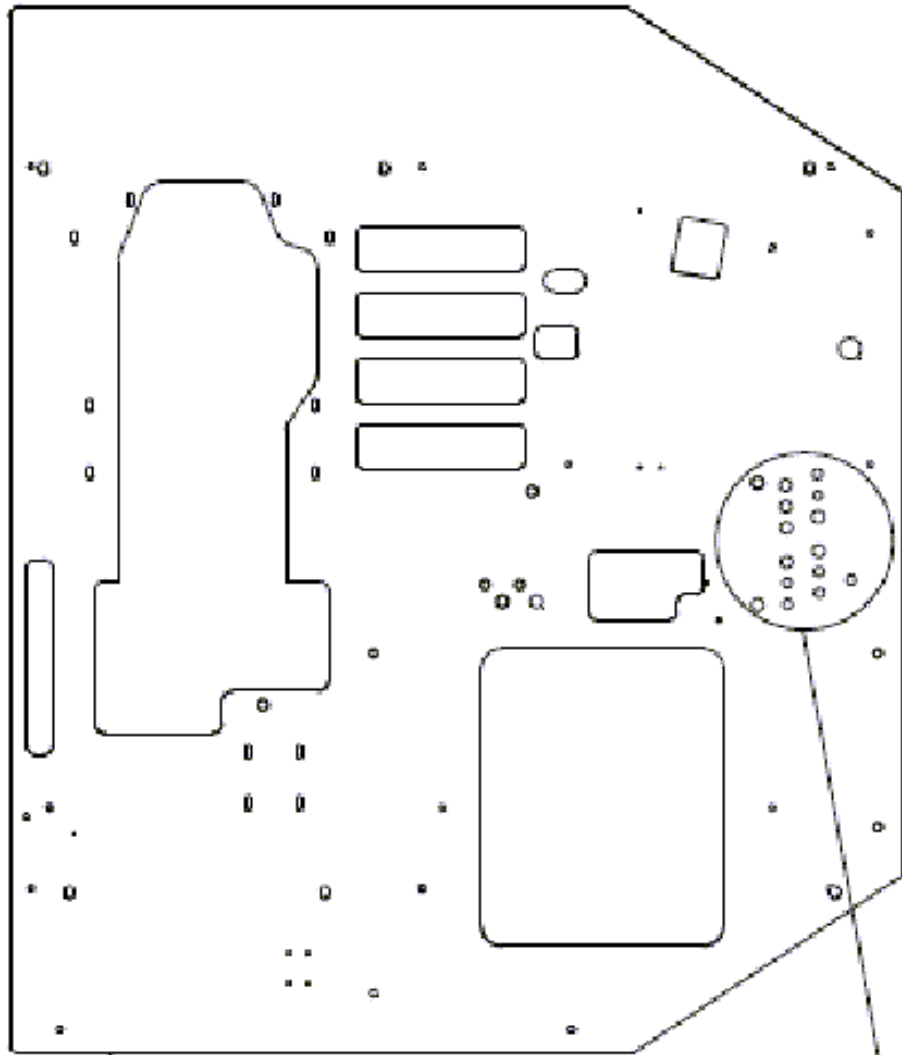


4
A

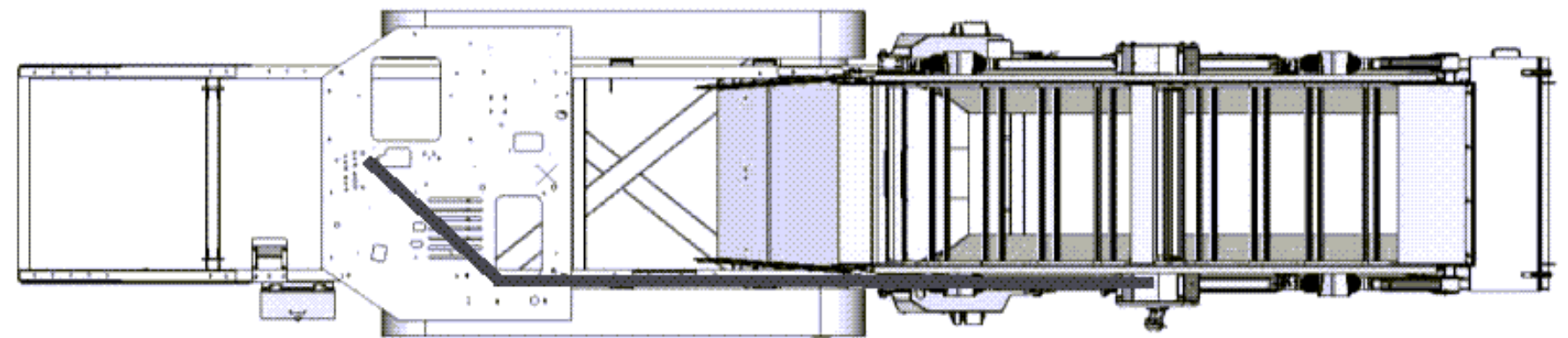
4
B



Pos.	Part No.	Description	Qty	Net Wght
1	MM0211871	HYDRAULIC HOSE	1	4.57
2	MM0211870	HYDRAULIC HOSE	1	4.16
3	MM0211872	HYDRAULIC HOSE	1	0.6
4	MM0317245	HYDRAULIC FITTING	2	0.160
5	706300790065	CONNECTION	2	0.103
6	706300790000	CONNECTION	2	0.2
7	706300790059	CONNECTION	1	0.04
8	706300789000	CONNECTION	1	0.1

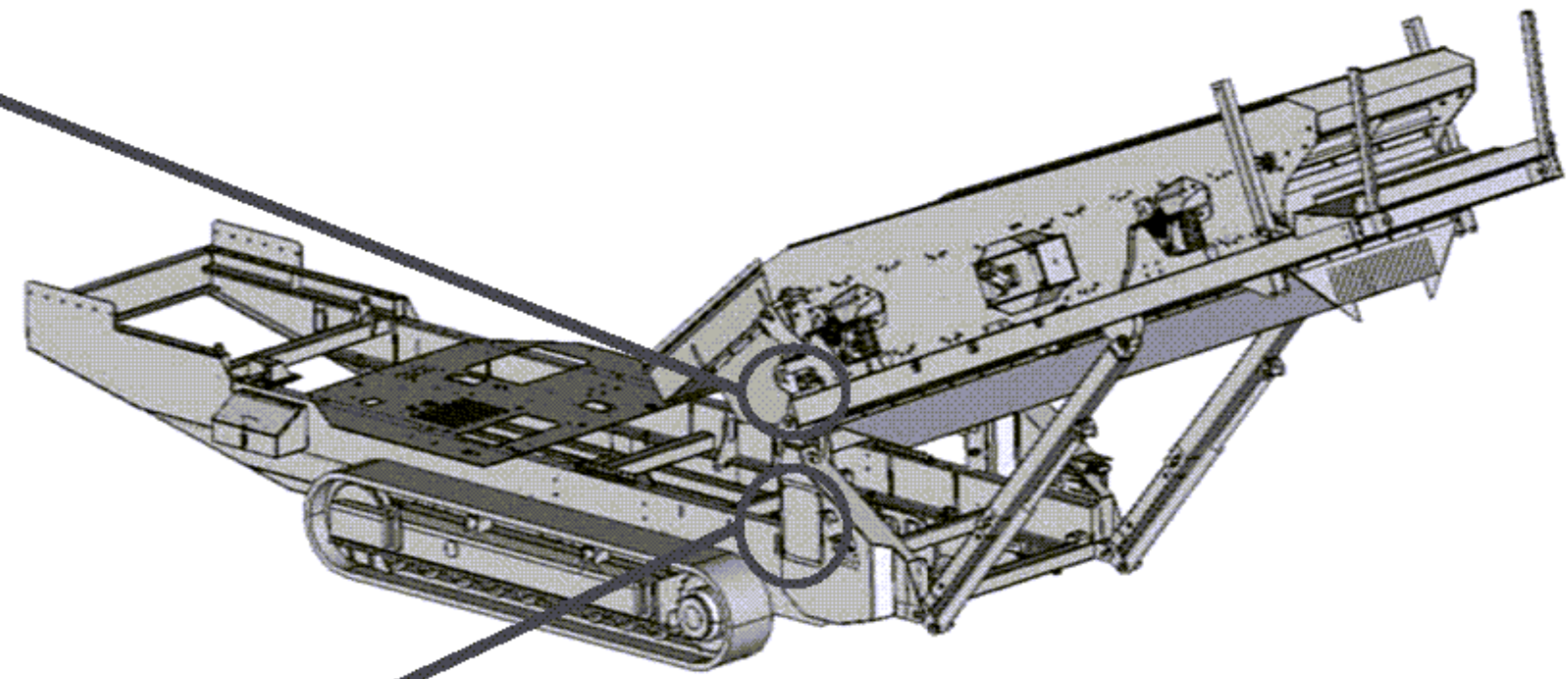


Hose routes on frame

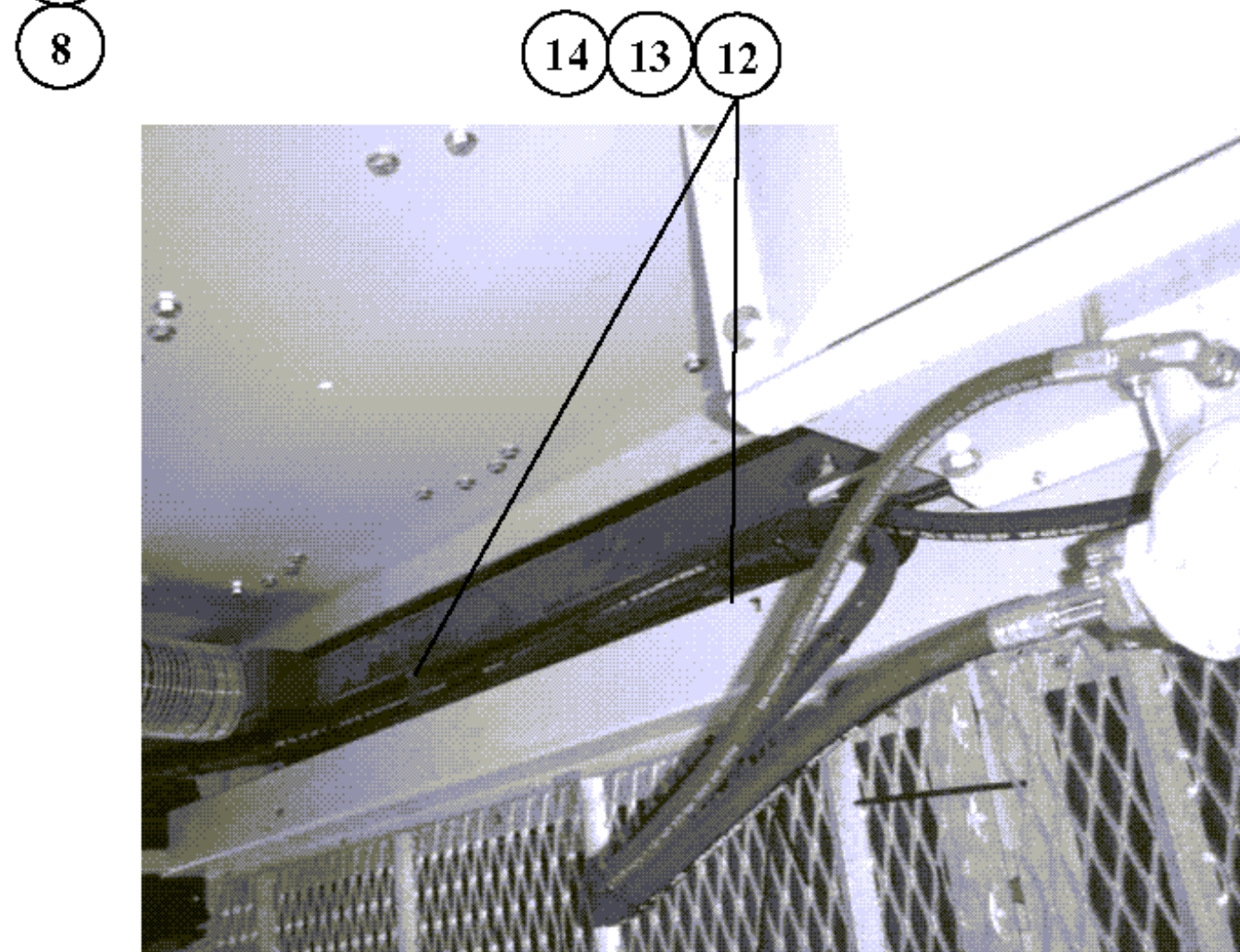
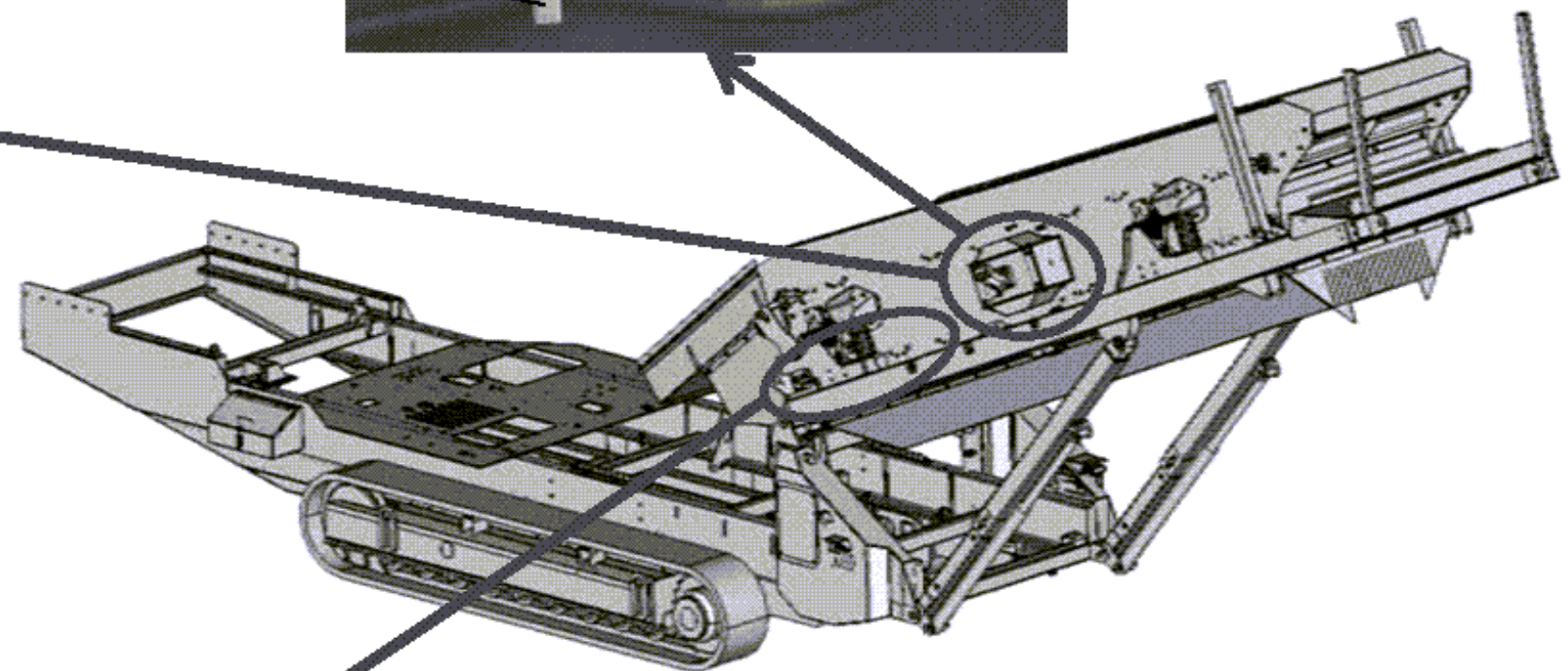
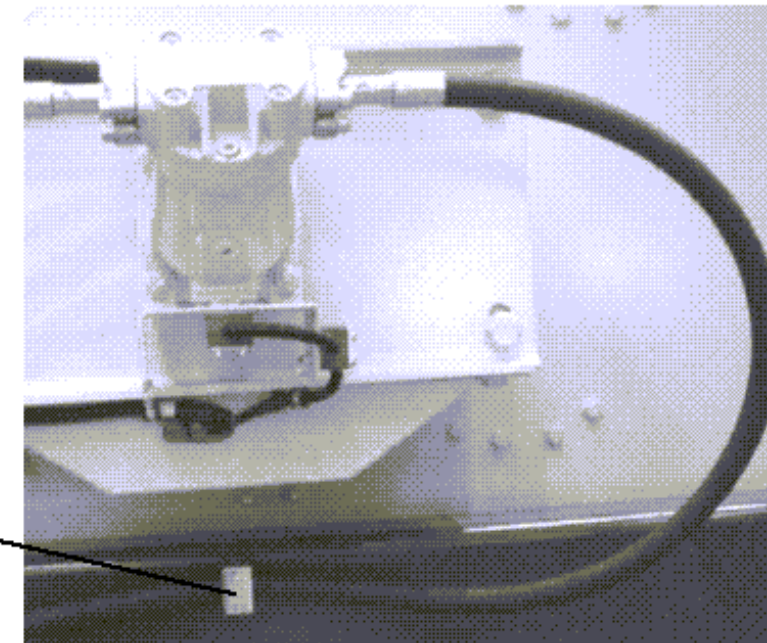
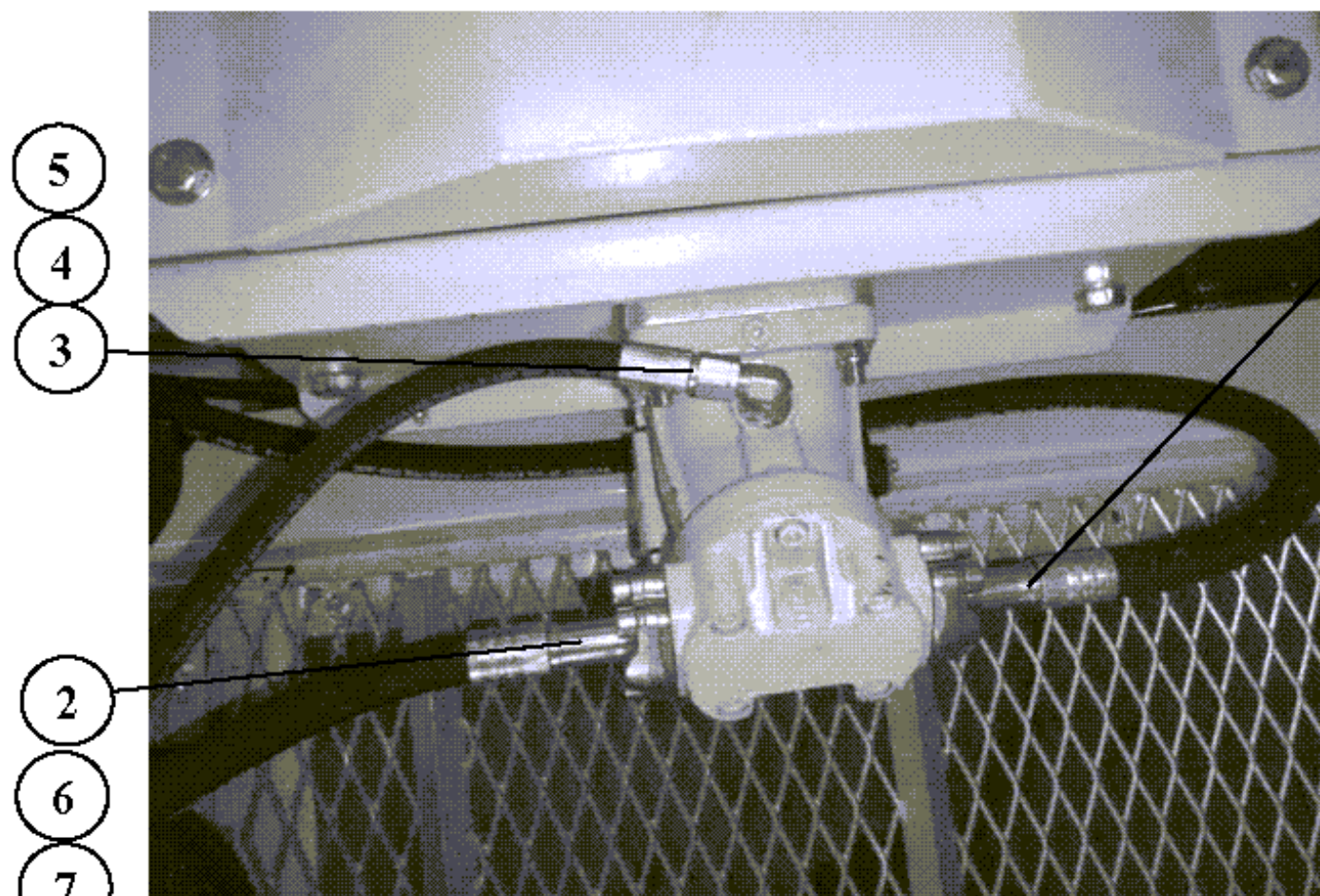


Pos.	Part No.	Description	Qty	Net Wght
1	MM0317932	HYDRAULIC HOSE	1	13.5
2	MM0317934	HYDRAULIC HOSE	1	12
3	MM0204650	HYDRAULIC HOSE	1	5.58
4	N02405502	CONNECTION	1	0.072
5	706300789000	CONNECTION	1	0.1
6	704518090000	SPLIT FLANGE	2	0.4
7	704103510000	CAP SCREW, HXGNL SOCKET HEAD	8	0.03
8	704518200100	O-RING	2	0.01
9	706302545950	FASTENER PAIR	1	0.02
10	706302547564	COVERING PLATE	1	0.02
11	704103391000	CAP SCREW, HXGNL SOCKET HEAD	2	0.01
12	N02118905	FASTENER PAIR	4	.2
13	N02118994	COVERING PLATE	4	0.1
14	7001530114	SCREW, HEXAGONAL	4	0.0221

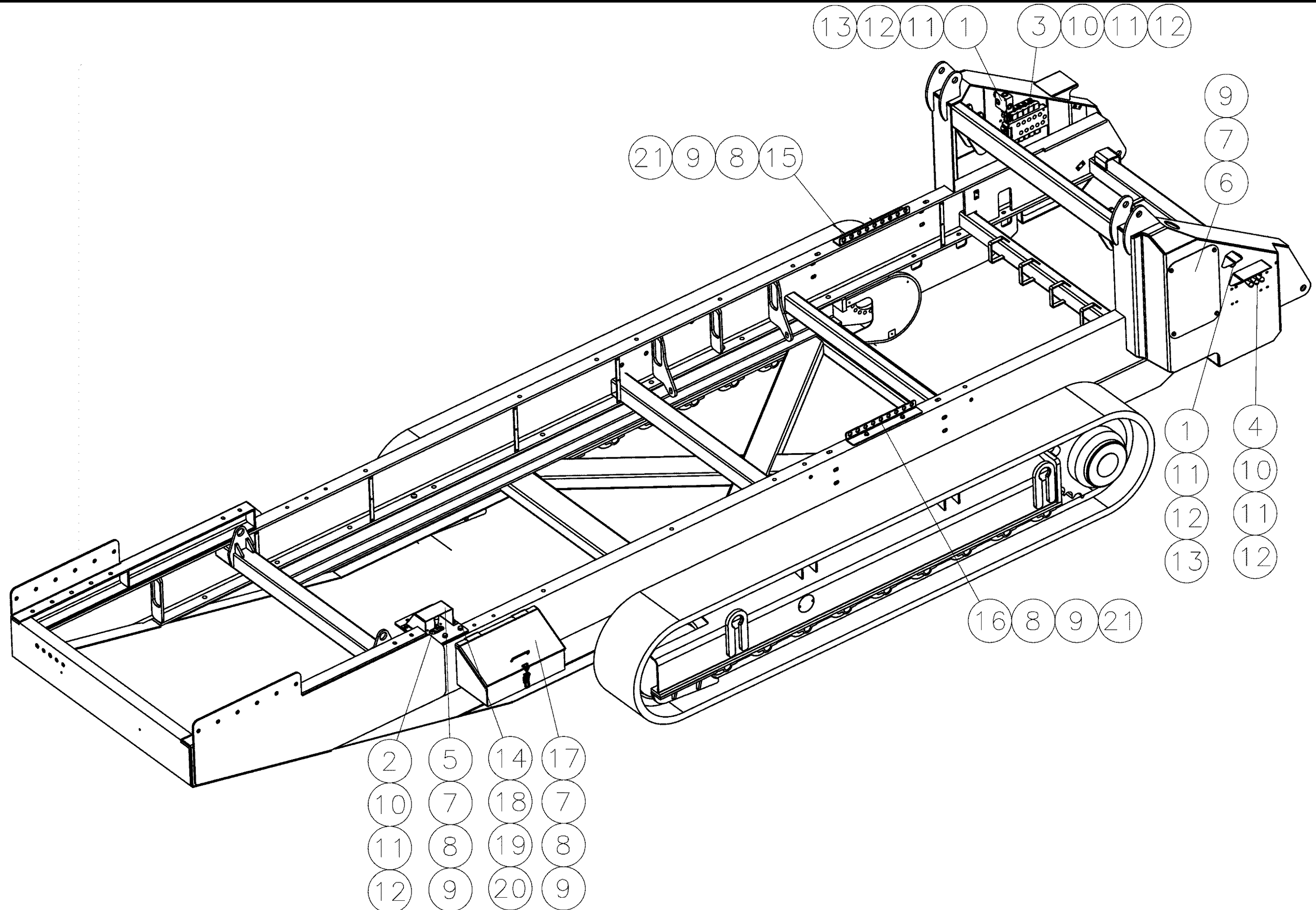
- 1
- 2
- 3
- 12
- 13
- 14



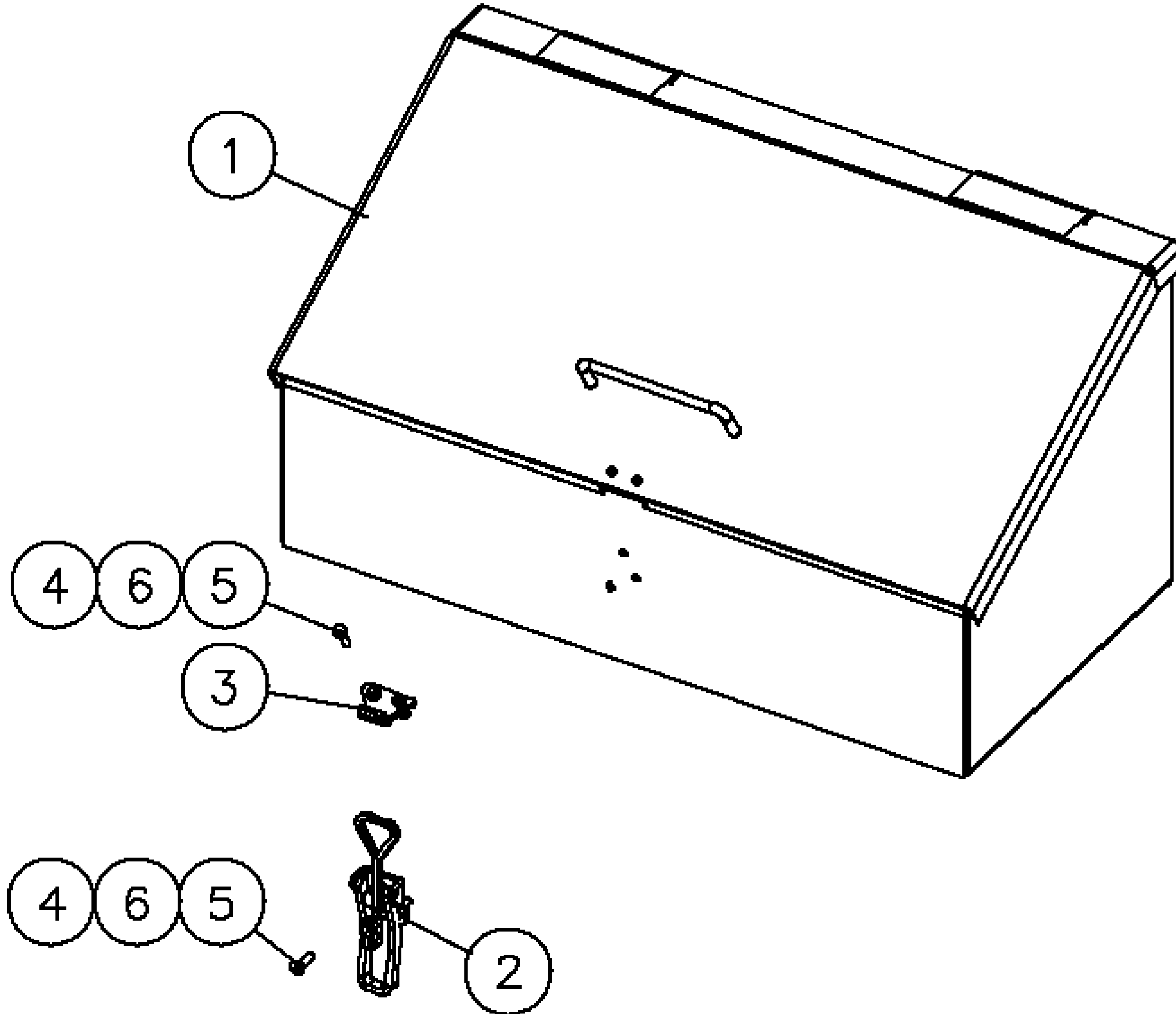
Pos.	Part No.	Description	Qty	Net Wght
1	MM0317932	HYDRAULIC HOSE	1	13.5
2	MM0317934	HYDRAULIC HOSE	1	12
3	MM0204650	HYDRAULIC HOSE	1	5.58
4	N02405502	CONNECTION	1	0.072
5	706300789000	CONNECTION	1	0.1
6	704518090000	SPLIT FLANGE	2	0.4
7	704103510000	CAP SCREW, HXGNL SOCKET HEAD	8	0.03
8	704518200100	O-RING	2	0.01
9	706302545950	FASTENER PAIR	1	0.02
10	706302547564	COVERING PLATE	1	0.02
11	704103391000	CAP SCREW, HXGNL SOCKET HEAD	2	0.01
12	N02118905	FASTENER PAIR	4	.2
13	N02118994	COVERING PLATE	4	0.1
14	7001530114	SCREW, HEXAGONAL	4	0.0221



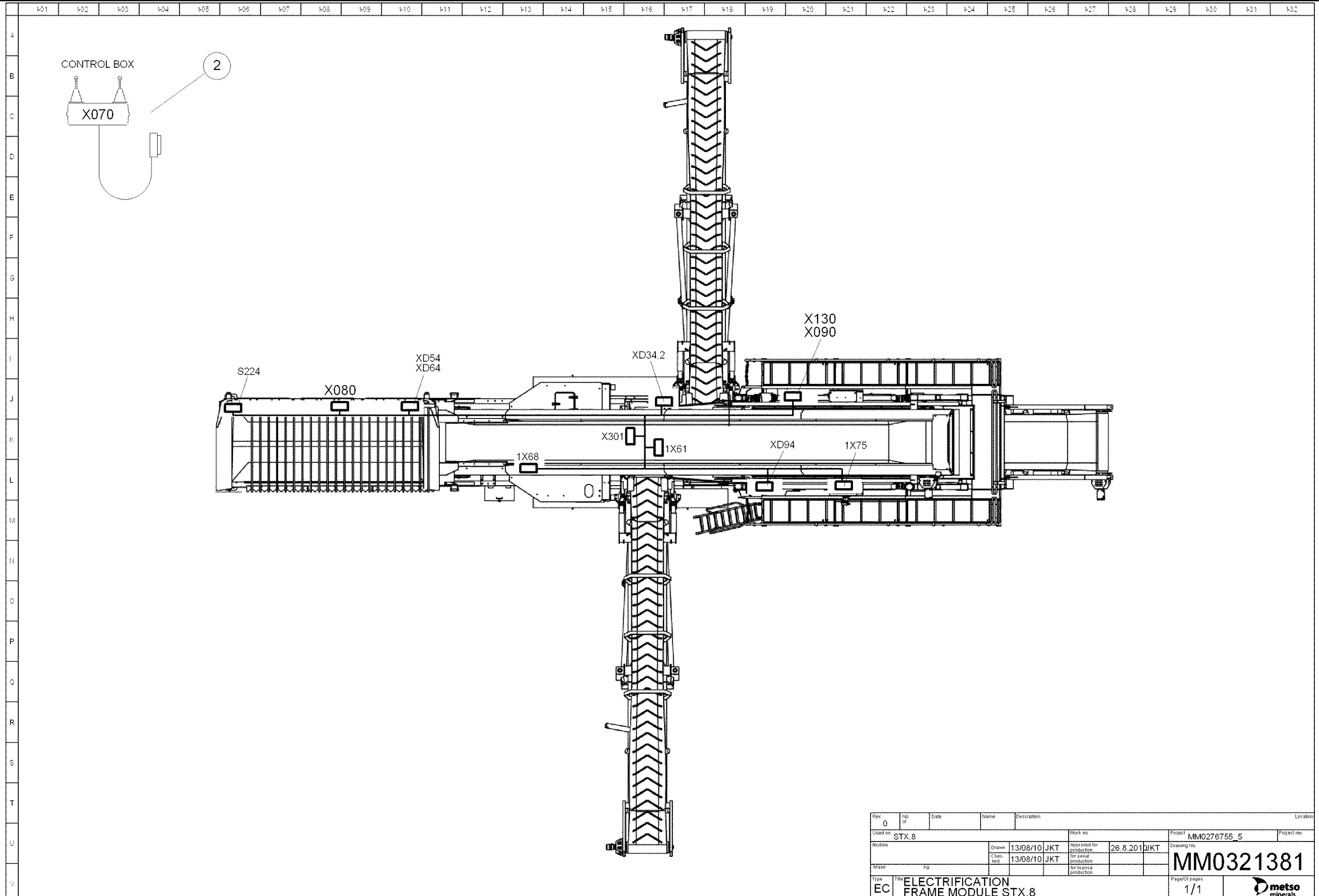
Pos.	Part No.	Description	Qty	Net Wght
1	MM0317932	HYDRAULIC HOSE	1	13.5
2	MM0317934	HYDRAULIC HOSE	1	12
3	MM0204650	HYDRAULIC HOSE	1	5.58
4	N02405502	CONNECTION	1	0.072
5	706300789000	CONNECTION	1	0.1
6	704518090000	SPLIT FLANGE	2	0.4
7	704103510000	CAP SCREW, HXGNL SOCKET HEAD	8	0.03
8	704518200100	O-RING	2	0.01
9	706302545950	FASTENER PAIR	1	0.02
10	706302547564	COVERING PLATE	1	0.02
11	704103391000	CAP SCREW, HXGNL SOCKET HEAD	2	0.01
12	N02118905	FASTENER PAIR	4	.2
13	N02118994	COVERING PLATE	4	0.1
14	7001530114	SCREW, HEXAGONAL	4	0.0221



Pos.	Part No.	Description	Qty	Net Wght	Page
1	MM0317231	FLOW CONTROL VALVE	2	4.5	
2	MM0279043	DIRECTIONAL VALVE	1	7.5	
3	MM0279048	DIRECTIONAL VALVE	1	19.5	
4	MM0283416	DIRECTIONAL VALVE	1	19.5	
5	M08890	COVER PLATE	1	2.37	
6	M10751	COVER PLATE	2	6.4	
7	N01530197	BOLT, HEXAGONAL	16	0.05	
8	704203927120	NUT, SELF-LOCKING	8	0.01	
9	704006970000	PLAIN WASHER	20	0.01	
10	7001530117	BOLT, HEXAGONAL	9	0.027	
11	704203927080	NUT, SELF-LOCKING	13	0.0056	
12	704006880000	PLAIN WASHER	17	0.00214	
13	N01530119	BOLT, HEXAGONAL	4	0.03	
14	M08757	PLATE	1	7.8	
15	M09860	PLATE	1	2.88	
16	M10028	PLATE	1	2.88	
17	M10948	ASSEMBLY	1	22	41
18	N01530316	BOLT, HEXAGONAL	3	0.12	
19	704203927160	NUT, SELF-LOCKING	3	0.035	
20	704007040000	PLAIN WASHER	6	0.0113	
21	N01530201	BOLT, HEXAGONAL	4	0.053	

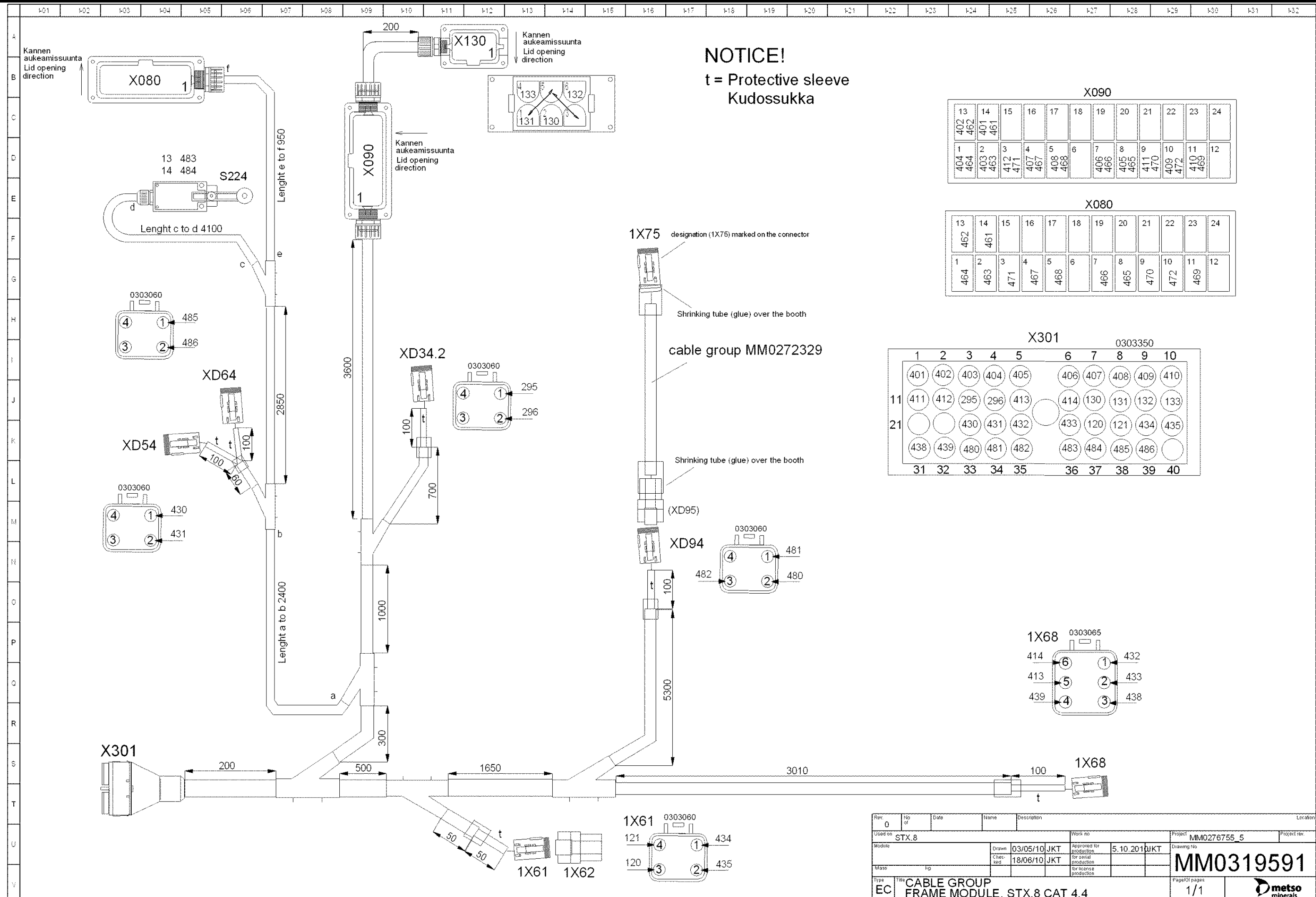


Pos.	Part No.	Description	Qty	Net Wght
1	M10949	ASSEMBLY	1	21.88
2	706300691000	TENSIONER LATCH	1	0.201
3	706300690900	HOOK	1	0.03
4	704203927050	NUT, SELF-LOCKING	5	0.01
5	704203924060	SCREW, SLOT-HEAD	5	
6	704006830000	PLAIN WASHER	5	0.01



Rev.	No of	Date	Name	Description	Location
0					
Used on		STX.8		Work no	Project
				26.8.2011	MM0276755_5
Module		Drawn	13/08/10	JKT	Approved for production
		Checked	13/08/10	JKT	for serial production
Mass		kg			for license production
Type	ELECTRIFICATION FRAME MODULE STX.8				Page/Of pages
EC					1/1

Pos.	Part No.	Description	Qty	Net Wght	Page
1	MM0319591	CABLE GROUP	1		43
2	MM0212601	CONTROL BOX	1	2	45



NOTICE!
t = Protective sleeve
Kudossukka

X090

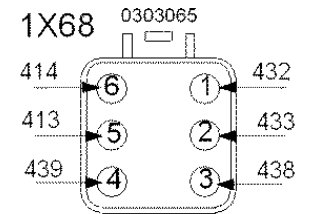
13	14	15	16	17	18	19	20	21	22	23	24
402	401										
462	461										
1	2	3	4	5	6	7	8	9	10	11	12
404	403	412	407	408		406	405	411	409	410	411
464	463	471	467	468		466	465	470	472	469	469

X080

13	14	15	16	17	18	19	20	21	22	23	24
462	461										
1	2	3	4	5	6	7	8	9	10	11	12
464	463	471	467	468		466	465	470	472	469	469

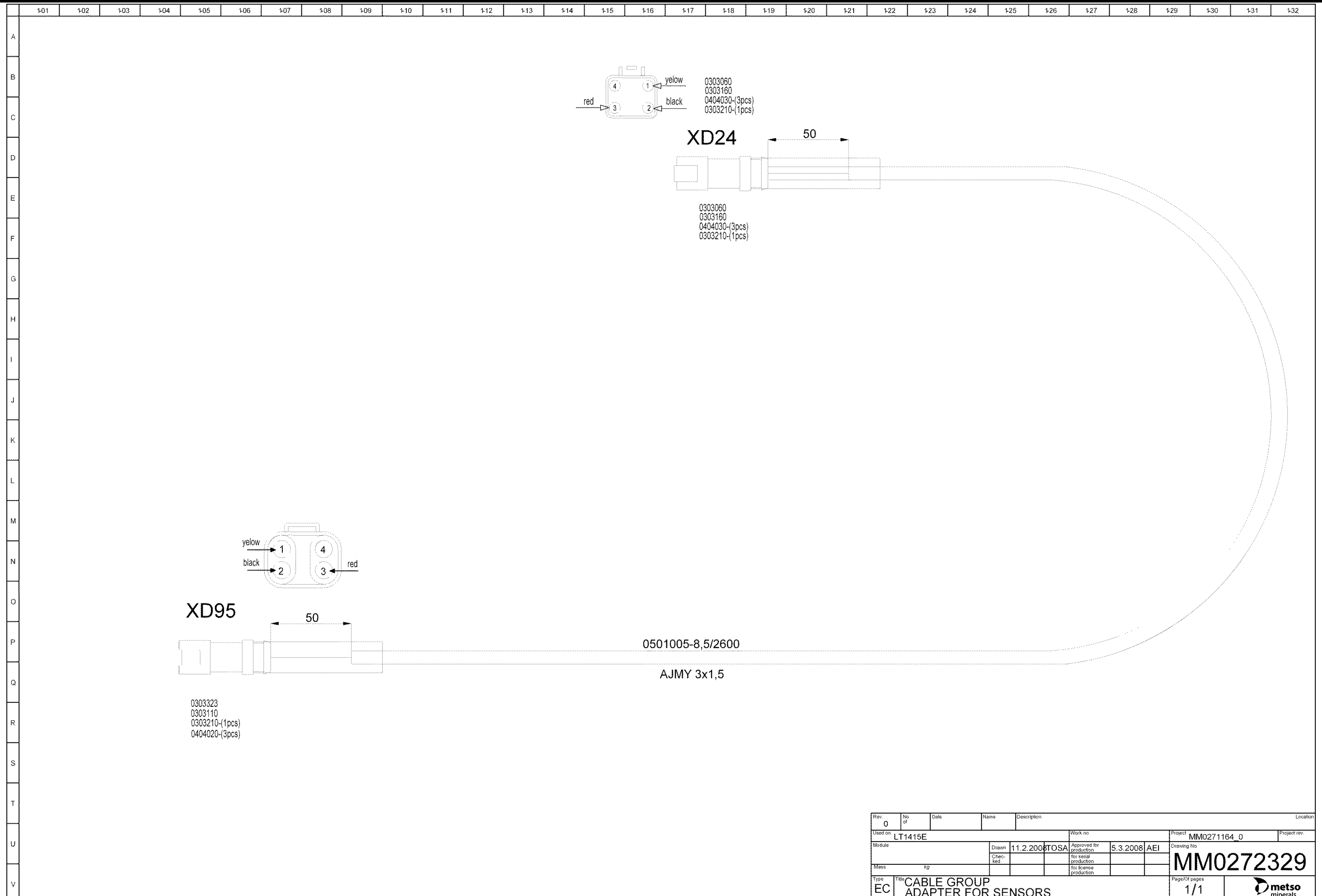
X301 0303350

	1	2	3	4	5	6	7	8	9	10
	401	402	403	404	405	406	407	408	409	410
11	411	412	295	296	413	414	130	131	132	133
21			430	431	432	433	120	121	434	435
	438	439	480	481	482	483	484	485	486	
	31	32	33	34	35	36	37	38	39	40



Rev.	No of	Date	Name	Description	Location
0					
Used on		Module		Work no	Project
STX.8					MM0276755_5
		Drawn	Checked	Approved for production	Project rev.
		03/05/10	JKT	5.10.2010	JKT
		18/06/10	JKT		
Mass		kg		for license production	
Type		EC		CABLE GROUP FRAME MODULE, STX.8 CAT 4.4	
		Page/Of pages		1/1	

Pos.	Part No.	Description	Qty	Net Wght	Page
1	MM0272329	CABLE GROUP	1	0.2	44
1X61	N11449656	PLUG	1	0.113	
1X68	N11449814	PLUG	1	0.001	
S224	N05222247	LIMIT SWITCH	1	0.25	
X080	707301593730	PLUG POINT	1	0.1	
X090	707301593730	PLUG POINT	1	0.1	
X130	707301593520	PLUG POINT	1	0.2	
X301	N11449933	CONNECTOR	1	0.13	
XD34.2	N11449656	PLUG	1	0.113	
XD54	N11449656	PLUG	1	0.113	
XD64	N11449656	PLUG	1	0.113	
XD94	N11449656	PLUG	1	0.113	

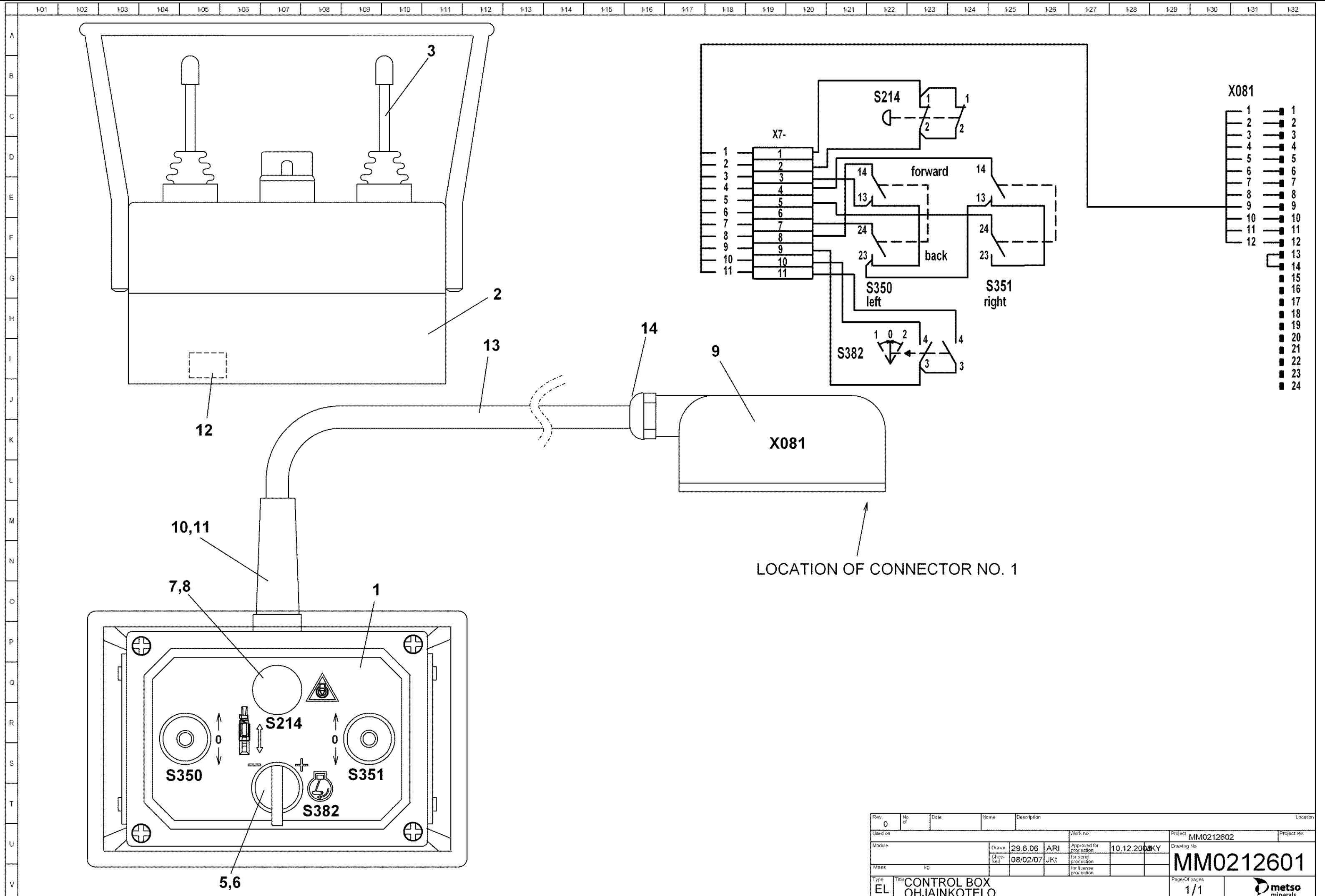


Rev.	No of	Date	Name	Description	Location
0					
Used on	LT1415E		Work no	Project MM0271164_0	
Module	Drawn	11.2.2008	TOSA	Approved for production	5.3.2008 AEI
Mass	kg			for serial production	
Type	EC			for license production	
Title				CABLE GROUP ADAPTER FOR SENSORS	
Page/Of pages				1/1	



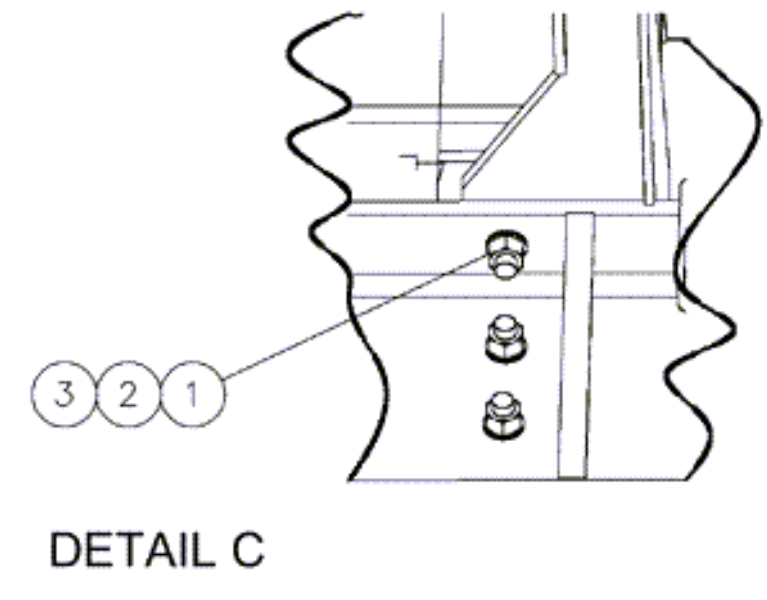
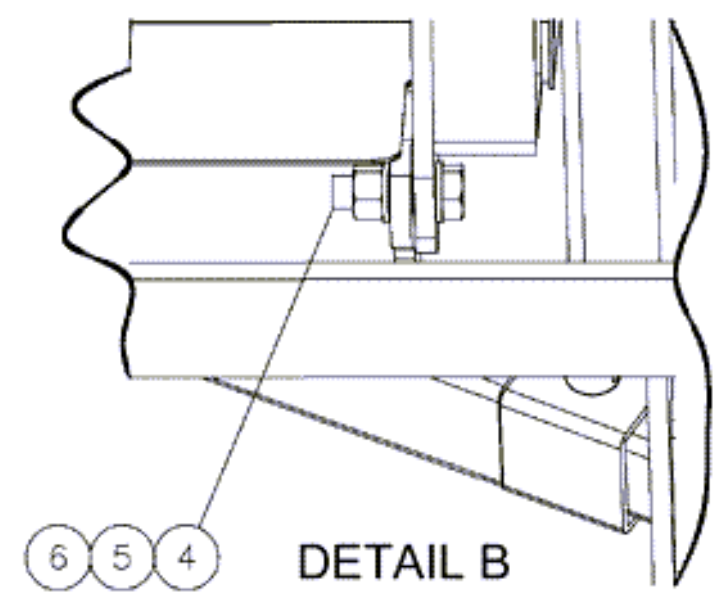
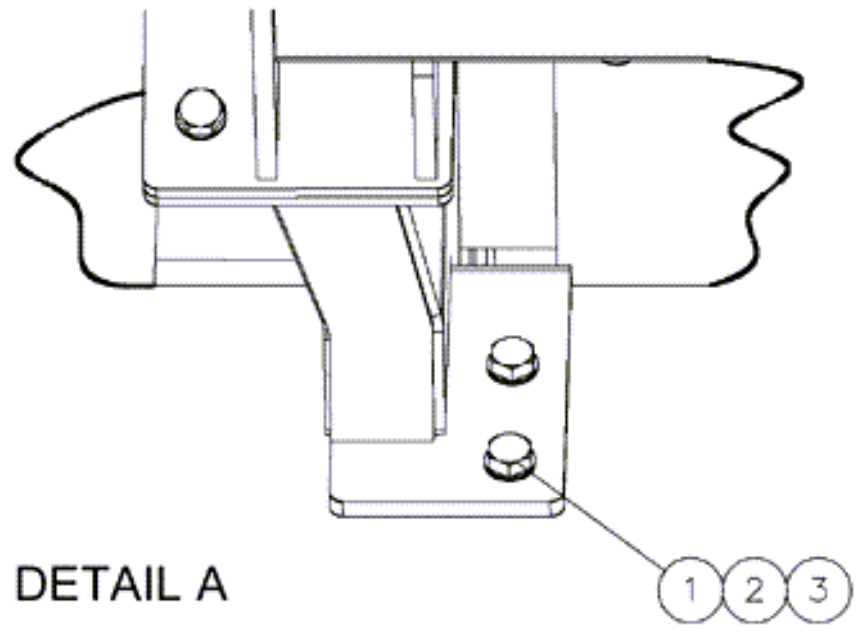
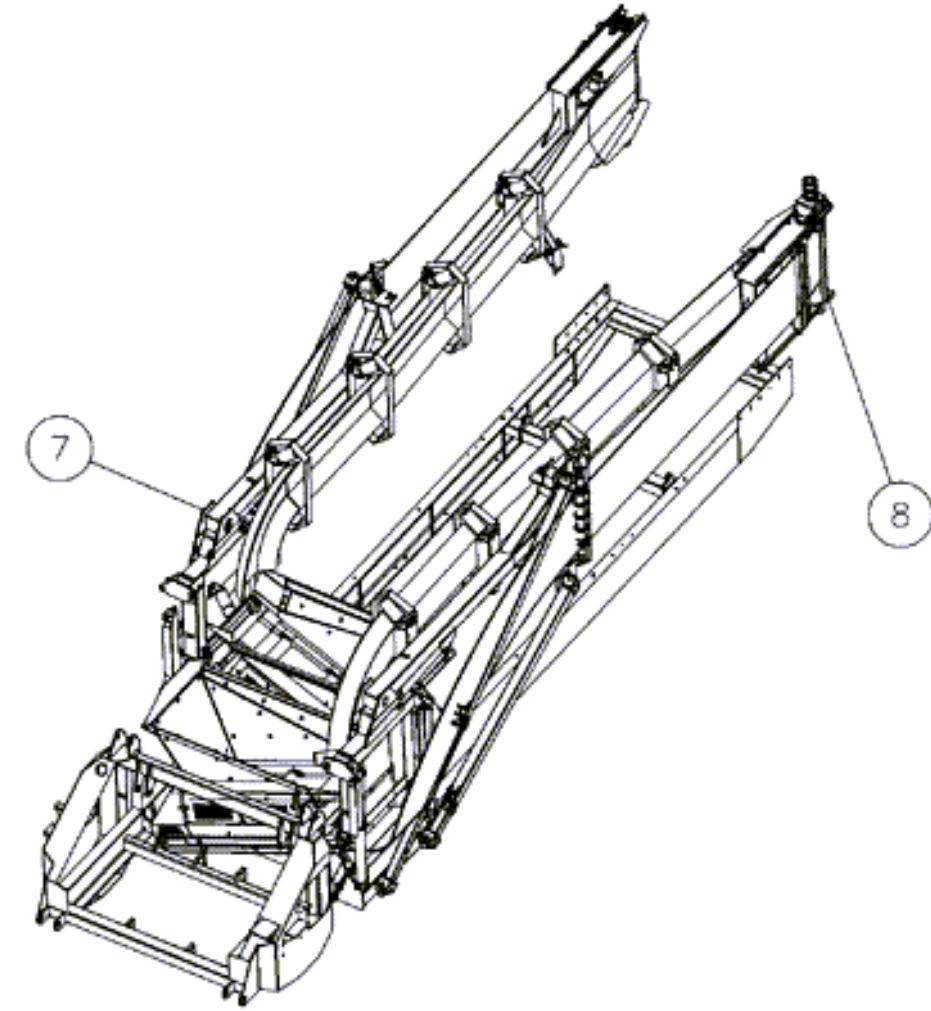
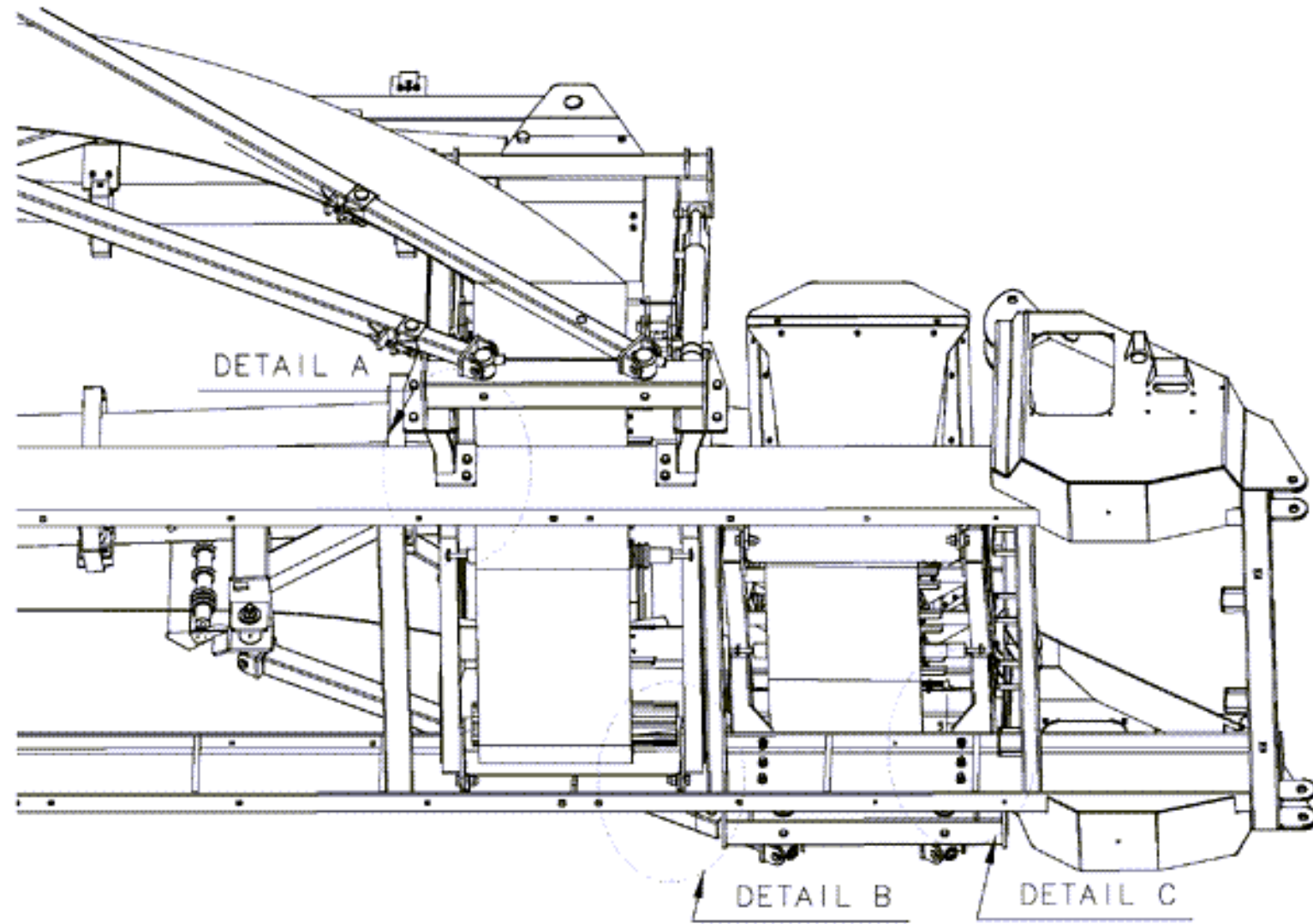
Lokotrack ST3.8 s/n 76292
MM0272329_0 CABLE GROUP

Pos.	Part No.	Description	Qty	Net Wght
W1	707600410100	CABLE	1	
XD24	N11449656	PLUG	1	0.113
XD95	N11449655	SOCKET	1	.01

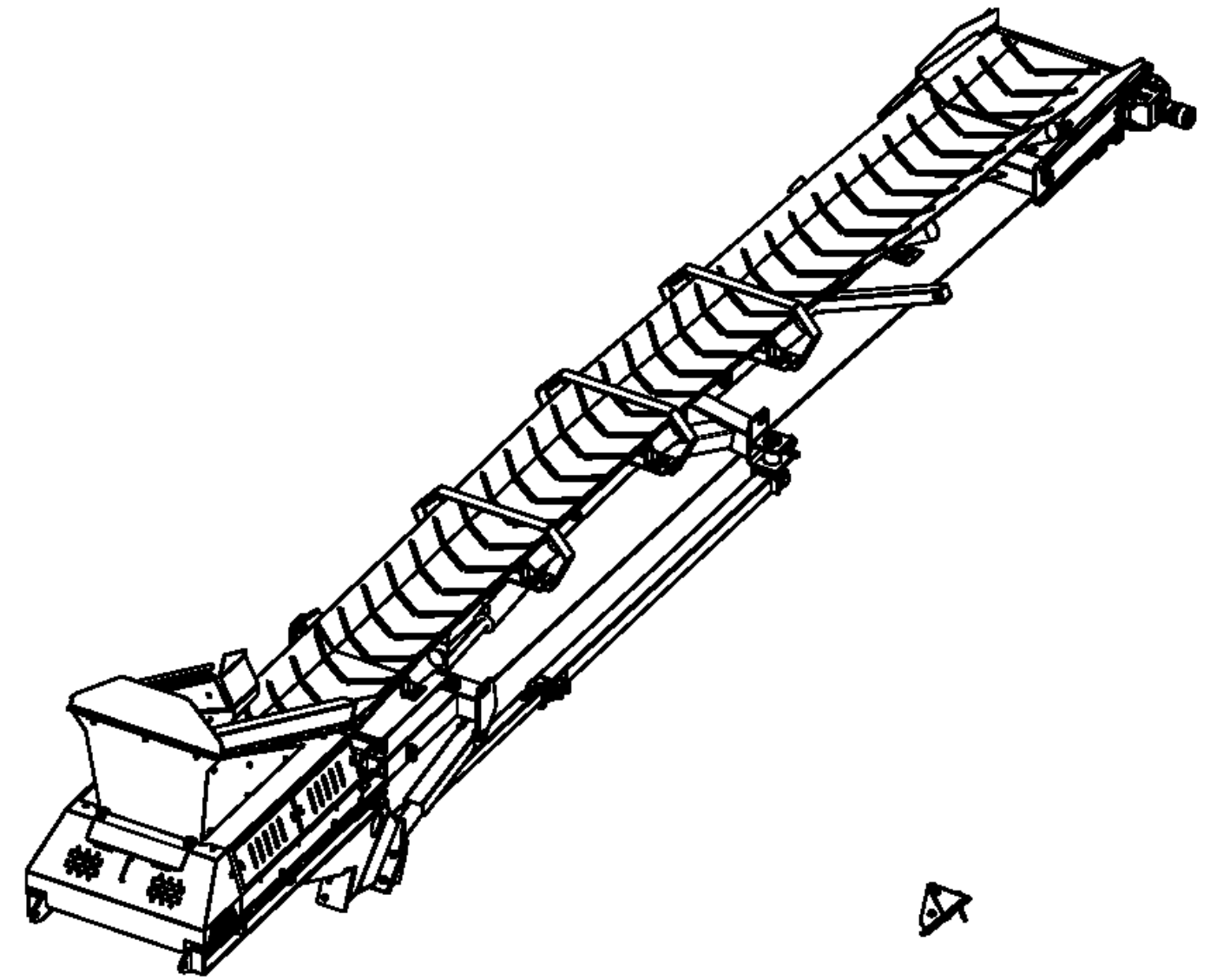
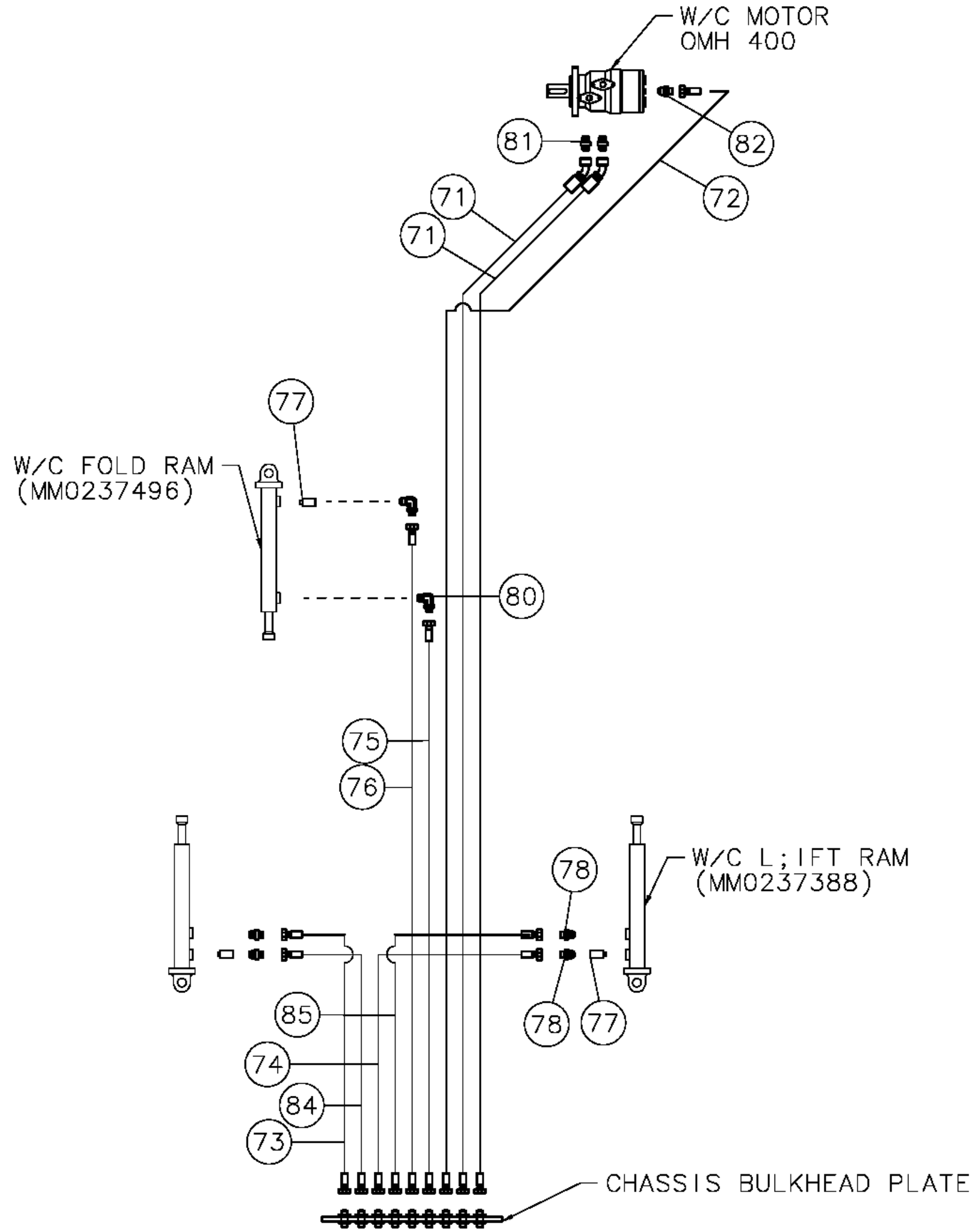


Rev.	No. of	Date	Name	Description	Location
0					
Used on		Work no		Project	
				MM0212602	
Module		Drawn	29.6.06	ARI	Approved for production
		Checked	08/02/07	JKt	10.12.2008
Mass		kg		for serial production	
				for license production	
Type	Title				Page/Of pages
EL	CONTROL BOX OHJAINKOTELO				1/1

Pos.	Part No.	Description	Qty	Net Wght
1	N11450399	STICKER	1	
2	N05256501	CASE	1	0.465
3	MM0232788	JOYSTICK CONTROLLER	2	0.095
5	MM0232900	SWITCH	1	0.0907
7	MM0232888	PUSH BUTTON	1	0.08
8	MM0223951	CONTACT BLOCK	1	0.030
9	707301593880	SOCKET PLUG	1	.349
10	N05241527	NUT, BACK	1	0.004
11	N05241930	CABLE SEAL	1	
12	707701973004	CONNECTION STRIP	1	0.04
13	N05208021	ELECTRIC CABLE	1	
14	MM0287857	ADAPTER	1	0.01
	N05241002	CABLE SEAL	1	0.01

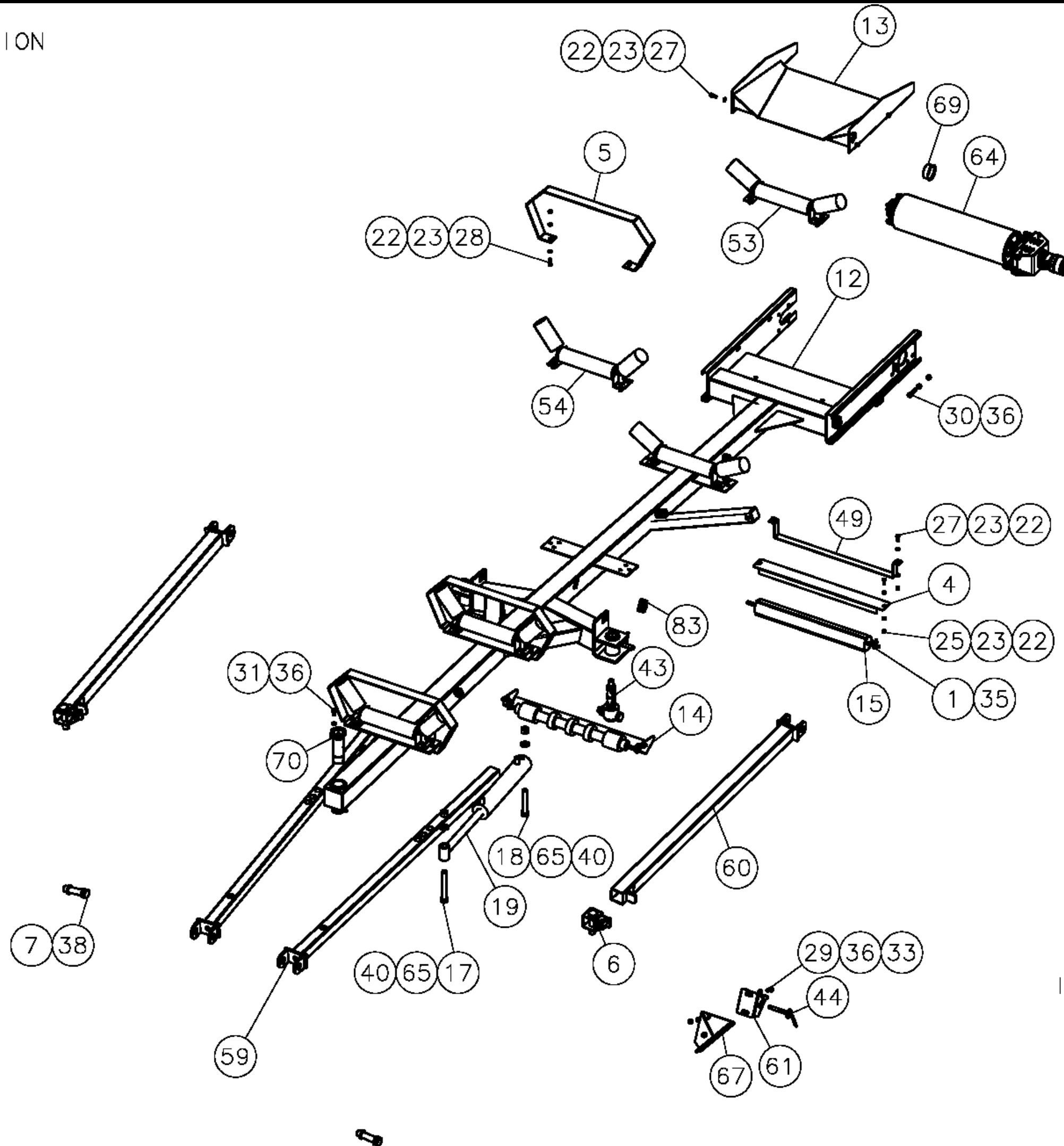


Pos.	Part No.	Description	Qty	Net Wght	Page
1	N01570220	JAM NUT, HEXAGONAL	12	0.06	
2	N01626520	PLAIN WASHER	24	0.017	
3	N01530001	BOLT, HEXAGONAL	12	0.216	
4	N01565003	NUT, HEXAGONAL	4	0.094	
5	704007190000	PLAIN WASHER	8	0.03	
6	N01530524	BOLT, HEXAGONAL	4	0.39	
7	M11588	BELT CONVEYOR	1	2109.87	47
8	M11628	BELT CONVEYOR	1	2090.4	62



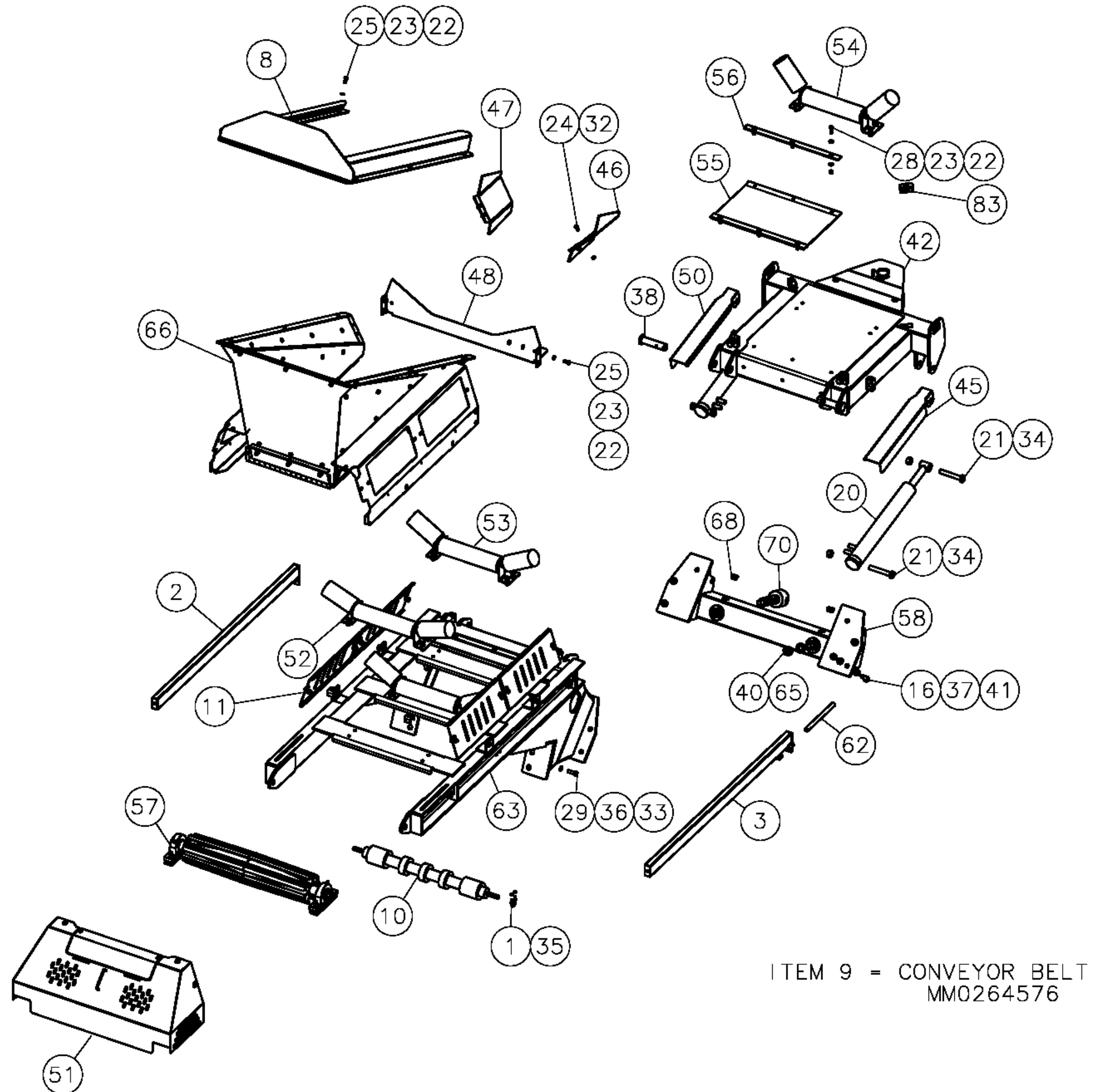
*NB:WEIGHT GIVEN IS TAKEN FROM THE MODEL AND DOES NOT INCLUDE CERTAIN PURCHASED PARTS E.G MOTOR, RAMS, ROLLERS

HEAD SECTION



ITEM 9 = CONVEYOR BELT
MM0264576

TAIL SECTION

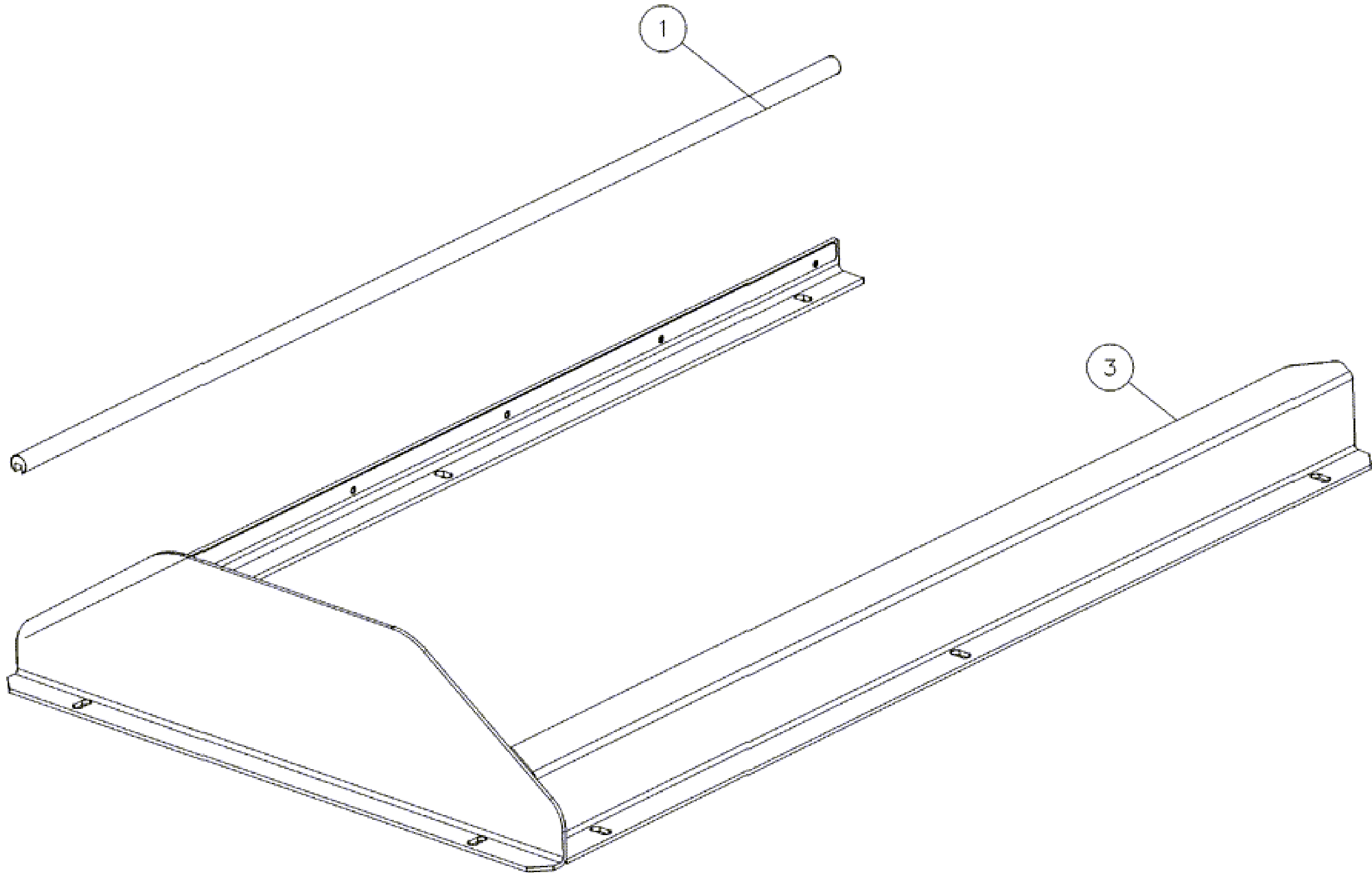


Pos.	Part No.	Description	Qty	Net Wght	Page
1	N01841013	U-BOLT	4	0.05	
2	M09783	ADJUSTMENT ROD	1	11.8	
3	M11465	ADJUSTMENT ROD	1	11.8	
4	M11571	PLATE	1	3.28	
5	M11572	PLATE	3	6.2	
6	M09868	BRACKET	2	2.8	
7	M09871	SPACER	8	0.1	
8	M11606	CHUTE EXTENSION ASSEMBLY	1	35	48
9	MM0264578	CONVEYOR BELT, ENDLESS	1	191	
10	MM0264890	RETURN ROLLER	1	16	
11	MM0316945	PROTECTION INSTALLATION	1	2163.2	49
12	MM0322261	HEAD ASSEMBLY	1	381.85	
13	M11589	BELT GUARD	1	29	
14	MM0268523	RETURN ROLLER	1	3.85	50
15	M11635	ROLLER ASSEMBLY	1	13.0	
16	N01530001	BOLT, HEXAGONAL	8	0.216	
17	7001530636	SCREW, HEXAGONAL	1	1.6	
18	N01530632	BOLT, HEXAGONAL	1	1.2	
19	MM0237496	HYDRAULIC CYLINDER	1	29.8	51
20	MM0237388	HYDRAULIC CYLINDER	2	16	52
21	N01530540	BOLT, HEXAGONAL	4	0.63	
22	7001570012	NUT, SELF-LOCKING	46	0.01	
23	704006970000	PLAIN WASHER	91	0.01	
24	N01530136	SCREW, HEXAGONAL	4	0.02	
25	N01530194	SCREW, HEXAGONAL	26	0.037	
27	N01530197	BOLT, HEXAGONAL	4	0.05	
28	N01530199	BOLT, HEXAGONAL	14	0.05	
29	N01530313	BOLT, HEXAGONAL	6	0.11	
30	N01530321	BOLT, HEXAGONAL	2	0.139	
31	N01530306	SCREW, HEXAGONAL	1	0.077	
32	N01570210	NUT, SELF-LOCKING	4	0.0051	
33	N01570216	NUT, HEXAGONAL	8	.196	
34	N01565003	NUT, HEXAGONAL	6	0.094	
35	704203927080	NUT, SELF-LOCKING	8	0.0056	
36	N01626516	PLAIN WASHER	9	0.012	
37	N01626520	PLAIN WASHER	10	0.017	
38	M09771	JOINT PIN	8	1.8	
39	M09770	JOINT PIN	1	7.6	
40	704203927300	NUT, SELF-LOCKING	6	0.22	
41	N01570220	JAM NUT, HEXAGONAL	8	0.06	
42	M11593	MIDDLE FRAME	1	182.8	
43	M09657	PIN	2	7.6	
44	M04849-09	PIN	1	0.634	
45	N11904032	GUARD	1	3.3	
46	N11904040	PLATE	1	4.3	
47	N11904041	PLATE	1	4.3	
48	M11573	PLATE	1	7	
49	M11574	PLATE	1	1.9	
50	N11904031	GUARD	1	3.3	
51	MM0263126	GUARD	1	26	
52	MM0267853	ROLLER ASSEMBLY	1	13	53
53	MM0267854	ROLLER ASSEMBLY	4	13	54
54	MM0267855	ROLLER ASSEMBLY	4	13	55
55	M11575	PLATE	1	14.6	
56	M11576	PLATE	2	1.2	
57	M11596	PULLEY INSTALLATION	1	72	56
58	M11598	SUPPORT WELDING	1	82.76	
59	MM0322300	SUPPORT WELDING	2	35.38	
60	M09663	SUPPORT WELDING	2	42.07	
61	M11645	SUPPORT ASSEMBLY	1	3.7	
62	M01870-1	SCREW, ADJUSTING	2	1.25	
63	M11600	FRAME	1	256	
64	M11601	DRIVE DRUM ASSEMBLY	1	81	58
65	N01626530	PLAIN WASHER	6	0.05	
66	M11608	HOPPER	1	210.94	59
67	M11696	BRACKET	1	3.4	
68	MM0283475	PLUG, PLASTIC	2		
69	MM0275780	END COVER	1	0.045	
70	M09657	PIN	2	7.6	
71	N44460627	HYDRAULIC HOSE	2	7.91	
72	N44460630	HYDRAULIC HOSE	1	5.11	
73	N44460584	HYDRAULIC HOSE	1	0.69	
74	MM0234900	HYDRAULIC HOSE	1	0.76	
75	N44460631	HYDRAULIC HOSE	1	2.0	
76	N44460632	HYDRAULIC HOSE	1	2.19	
77	706300792339	CONNECTION	3	0.3	
	N02456150	HOSE BURST VALVE	3	0.02	

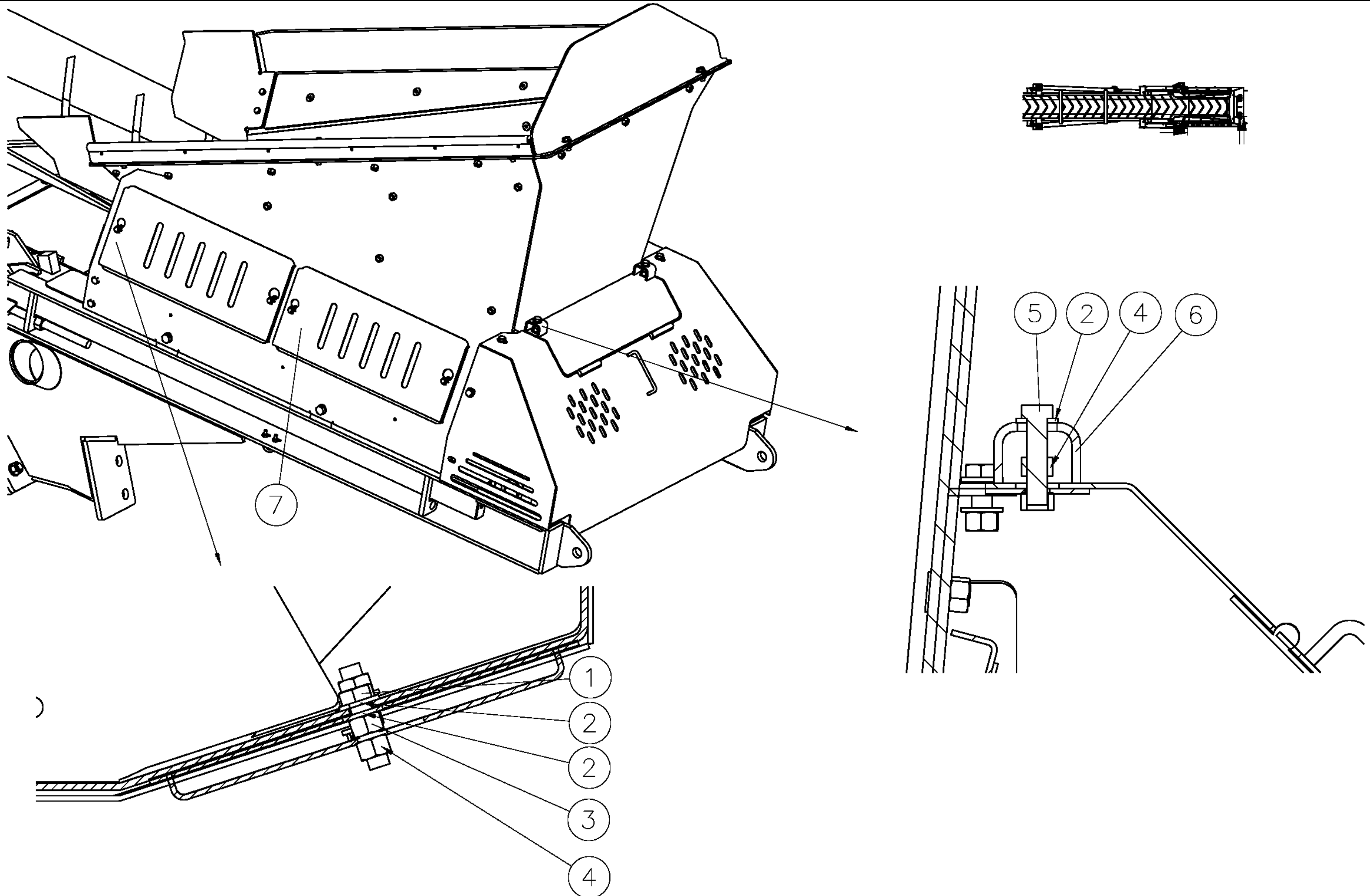


Lokotrack ST3.8 s/n 76292
M11588_9 BELT CONVEYOR

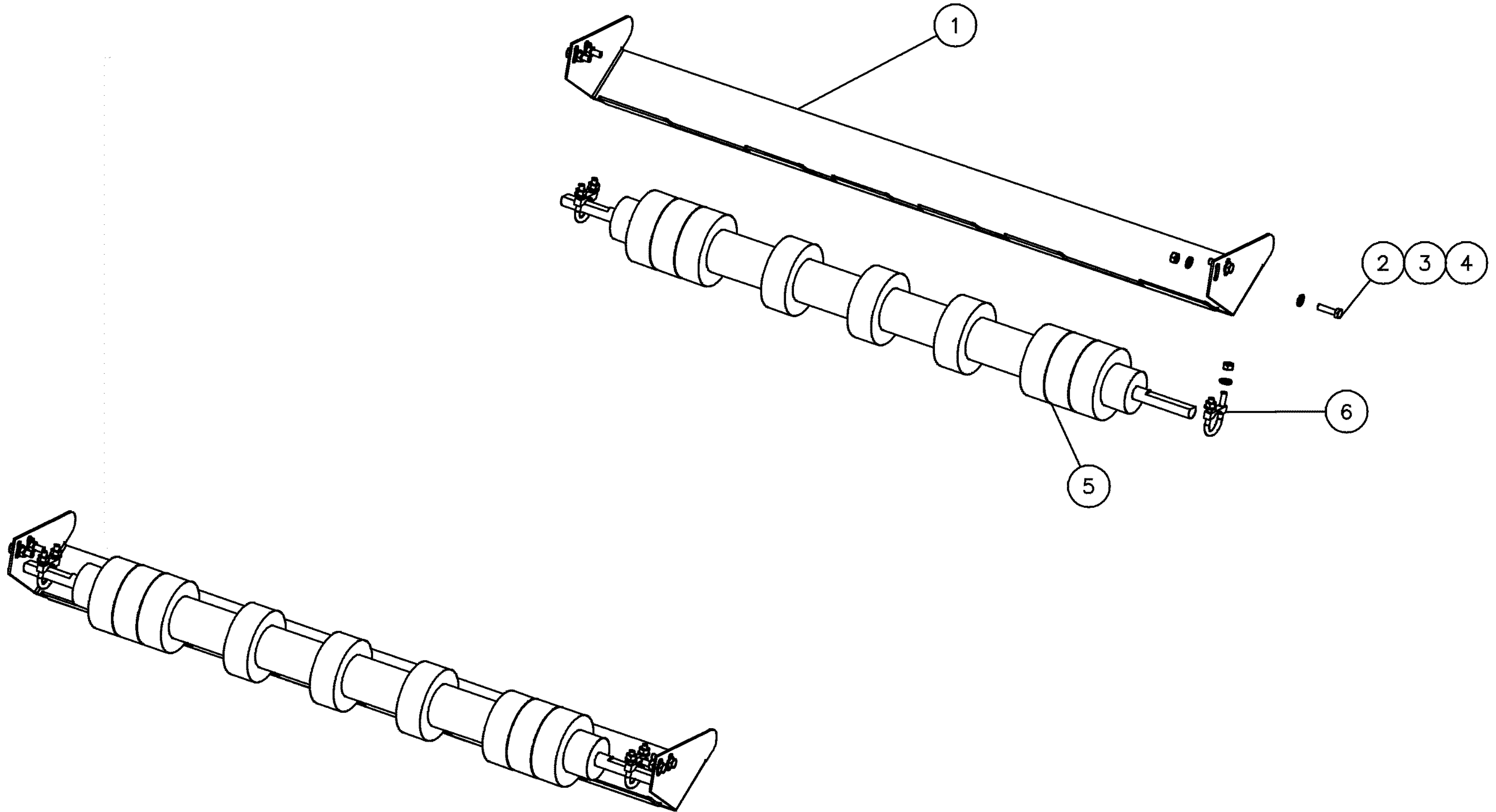
Pos.	Part No.	Description	Qty	Net Wght	Page
78	706300790065	CONNECTION	4	0.103	
80	706300790010	CONNECTION	2	0.164	
81	706300790069	CONNECTION	2	0.11	
82	N02405458	STUD FITTING, MALE, STRAIGHT	1	0.11	
83	N02118829	FASTENER PAIR	10	0.2	
84	N44460584	HYDRAULIC HOSE	1	0.69	
85	MM0234900	HYDRAULIC HOSE	1	0.76	
86	MM0243240	GREASING CONTROLLER	1	3	61



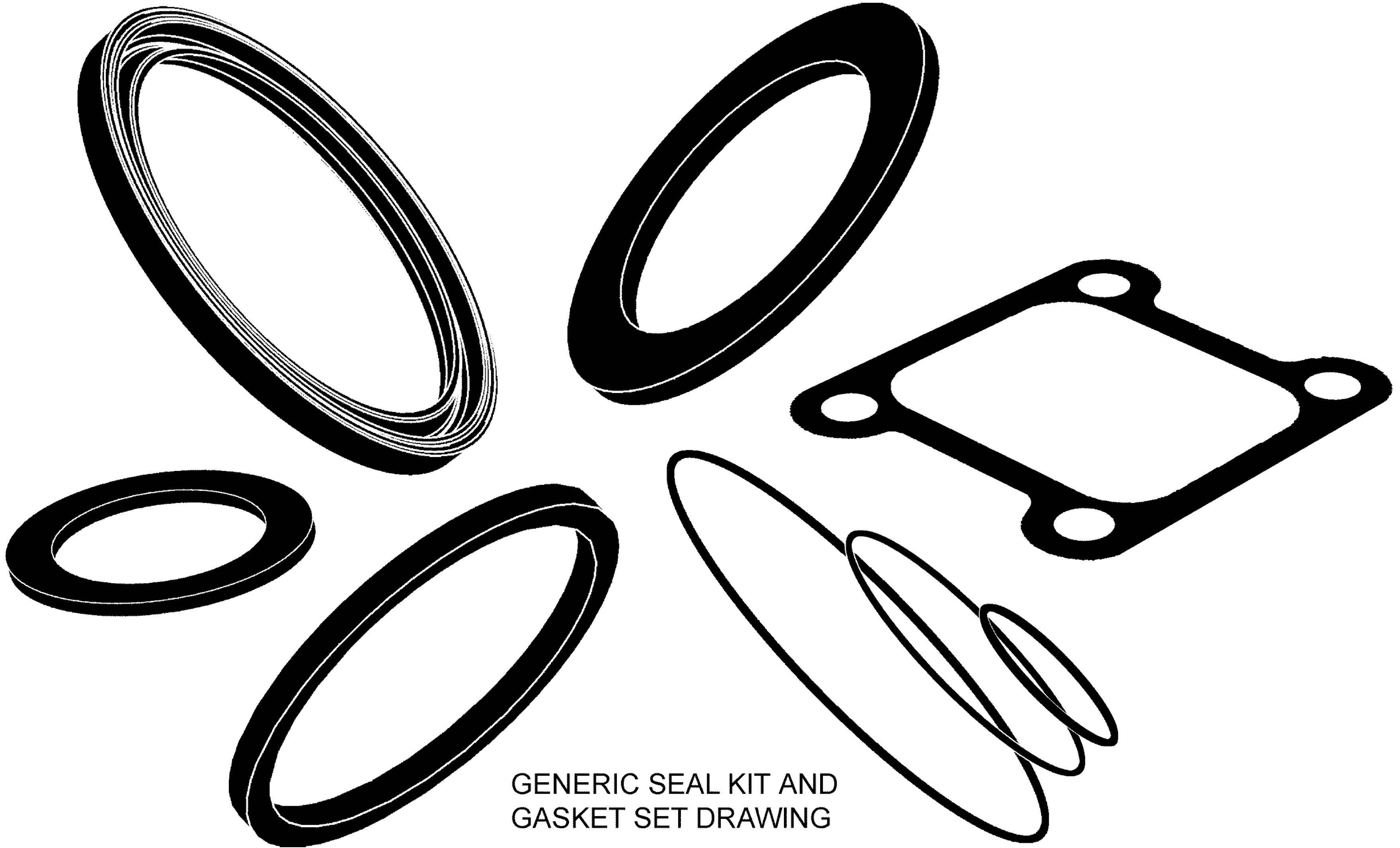
Pos.	Part No.	Description	Qty	Net Wght
1	M09889	SUPPORT, RUBBER	1	1
2	M11607	EXTENSION	1	33.7



Pos.	Part No.	Description	Qty	Net Wght
1	N01530199	BOLT, HEXAGONAL	8	0.05
2	704006970000	PLAIN WASHER	18	0.01
3	704202205000	NUT, HEXAGONAL	8	0.0165
4	7001570012	NUT, SELF-LOCKING	10	0.01
5	N01530204	SCREW, HEXAGONAL	2	0.05
6	MM0316939	FASTENING PLATE	2	0.15
7	MM0316938	COVER PLATE	4	3.34



Pos.	Part No.	Description	Qty	Net Wght
1	MM0266010	PLATE	1	2.6
2	N01530106	SCREW, HEXAGONAL	4	0.02
3	N01626508	PLAIN WASHER	12	0.013
4	704203927080	NUT, SELF-LOCKING	8	0.0056
5	MM0264890	RETURN ROLLER	1	16
6	N01841013	U-BOLT	2	0.05

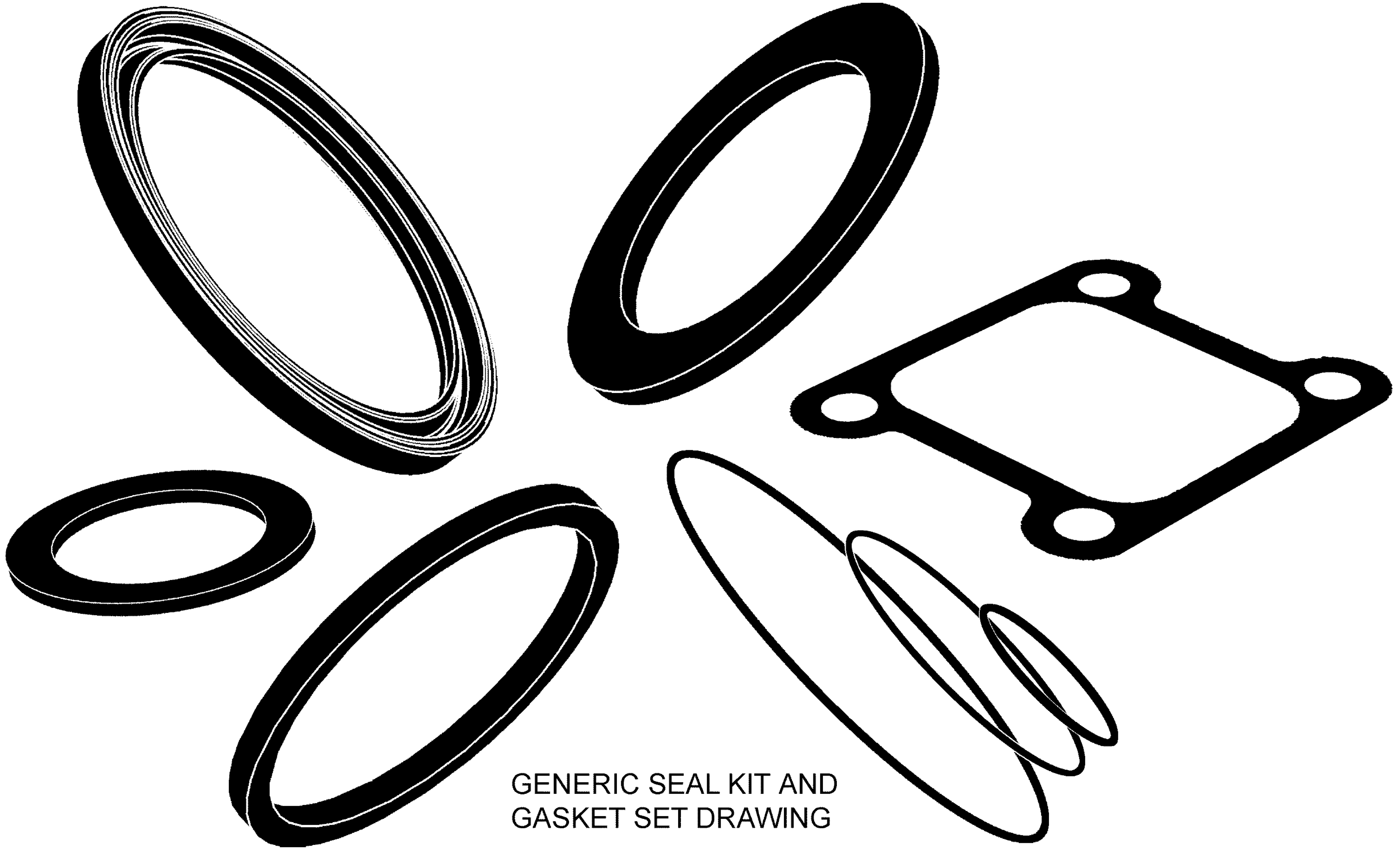


GENERIC SEAL KIT AND
GASKET SET DRAWING



Lokotrack ST3.8 s/n 76292
MM0237496_0 HYDRAULIC CYLINDER

Pos.	Part No.	Description	Qty	Net Wght
0	MM0237905	SEAL KIT	1	0.01

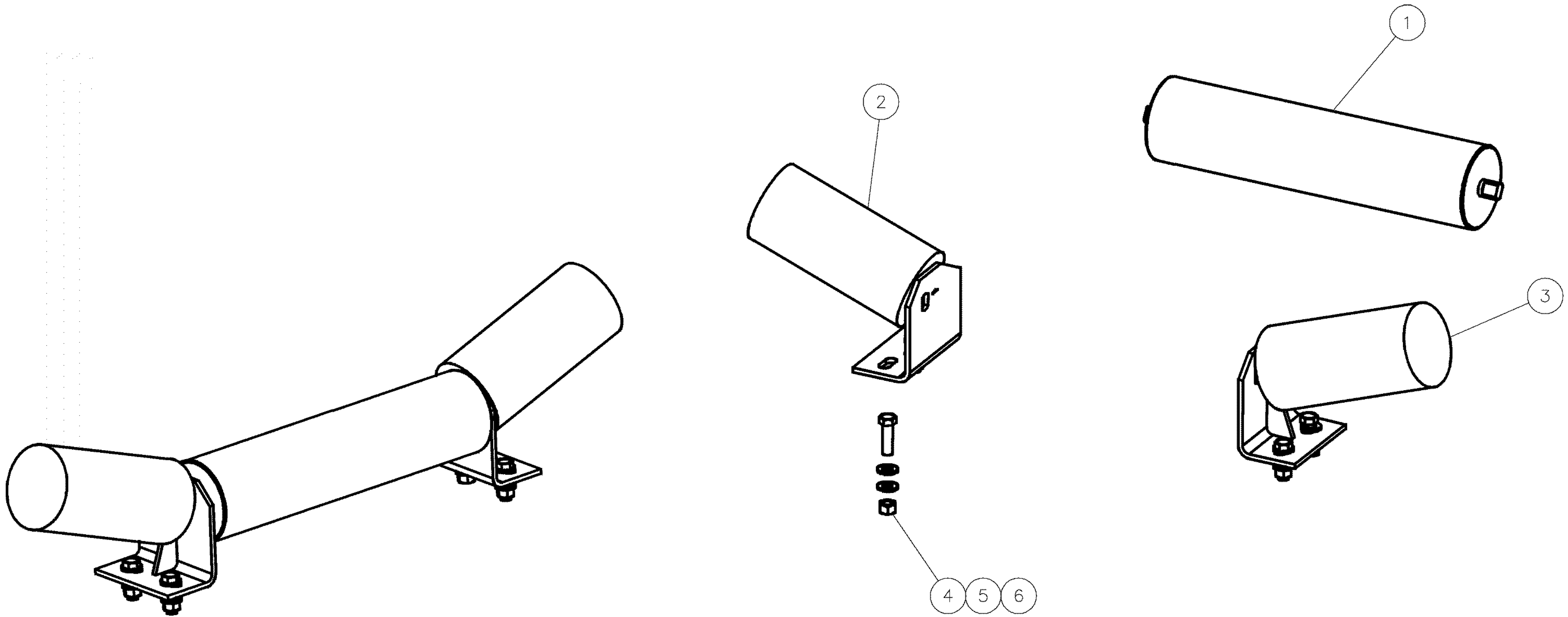


GENERIC SEAL KIT AND
GASKET SET DRAWING

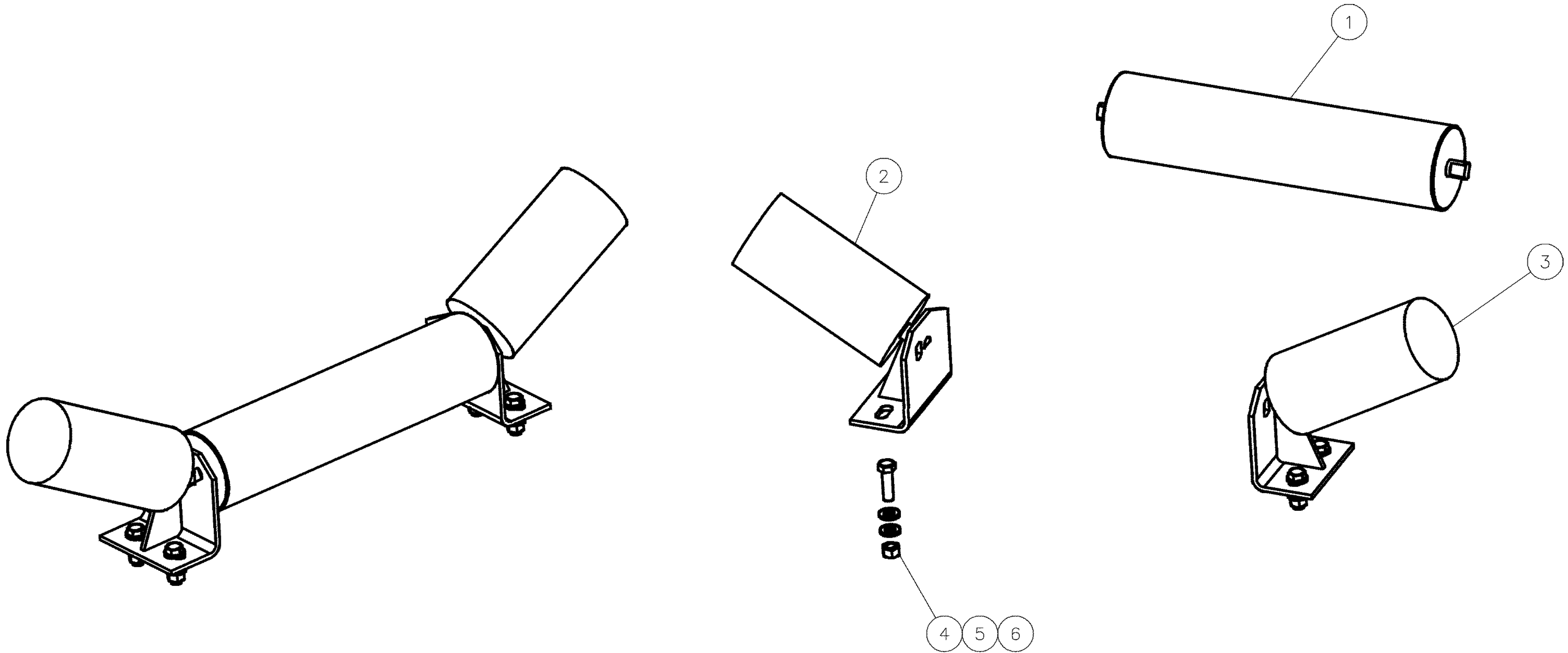


Lokotrack ST3.8 s/n 76292
MM0237388_0 HYDRAULIC CYLINDER

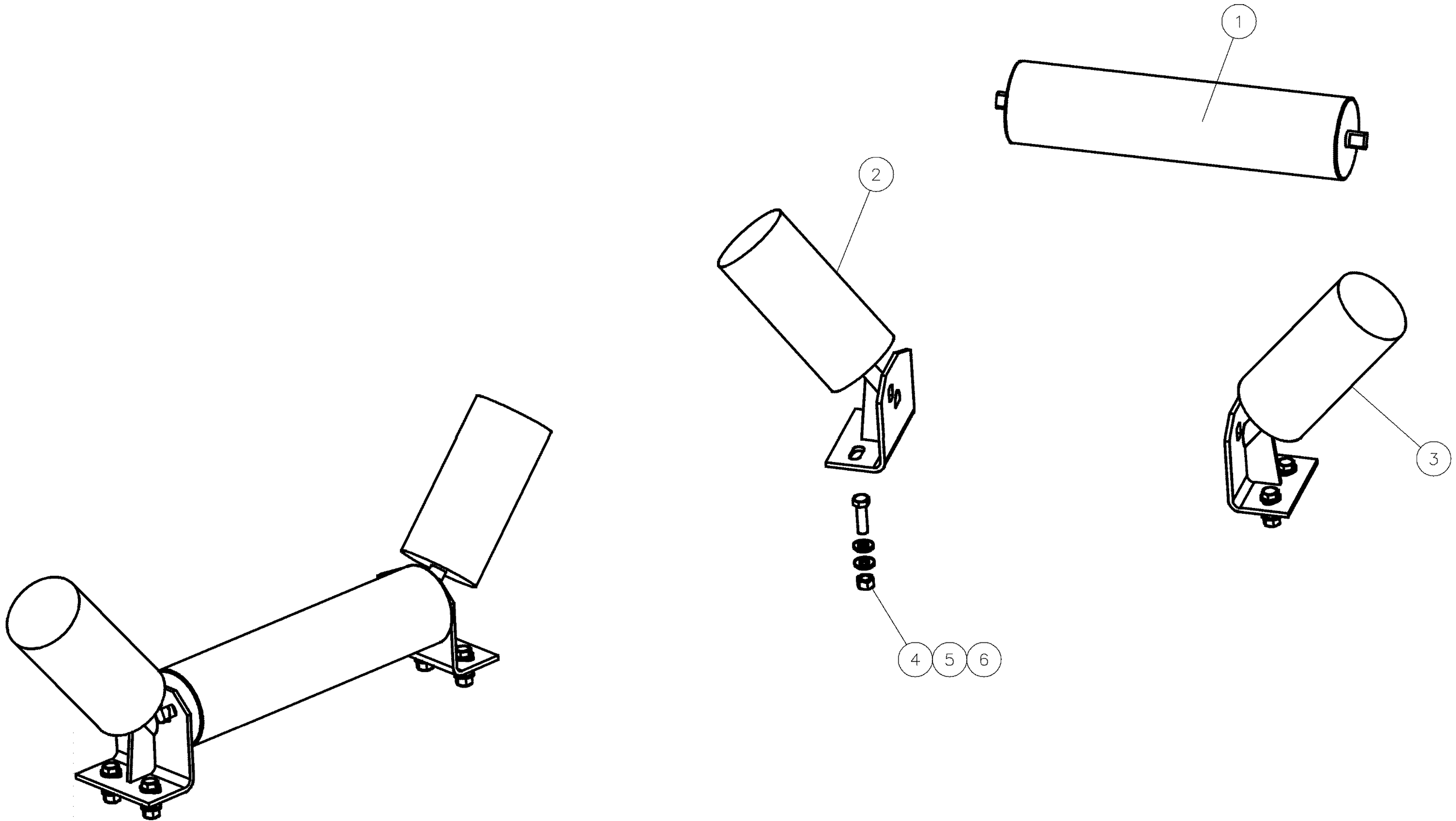
Pos.	Part No.	Description	Qty	Net Wght
0	MM0237886	SEAL KIT	1	0.01



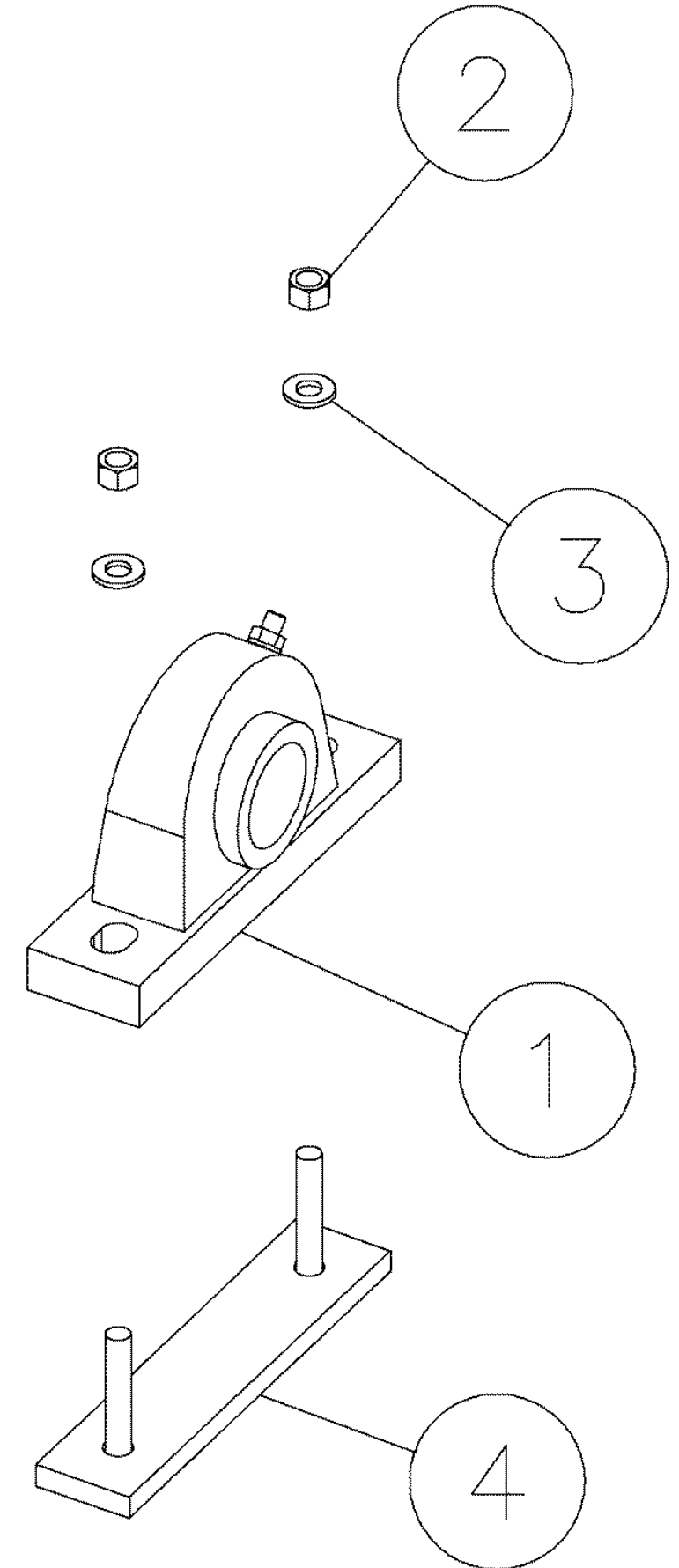
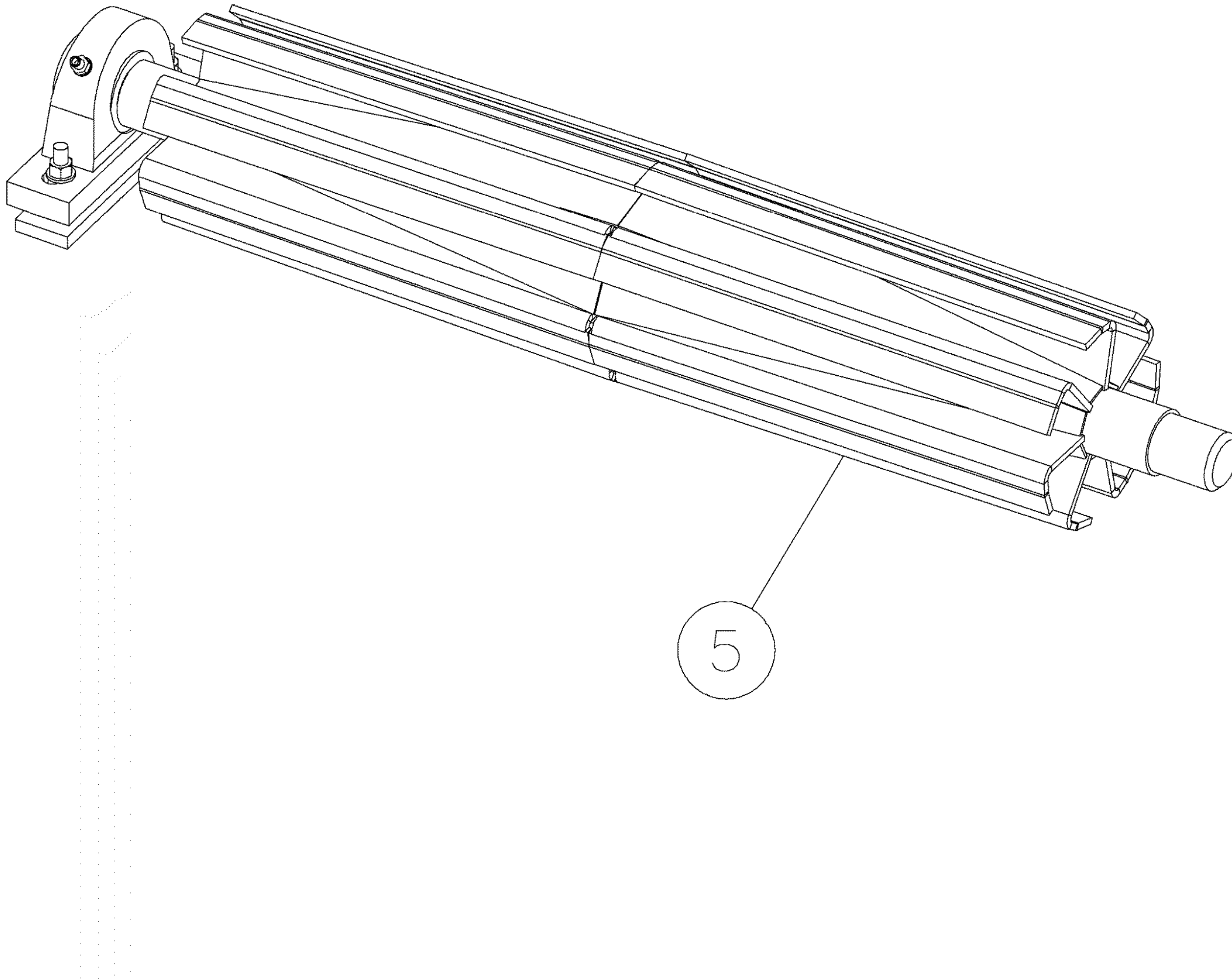
Pos.	Part No.	Description	Qty	Net Wght
1	MM0281416	ROLLER	1	4.73
2	MM0252790	ROLLER	1	2.8
3	MM0252800	ROLLER	1	2.8
4	7001570012	NUT, SELF-LOCKING	4	0.01
5	704006970000	PLAIN WASHER	8	0.01
6	N01530199	BOLT, HEXAGONAL	4	0.05



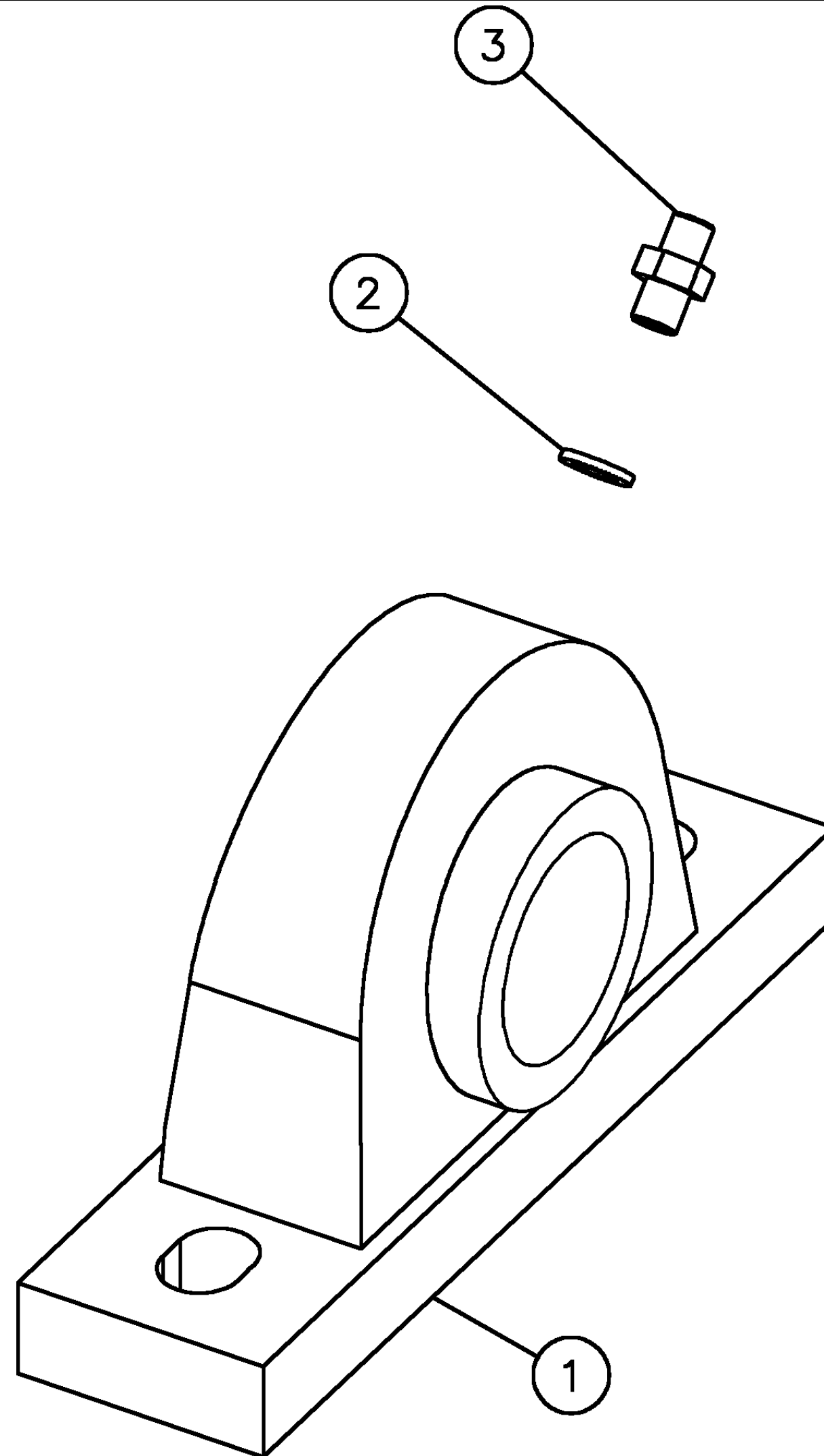
Pos.	Part No.	Description	Qty	Net Wght
1	MM0281416	ROLLER	1	4.73
2	MM0253176	ROLLER	1	2.8
3	MM0253190	ROLLER	1	2.8
4	7001570012	NUT, SELF-LOCKING	4	0.01
5	704006970000	PLAIN WASHER	8	0.01
6	N01530199	BOLT, HEXAGONAL	4	0.05



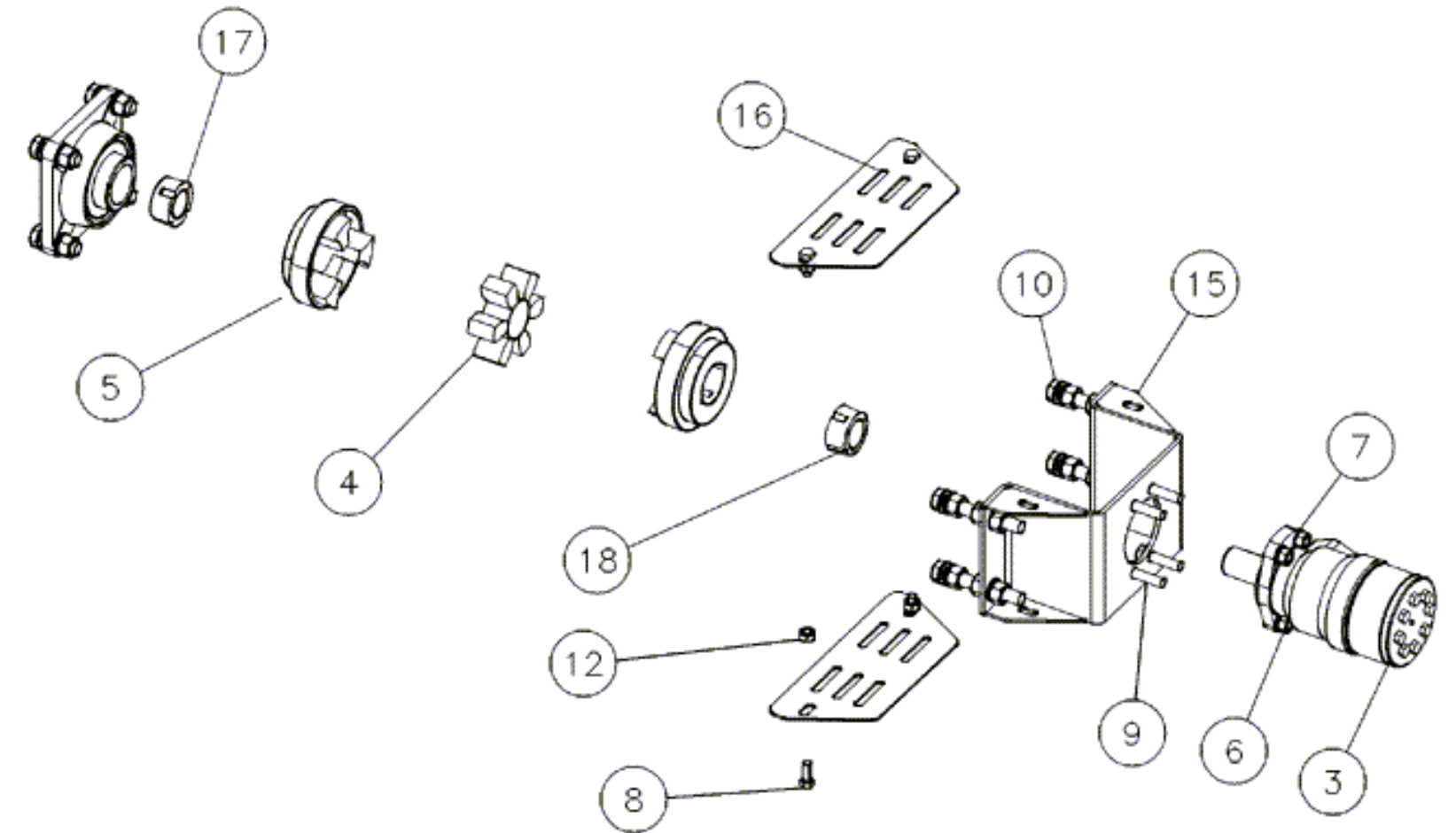
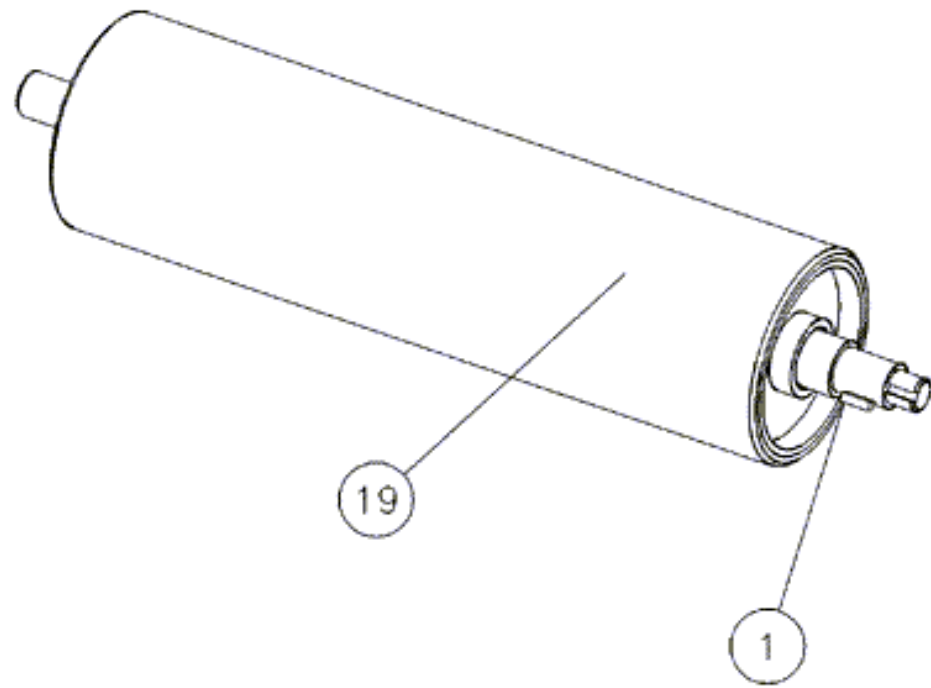
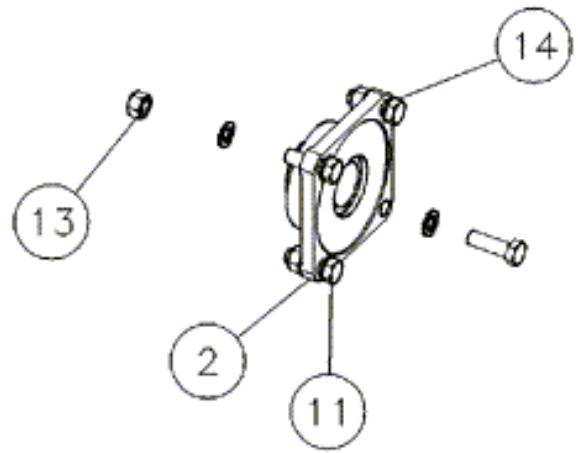
Pos.	Part No.	Description	Qty	Net Wght
1	MM0281416	ROLLER	1	4.73
2	MM0253219	ROLLER	1	3.51
3	MM0253218	ROLLER	1	3.51
4	7001570012	NUT, SELF-LOCKING	4	0.01
5	704006970000	PLAIN WASHER	8	0.01
6	N01530199	BOLT, HEXAGONAL	4	0.05



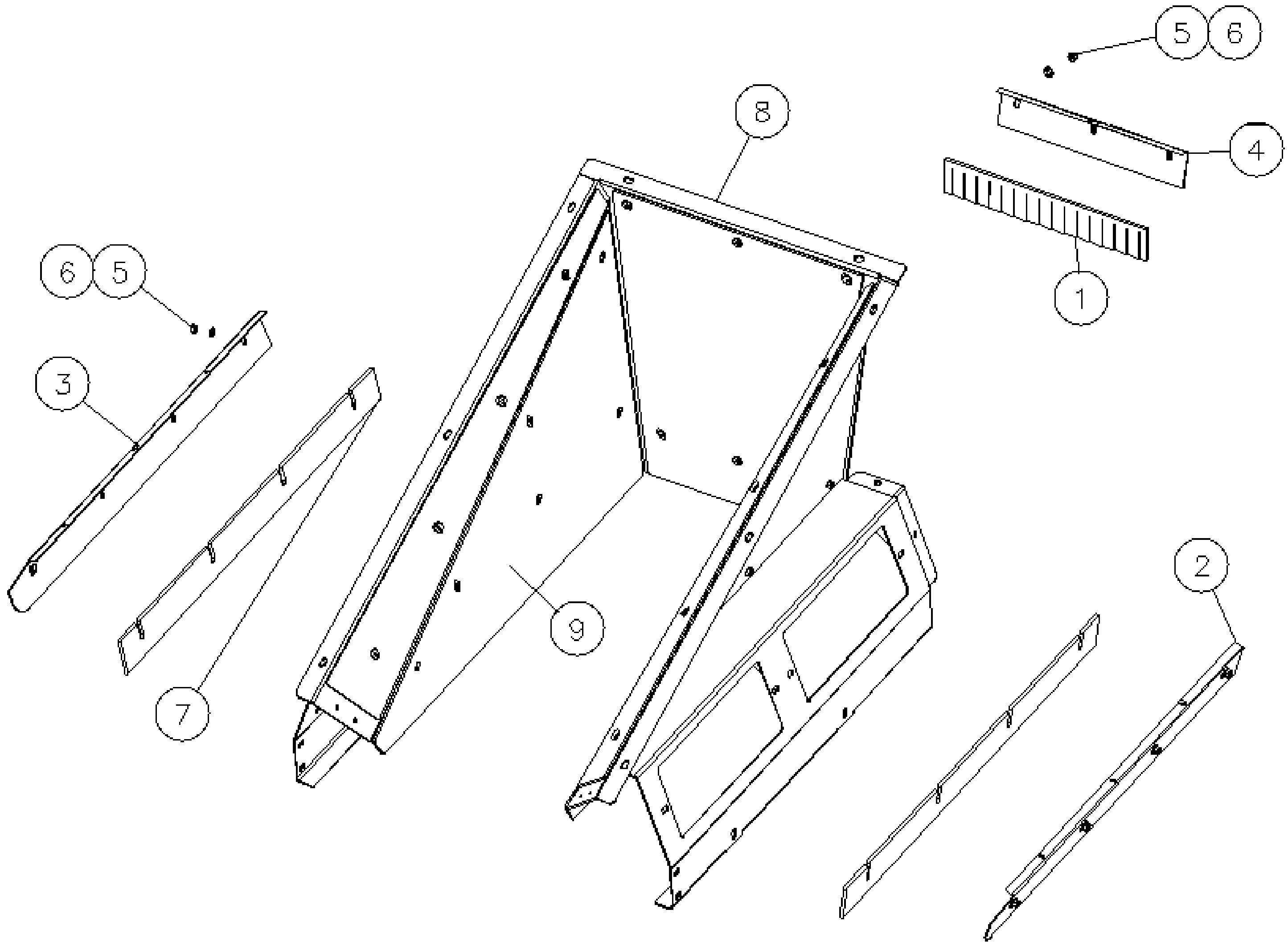
Pos.	Part No.	Description	Qty	Net Wght	Page
1	MM0242644	BEARING KIT	2	5.6	57
2	7001570012	NUT, SELF-LOCKING	4	0.01	
3	704006970000	PLAIN WASHER	4	0.01	
4	M09901	SUPPORT WELDING	2	1.5	
5	M11597	IDLER	1	59.0	



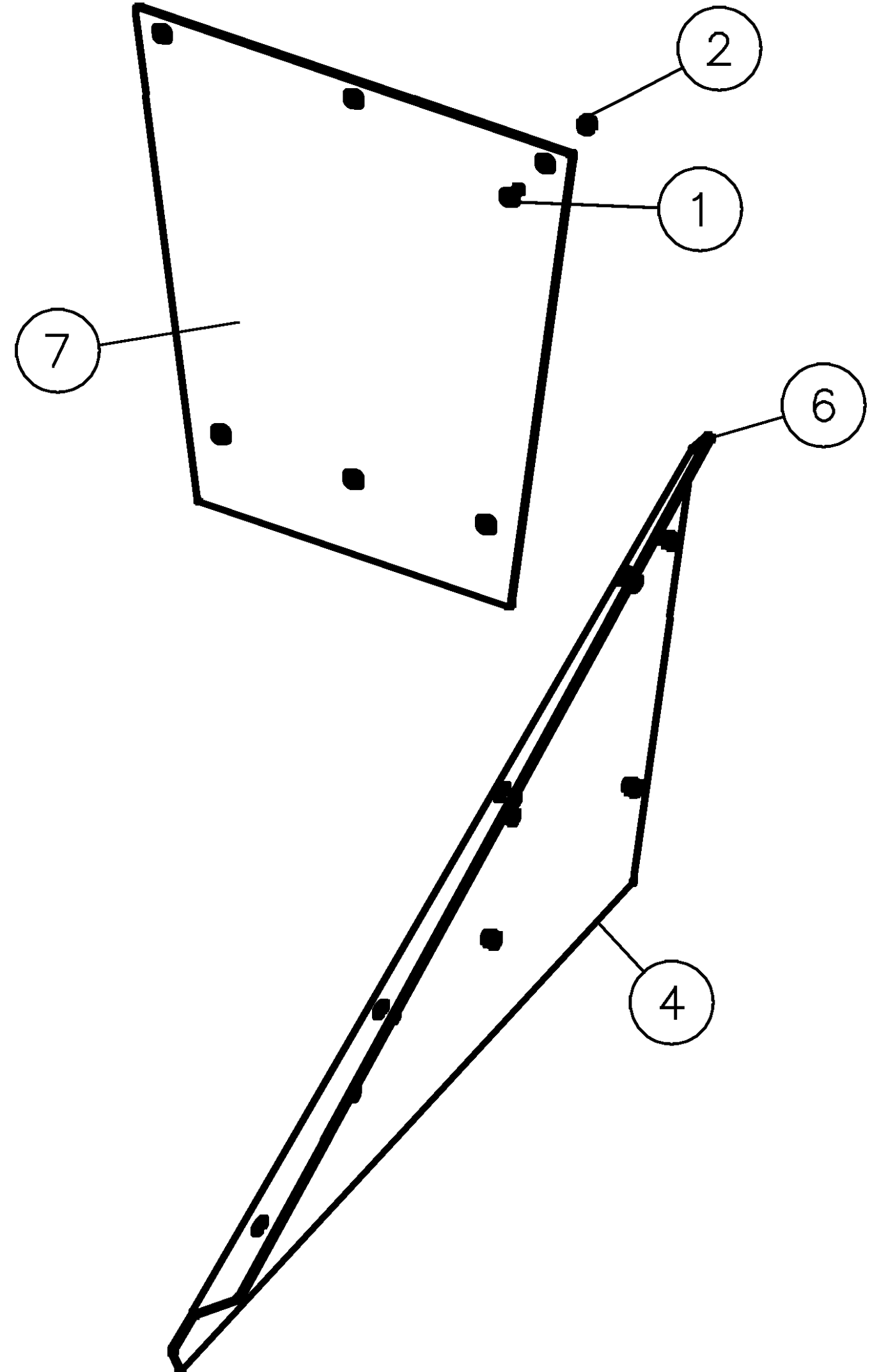
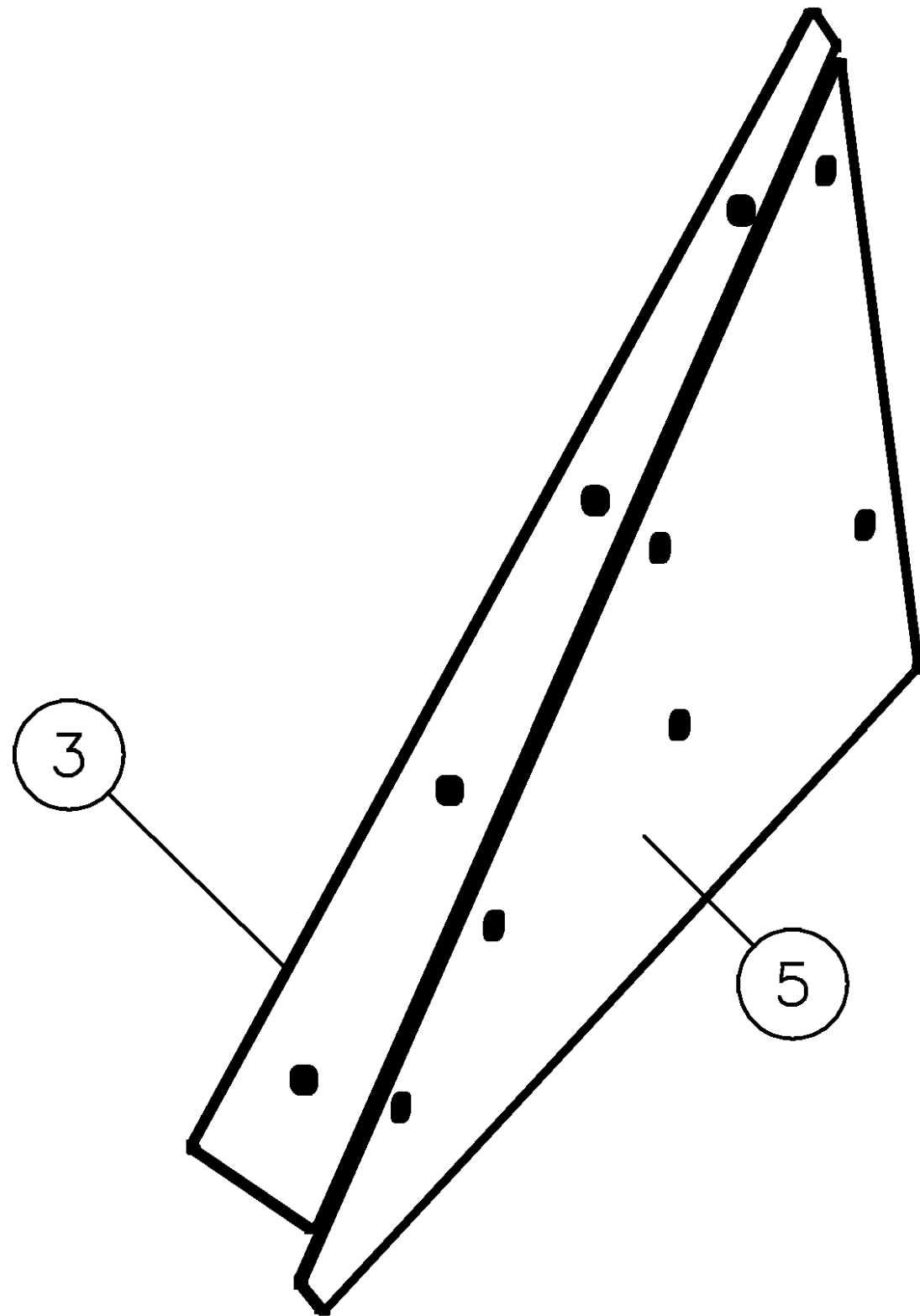
Pos.	Part No.	Description	Qty	Net Wght
1	MM0266193	BEARING UNIT	1	4
2	MM0242756	SEAL	1	0.01
3	MM0242794	HYDRAULIC FITTING	1	0.3



Pos.	Part No.	Description	Qty	Net Wght
1	N01606050	PARALLEL KEY	1	0.022
2	N03731813	BEARING HOUSING	2	3.75
*	704501635000	GREASE NIPPLE	1	0.01
3	N05530635	HYDRAULIC MOTOR	1	12.3
*	N05530744	SEAL KIT	1	0.05
4	N03460955	COUPLING ELEMENT	1	0.454
5	N03460954	COUPLING FLANGE	2	2.25
6	7001570012	NUT, SELF-LOCKING	4	0.01
7	704006970000	PLAIN WASHER	8	0.01
8	N01530137	BOLT, HEXAGONAL	4	0.016
9	N01530204	SCREW, HEXAGONAL	4	0.05
10	N01530330	BOLT, HEXAGONAL	4	0.202
11	N01530313	BOLT, HEXAGONAL	8	0.11
12	N01570210	NUT, SELF-LOCKING	4	0.0051
13	N01570216	NUT, HEXAGONAL	20	.196
14	N01626516	PLAIN WASHER	32	0.012
15	M08536	MOTOR BRACKET	1	4.23
16	M08537	GUARD	2	0.67
17	N03239113	TAPERED SLEEVE	1	0.41
18	N03239114	TAPERED SLEEVE	1	0.227
19	M11602	DRIVE DRUM WELDING	1	70

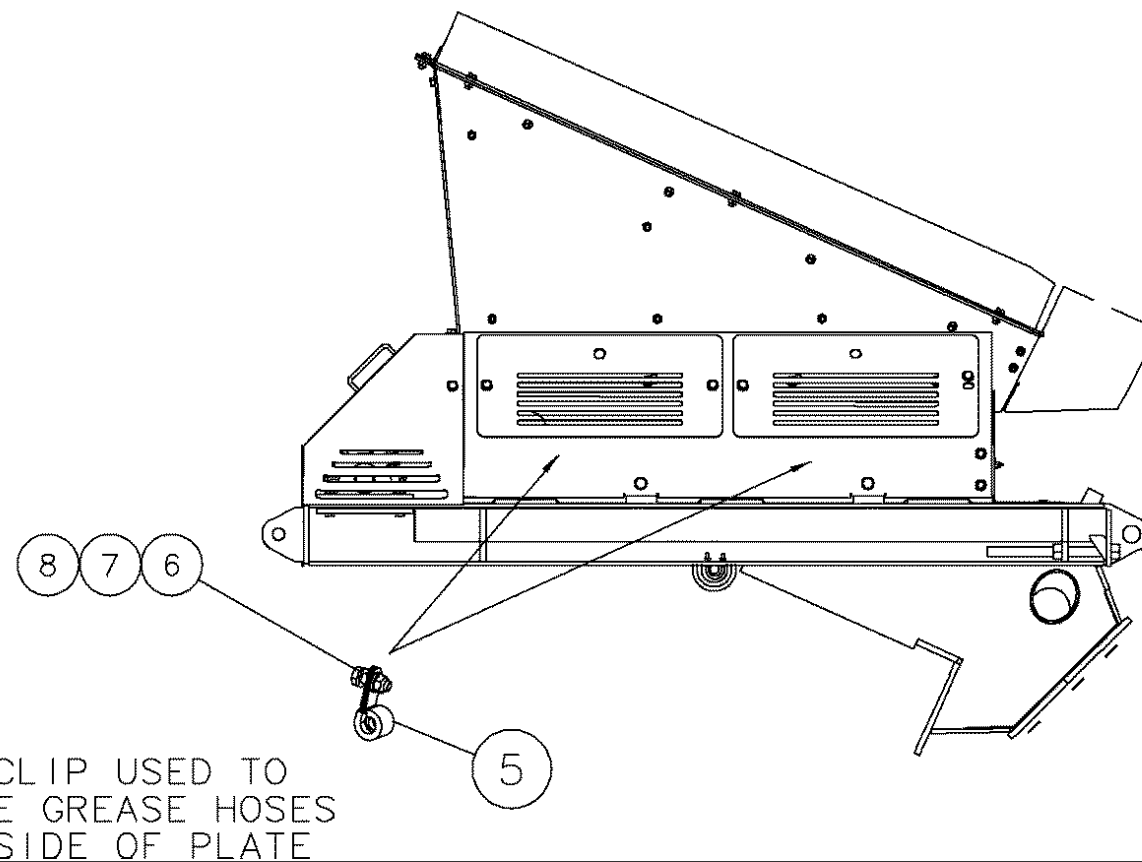
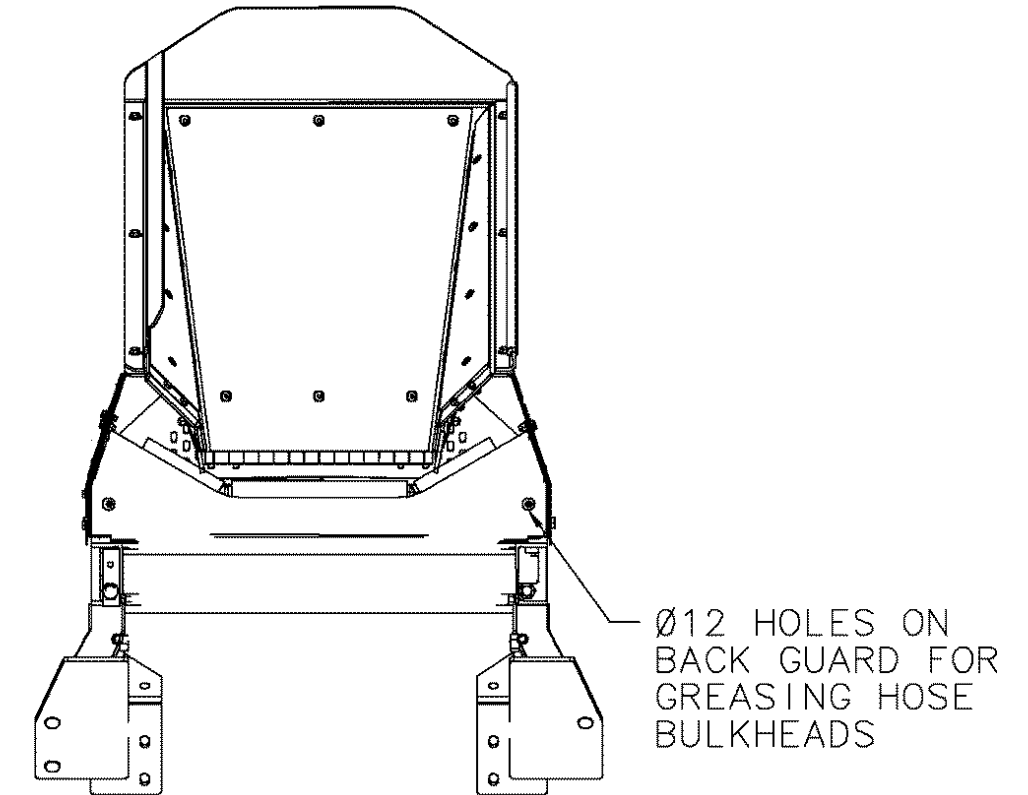
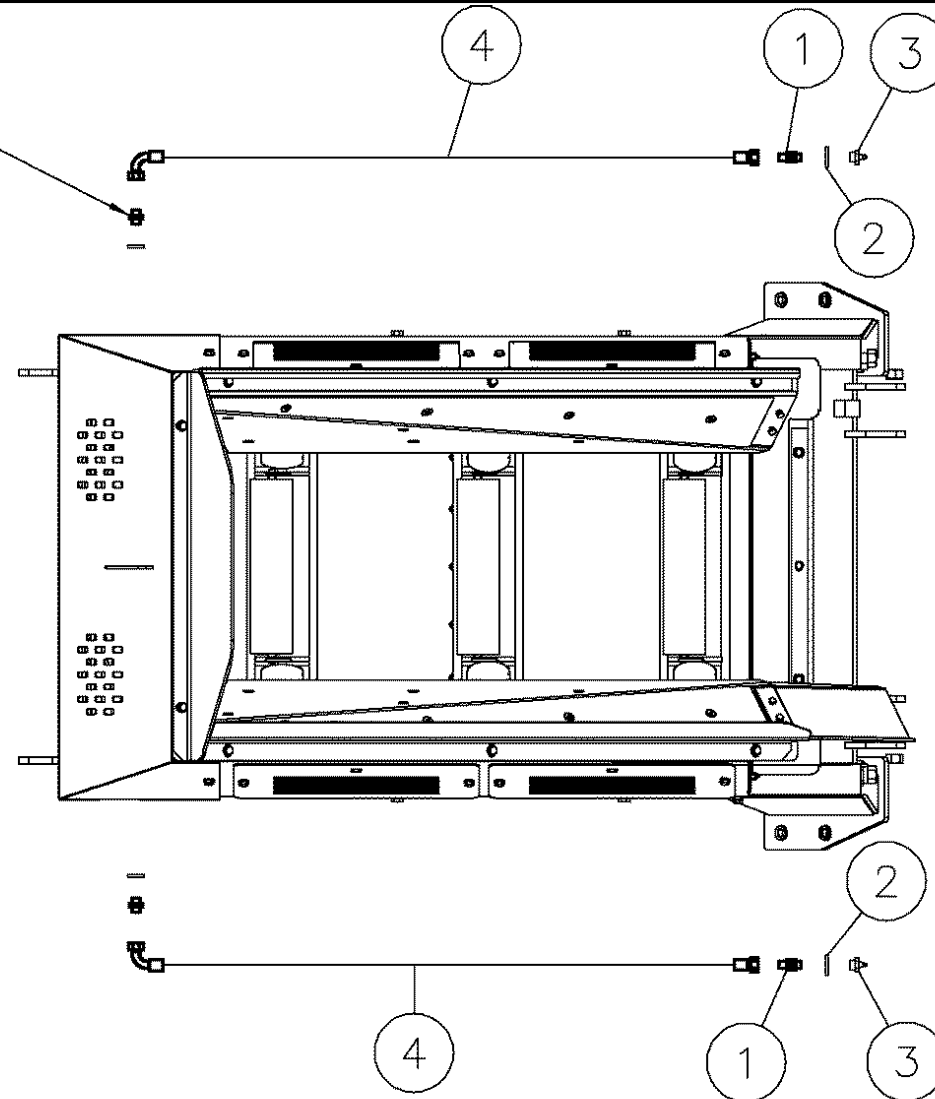


Pos.	Part No.	Description	Qty	Net Wght	Page
1	M11611	RUBBER	1	0.53	
2	M01886-1	PLATE	1	3.56	
3	M02803-1	PLATE	1	3.56	
4	M11612	CLAMP	1	1.61	
5	7001570012	NUT, SELF-LOCKING	10	0.01	
6	704006970000	PLAIN WASHER	10	0.01	
7	M01885-1	WEAR RUBBER	2	1.15	
8	M11610	FRAME WELDING ASSEMBLY	1	109	
9	M11609	WEAR PLATE INSTALLATION	1	94	60

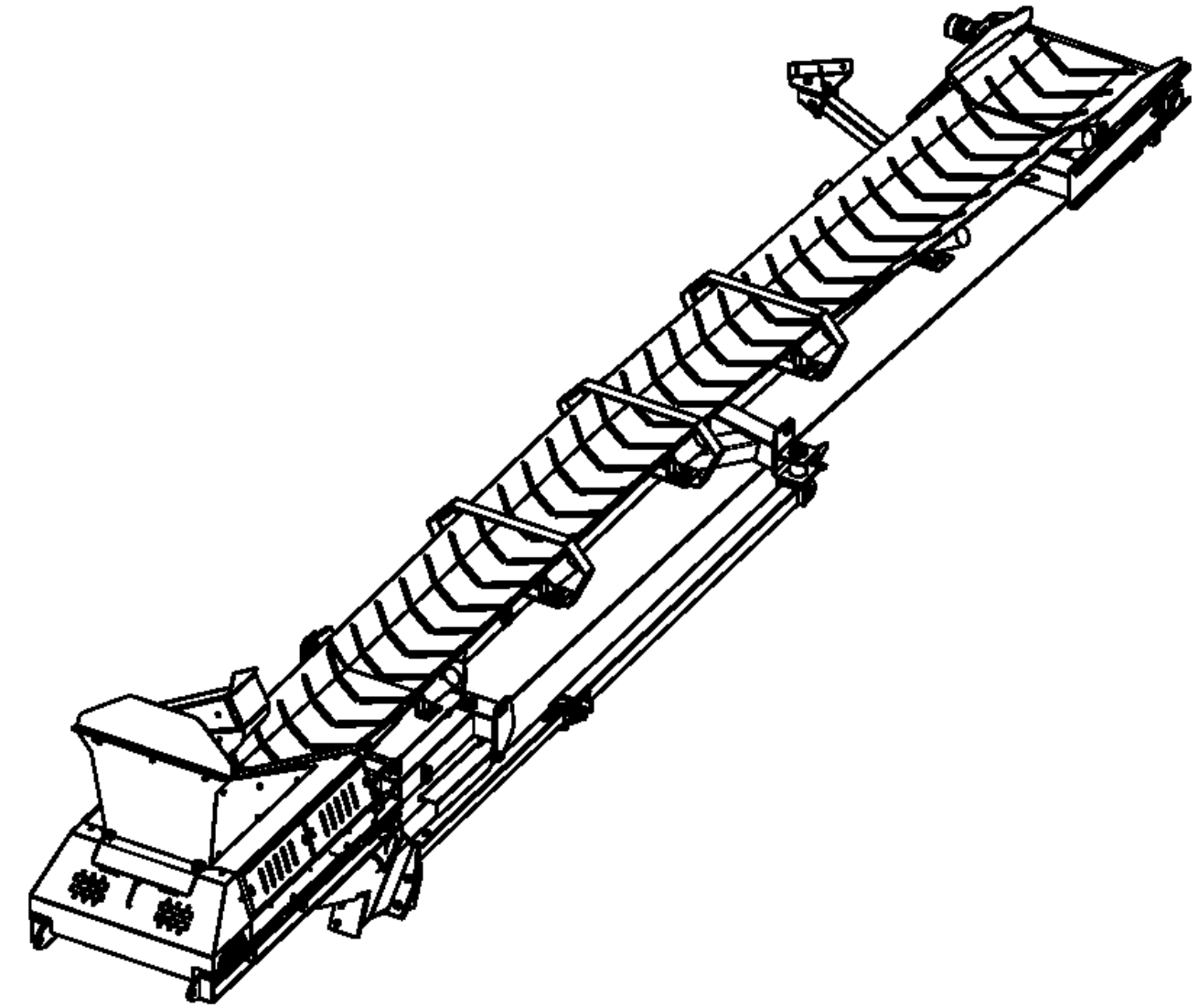
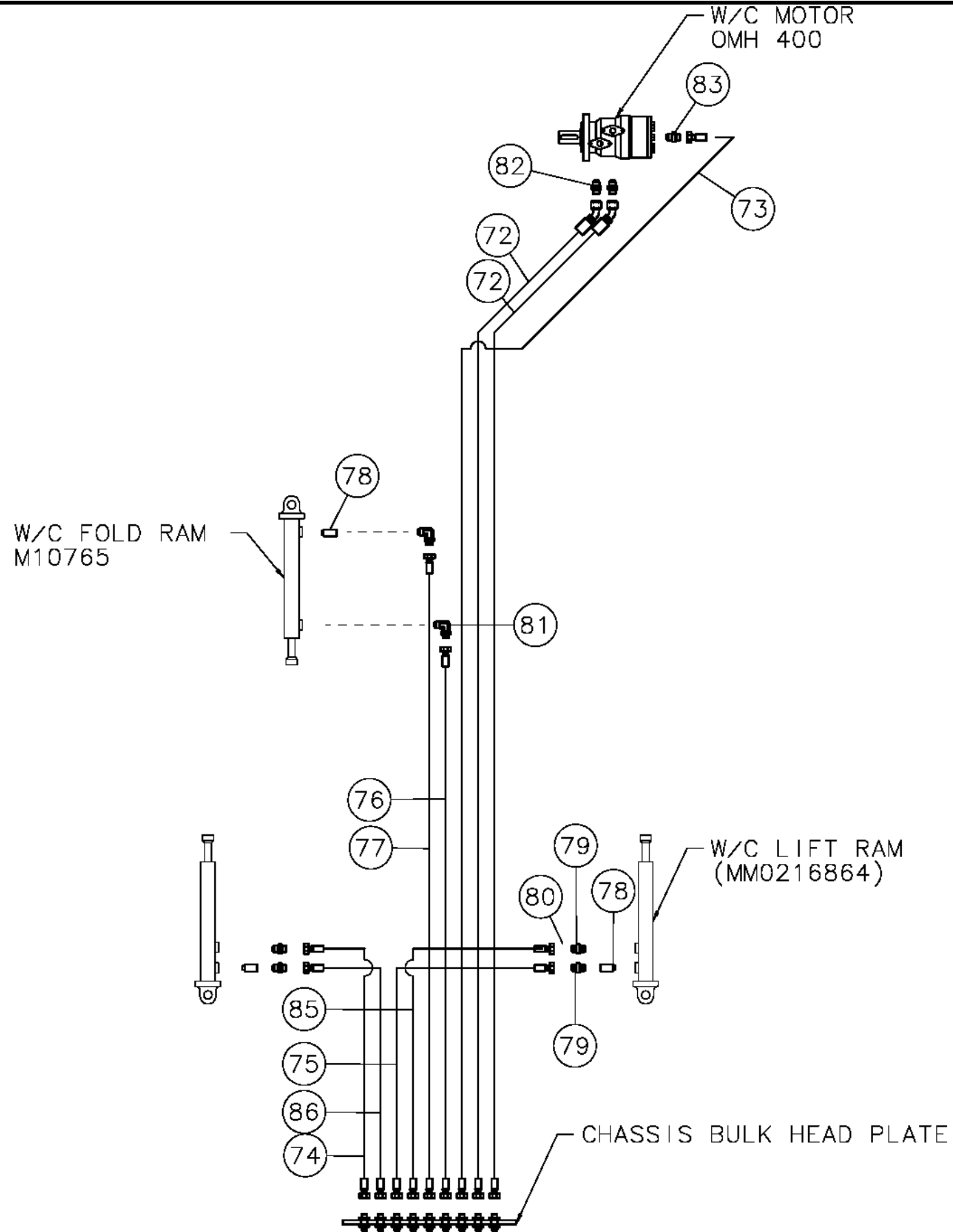


Pos.	Part No.	Description	Qty	Net Wght
1	7001550107	SCREW, HEXAGON SOCKET COUNTERSUNK HEAD	26	0.02
2	7001570012	NUT, SELF-LOCKING	26	0.01
3	M09750	PLATE	1	7.8
4	M09819	PLATE	1	26
5	M09748	PLATE	1	26
6	M09820	PLATE	1	7.8
7	M11613	WEAR PLATE	1	25

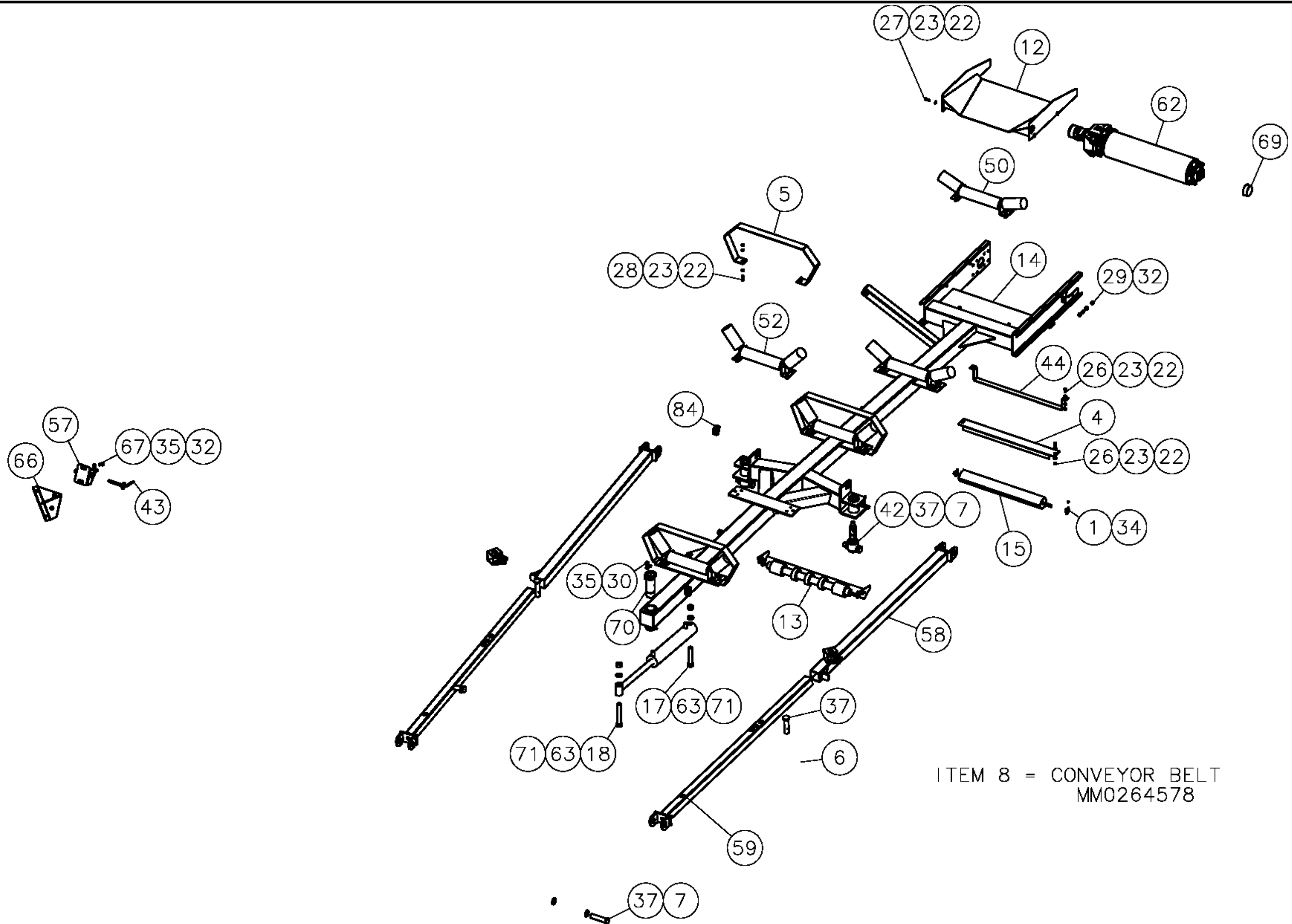
HOSES CONNECTED TO TAIL
DRUM BEARINGS, FITTINGS
SHOULD ALREADY BE FITTED
TO BEARINGS SEE DRAWING
MM0242644 BEARING KIT
RUN HOSES UP THE INSIDE OF
CONV UP UNTIL THE BULKHEADS
ON BACK GUARD

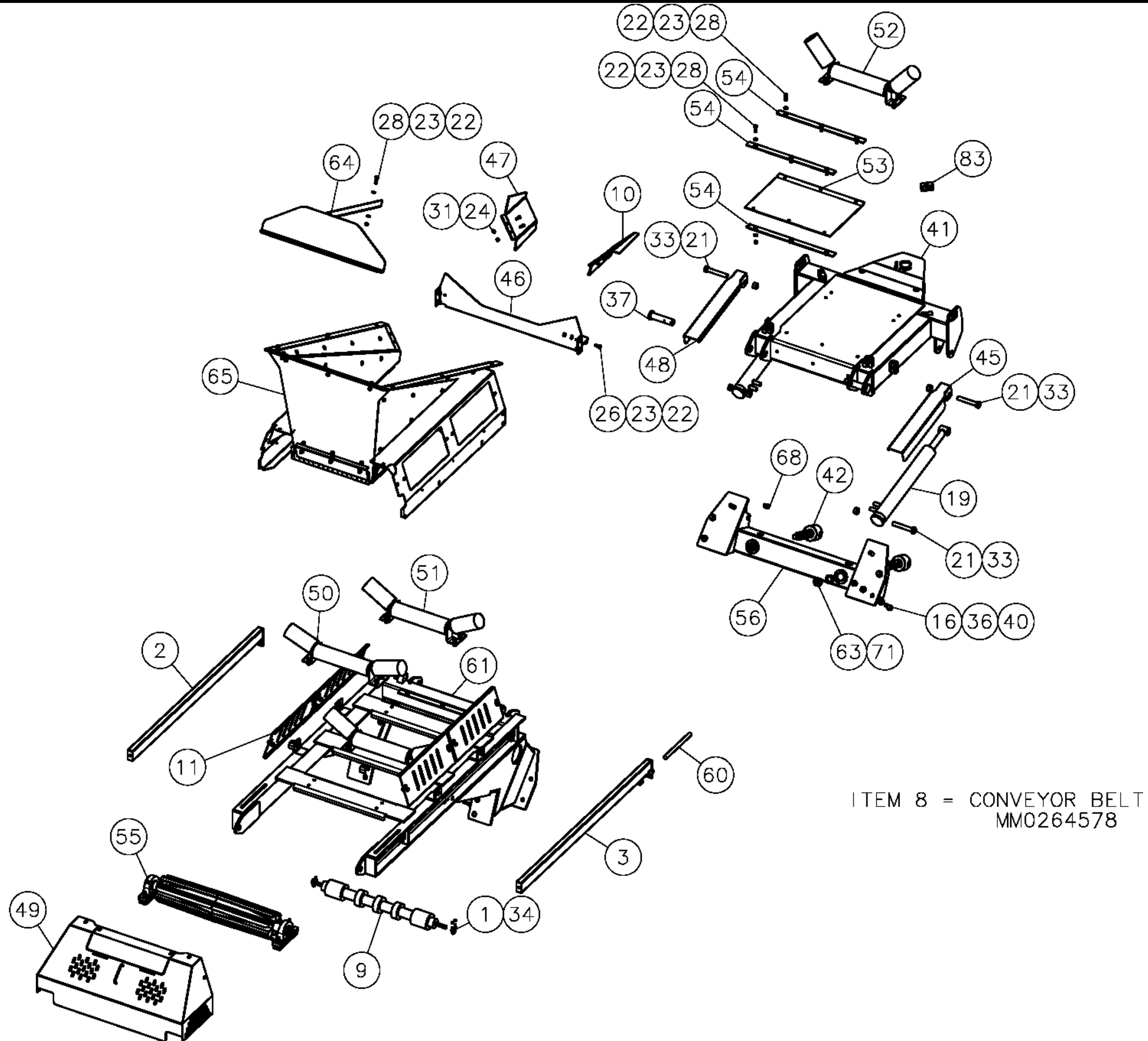


Pos.	Part No.	Description	Qty	Net Wght
1	MM0242793	HYDRAULIC FITTING	2	
2	N02125889	WIRE MARKER	2	
3	N02122100	GREASE NIPPLE	2	0.008
4	MM0241225	GREASE HOSE	2	.37
5	MM0282663	HOSE FASTENER	6	0.025
6	N01530056	SCREW, HEXAGONAL	6	0.01
7	704203927060	NUT, SELF-LOCKING	6	0.01
8	N01626506	PLAIN WASHER	12	.01



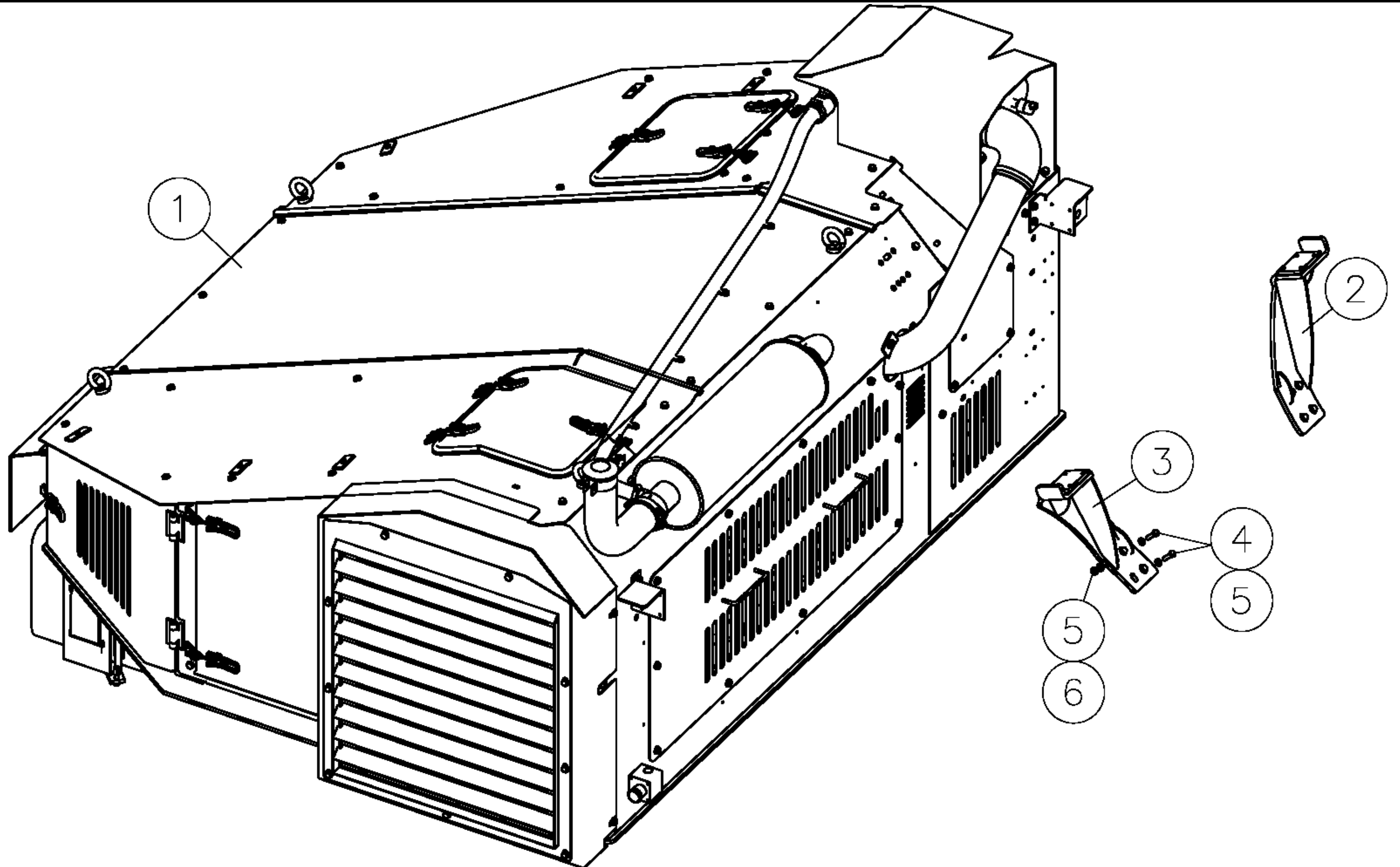
*NB: WEIGHT GIVEN IS TAKEN FROM THE MODEL AND DOES NOT INCLUDE CERTAIN PURCHASED PARTS E.G MOTOR, RAMS, ROLLERS



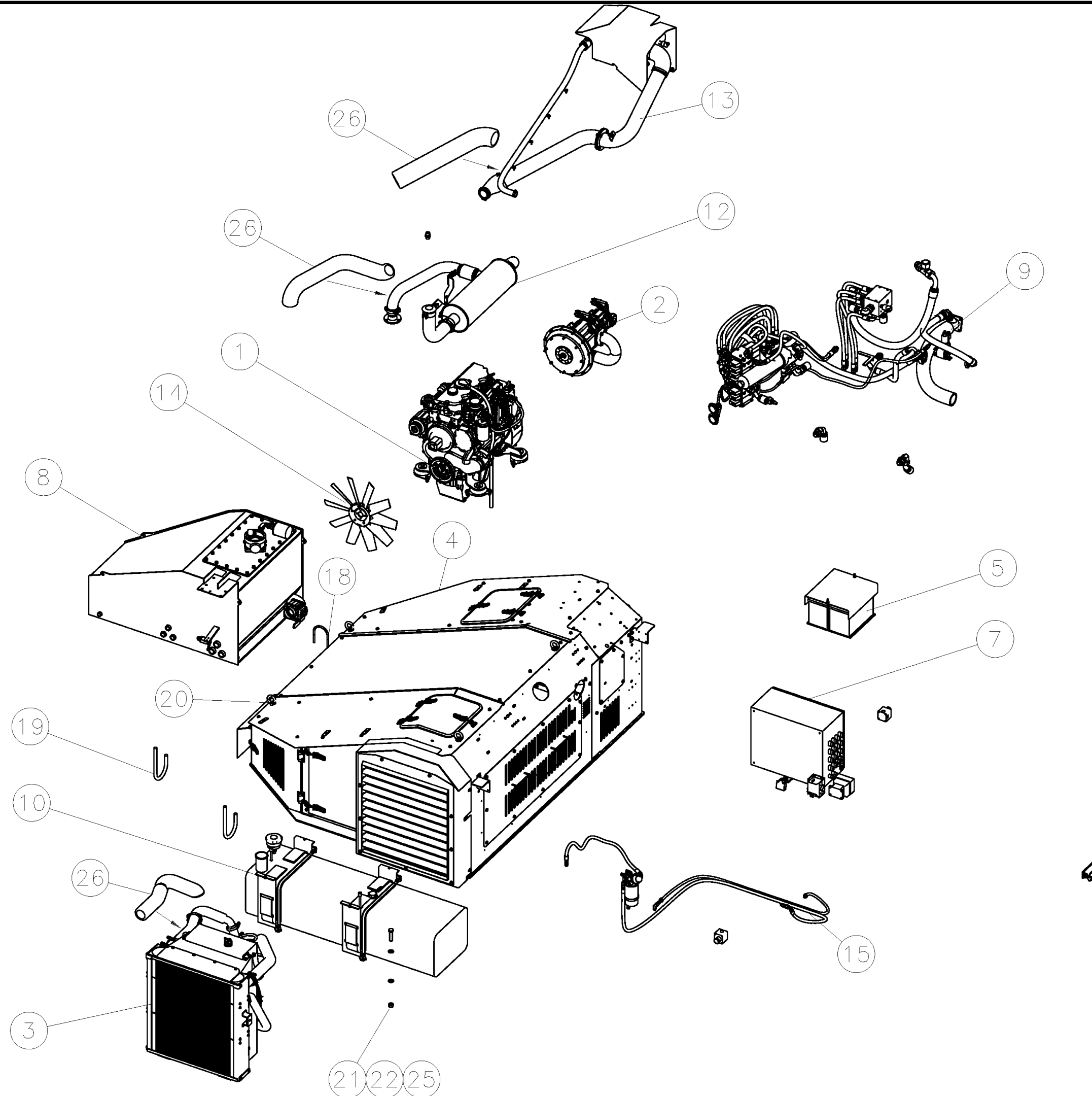


Pos.	Part No.	Description	Qty	Net Wght	Page
1	N01841013	U-BOLT	4	0.05	
2	M09783	ADJUSTMENT ROD	1	11.8	
3	M11465	ADJUSTMENT ROD	1	11.8	
4	M11571	PLATE	1	3.28	
5	M11572	PLATE	3	6.2	
6	M09868	BRACKET	2	2.8	
7	M09871	SPACER	8	0.1	
8	MM0264578	CONVEYOR BELT, ENDLESS	1	191	
9	MM0264890	RETURN ROLLER	1	16	
10	M09885	EXTENSION PART	1	4	
11	MM0316945	PROTECTION INSTALLATION	1	2163.2	49
12	M11589	BELT GUARD	1	29	
13	MM0268523	RETURN ROLLER	1	3.85	50
14	MM0322257	HEAD ASSEMBLY	1	381.38	
15	M11635	ROLLER ASSEMBLY	1	13.0	
16	N01530001	BOLT, HEXAGONAL	8	0.216	
17	N01530632	BOLT, HEXAGONAL	1	1.2	
18	7001530636	SCREW, HEXAGONAL	1	1.6	
19	MM0237388	HYDRAULIC CYLINDER	2	16	52
20	MM0237496	HYDRAULIC CYLINDER	1	29.8	51
21	N01530540	BOLT, HEXAGONAL	4	0.63	
22	7001570012	NUT, SELF-LOCKING	46	0.01	
23	704006970000	PLAIN WASHER	91	0.01	
24	N01530136	SCREW, HEXAGONAL	4	0.02	
26	N01530194	SCREW, HEXAGONAL	16	0.037	
27	N01530197	BOLT, HEXAGONAL	4	0.05	
28	N01530199	BOLT, HEXAGONAL	8	0.05	
29	N01530321	BOLT, HEXAGONAL	2	0.139	
30	N01530306	SCREW, HEXAGONAL	1	0.077	
31	N01570210	NUT, SELF-LOCKING	4	0.0051	
32	N01570216	NUT, HEXAGONAL	10	.196	
33	N01565003	NUT, HEXAGONAL	6	0.094	
34	704203927080	NUT, SELF-LOCKING	8	0.0056	
35	N01626516	PLAIN WASHER	13	0.012	
36	N01626520	PLAIN WASHER	10	0.017	
37	M09771	JOINT PIN	8	1.8	
38	M09770	JOINT PIN	1	7.6	
39	704203927300	NUT, SELF-LOCKING	6	0.22	
40	N01570220	JAM NUT, HEXAGONAL	8	0.06	
41	M11593	MIDDLE FRAME	1	182.8	
42	M09657	PIN	4	7.6	
43	M04849-09	PIN	1	0.634	
44	M11574	PLATE	1	1.9	
45	N11904032	GUARD	1	3.3	
46	M11573	PLATE	1	7	
47	N11904041	PLATE	1	4.3	
48	N11904031	GUARD	1	3.3	
49	MM0263126	GUARD	1	26	
50	MM0267853	ROLLER ASSEMBLY	1	13	53
51	MM0267854	ROLLER ASSEMBLY	4	13	54
52	MM0267855	ROLLER ASSEMBLY	4	13	55
53	M11575	PLATE	1	14.6	
54	M11576	PLATE	2	1.2	
55	M11596	PULLEY INSTALLATION	1	72	56
56	M11598	SUPPORT WELDING	1	82.76	
57	M11645	SUPPORT ASSEMBLY	1	3.7	
58	M09663	SUPPORT WELDING	2	42.07	
59	MM0322300	SUPPORT WELDING	2	35.38	
60	M01870-1	SCREW, ADJUSTING	2	1.25	
61	M11600	FRAME	1	256	
62	M11601	DRIVE DRUM ASSEMBLY	1	81	58
63	N01626530	PLAIN WASHER	6	0.05	
64	M11629	EXTENSION	1	17	
65	M11608	HOPPER	1	210.94	59
66	M11697	BRACKET	1	3.96	
67	N01530313	BOLT, HEXAGONAL	2	0.11	
68	MM0283475	PLUG, PLASTIC	2		
69	MM0275780	END COVER	1	0.045	
70	MM0267469	HINGE PIN	1	8.40	
71	704203927300	NUT, SELF-LOCKING	6	0.22	
72	N44460627	HYDRAULIC HOSE	2	7.91	
73	N44460630	HYDRAULIC HOSE	1	5.11	
74	N44460584	HYDRAULIC HOSE	1	0.69	
75	MM0234900	HYDRAULIC HOSE	1	0.76	
76	N44460631	HYDRAULIC HOSE	1	2.0	
77	N44460632	HYDRAULIC HOSE	1	2.19	
78	N02456150	HOSE BURST VALVE	3	0.02	

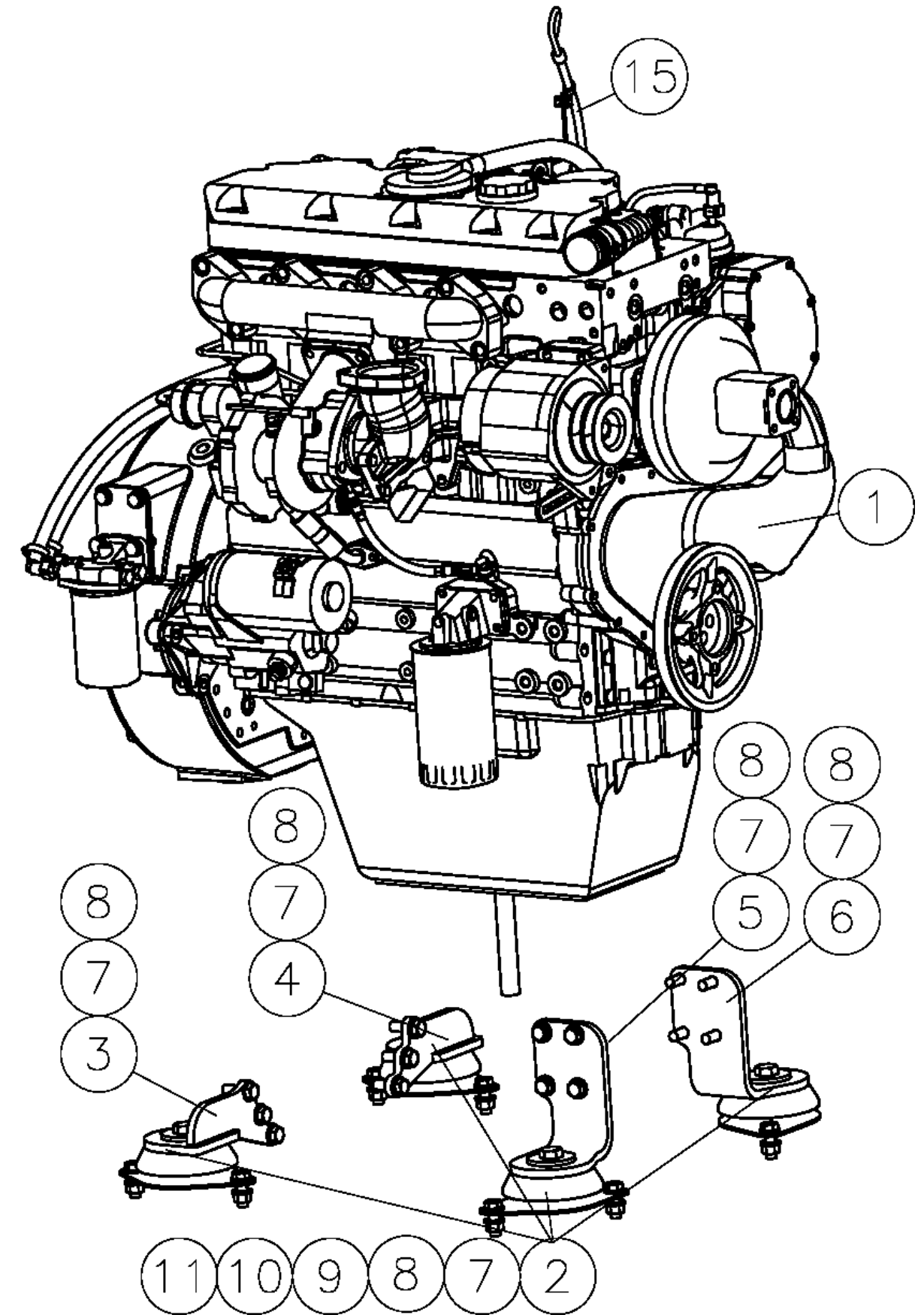
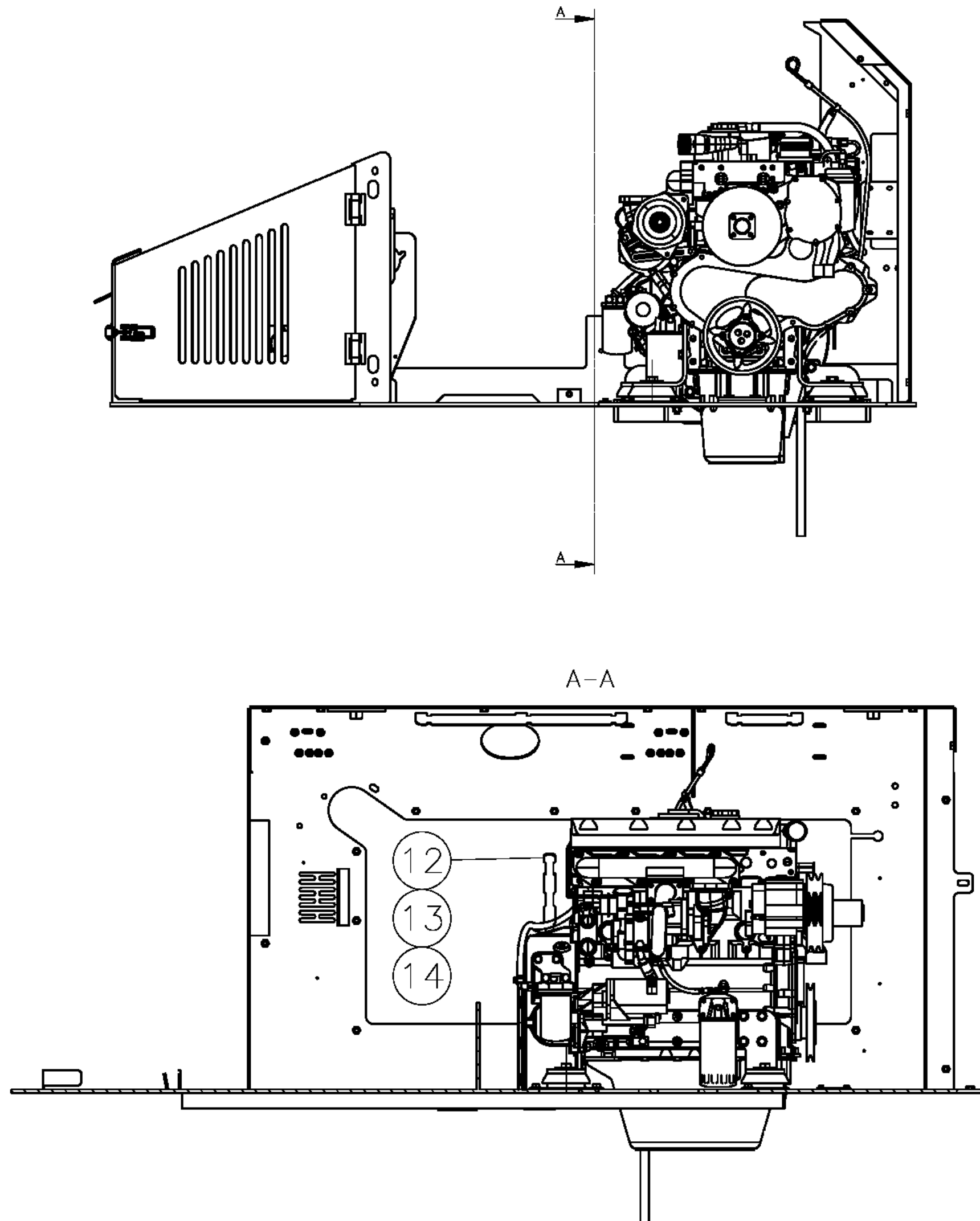
Pos.	Part No.	Description	Qty	Net Wght	Page
79	706300790065	CONNECTION	4	0.103	
81	706300790010	CONNECTION	2	0.164	
82	706300790069	CONNECTION	2	0.11	
83	N02405458	STUD FITTING, MALE, STRAIGHT	1	0.11	
84	N02118829	FASTENER PAIR	10	0.2	
85	MM0234900	HYDRAULIC HOSE	1	0.76	
86	N44460584	HYDRAULIC HOSE	1	0.69	
87	MM0243240	GREASING CONTROLLER	1	3	61



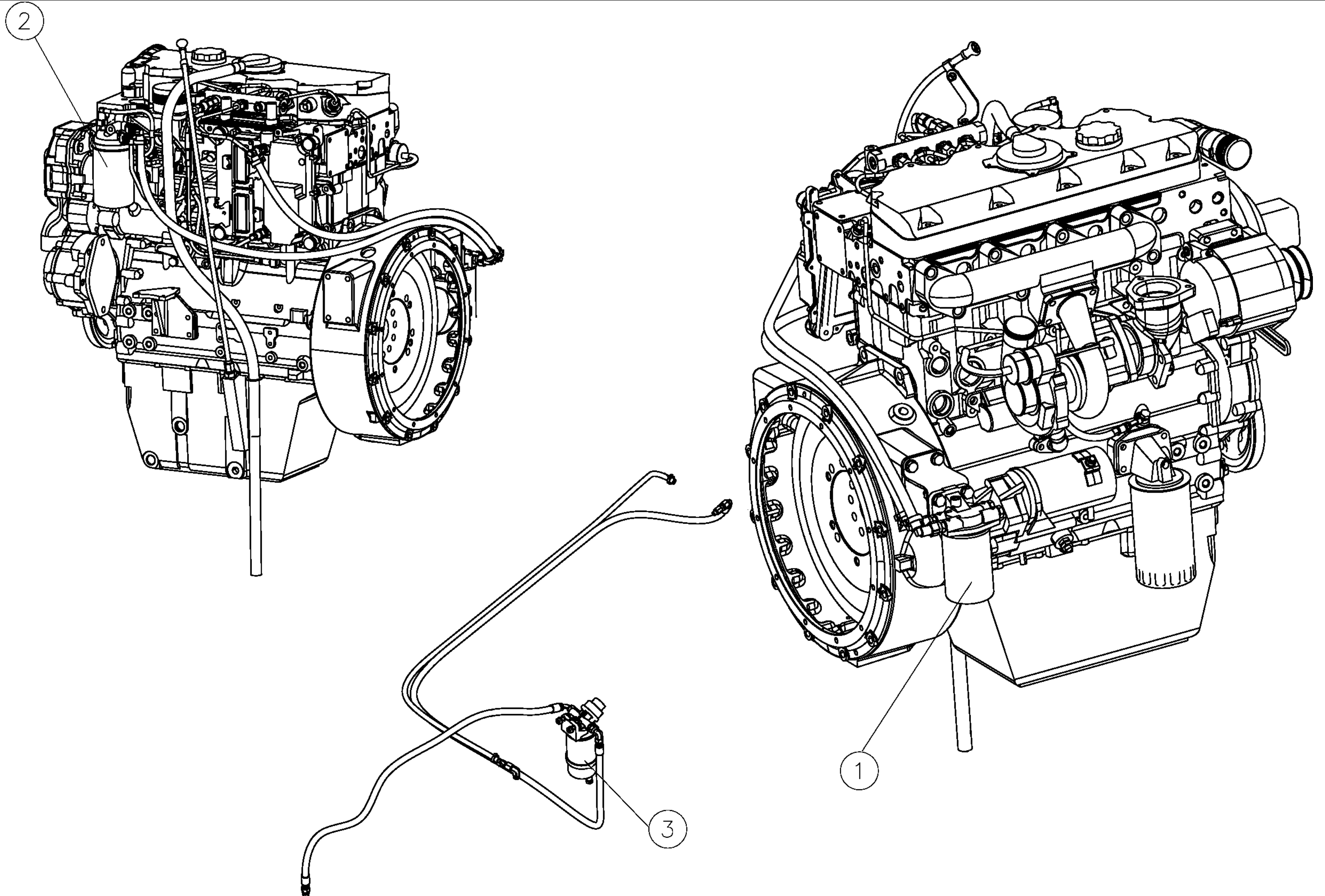
Pos.	Part No.	Description	Qty	Net Wght	Page
1	MM0296603	ENGINE MODULE	1	1700	64
2	M09960	BRACKET ASSEMBLY	1	7.3	
3	M09959	BRACKET ASSEMBLY	1	7.3	
4	N01626510	PLAIN WASHER	10	0.1	
5	N01530140	SCREW, HEXAGONAL	8	0.03	
6	N01570210	NUT, SELF-LOCKING	2	0.0051	



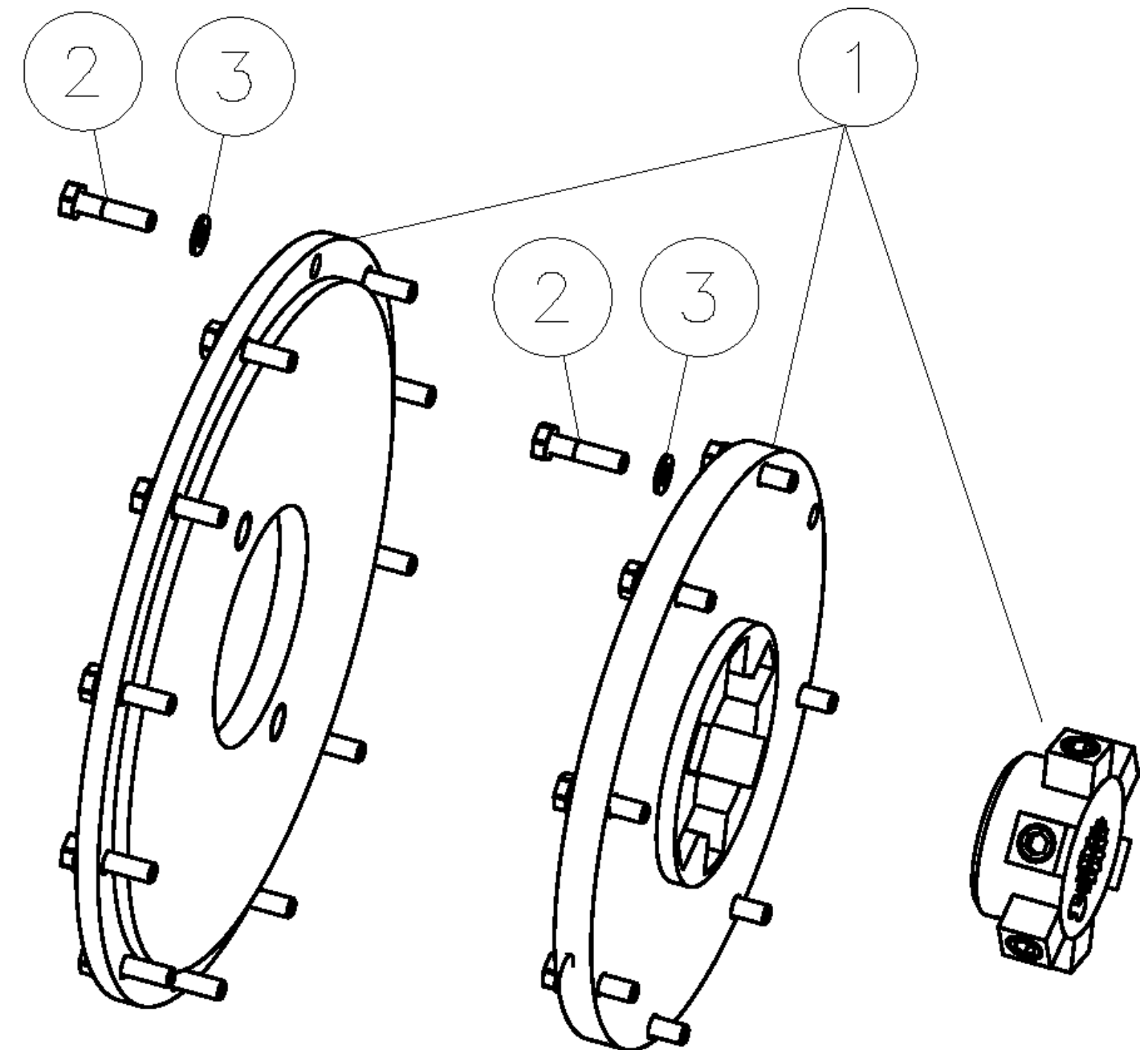
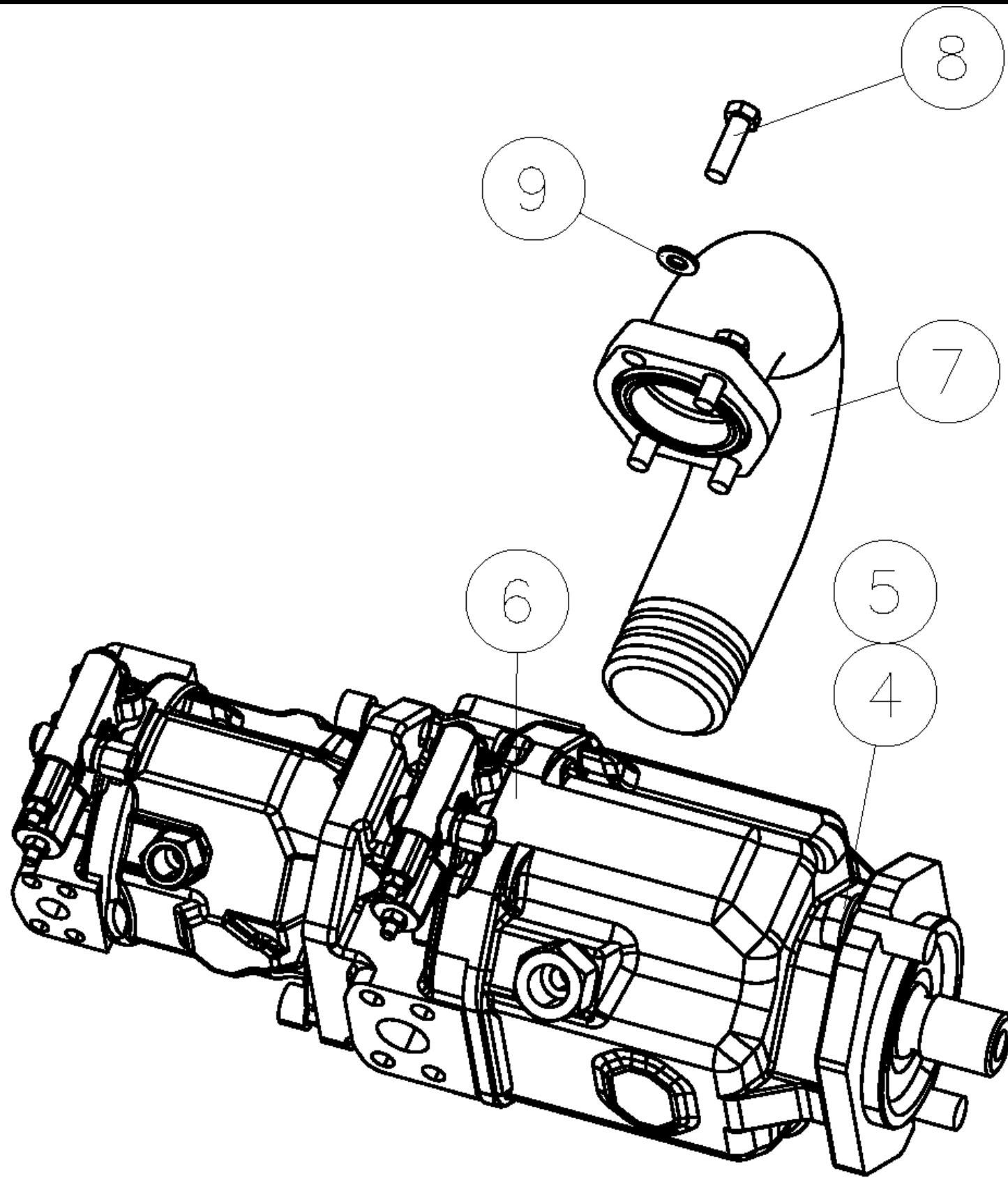
Pos.	Part No.	Description	Qty	Net Wght	Page
1	MM0296604	ENGINE INSTALLATION	1	373.23	65
2	MM0279784	COUPLING AND PUMP INSTALLATION	1	80	67
3	MM0278990	COOLER INSTALLATION	1	79.0	69
4	MM0279900	COVER ASSEMBLY	1	753.6	71
5	MM0279721	BATTERY INSTALLATION	1	63.4	76
7	MM0321431	ELECTRIFICATION	1		77
8	M08937	HYDRAULIC OIL TANK	1	161.77	82
9	MM0313877	PIPING, HYDRAULIC	1	117.6	84
10	MM0237241	TANK MODULE	1	87.43	89
12	MM0292087	EXHAUST PIPE INSTALLATION	1	18.23	90
13	MM0280000	AIR FILTER INSTALLATION	1	26.42	91
14	MM0282218	FAN	1	2.04	
15	MM0295052	PIPING, ENGINE MODULE	1	4.07	92
18	MM0219221	U-BOLT	1	0.186	
19	M10869	U-BOLT	3	1.24	
20	704102160000	EYE BOLT	4	0.44	
21	N01570220	JAM NUT, HEXAGONAL	6	0.06	
22	N01530427	BOLT, HEXAGONAL	6	0.231	
25	N01626520	PLAIN WASHER	12	0.017	
26	MM0296324	INSULATION PLATE	3		
27	MM0317394	COVER ASSEMBLY	1	3.08	



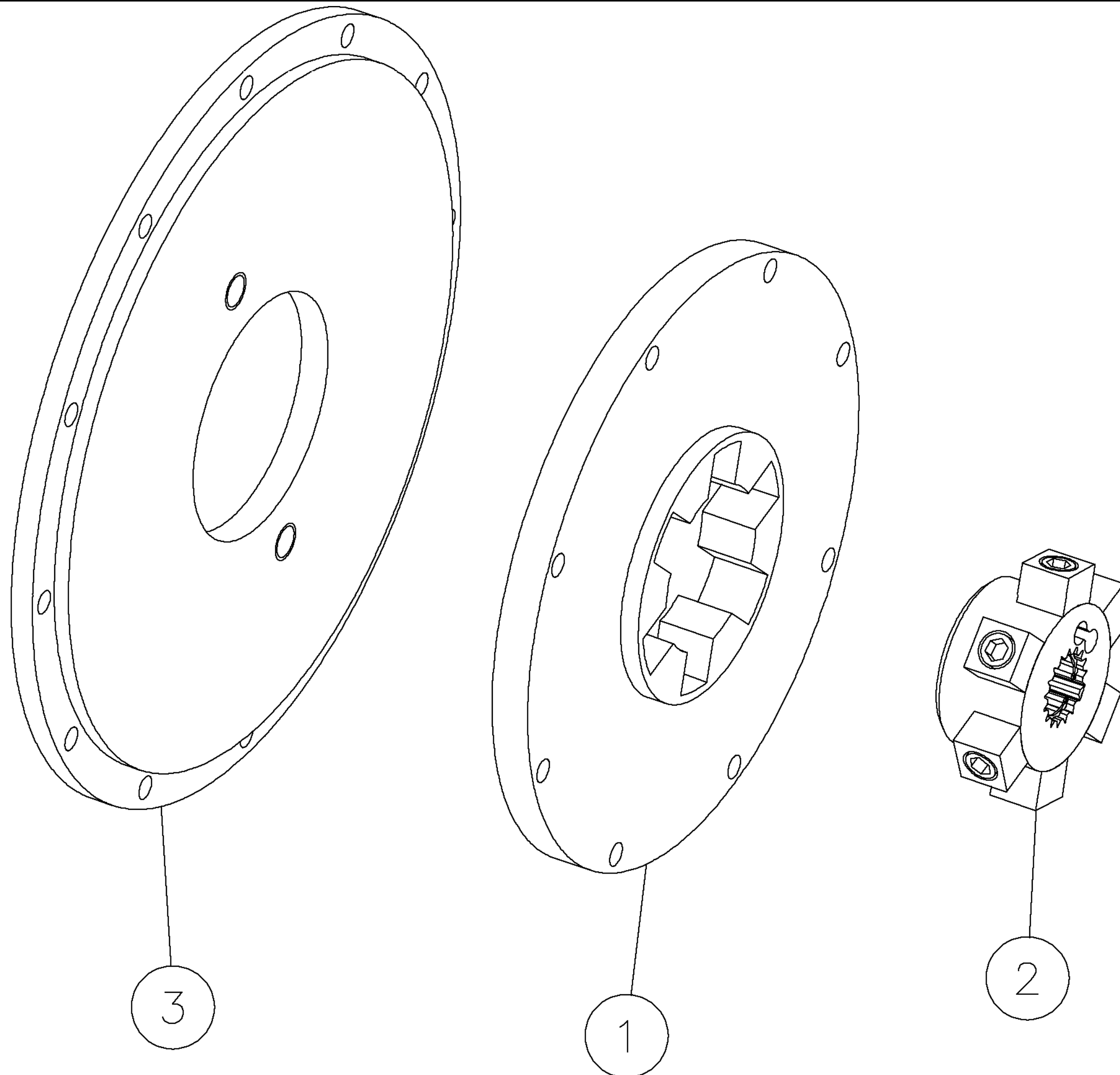
Pos.	Part No.	Description	Qty	Net Wght	Page
1	MM0296578	DIESEL ENGINE	1	360	66
2	804524	VIBRATION DAMPER	4	1.02	
3	MM0275715	SUPPORT FOOT	1	1.29	
4	MM0275716	SUPPORT FOOT	1	1.29	
5	MM0275710	SUPPORT FOOT	1	1.8	
6	MM0275711	SUPPORT FOOT	1	1.8	
7	704006970000	PLAIN WASHER	30	0.01	
8	N01530197	BOLT, HEXAGONAL	22	0.05	
9	7001570012	NUT, SELF-LOCKING	8	0.01	
10	N01623116	PLAIN WASHER	4	0.084	
11	7001530310	SCREW, HEXAGONAL	4	0.1	
12	MM0319668	PLATE	1	.68	
13	N01530136	SCREW, HEXAGONAL	2	0.02	
14	804006920000	PLAIN WASHER	2	0.01	
15	MM0324598	REPAIRING KIT	1		



Pos.	Part No.	Description	Qty	Net Wght
1	MM0300210	OIL FILTER	1	0.6
2	MM0246847	FILTER ELEMENT	2	0.55
3	MM0285276	FUEL FILTER	1	0.66



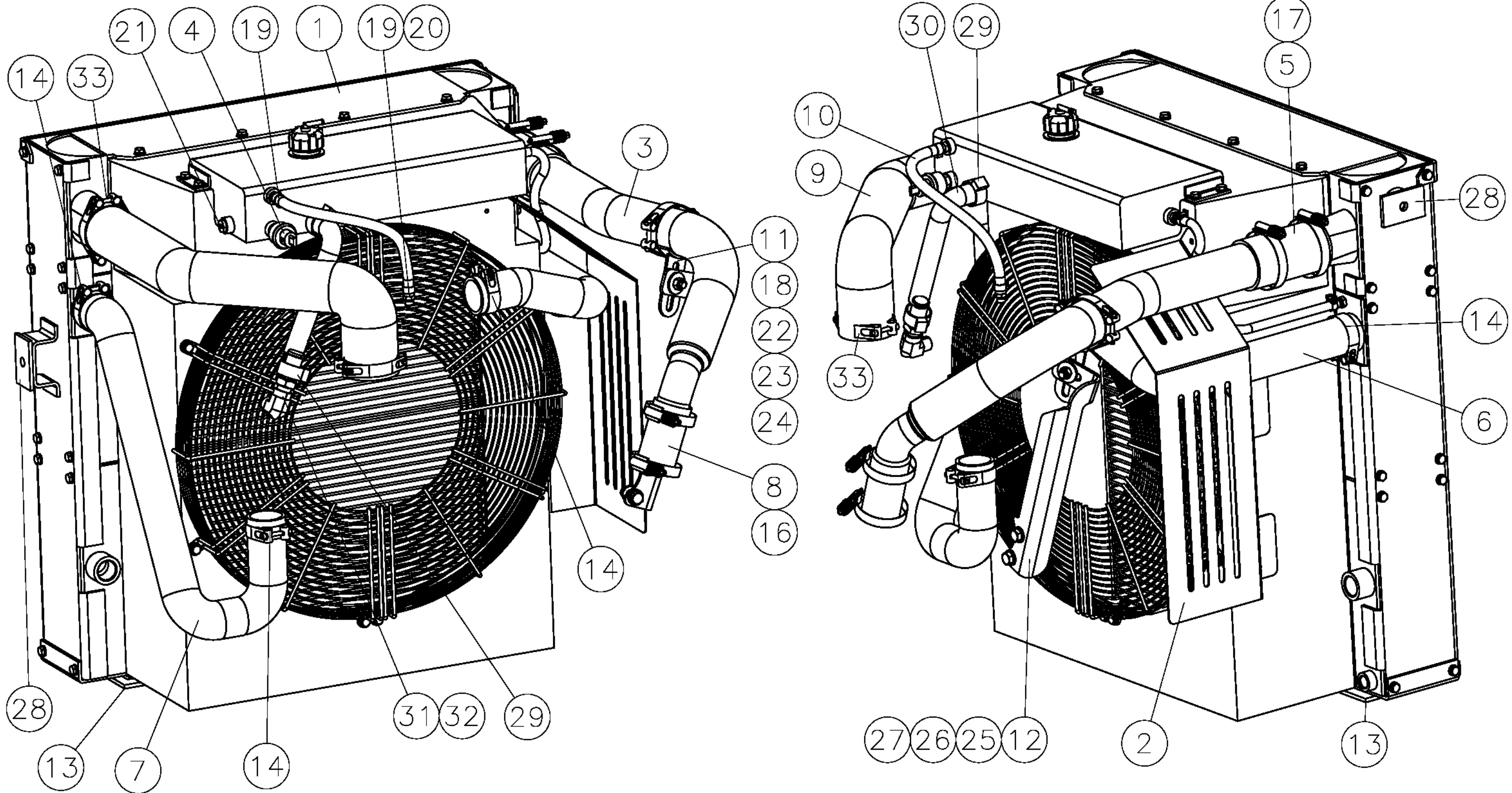
Pos.	Part No.	Description	Qty	Net Wght	Page
1	N03460963	COUPLING ASSEMBLY	1	16.11	68
2	N01530143	BOLT, HEXAGONAL	20	0.04	
3	N01626510	PLAIN WASHER	20	0.1	
4	N01530416	BOLT, HEXAGONAL	2	0.2	
5	N01626520	PLAIN WASHER	2	0.017	
6	MM0280286	HYDRAULIC PUMP	1	65	
7	MM0280602	SUCTION CONNECTION	1	3.6	
8	N01530199	BOLT, HEXAGONAL	4	0.05	
9	704006970000	PLAIN WASHER	4	0.01	





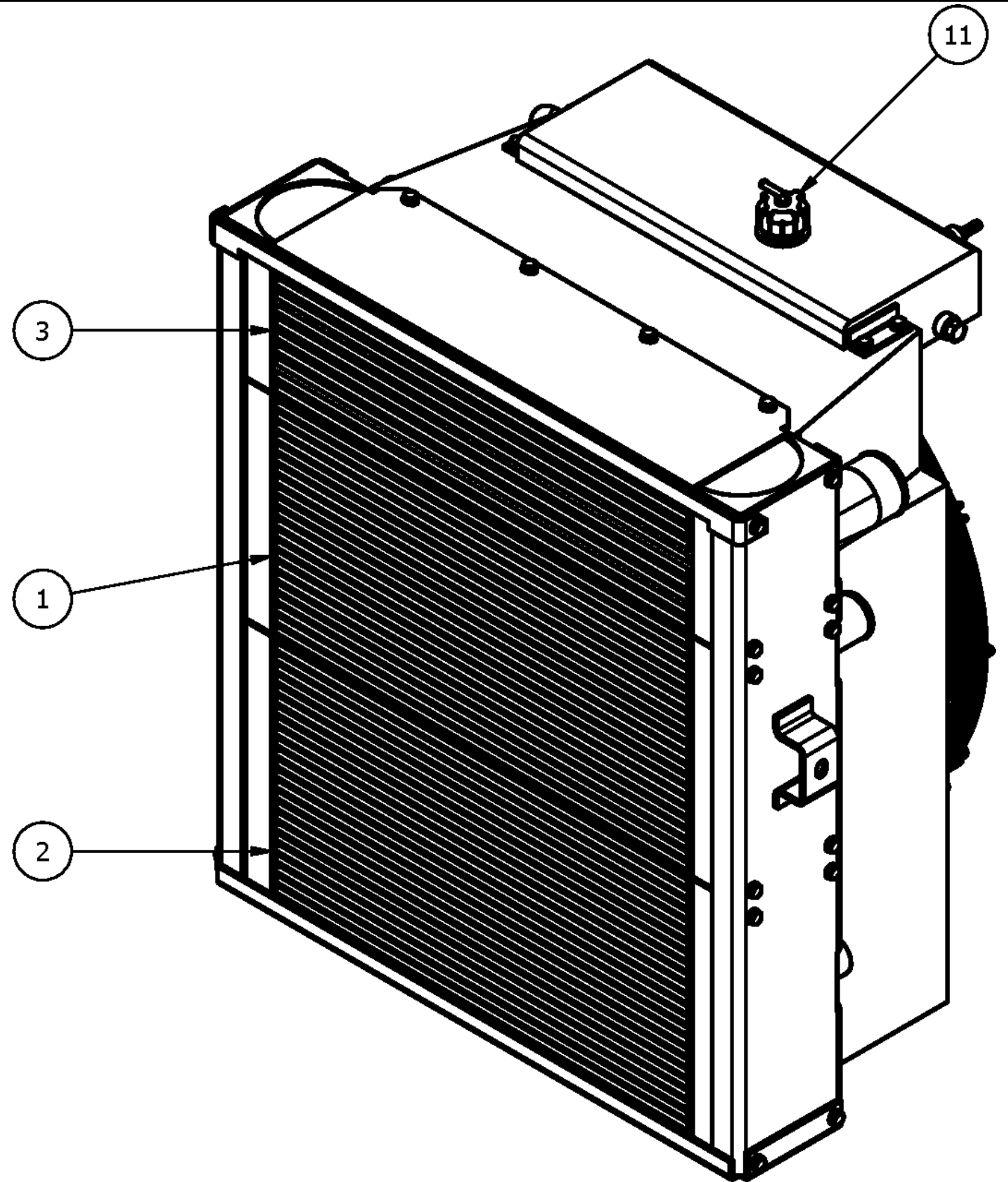
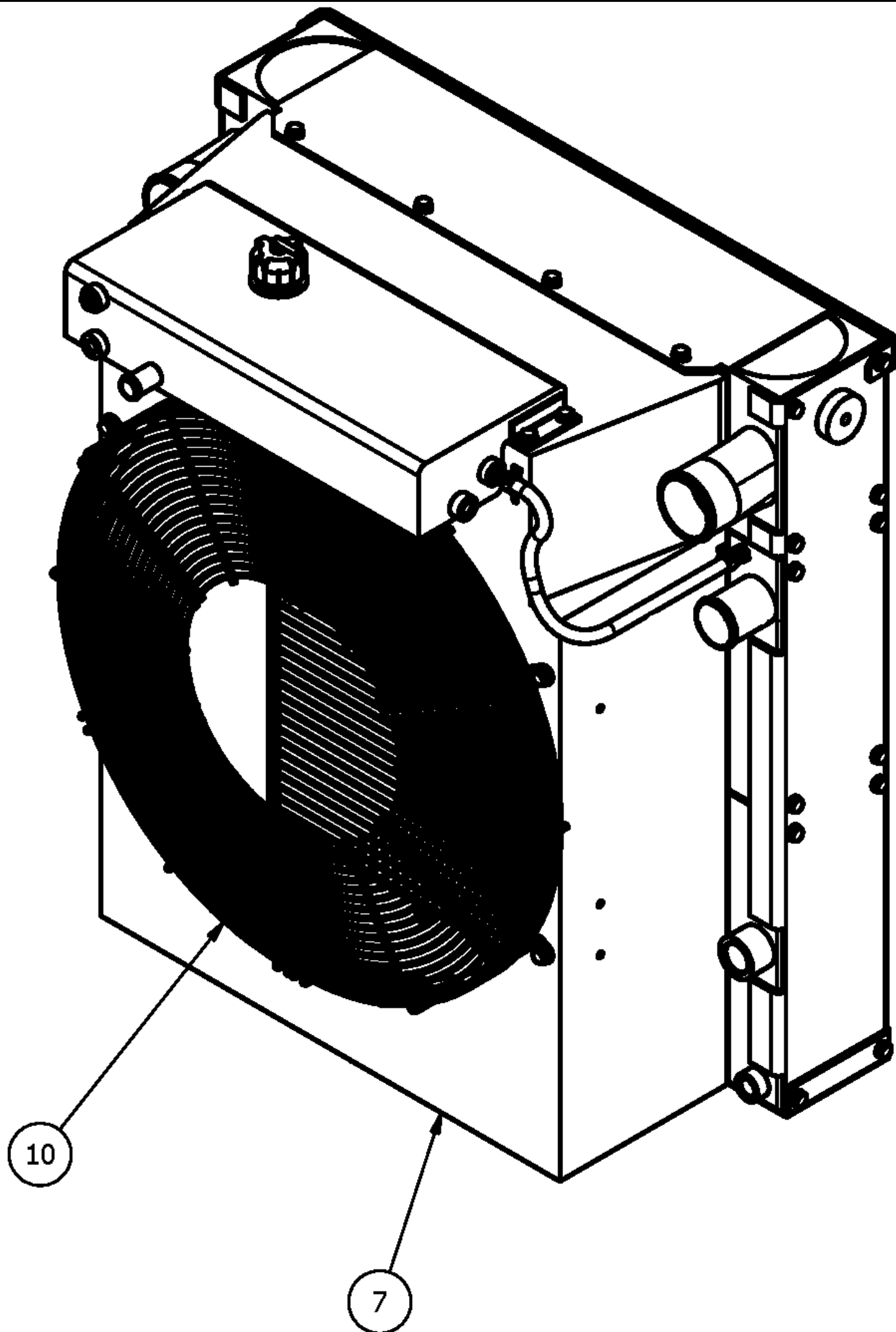
Lokotrack ST3.8 s/n 76292
N03460963_0 COUPLING ASSEMBLY

Pos.	Part No.	Description	Qty	Net Wght
1	N03460960	COUPLING FLANGE	1	.7
2	N03460961	HUB	1	2
3	N03460962	MOUNTING PLATE	1	13.41

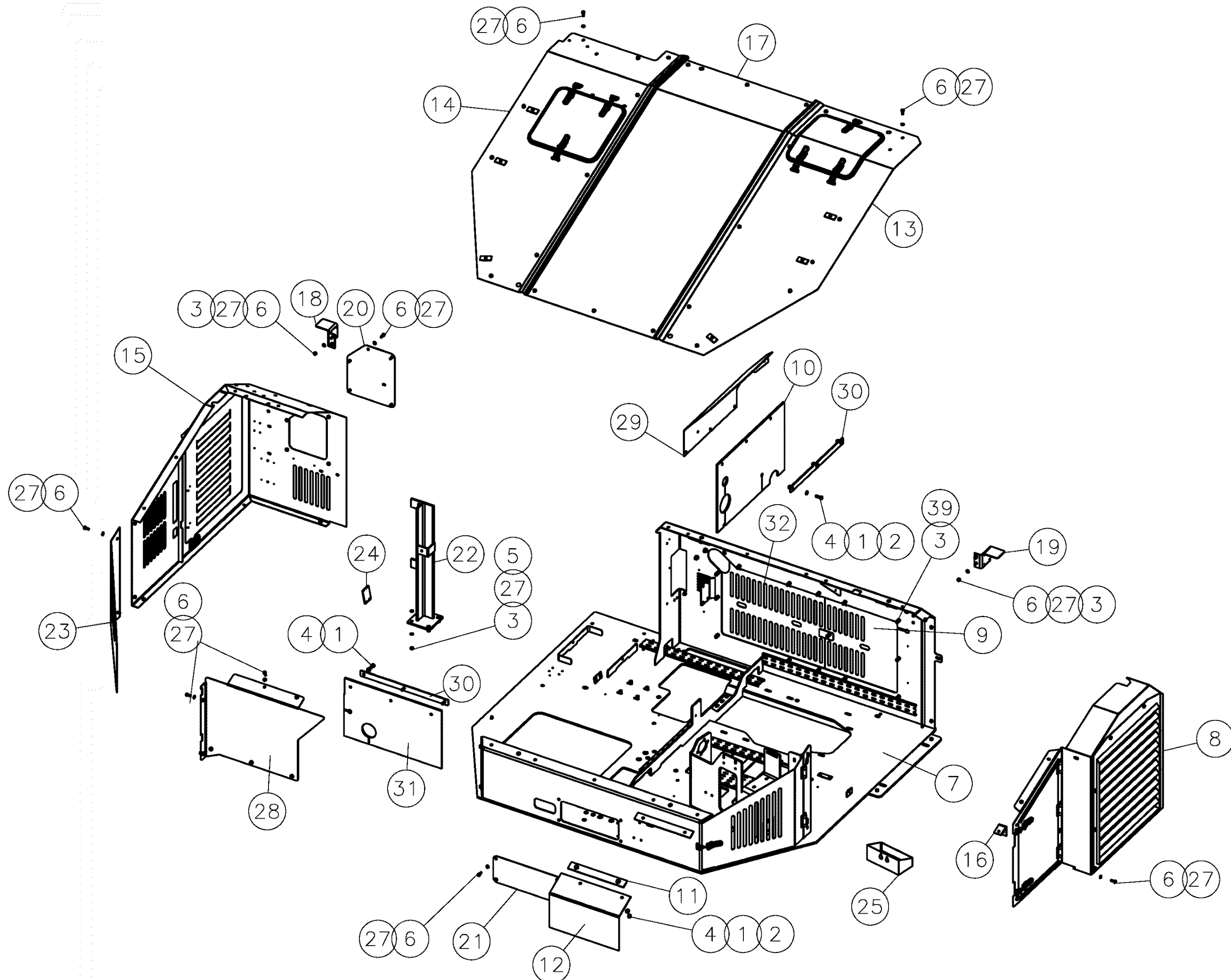




Pos.	Part No.	Description	Qty	Net Wght	Page
1	MM0261680	COOLER	1	68	70
2	MM0236956	GUARD	1	2.23	
3	MM0278652	AIR PIPE	1	2.81	
4	N05228046	SENSOR	1	0.03	
5	MM0278689	HOSE	1	0.19	
6	MM0278682	HOSE	1	0.5	
7	MM0278681	HOSE	1	0.67	
8	MM0251309	HOSE	1	0.02	
9	MM0278680	HOSE	1	0.81	
10	MM0278947	HOSE	1	0.08	
11	947414	HOLDER	1	0.16	
12	MM0278707	PLATE	1	1.12	
13	M10158	PLATE, RUBBER	2	0.07	
14	MM0233711	HOSE TIGHTENER	4	0.05	
16	N02119009	CLAMP	2	0.04	
17	N02119010	CLAMP	2	0.06	
18	706300787840	HOSE TIGHTENER	1	0.16	
19	704404204500	HOSE TIGHTENER	2	0.002	
20	MM0278923	HOSE CONNECTION	1	0.02	
21	N02430302	TERMINAL PLUG	1	0.02	
22	N01623110	PLAIN WASHER	2	0.001	
23	704203927100	NUT, SELF-LOCKING	1	0.01	
24	N01530138	SCREW, HEXAGONAL	1	0.03	
25	7001570012	NUT, SELF-LOCKING	2	0.01	
26	704006970000	PLAIN WASHER	4	0.01	
27	N01530197	BOLT, HEXAGONAL	2	0.05	
28	M09977	RUBBER	2	0.02	
29	704404204950	CLAMP	2	0.03	
30	MM0313561	HOSE CURVE	1	0.21	
31	934080	HOSE CONNECTION	1	0.1	
32	MM0280192	ELBOW	1	0.174	
33	706300787840	HOSE TIGHTENER	2	0.16	

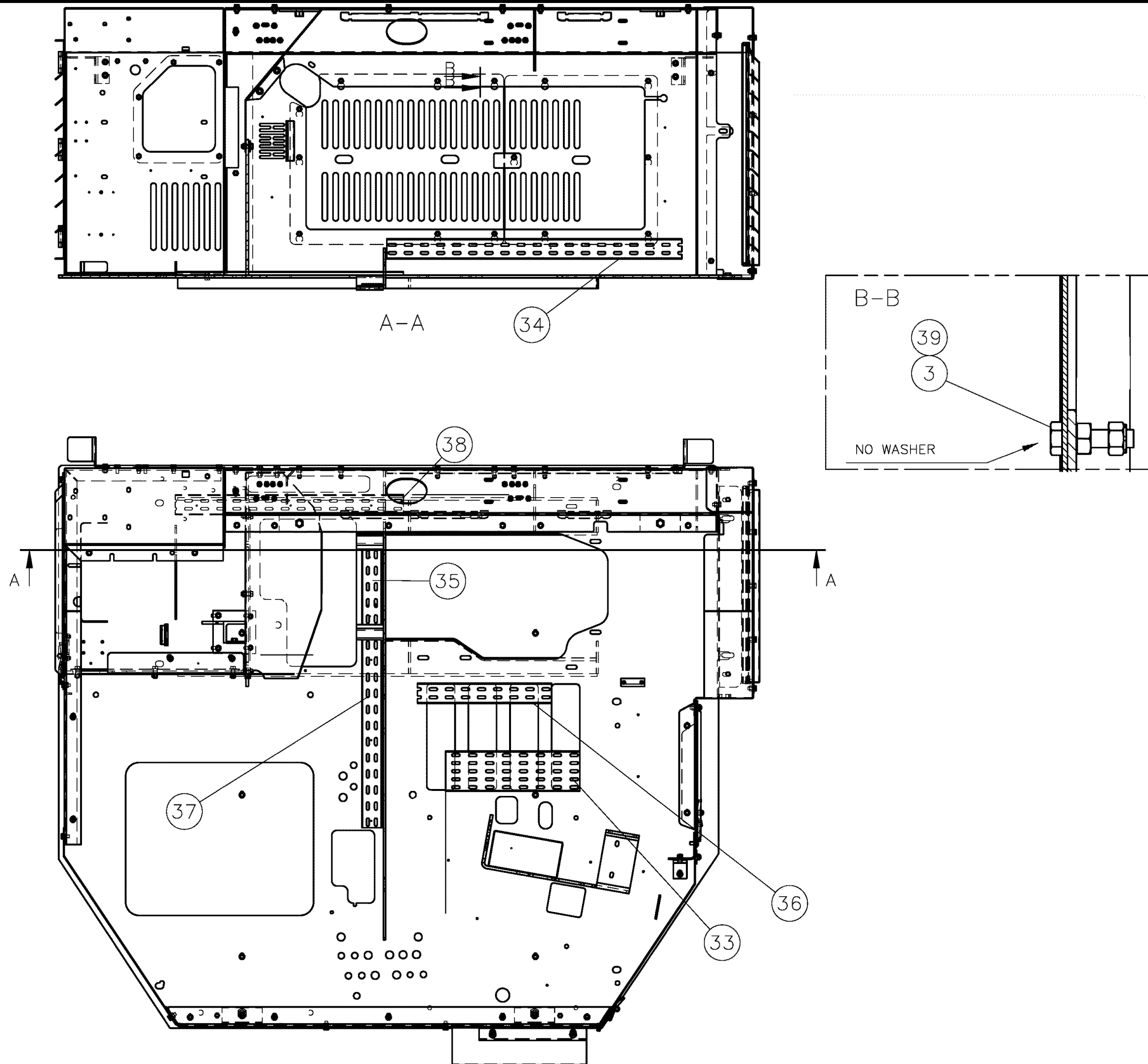


Pos.	Part No.	Description	Qty	Net Wght
1	MM0289569	WATER COOLER	1	30
2	MM0289570	OIL COOLER	1	30
3	MM0289571	AIR COOLER	1	20
7	MM0289577	FAN FRAME	1	5
10	MM0289575	GUARD	1	5
11	MM0289572	PRESSURE CAP	1	0.5





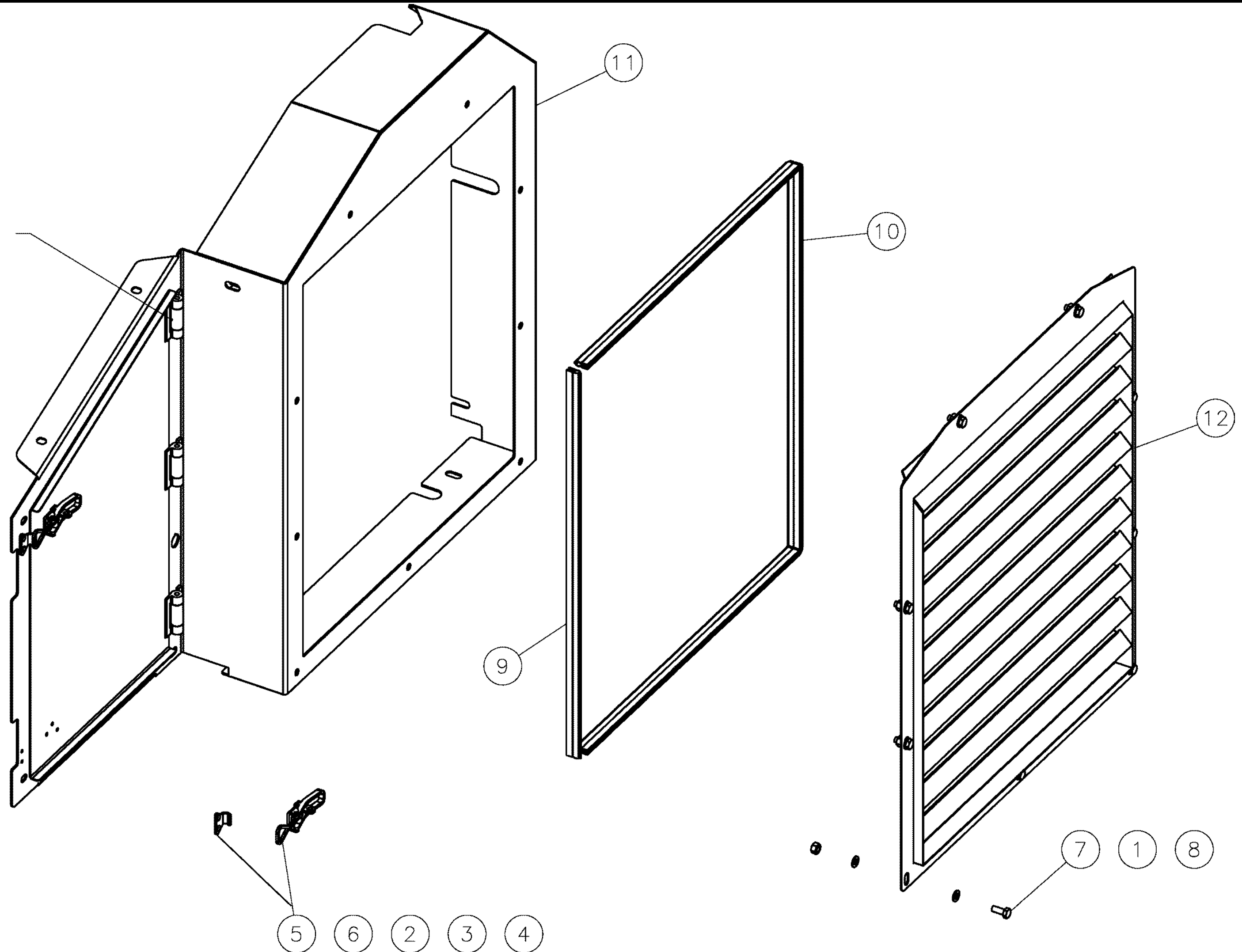
Pos.	Part No.	Description	Qty	Net Wght	Page
1	704006970000	PLAIN WASHER	17	0.01	
2	7001570012	NUT, SELF-LOCKING	7	0.01	
3	N01570210	NUT, SELF-LOCKING	10	0.0051	
4	N01530197	BOLT, HEXAGONAL	7	0.05	
5	N01530143	BOLT, HEXAGONAL	4	0.04	
6	N01530136	SCREW, HEXAGONAL	69	0.02	
7	MM0279796	BASE WELDING	1	447.46	
8	MM0255336	COVER ASSEMBLY	1	42.44	72
9	MM0319528	HATCH	1	7.13	
10	MM0279635	PLATE, RUBBER	1	3.47	
11	MM0236508	CLAMP	1	0.2	
12	MM0268035	PLATE, RUBBER	1	0.94	
13	MM0294812	COVER ASSEMBLY	1	36.62	73
14	M11748	COVER	1	34.25	74
15	M11744	COVER SIDE PLATE	1	51.07	75
16	M11487	BRACKET	1	0.26	
17	M10069	PLATE WELDING	1	52.35	
18	M09876	BRACKET	1	0.9	
19	M09048	BRACKET	1	0.9	
20	M08847	PLATE	1	2.0	
21	M08836	PLATE	1	2.2	
22	M08362	BRACKET	1	14.31	
23	M08343	PLATE	1	10.3	
24	M08320	PLATE	1	0.2	
25	917492	OIL CHUTE	1	1.5	
27	804006920000	PLAIN WASHER	83	0.01	
28	MM0288496	PLATE ASSEMBLY	1	9.28	
29	MM0257140	PLATE	1	9.92	
30	MM0258740	CLAMP PLATE	2	1.16	
31	MM0288483	PLATE	1	30.27	
32	MM0319534	HATCH	1	8.69	
33	MM0319581	CABLE TRAY	1	1.72	
34	MM0319587	CABLE TRAY	1	2.18	
35	MM0319597	CABLE TRAY	1	.55	
36	MM0319599	CABLE TRAY	1	.99	
37	MM0319600	CABLE TRAY	1	1.38	
38	MM0319607	CABLE TRAY	1	1.68	
39	7001530144	SCREW, HEXAGONAL	13	0.03	



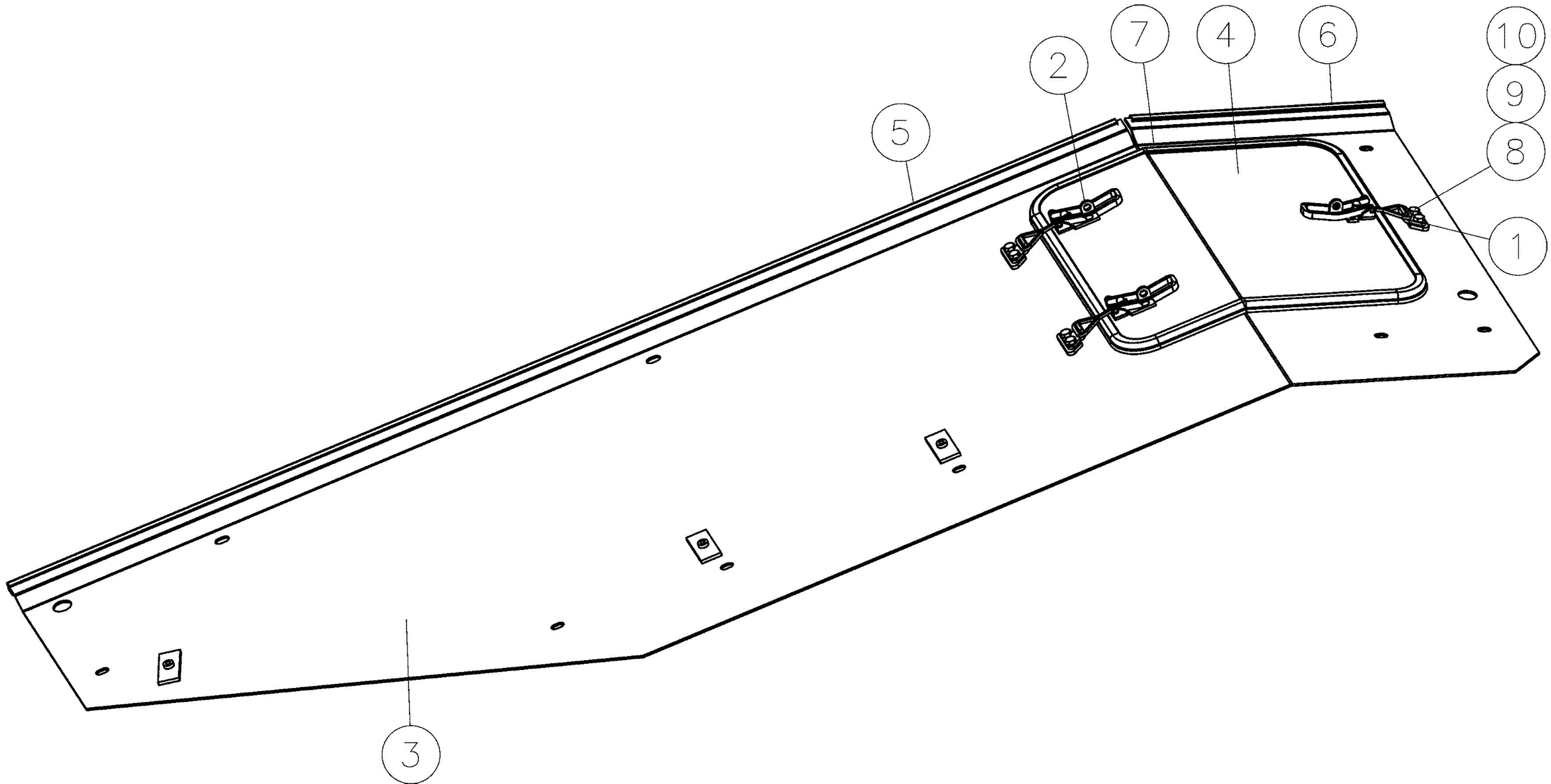


Pos.	Part No.	Description	Qty	Net Wght	Page
1	704006970000	PLAIN WASHER	17	0.01	
2	7001570012	NUT, SELF-LOCKING	7	0.01	
3	N01570210	NUT, SELF-LOCKING	10	0.0051	
4	N01530197	BOLT, HEXAGONAL	7	0.05	
5	N01530143	BOLT, HEXAGONAL	4	0.04	
6	N01530136	SCREW, HEXAGONAL	69	0.02	
7	MM0279796	BASE WELDING	1	447.46	
8	MM0255336	COVER ASSEMBLY	1	42.44	72
9	MM0319528	HATCH	1	7.13	
10	MM0279635	PLATE, RUBBER	1	3.47	
11	MM0236508	CLAMP	1	0.2	
12	MM0268035	PLATE, RUBBER	1	0.94	
13	MM0294812	COVER ASSEMBLY	1	36.62	73
14	M11748	COVER	1	34.25	74
15	M11744	COVER SIDE PLATE	1	51.07	75
16	M11487	BRACKET	1	0.26	
17	M10069	PLATE WELDING	1	52.35	
18	M09876	BRACKET	1	0.9	
19	M09048	BRACKET	1	0.9	
20	M08847	PLATE	1	2.0	
21	M08836	PLATE	1	2.2	
22	M08362	BRACKET	1	14.31	
23	M08343	PLATE	1	10.3	
24	M08320	PLATE	1	0.2	
25	917492	OIL CHUTE	1	1.5	
27	804006920000	PLAIN WASHER	83	0.01	
28	MM0288496	PLATE ASSEMBLY	1	9.28	
29	MM0257140	PLATE	1	9.92	
30	MM0258740	CLAMP PLATE	2	1.16	
31	MM0288483	PLATE	1	30.27	
32	MM0319534	HATCH	1	8.69	
33	MM0319581	CABLE TRAY	1	1.72	
34	MM0319587	CABLE TRAY	1	2.18	
35	MM0319597	CABLE TRAY	1	.55	
36	MM0319599	CABLE TRAY	1	.99	
37	MM0319600	CABLE TRAY	1	1.38	
38	MM0319607	CABLE TRAY	1	1.68	
39	7001530144	SCREW, HEXAGONAL	13	0.03	

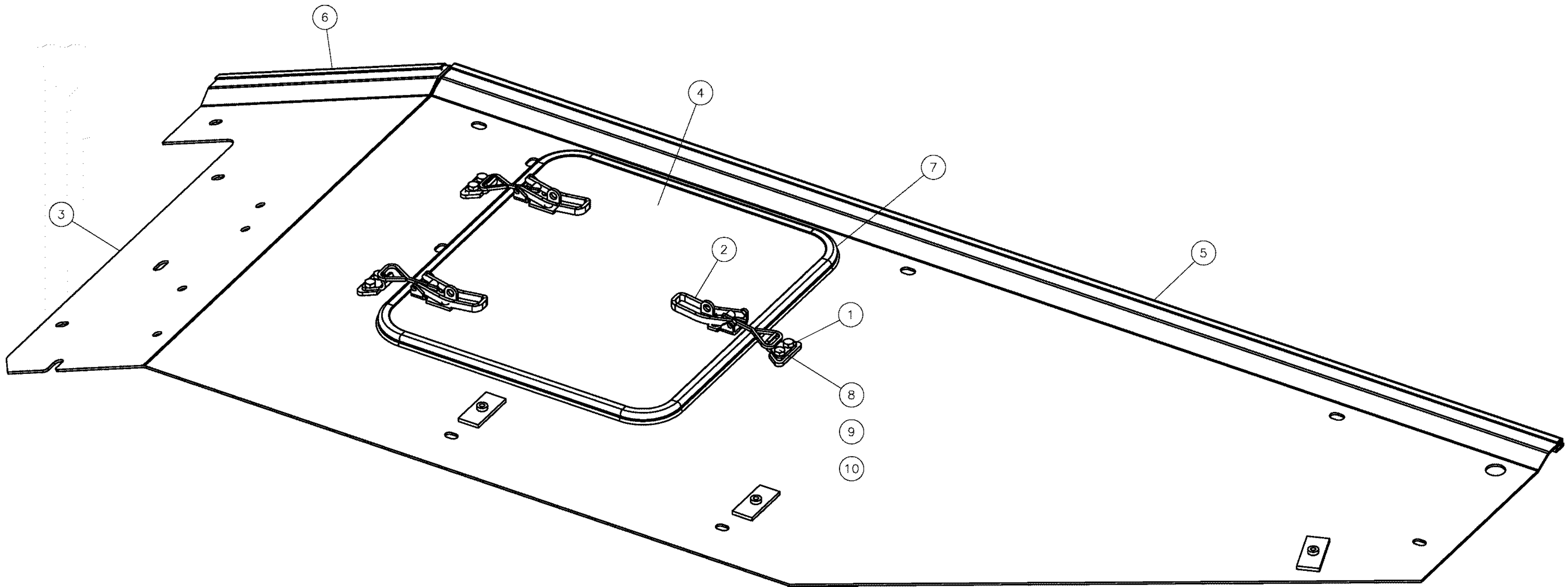
706203060615 - REPLACEMENT HINGE



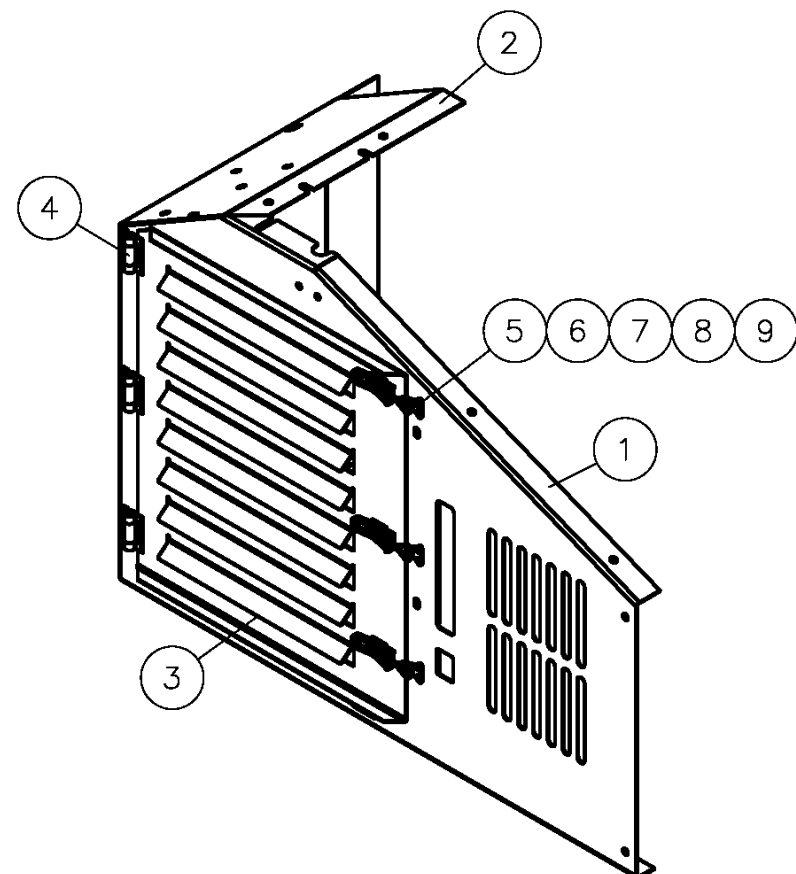
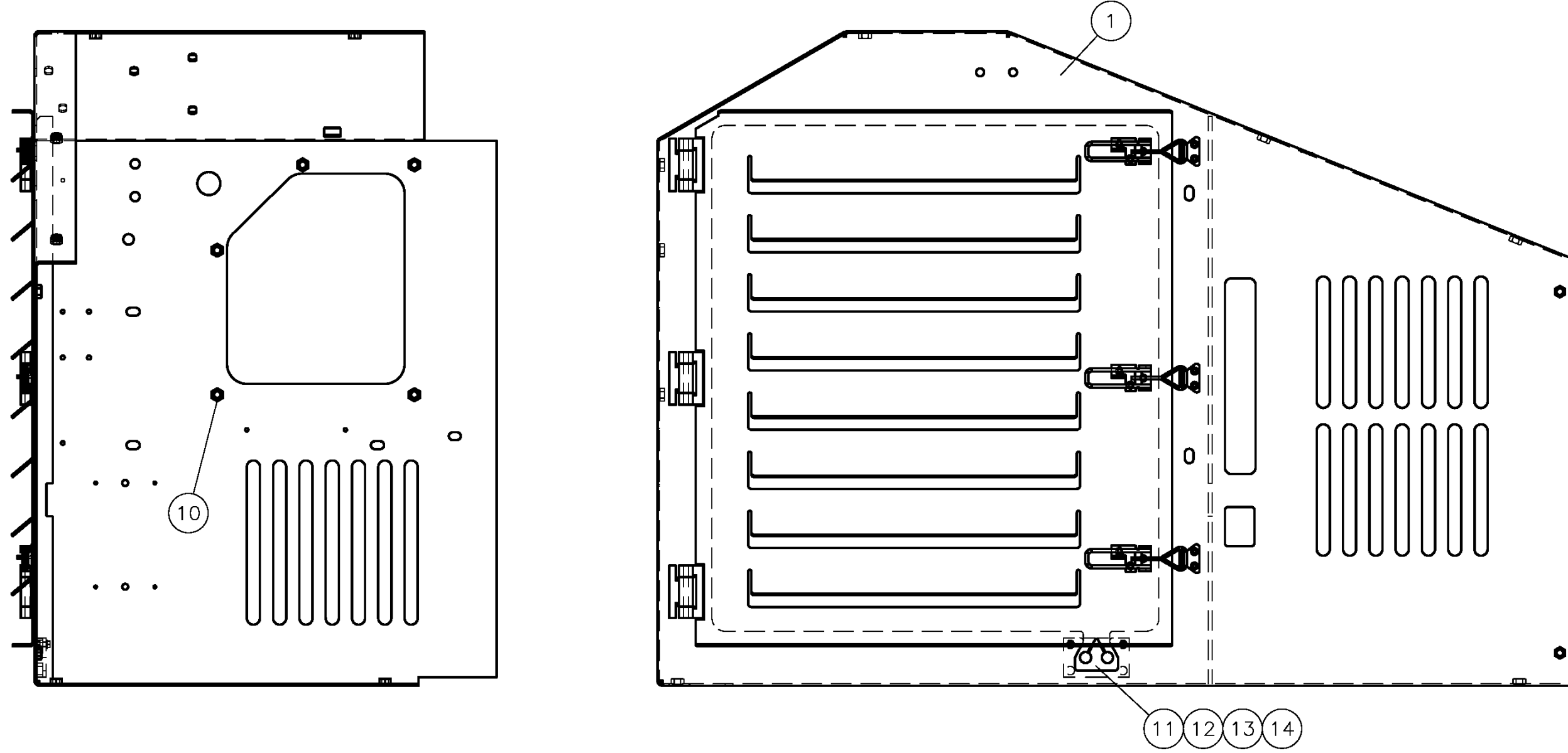
Pos.	Part No.	Description	Qty	Net Wght
1	804006920000	PLAIN WASHER	18	0.01
2	704203924060	SCREW, SLOT-HEAD	10	
3	704203927050	NUT, SELF-LOCKING	10	0.01
4	704006830000	PLAIN WASHER	10	0.01
5	706300690900	HOOK	2	0.03
6	706300691000	TENSIONER LATCH	2	0.201
7	N01530136	SCREW, HEXAGONAL	9	0.02
8	N01570210	NUT, SELF-LOCKING	9	0.0051
9	M11817	RUBBER PROTECTION	1	0.11
10	MM0236943	RUBBER PROTECTION	1	0.31
11	MM0254964	COVER	1	30.92
12	MM0255090	COOLER EQUIPMENT	1	10.29



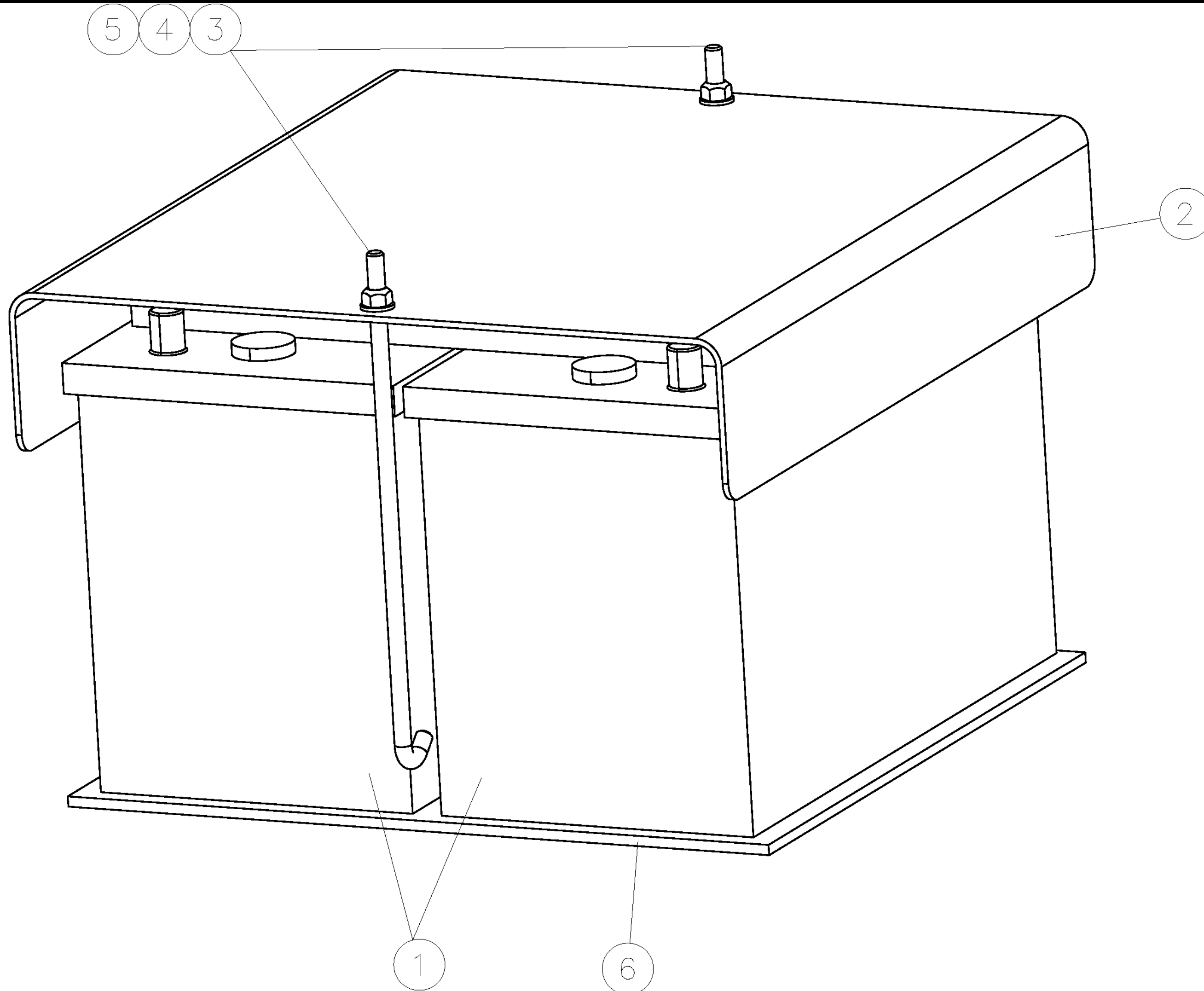
Pos.	Part No.	Description	Qty	Net Wght
1	706300690900	HOOK	3	0.03
2	706300691000	TENSIONER LATCH	3	0.201
3	MM0294801	COVER	1	30.77
4	MM0294805	PLATE	1	4.91
5	M09284	SEAL	1	
6	M09285	SEAL	1	
7	MM0294804	SEAL	1	0.31
8	N01530104	SCREW, HEXAGONAL	6	0.01
9	704203927080	NUT, SELF-LOCKING	6	0.0056
10	N01626508	PLAIN WASHER	6	0.013



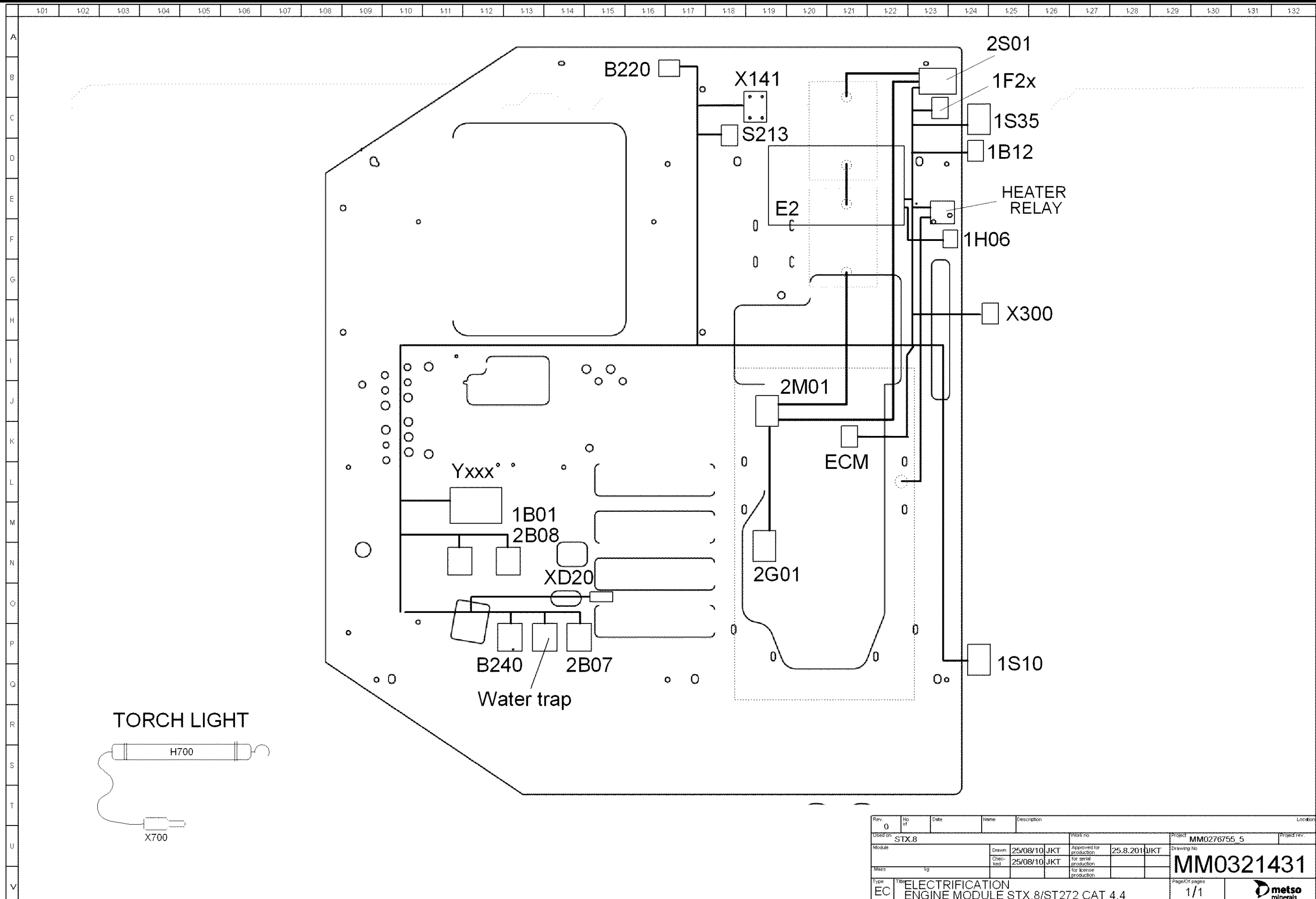
Pos.	Part No.	Description	Qty	Net Wght
1	706300690900	HOOK	3	0.03
2	706300691000	TENSIONER LATCH	3	0.201
3	M11749	COVER	1	28.76
4	M08822	PLATE	1	4.85
5	M09284	SEAL	1	
6	M09285	SEAL	1	
7	M09286	SEAL	1	1.5
8	N01530104	SCREW, HEXAGONAL	6	0.01
9	704203927080	NUT, SELF-LOCKING	6	0.0056
10	N01626508	PLAIN WASHER	6	0.013



Pos.	Part No.	Description	Qty	Net Wght
1	M11751	COVER	1	30.89
2	M11747	COVER PLATE	1	5.28
3	MM0329469	DOOR	1	14.19
4	706203060615	HINGE	3	0.2
5	706300690900	HOOK	3	0.03
6	706300691000	TENSIONER LATCH	3	0.201
7	704203924060	SCREW, SLOT-HEAD	15	
8	704203927050	NUT, SELF-LOCKING	15	0.01
9	704006830000	PLAIN WASHER	15	0.01
10	N01577010	NUT, HEXAGONAL WELD	13	0.00958
11	575955	PLATE	1	0.12
12	575954	PLATE, RUBBER	1	0.06
13	N01530055	SCREW, HEXAGONAL	2	0.005
14	704006860000	PLAIN WASHER	2	0.00114



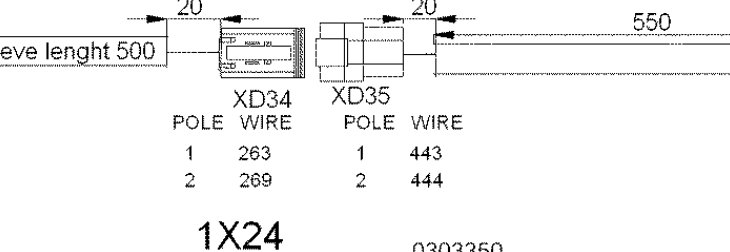
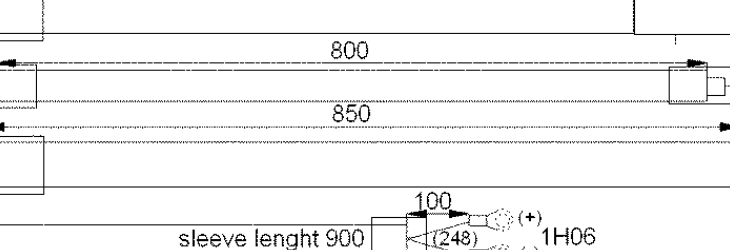
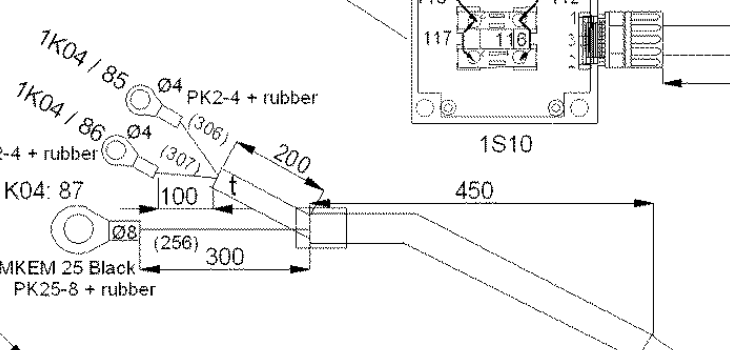
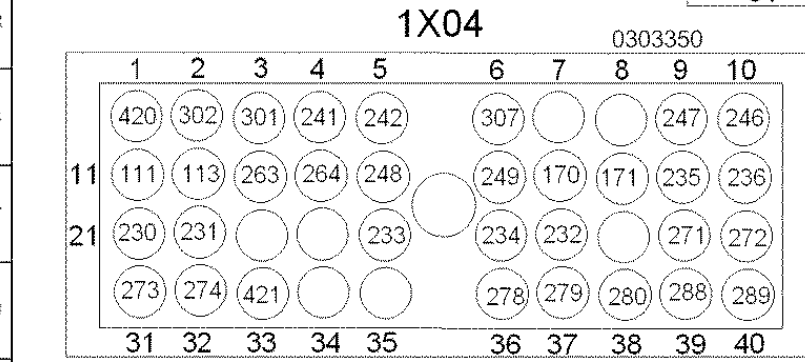
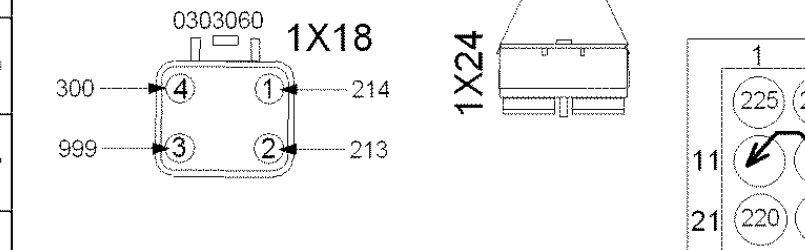
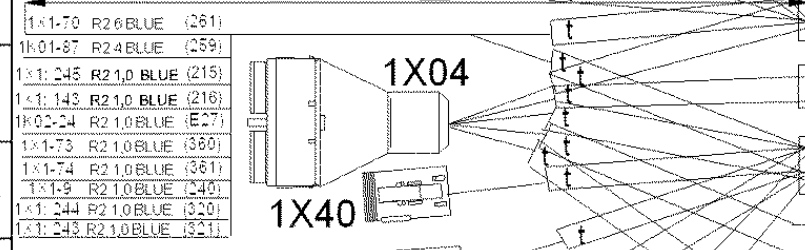
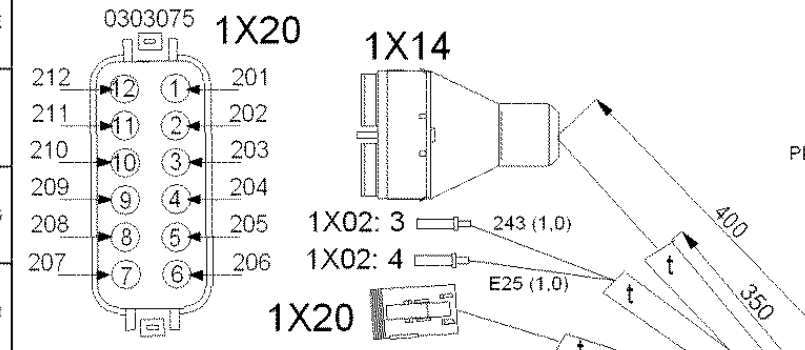
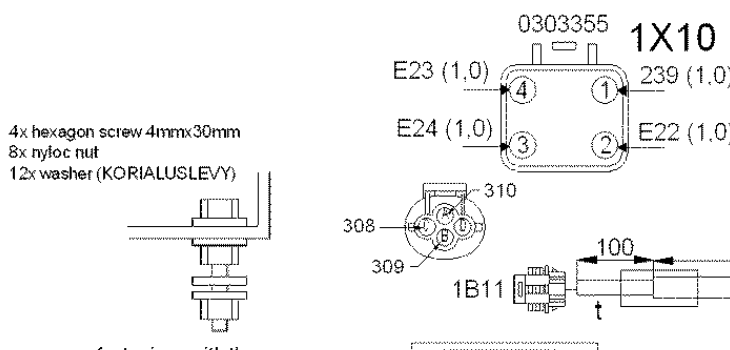
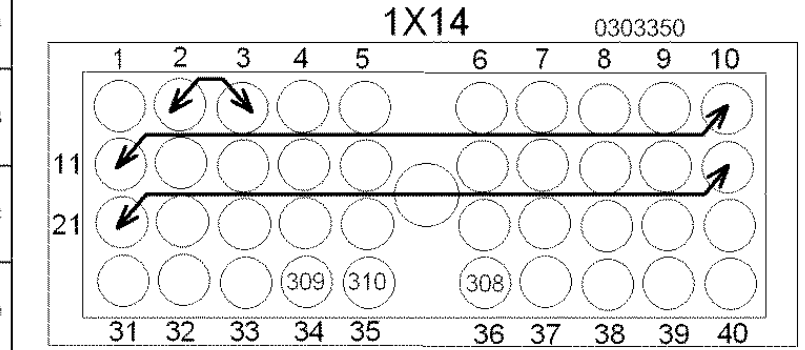
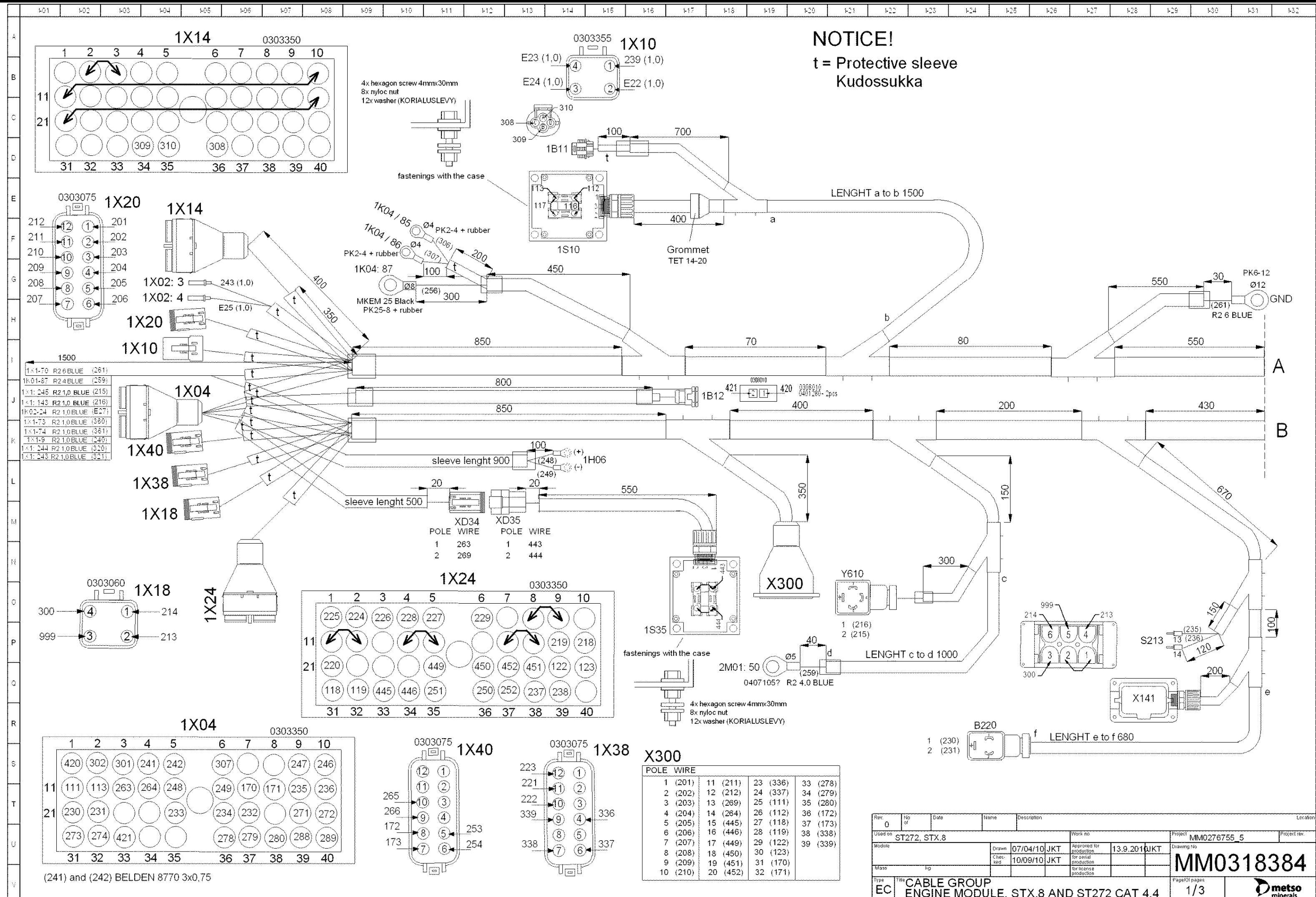
Pos.	Part No.	Description	Qty	Net Wght
1	N05256383	BATTERY	2	26
2	MM0279724	COVER	1	9.55
3	MM0279700	THREADED ROD	2	0.1
4	704203927080	NUT, SELF-LOCKING	2	0.0056
5	N01626508	PLAIN WASHER	2	0.013
6	MM0279698	PLATE, RUBBER	1	0.59



Rev.	No of	Date	Name	Description	Location
0					
Used on		STX.8		Work no	
Module		Drawn	25/08/10 JKT	Approved for production	25.8.2010 JKT
Mass		Checked	25/08/10 JKT	for serial production	
Type		EC ELECTRIFICATION ENGINE MODULE STX.8/ST272 CAT 4.4			for license production
Project				MM0276755_5	Project rev.
Drawing No				MM0321431	
Page/Of pages				1/1	



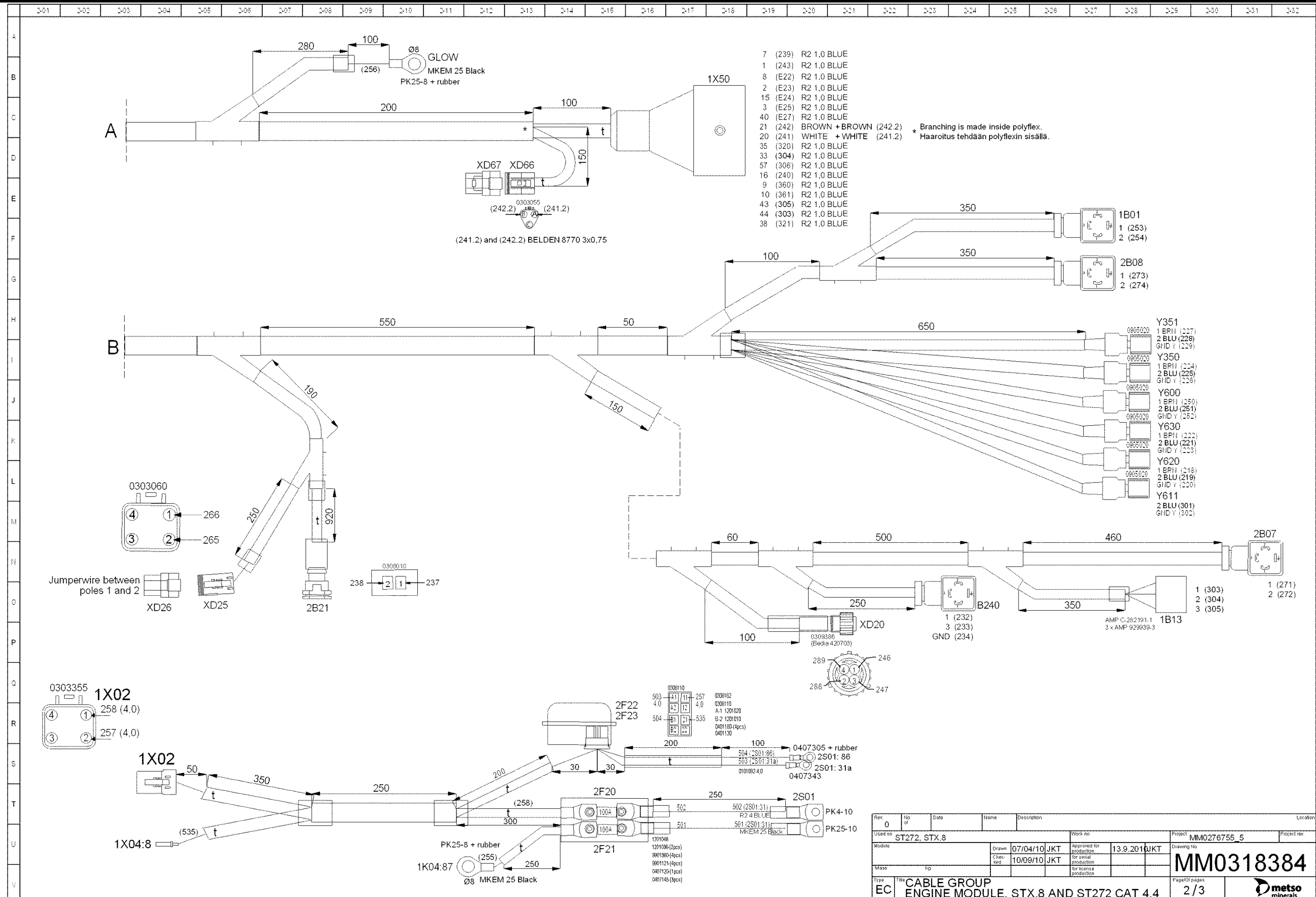
Pos.	Part No.	Description	Qty	Net Wght	Page
1	MM0318384	CABLE GROUP	1		78
2	N04205646	ELASTIC DAMPER	4	0.15	
3	MM0222671	BRACKET	1	0.39	
E2	MM0270246	ELECTRIC CENTER	1		79
HCM	MM0303500	ELECTRIFICATION	1		81
1H06	N05224012	HORN	1	0.650	
H700	707301552950	TORCH LIGHT	1	0.4	
S213	804488	ELECTRIC LIMIT SWITCH	1	0.25	



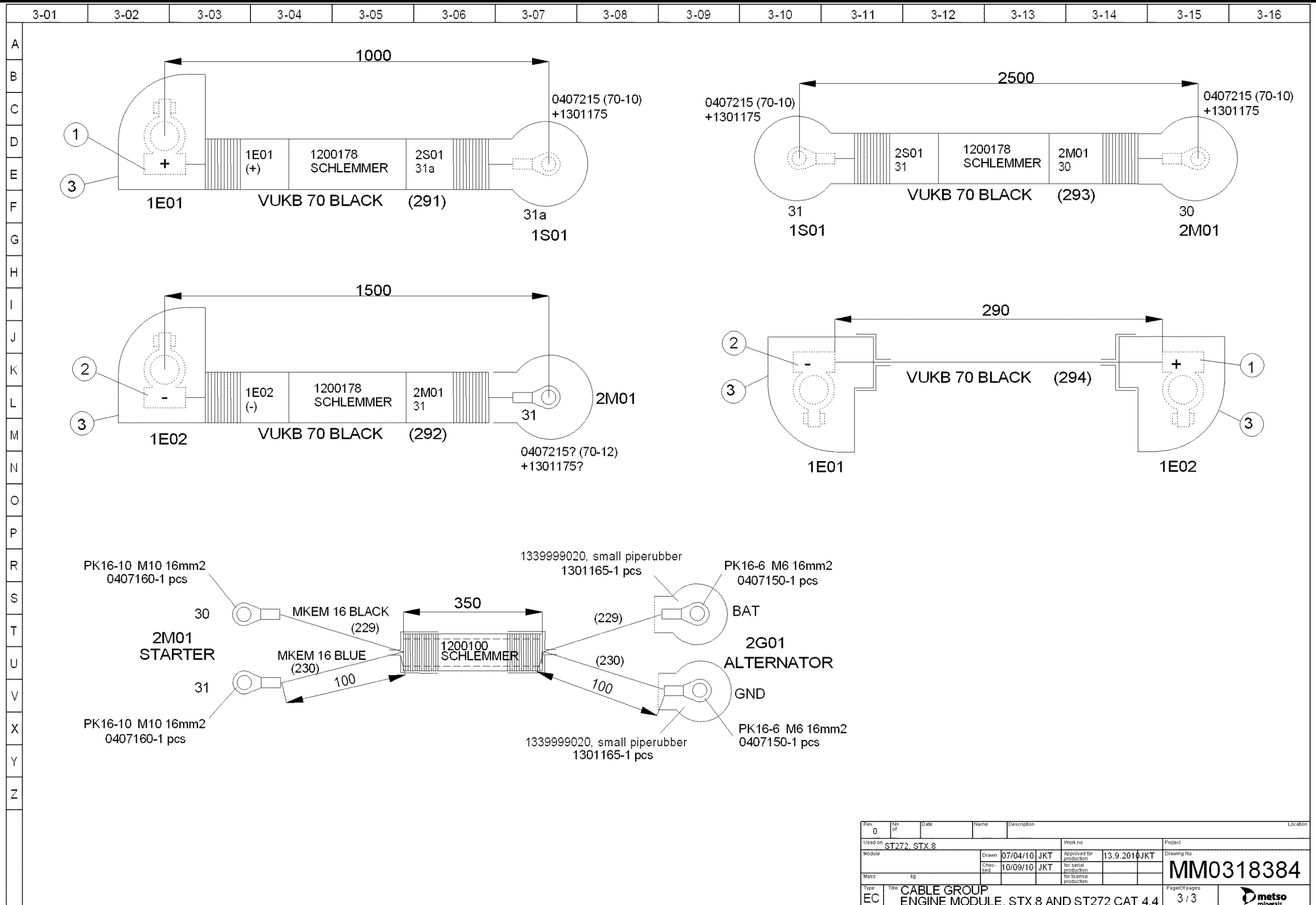
X300 POLE WIRE

1 (201)	11 (211)	23 (336)	33 (278)
2 (202)	12 (212)	24 (337)	34 (279)
3 (203)	13 (269)	25 (111)	35 (280)
4 (204)	14 (264)	26 (112)	36 (172)
5 (205)	15 (445)	27 (118)	37 (173)
6 (206)	16 (446)	28 (119)	38 (338)
7 (207)	17 (449)	29 (122)	39 (339)
8 (208)	18 (450)	30 (123)	
9 (209)	19 (451)	31 (170)	
10 (210)	20 (452)	32 (171)	

Rev.	No of	Date	Name	Description	Location
0					
Used on		Module		Work no	Project
ST272, STX.8		ST272, STX.8			MM0276755_5
Drawn		Checked		Approved for production	Project rev.
07/04/10 JKT		10/09/10 JKT		13.9.2010 JKT	
Mass		Type		Page/Of pages	Drawing No
kg		EC		1/3	MM0318384
Type: CABLE GROUP ENGINE MODULE, STX.8 AND ST272 CAT 4.4					
metso minerals					



Rev.	No of	Date	Name	Description	Location
0					
Used on		ST272, STX.8		Work no	
Module				Approved for production	13.9.2010 JKT
		Drawn 07/04/10 JKT		Checked 10/09/10 JKT	Project MM0276755_5
Mass		kg		for serial production	Drawing No MM0318384
Type EC		CABLE GROUP		for license production	Page/Of pages 2/3
ENGINE MODULE, STX.8 AND ST272 CAT 4.4					

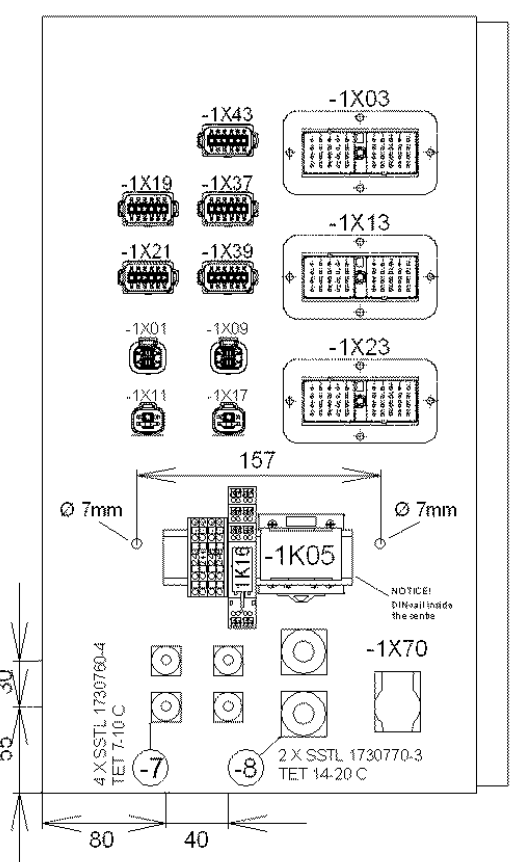
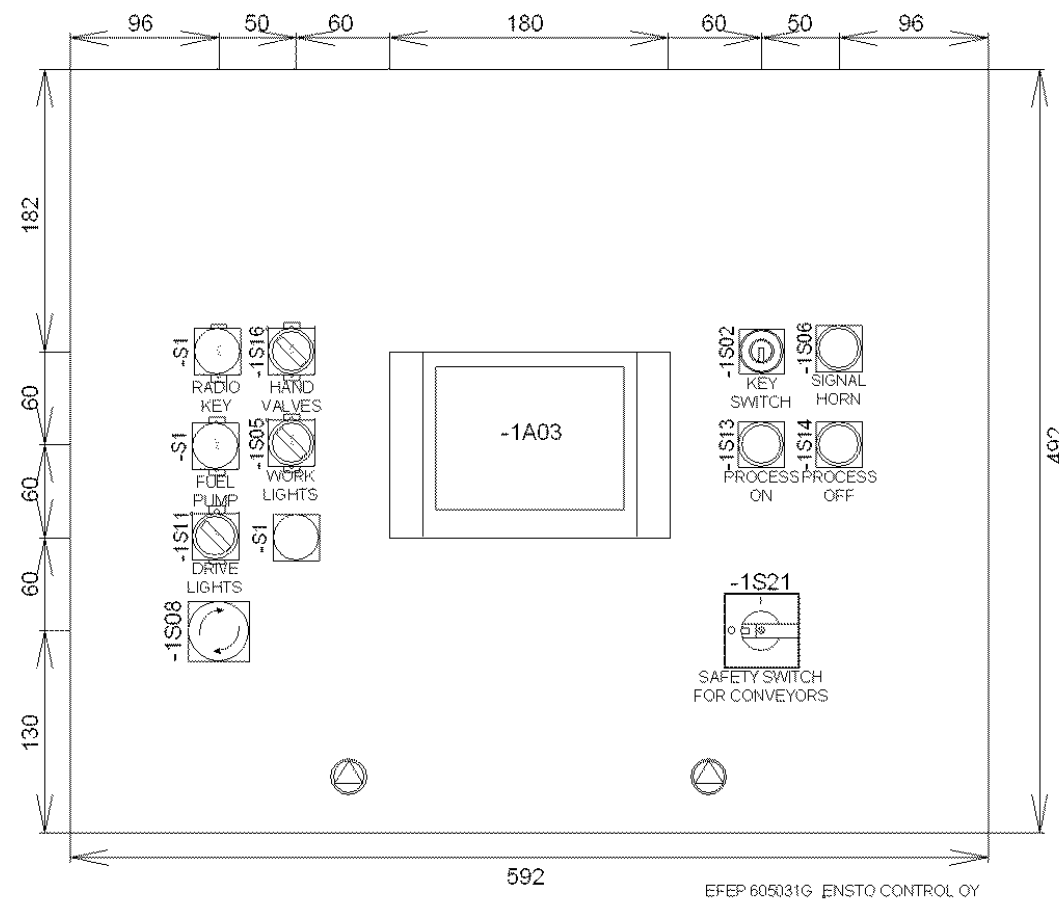
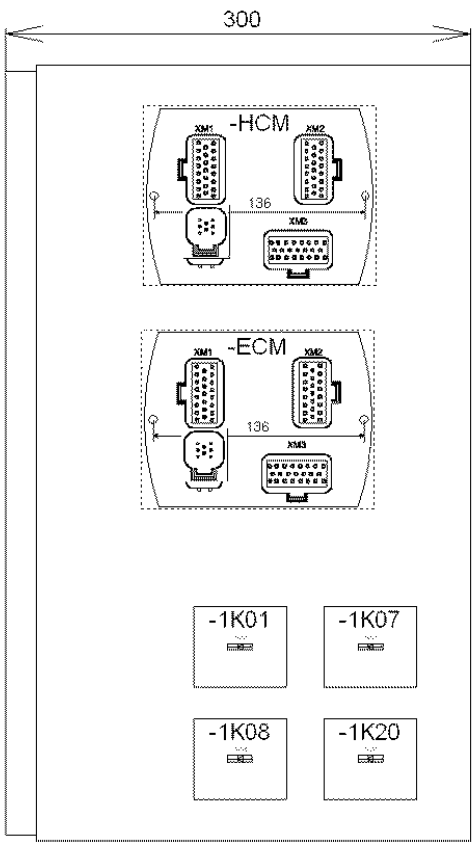
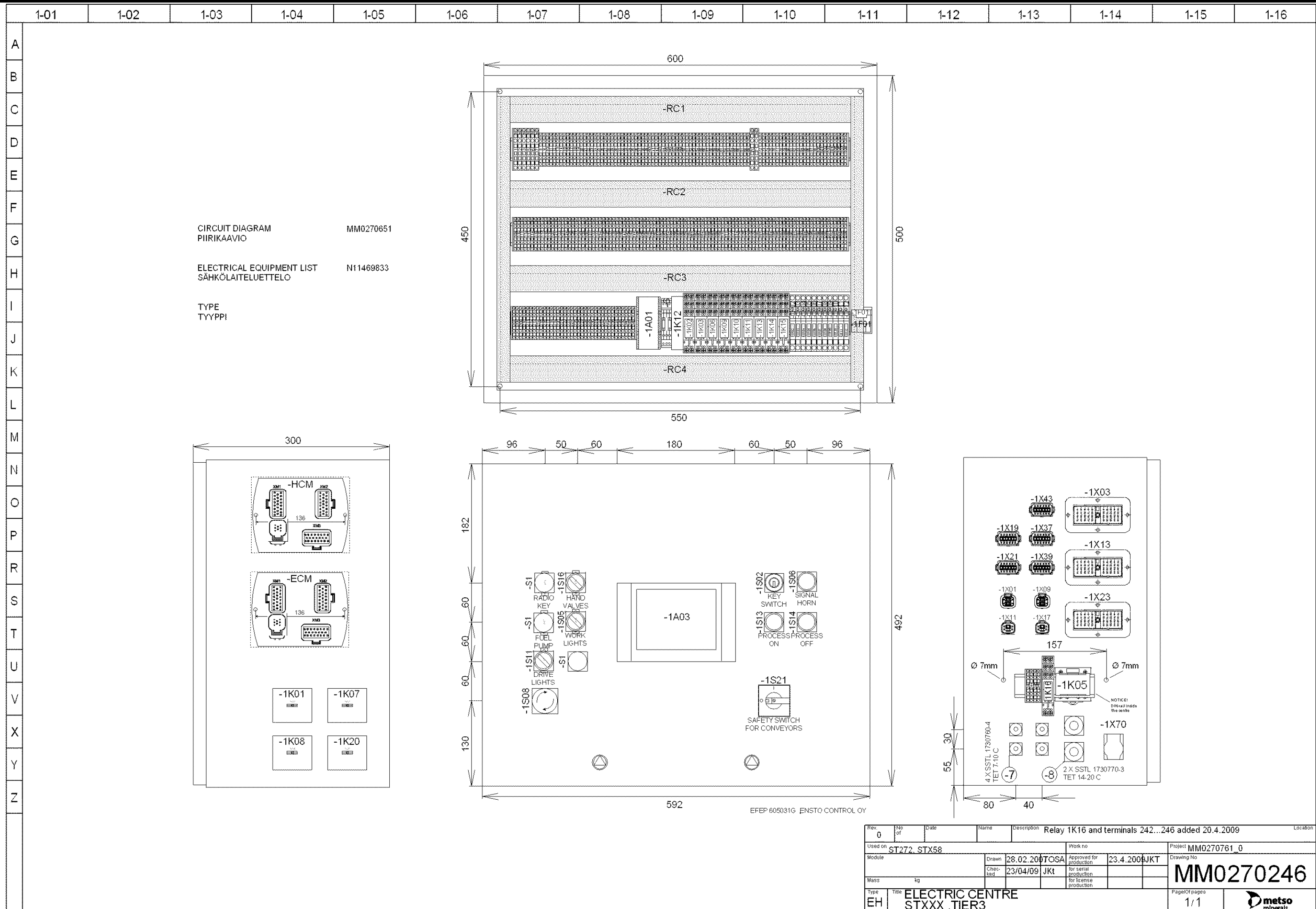


Rev. 0	No. of	Date	Name	Description	Location
Used on		Module		Work no	Project
ST272, STX.8		1200100 SCHLEMMER		13.9.2010 JKT	
Drawn		Checked		Approved for production	Drawing No
07/04/10 JKT		10/09/10 JKT		for serial production	MM0318384
Mass		sig		for license production	
Type	Title			Page/Of pages	
EC	CABLE GROUP ENGINE MODULE, STX.8 AND ST272 CAT 4.4			3 / 3	

THIS PAGE HAS BEEN LEFT INTENTIONALLY BLANK



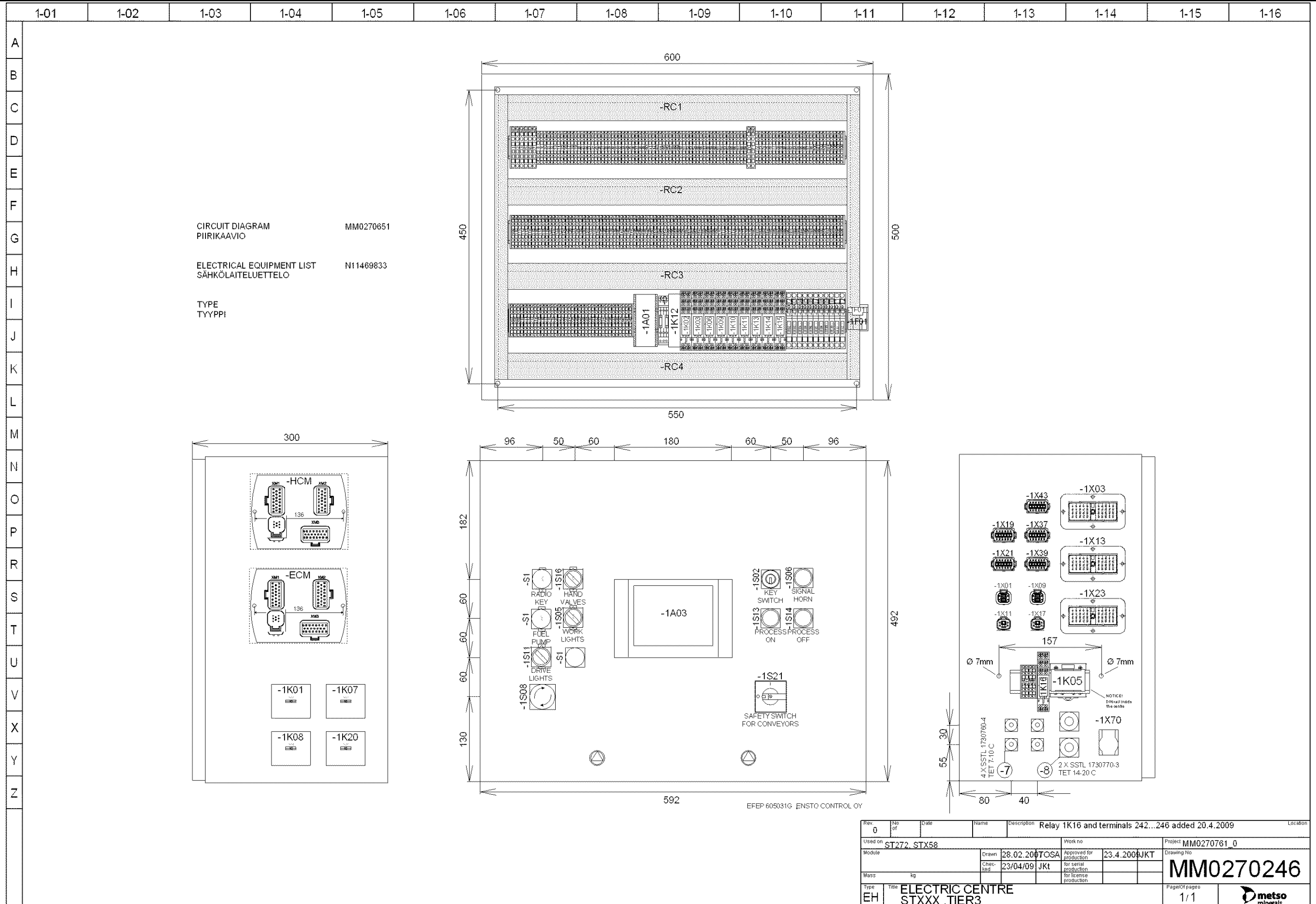
Pos.	Part No.	Description	Qty	Net Wght
1	N05234430	BATTERY TERMINAL	2	
2	N05234431	BATTERY TERMINAL	2	
3	N05227914	COVER, RUBBER	4	
10	MM0319648	PLATE	1	3.91
1B01	N05227909	CONNECTOR	1	0.05
1B11	MM0255085	PLUG	1	0.07
1B12	707300723100	CONNECTION	1	0.01
	N05227916	COVER, RUBBER	1	
	N05227917	CONNECTOR	1	
1B13	MM0291858	CONNECTOR	1	0.050
1H06	N05234152	CABLE LUG	1	
	N05227913	COVER, RUBBER	1	
1K04	N05255879	RELAY	1	0.5
1S10	N05222002	EMERGENCY STOP SWITCH	1	0.454
1S35	N05222002	EMERGENCY STOP SWITCH	1	0.454
1X02	N11449660	PLUG	1	0.001
1X04	N11449933	CONNECTOR	1	0.13
1X10	N11449660	PLUG	1	0.001
1X14	N11449933	CONNECTOR	1	0.13
1X18	N11449656	PLUG	1	0.113
1X20	N11449658	PLUG	1	0.454
1X24	N11449933	CONNECTOR	1	0.13
1X38	N11449658	PLUG	1	0.454
1X40	N11449658	PLUG	1	0.454
1X50	N11459264	PLUG	1	
2B07	N05227909	CONNECTOR	1	0.05
2B08	N05227909	CONNECTOR	1	0.05
2B21	N05227916	COVER, RUBBER	1	
	N05227917	CONNECTOR	1	
2F20	N05256635	FUSE	1	0.01
	N05256636	FUSE HOLDER	1	0.05
2F21	N05256635	FUSE	1	0.01
2F22	N05255398	FUSE BOX	1	.07
	707301405500	FUSE	1	0.01
2F23	707301405300	FUSE	1	0.01
2S01	707301295200	MAIN CURRENT SWITCH RELAY	1	1.5
B220	N05227908	CONNECTOR	1	0.45
B240	N05227909	CONNECTOR	1	0.05
S213	707301875300	TERMINAL BUSHING	2	.01
X141	707301593522	DEVICE BRACKET	1	0.3
X300	N05227910	COVER, RUBBER	1	0.01
	N11449932	SOCKET	1	0.15
XD20	N05227949	SOCKET	1	0.01
XD25	N11449656	PLUG	1	0.113
XD26	N11449655	SOCKET	1	.01
XD34	N11449656	PLUG	1	0.113
XD35	N11469255	SOCKET	1	0.01
XD66	MM0316663	PLUG	1	0.01
XD67	MM0269286	SOCKET	1	0.01
Y350	N05227093	SOCKET CABLE	1	.2
Y351	N05227093	SOCKET CABLE	1	.2
Y600	N05227093	SOCKET CABLE	1	.2
Y610	N05227909	CONNECTOR	1	0.05
Y611	N05227093	SOCKET CABLE	1	.2
Y620	N05227093	SOCKET CABLE	1	.2
Y630	N05227093	SOCKET CABLE	1	.2



Rev. 0	No. of	Date	Name	Description	Relay 1K16 and terminals 242...246 added 20.4.2009	Location
Used on	ST272, STX58		Work no	Project MM0270761_0		
Module	Drawn	28.02.2009	TOSA	Approved for production	23.4.2009	JKT
Mass	Checked	23/04/09	JKT	for serial production		
Type	EH		Title		ELECTRIC CENTRE STXXX .TIER3	
					Page	1/1



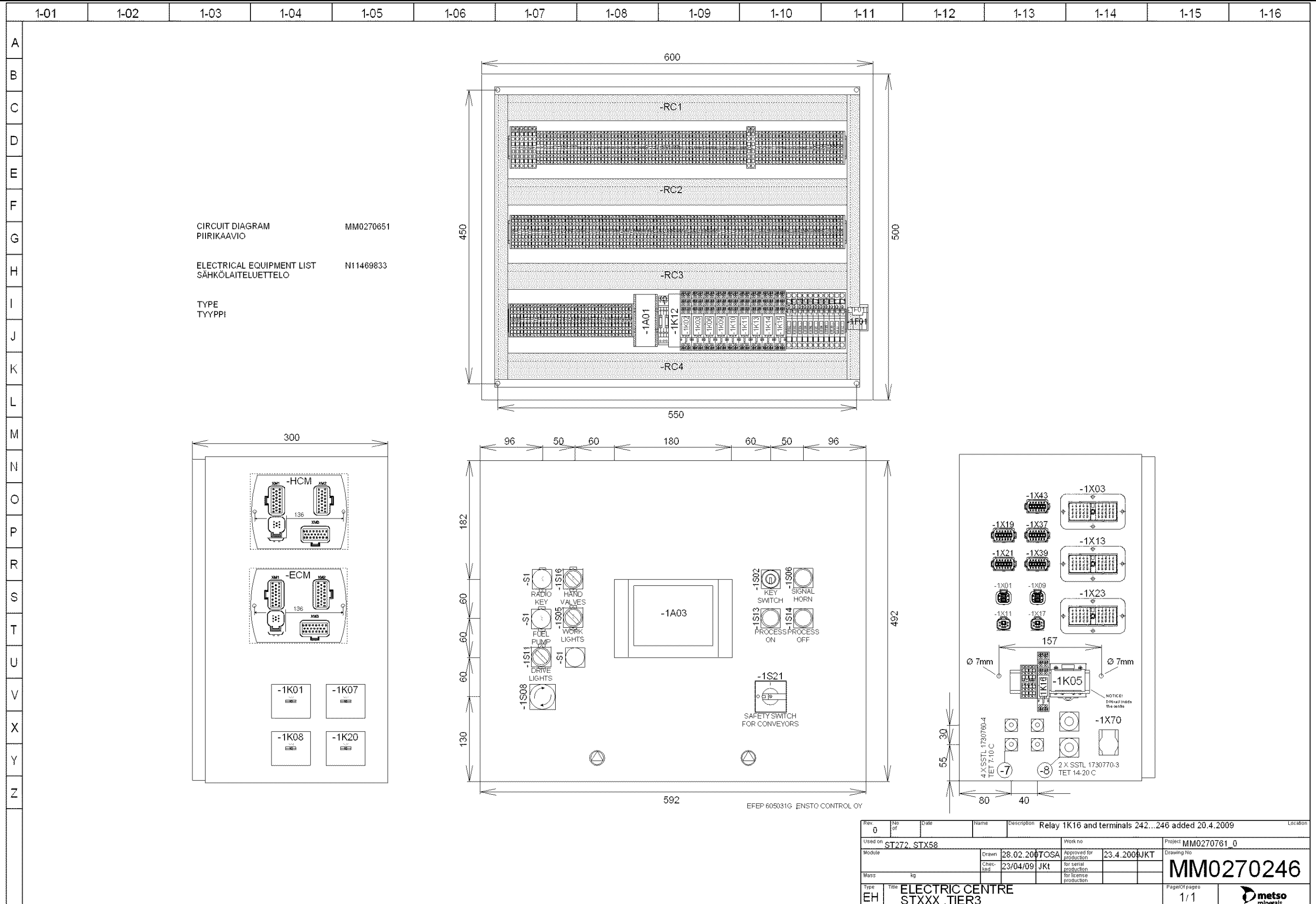
Pos.	Part No.	Description	Qty	Net Wght	Page
-1A01	N05256607	RELAY	1	0.2	
-1A03	MM0230729	CABLE GROUP	1	0.12	80
	MM0261809	DISPLAY UNIT	1	1	
-1F01	N05255990	FUSE	1	0.01	
	N05255991	FUSE HOLDER	1	0.05	
-1F02	MM0236196	FUSE BASE	1	0.0211	
	707301405500	FUSE	1	0.01	
-1F03	MM0236196	FUSE BASE	1	0.0211	
	707301405425	FUSE	1	0.01	
-1F04	MM0236196	FUSE BASE	1	0.0211	
	707301405300	FUSE	1	0.01	
-1F05	MM0236196	FUSE BASE	1	0.0211	
	707301405300	FUSE	1	0.01	
-1F06	MM0236196	FUSE BASE	1	0.0211	
	707301405400	FUSE	1	0.01	
-1F07	MM0236196	FUSE BASE	1	0.0211	
	707301405300	FUSE	1	0.01	
-1F08	N05256975	FUSE BASE	1	0.02068	
	707301405300	FUSE	1	0.01	
-1F09	MM0236196	FUSE BASE	1	0.0211	
	707301405300	FUSE	1	0.01	
-1F10	MM0236196	FUSE BASE	1	0.0211	
	707301405250	FUSE	1	0.01	
-1F11	MM0236196	FUSE BASE	1	0.0211	
	707301405250	FUSE	1	0.01	
-1F12	MM0236196	FUSE BASE	1	0.0211	
	707301405400	FUSE	1	0.01	
-1K01	807302340000	RECTIFIER DIODE	1	0.01	
	707301294900	RELAY	1	0.05	
-1K02	MM0273214	RELAY BASE	1	0.05	
	707302282500	RELAY	1	0.05	
-1K03	MM0273214	RELAY BASE	1	0.05	
	707302282500	RELAY	1	0.05	
-1K05	MM0273207	RELAY	1	0.09	
	MM0273684	RELAY BASE	1	0.090	
-1K06	MM0273214	RELAY BASE	1	0.05	
	707302282500	RELAY	1	0.05	
-1K07	807302340000	RECTIFIER DIODE	1	0.01	
	707301294900	RELAY	1	0.05	
-1K08	807302340000	RECTIFIER DIODE	1	0.01	
	707301294900	RELAY	1	0.05	
		CONTINUES ON THE NEXT PAGE			79-2



Rev. 0	No. of	Date	Name	Description	Relay 1K16 and terminals 242...246 added 20.4.2009	Location
Used on	ST272, STX58		Work no	Project MM0270761_0		
Module	Drawn	28.02.2009	TOSA	Approved for production	23.4.2009	JKT
Mass	Checked	23/04/09	JKT	for serial production	Drawing No	
Type	EH				Title	
				ELECTRIC CENTRE		Page/Of pages
				STXXX .TIER3		1/1



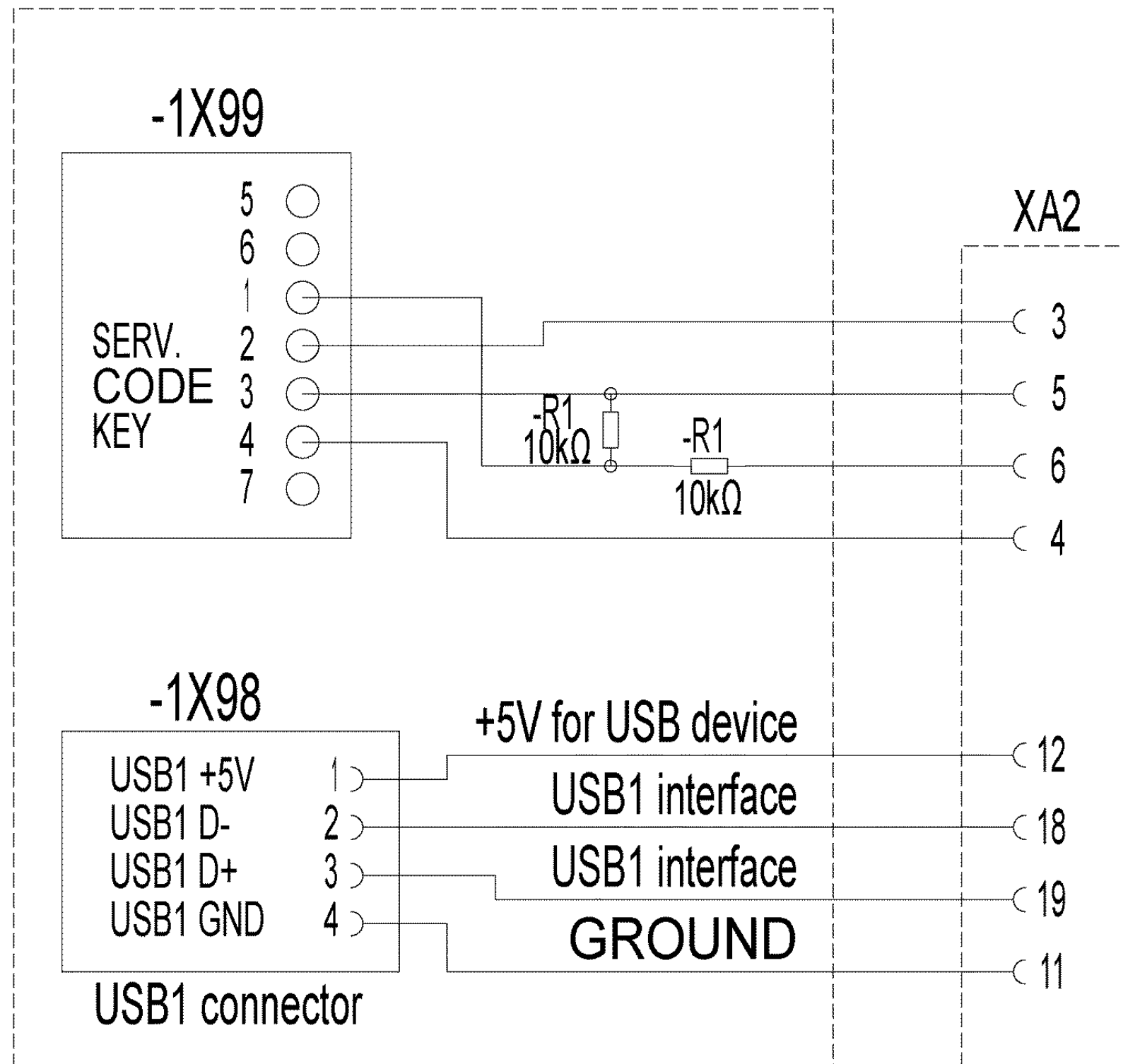
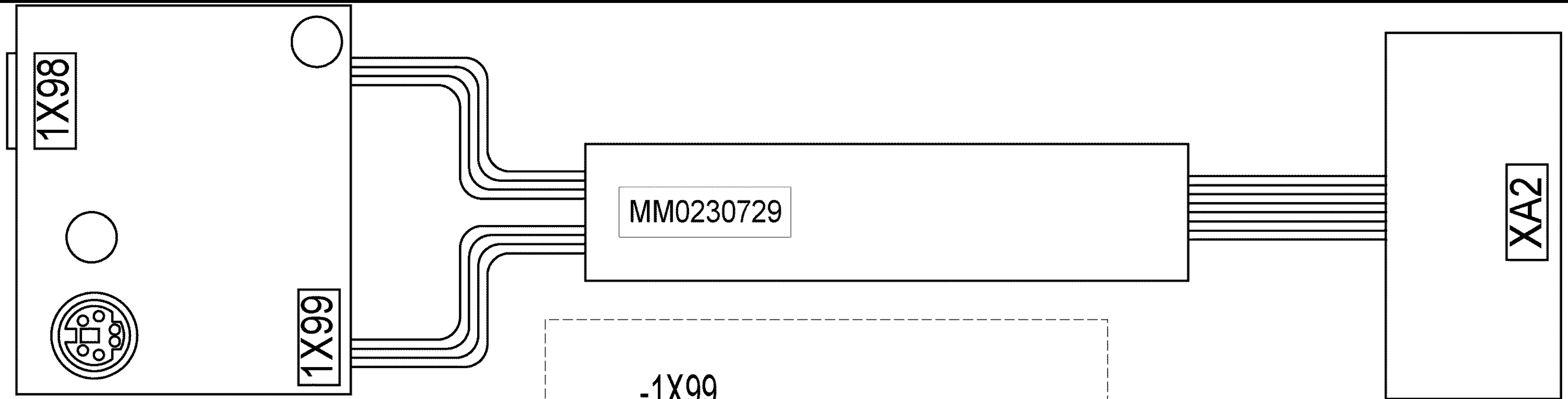
Pos.	Part No.	Description	Qty	Net Wght	Page
		STARTED ON THE PREVIOUS PAGE			79
-1K09	MM0273214	RELAY BASE	1	0.05	
	707302282500	RELAY	1	0.05	
-1K10	MM0273214	RELAY BASE	1	0.05	
	707302282500	RELAY	1	0.05	
-1K11	MM0273214	RELAY BASE	1	0.05	
	707302282500	RELAY	1	0.05	
-1K12	N05256315	TIME RELAY	1	0.075	
-1K13	MM0273214	RELAY BASE	1	0.05	
	707302282500	RELAY	1	0.05	
-1K14	MM0273214	RELAY BASE	1	0.05	
	707302282500	RELAY	1	0.05	
-1K15	MM0273214	RELAY BASE	1	0.05	
	707302282500	RELAY	1	0.05	
-1K16	MM0273214	RELAY BASE	1	0.05	
	707302282500	RELAY	1	0.05	
-1K20	807302340000	RECTIFIER DIODE	1	0.01	
	707301294900	RELAY	1	0.05	
-1S02	N05227128	KEY SWITCH	1	0.1	
-1S05	MM0273202	CONTACT ELEMENT	1	0.05	
	N05256540	SWITCH	1	0.01	
-1S06	N05256382	PUSH BUTTON	1	0.009	
-1S07	MM0273202	CONTACT ELEMENT	1	0.05	
-1S08	N05222003	EMERGENCY STOP SWITCH	1	0.064	
-1S11	MM0273202	CONTACT ELEMENT	1	0.05	
	N05256540	SWITCH	1	0.01	
-1S13	N05256382	PUSH BUTTON	1	0.009	
-1S14	N05256382	PUSH BUTTON	1	0.009	
-1S15	MM0273202	CONTACT ELEMENT	1	0.05	
-1S16	MM0273202	CONTACT ELEMENT	1	0.05	
	N05256540	SWITCH	1	0.01	
-1S21	MM0219537	SAFETY SWITCH	1	0.15	
-1X01	N11449659	SOCKET	1	0.05	
-1X03	N11449932	SOCKET	1	0.15	
-1X09	N11449659	SOCKET	1	0.05	
-1X1	N05256418	TERMINAL BLOCK	226	0.00846	
	N05256951	TERMINAL BLOCK	8	0.01232	
	N05255715	CASE	1	15	
-1X11	N11449655	SOCKET	1	.01	
-1X13	N11449932	SOCKET	1	0.15	
-1X17	N11449655	SOCKET	1	.01	
		CONTINUES ON THE NEXT PAGE			79-3



Rev. 0	No. of	Date	Name	Description	Relay 1K16 and terminals 242...246 added 20.4.2009	Location
Used on	ST272, STX58		Work no	Project MM0270761_0		
Module	Drawn	28.02.2009	TOSA	Approved for production	23.4.2009	JKT
Mass	Checked	23/04/09	JKT	for serial production	Drawing No	
Type	EH				Title	
				ELECTRIC CENTRE		Page/Of pages
				STXXX .TIER3		1/1

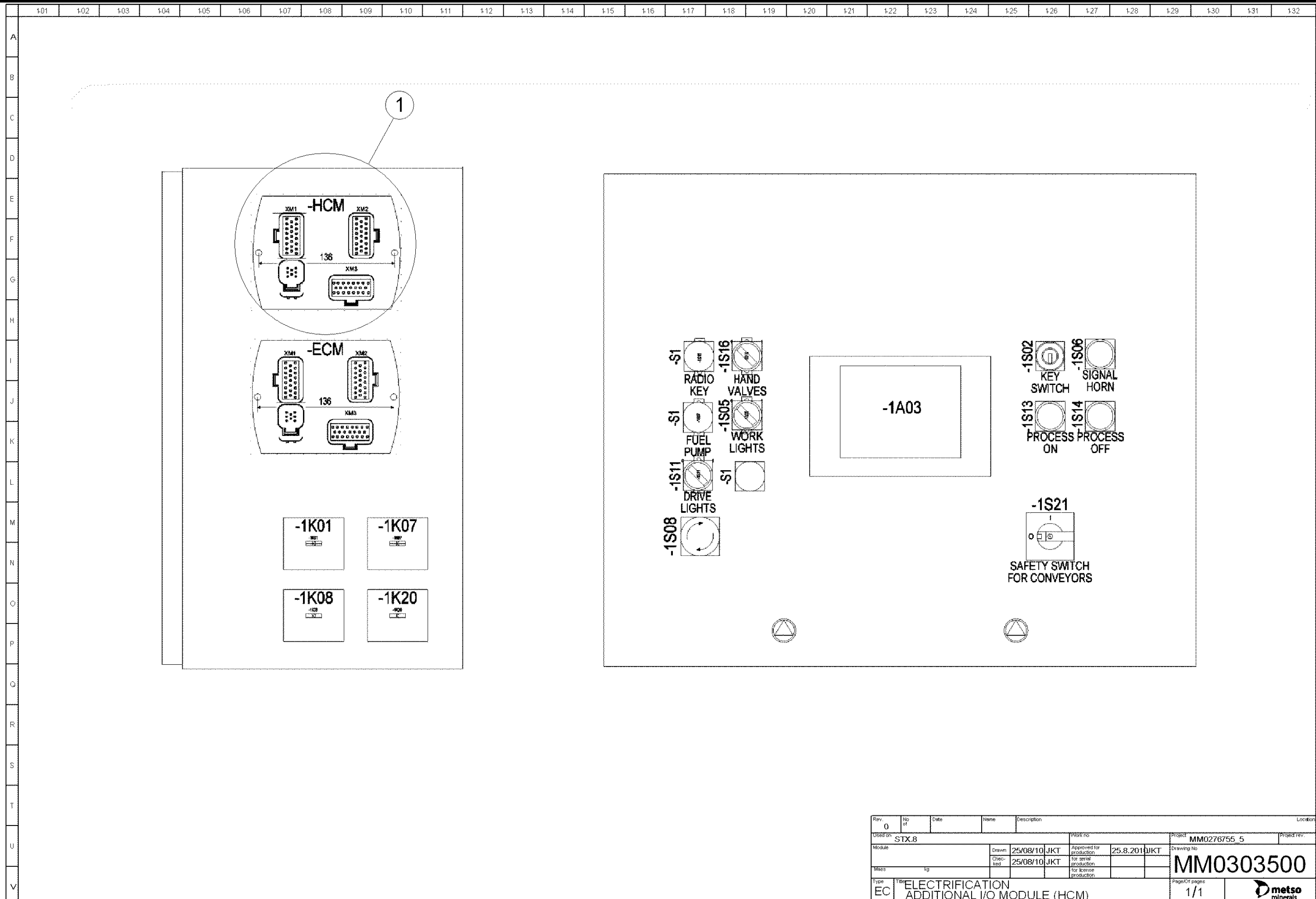


Pos.	Part No.	Description	Qty	Net Wght	Page
		STARTED ON THE PREVIOUS PAGE			79-2
-1X19	N11449657	SOCKET	1	0.05	
-1X21	N11449657	SOCKET	1	0.05	
-1X23	N11449932	SOCKET	1	0.15	
-1X37	N11449657	SOCKET	1	0.05	
-1X39	N11449657	SOCKET	1	0.05	
-1X43	N11449657	SOCKET	1	0.05	
-1X70	707302186000	PLUG POINT	1	0.2	
-ECM	N02495179	PROGRAMMABLE LOGIC CONTROLLER	1	0.7	
-ECM_XM1	N11449748	PLUG	1	0.001	
-ECM_XM2	N11449749	PLUG	1	.01	
-ECM_XM3	N11449747	PLUG	1	0.5	
-ECM_XM4	N11449750	PLUG	1	.01	
-HCM_XM1	N11449748	PLUG	1	0.001	
-HCM_XM2	N11449749	PLUG	1	.01	
-HCM_XM3	N11449747	PLUG	1	0.5	
-HCM_XM4	N11449750	PLUG	1	.01	
-RC1	931020	DC FILTER	1	0.1	
-RC2	931020	DC FILTER	1	0.1	
-RC3	931020	DC FILTER	1	0.1	
-RC4	931020	DC FILTER	1	0.1	
-S1	707301906800	TERMINAL PLUG	3	0.007	
-6	944962	RESISTOR	1		
-7	707701713510	GROMMET	4	.03	
-8	707701713530	GROMMET	2	.03	



Description

THIS PAGE HAS BEEN LEFT INTENTIONALLY BLANK

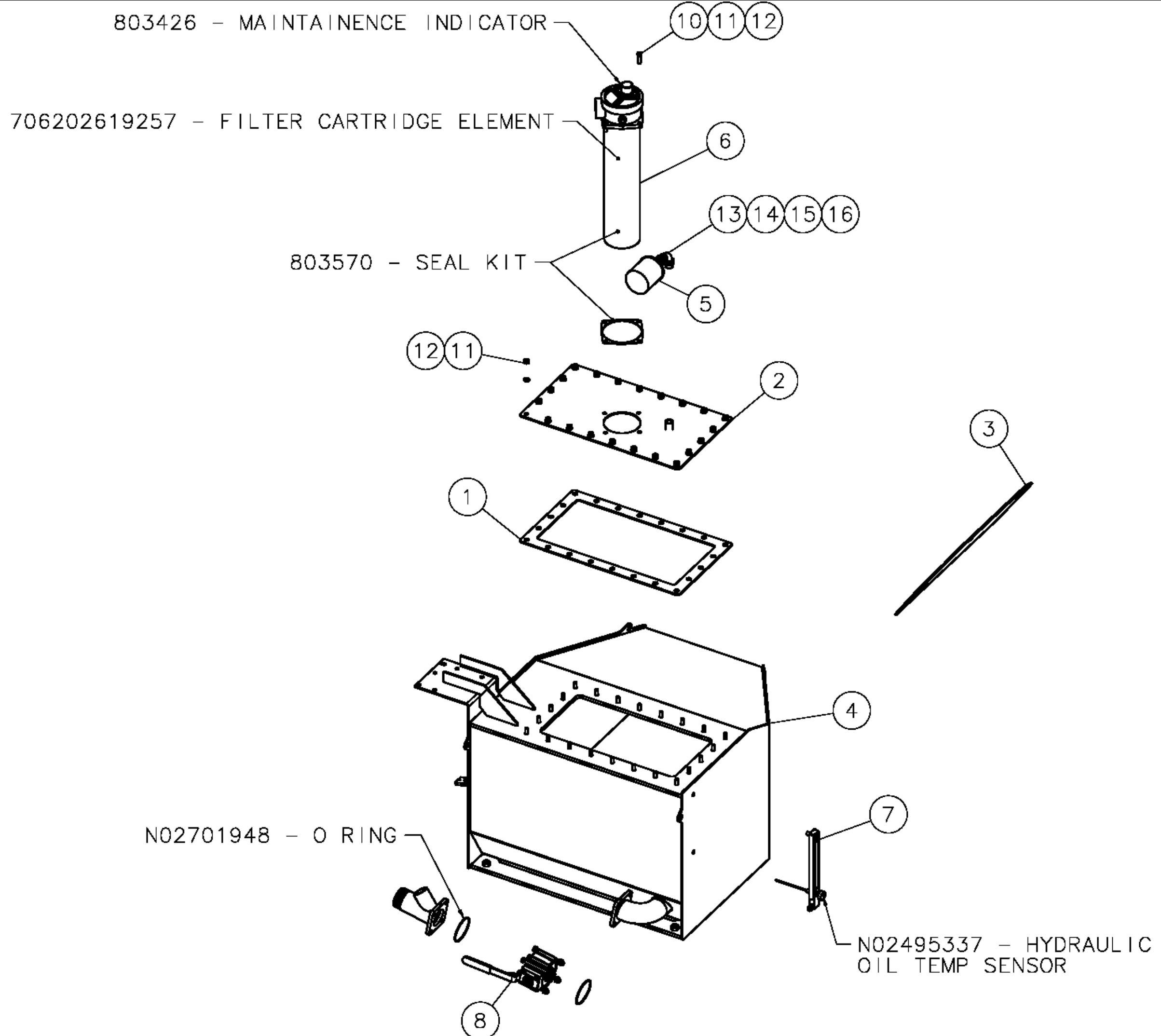


Rev.	No. of	Date	Name	Description	Location
0					
Used on	STX.8		Work no	Project MM0276755_5	
Module	Drawn	25/08/10	JKT	Approved for production	25.8.2010
Mass	Checked	25/08/10	JKT	for serial production	
Type	EC ELECTRIFICATION ADDITIONAL I/O MODULE (HCM)				for license production
Page/Of pages				1/1	

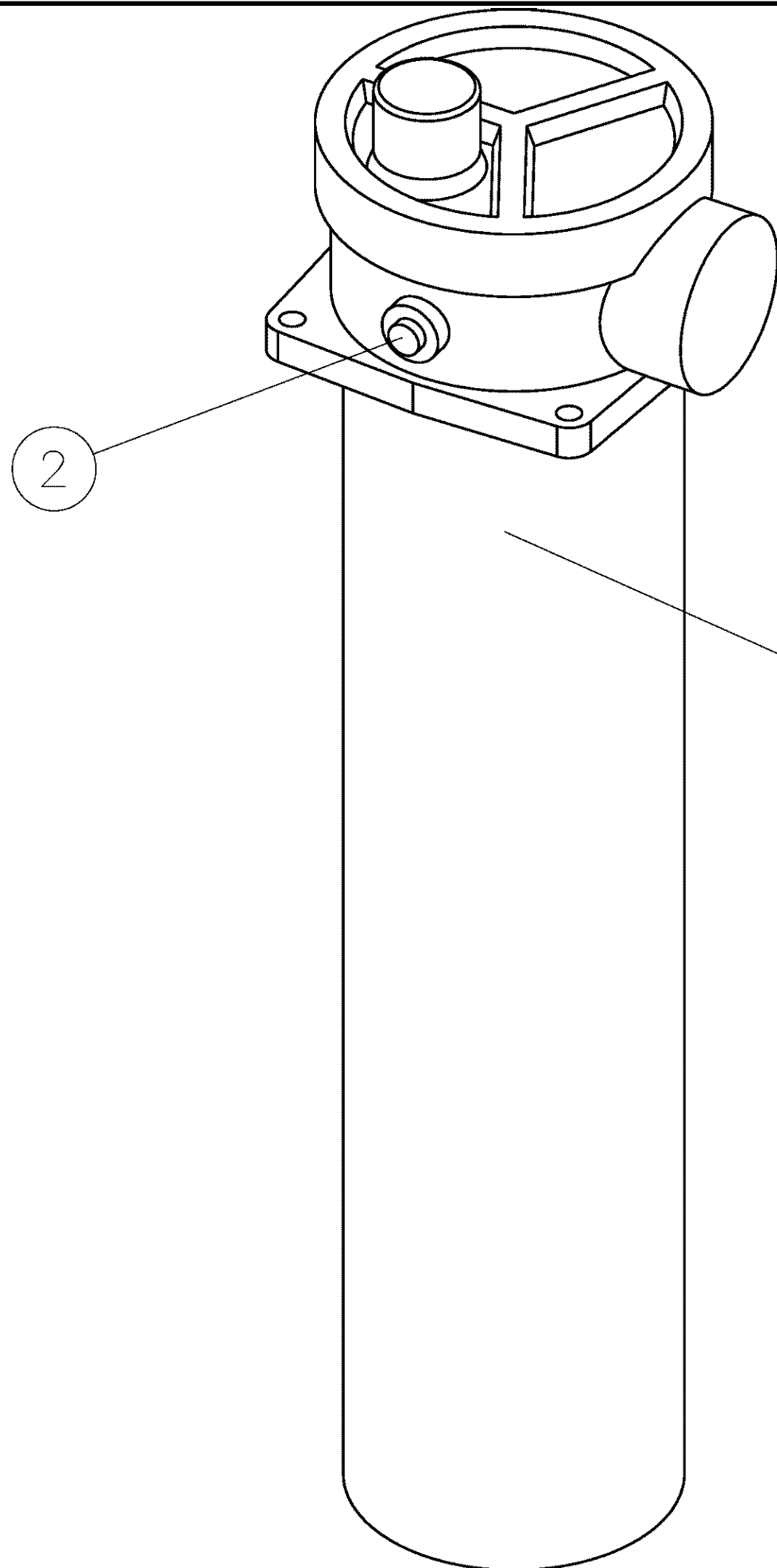


Lokotrack ST3.8 s/n 76292
MM0303500_0 ELECTRIFICATION

Pos.	Part No.	Description	Qty	Net Wght
1	N02495179	PROGRAMMABLE LOGIC CONTROLLER	1	0.7

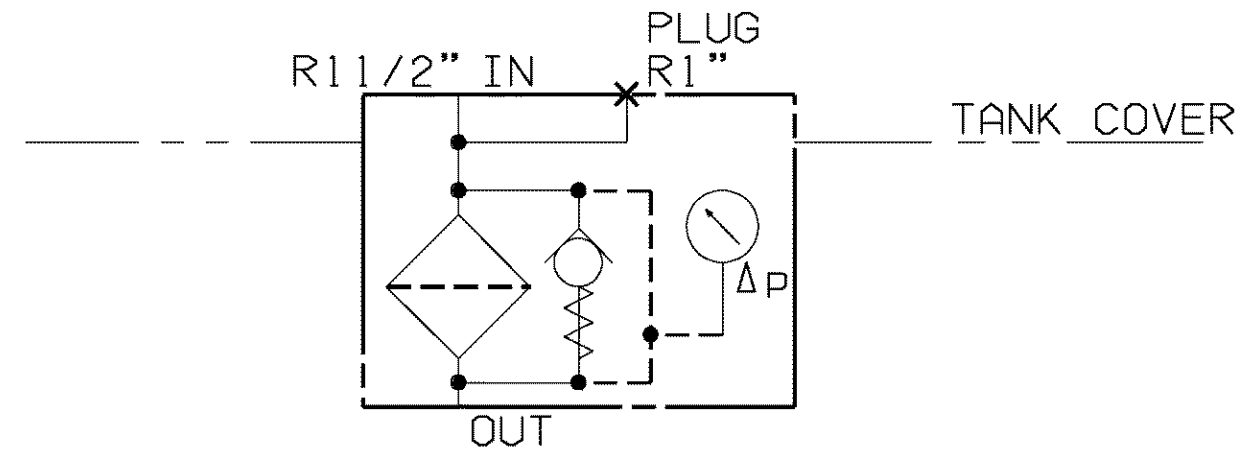


Pos.	Part No.	Description	Qty	Net Wght	Page
1	M08530	SEAL	1	0.5	
2	M08933	PLATE	1	9.51	
3	M08934	PLATE	1	12.75	
4	M08936	TANK WELDING	1	120	
5	N02445732	BREATHER	1	0.680	
6	499477	FILTER	1	6.1	83
7	706202740000	LEVEL SWITCH	1	0.3	
*	801937	THERMOMETER	1	0.02	
8	706203549100	BALL VALVE	1	4.3	
10	N01540158	CAP SCREW, HXGNL SOCKET HEAD	4	0.03	
11	N01570210	NUT, SELF-LOCKING	26	0.0051	
12	N01626510	PLAIN WASHER	26	0.1	
13	N02411922	HYDRAULIC ADAPTER	1		
14	N02411980	HYDRAULIC ADAPTER	1	0.136	
15	N02411981	HYDRAULIC ADAPTER	1		
16	N02701938	SEAL	1	.005	
17	MM0278525	PIPE ASSEMBLY	1	2.6	



FILTER

- FILLING PLUG IN THE COVER (R1")

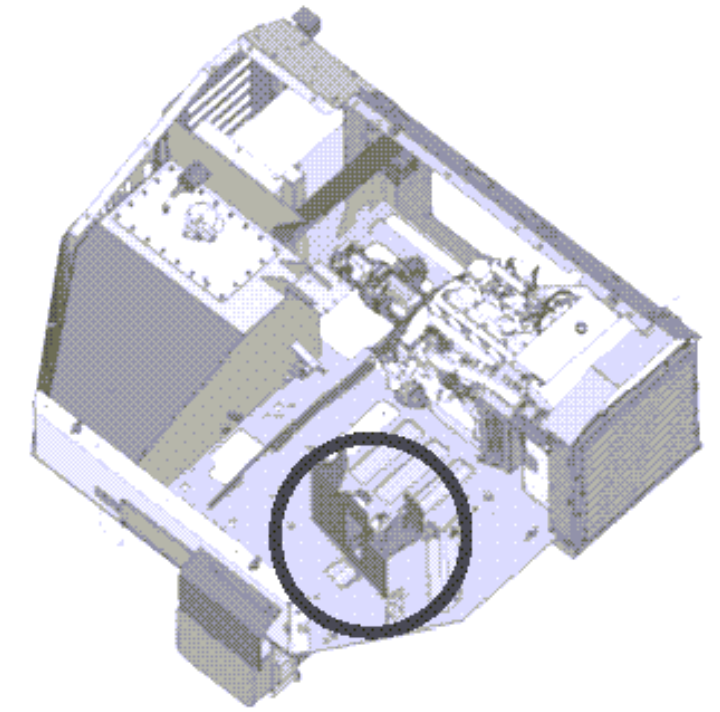


POS.	ITEM	DESC.
1	706202619257	FILTER CARTRIDGE
2	803426	PLUG FOR INDICATOR
3	803570	SEAL KIT

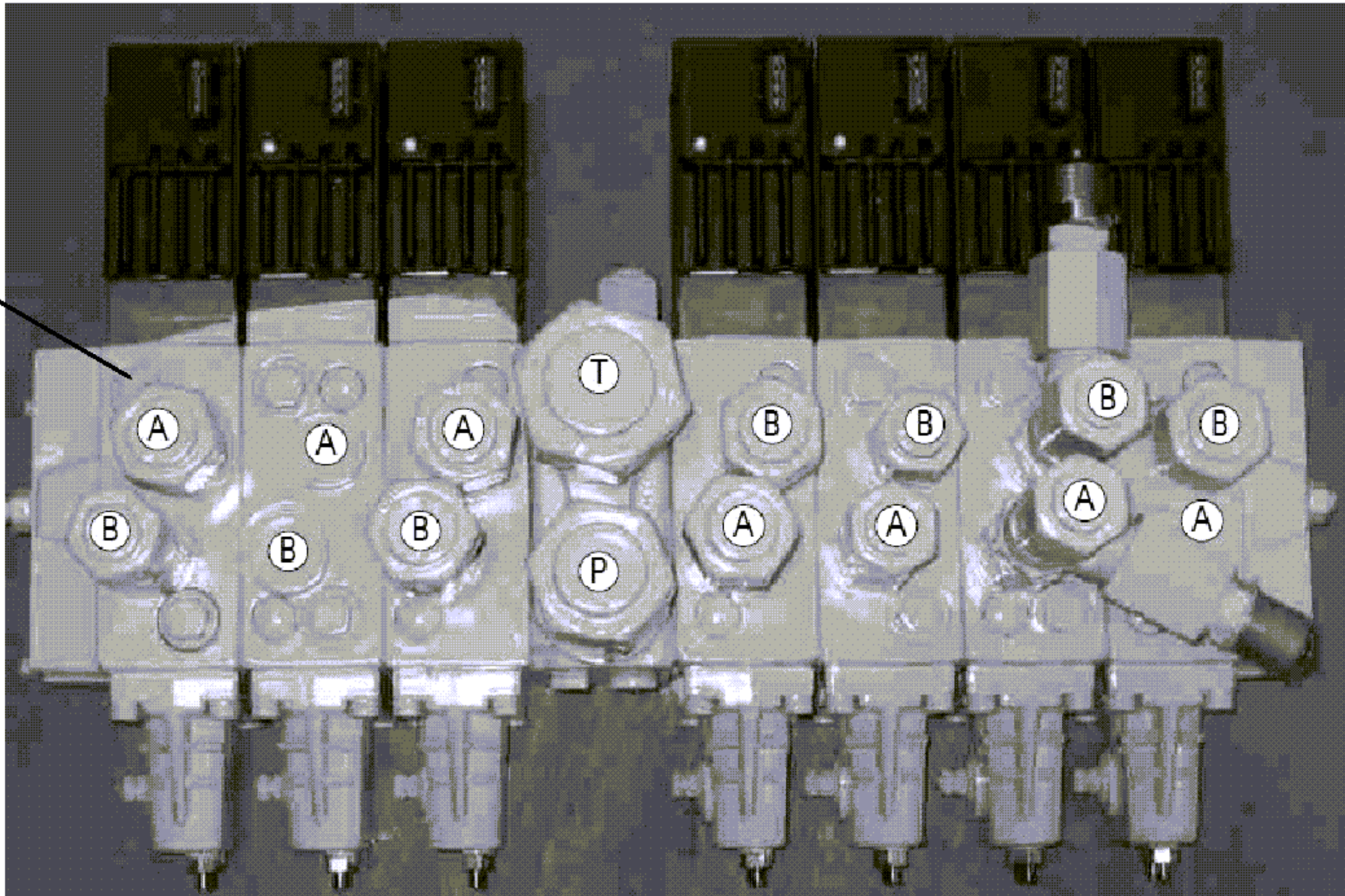


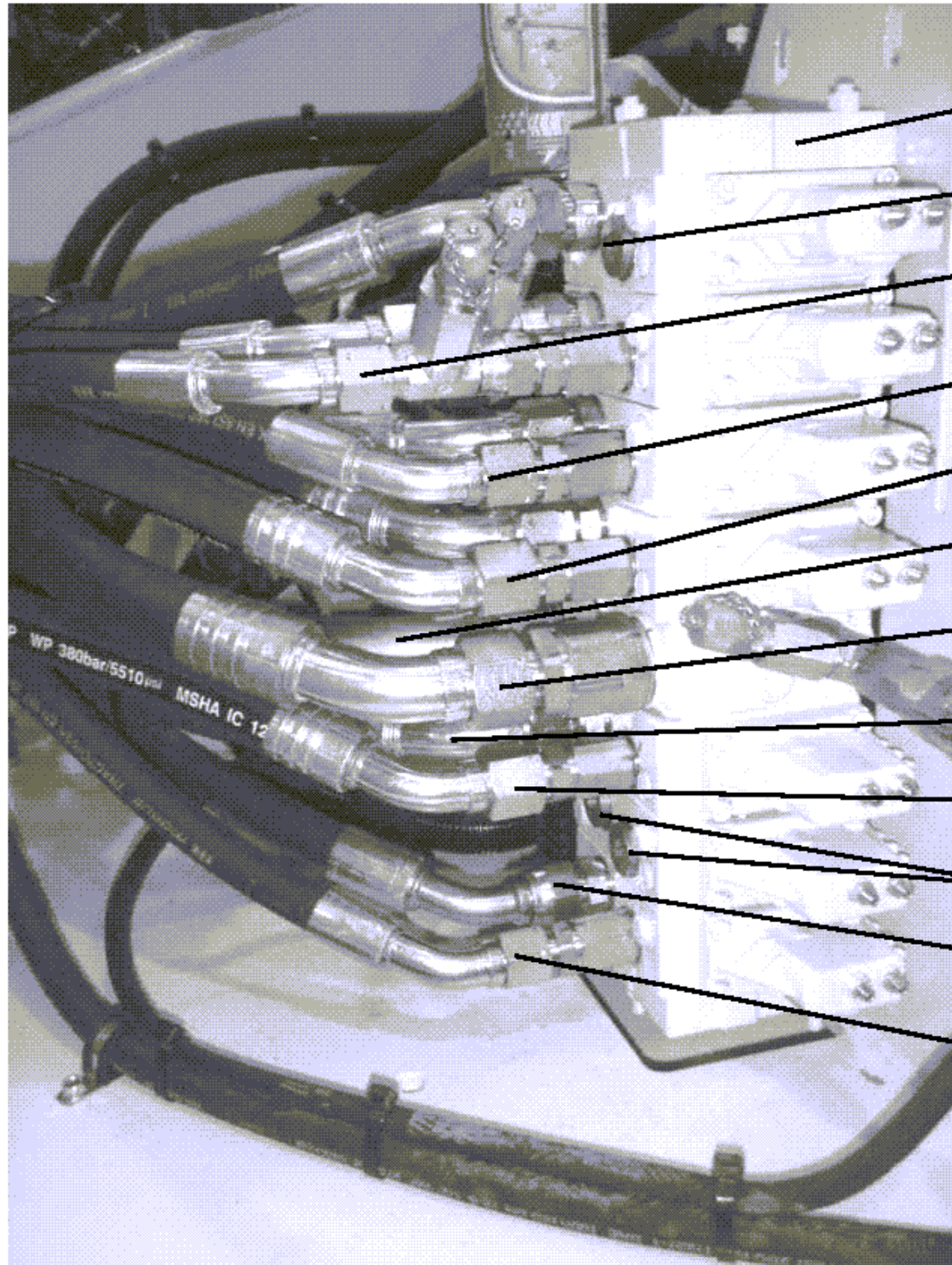
Lokotrack ST3.8 s/n 76292
499477_- FILTER

Pos.	Part No.	Description	Qty
0	MM0203612	SPARE PART KIT	1



126





5 15 108

111

39 56 57 61 62 63 113

41 56 57 113

43 56 58 113

19 51

44 55 59 112

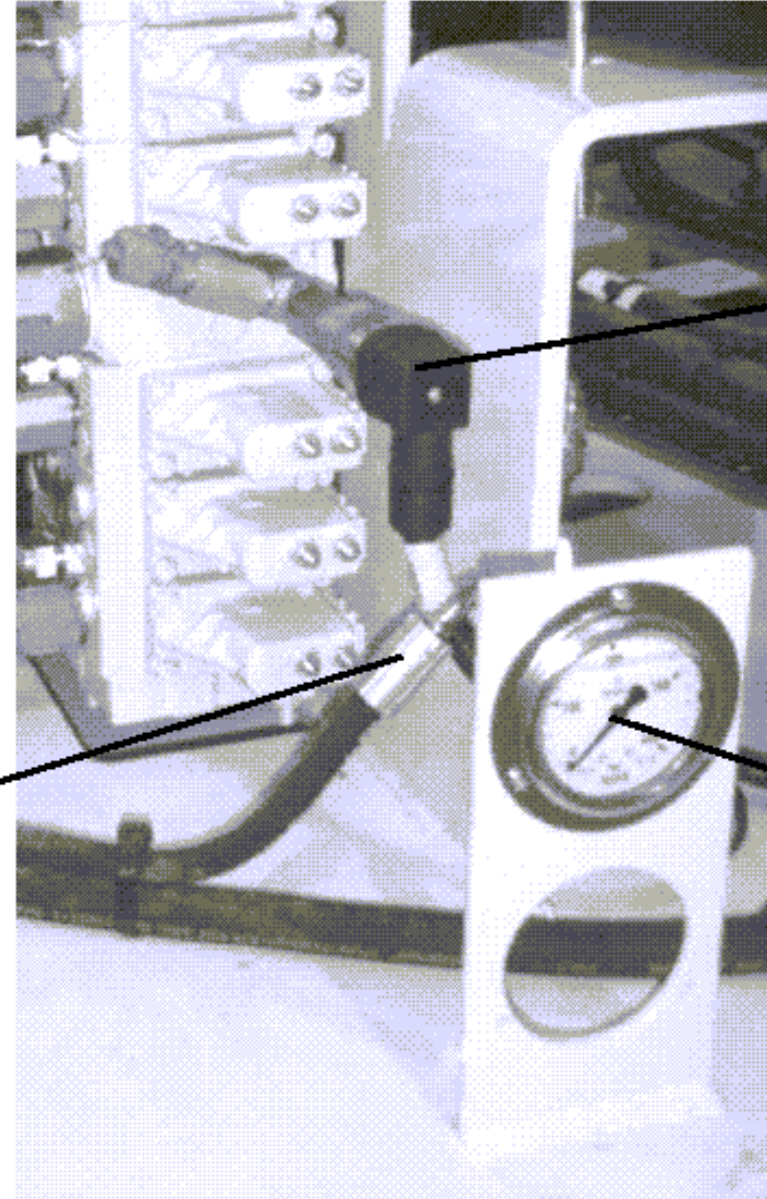
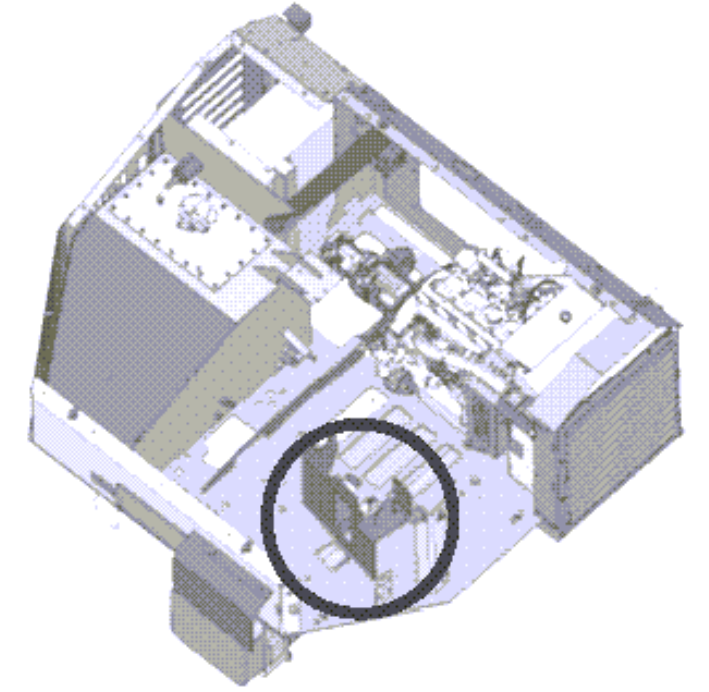
23 58

22 56 58 113

111

45 58

46 56 57 113



18

10

63

64

65

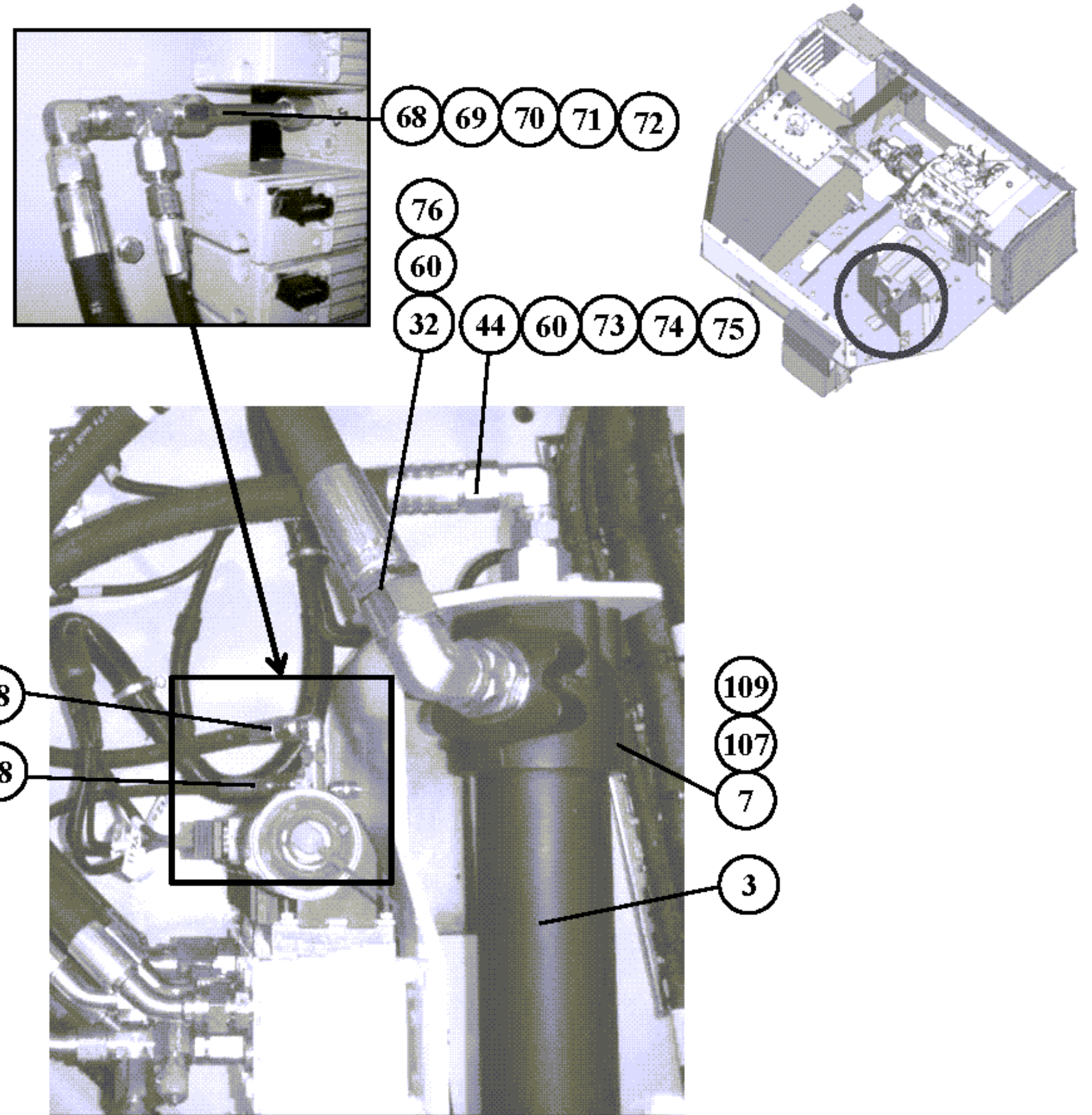
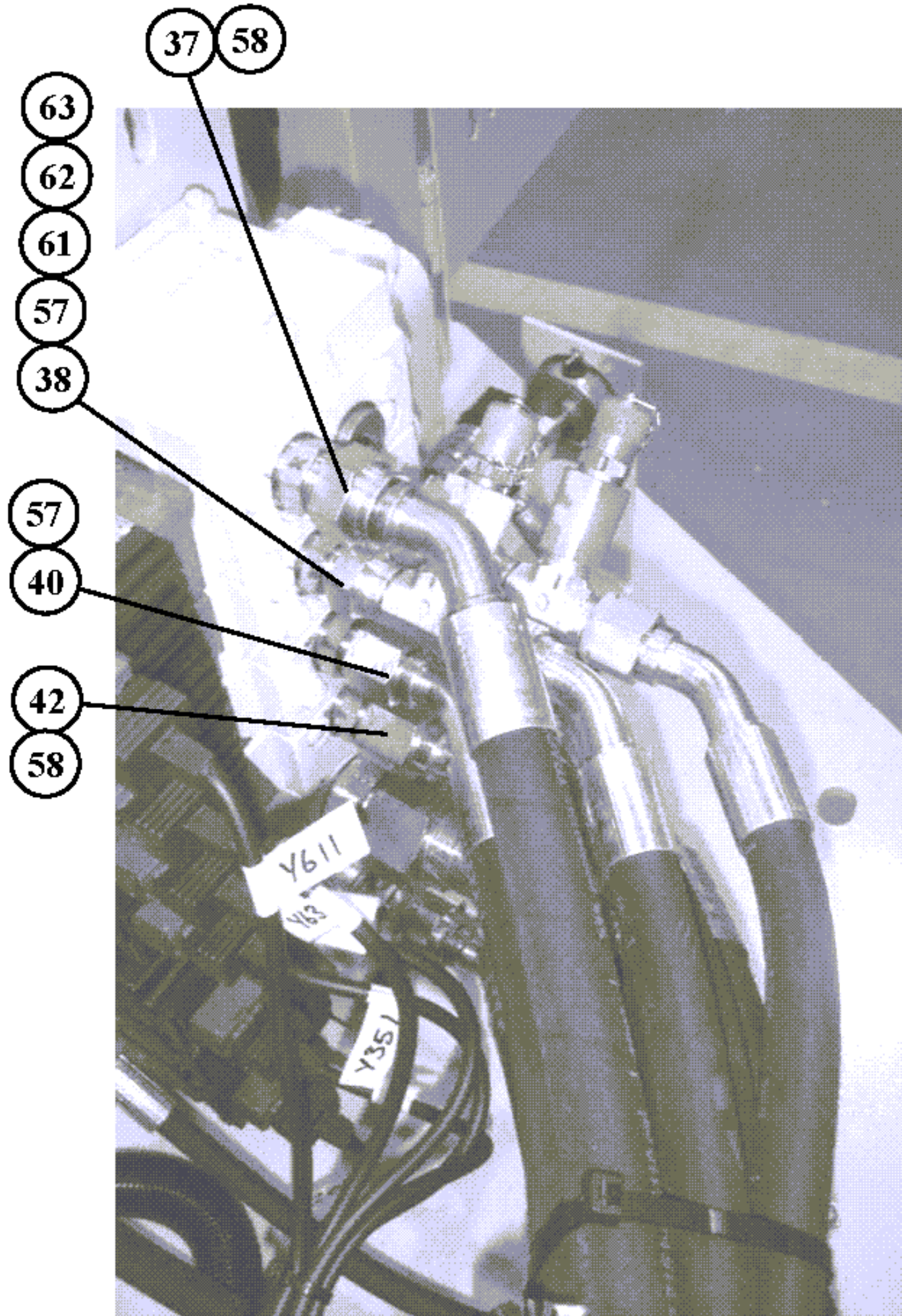
66

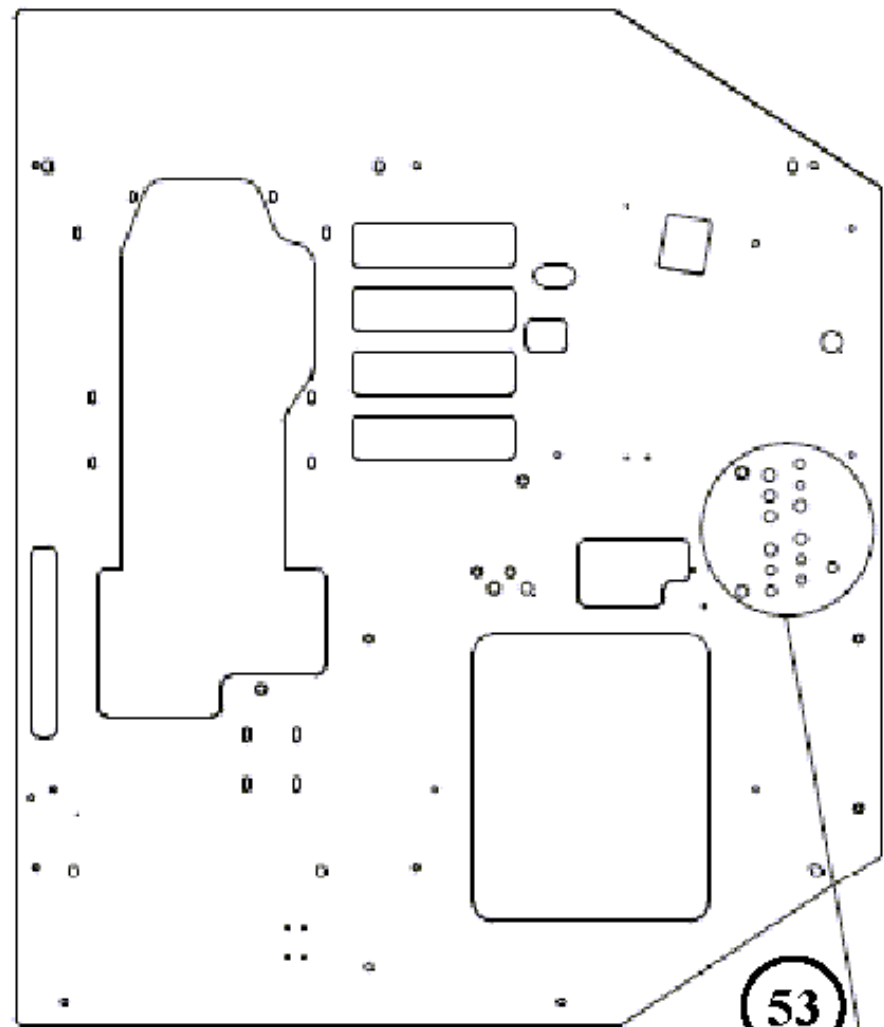
4

67

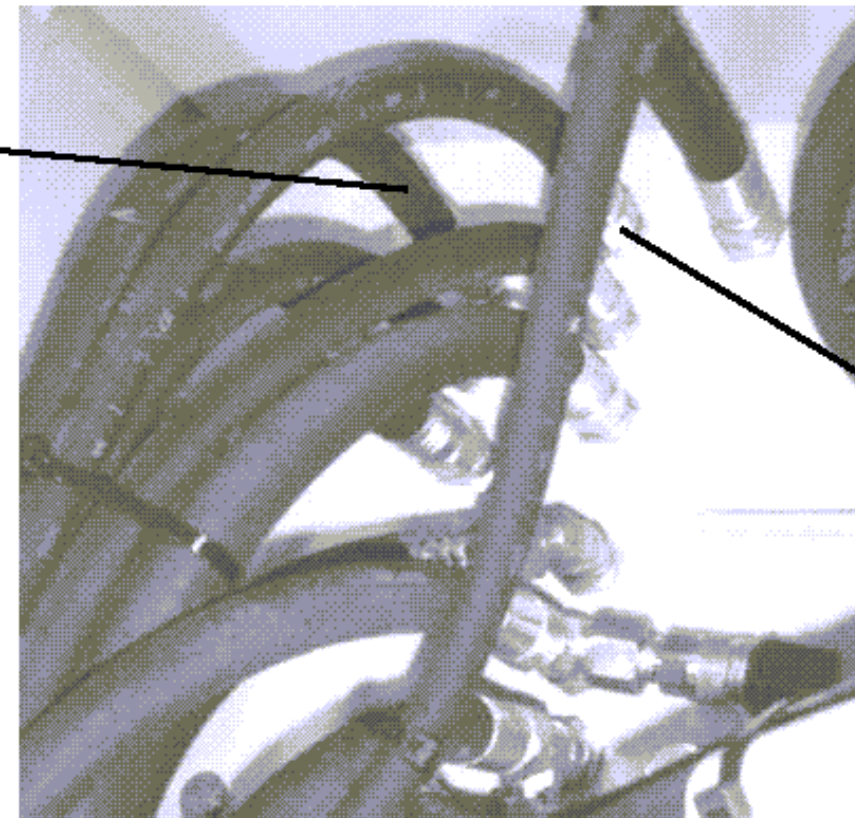
104

105

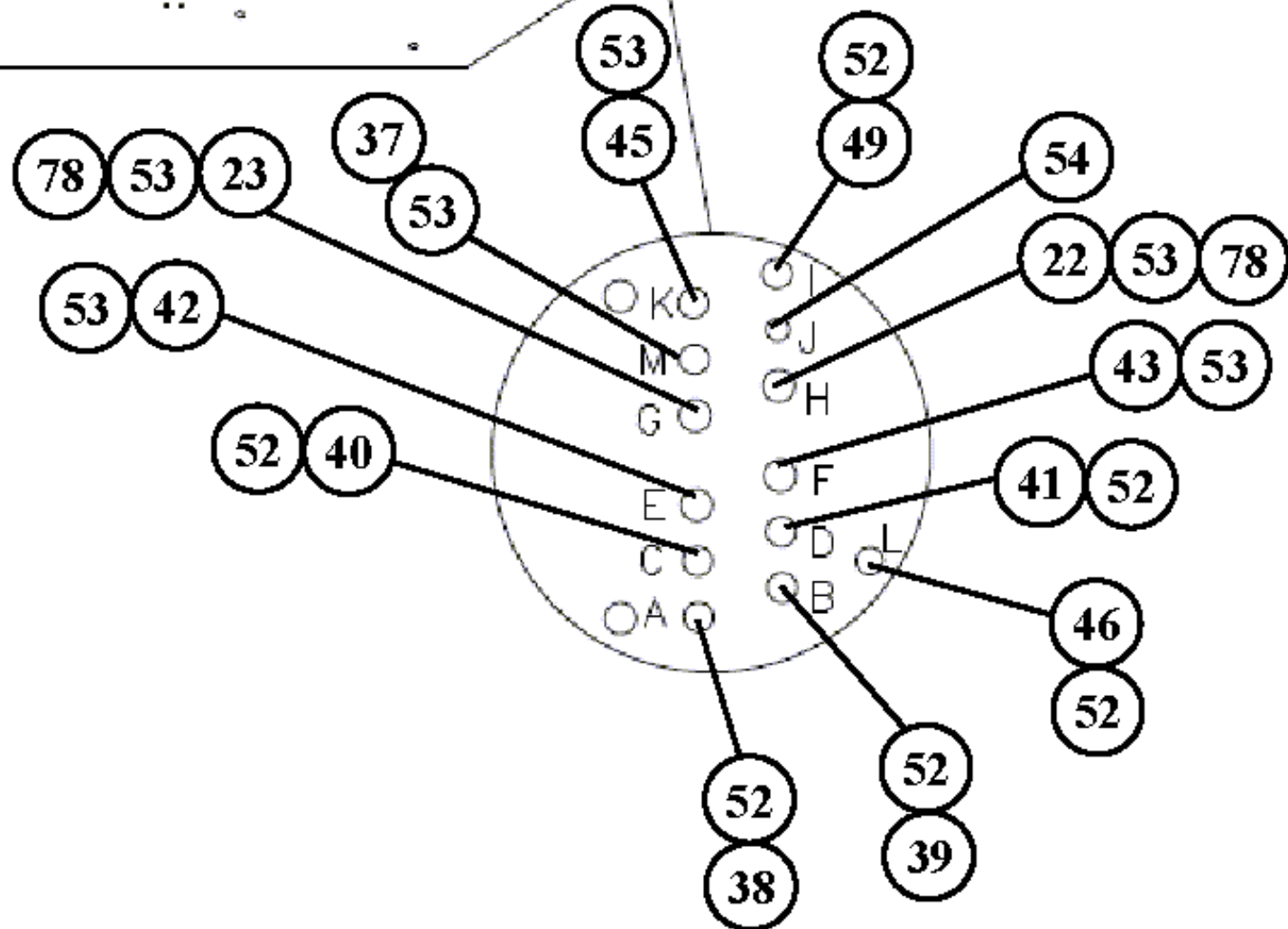
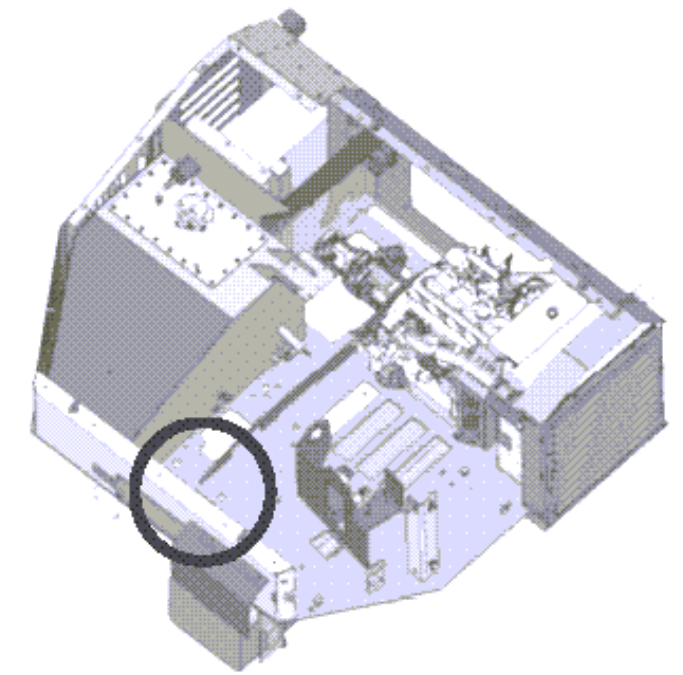




39

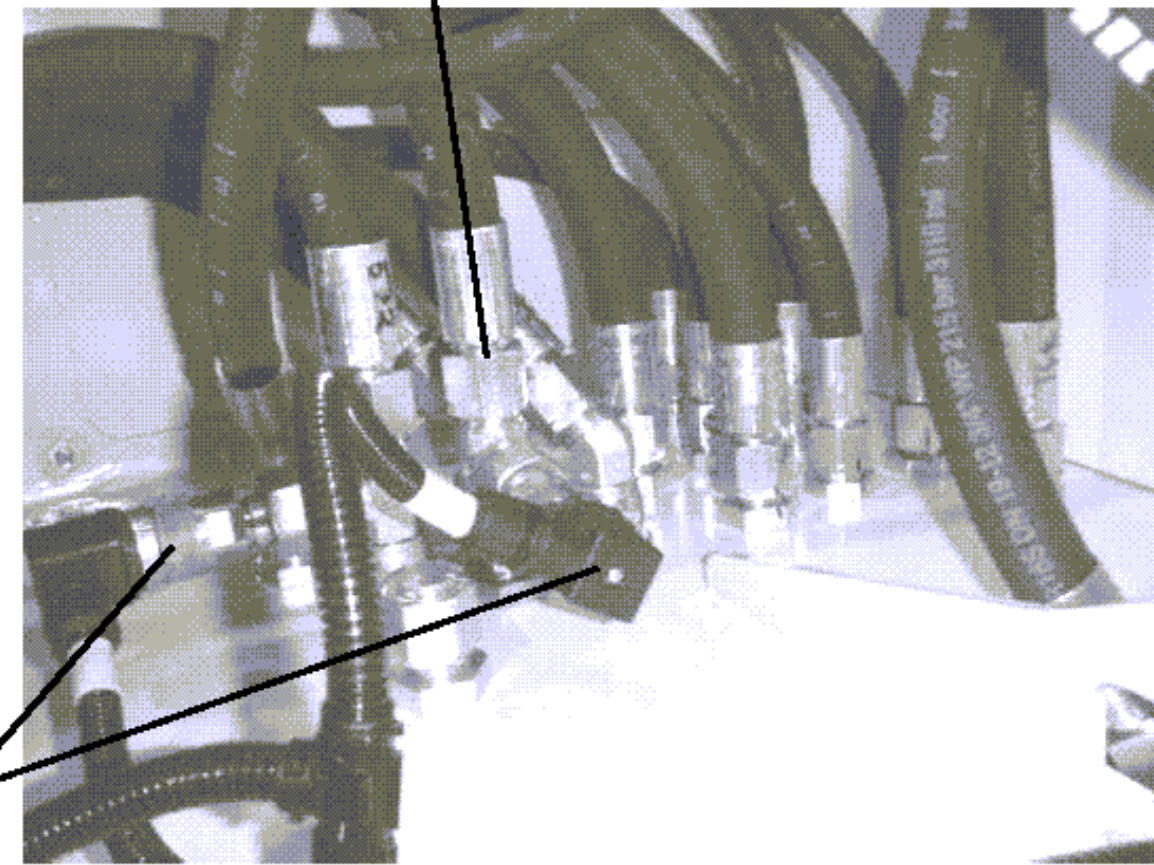


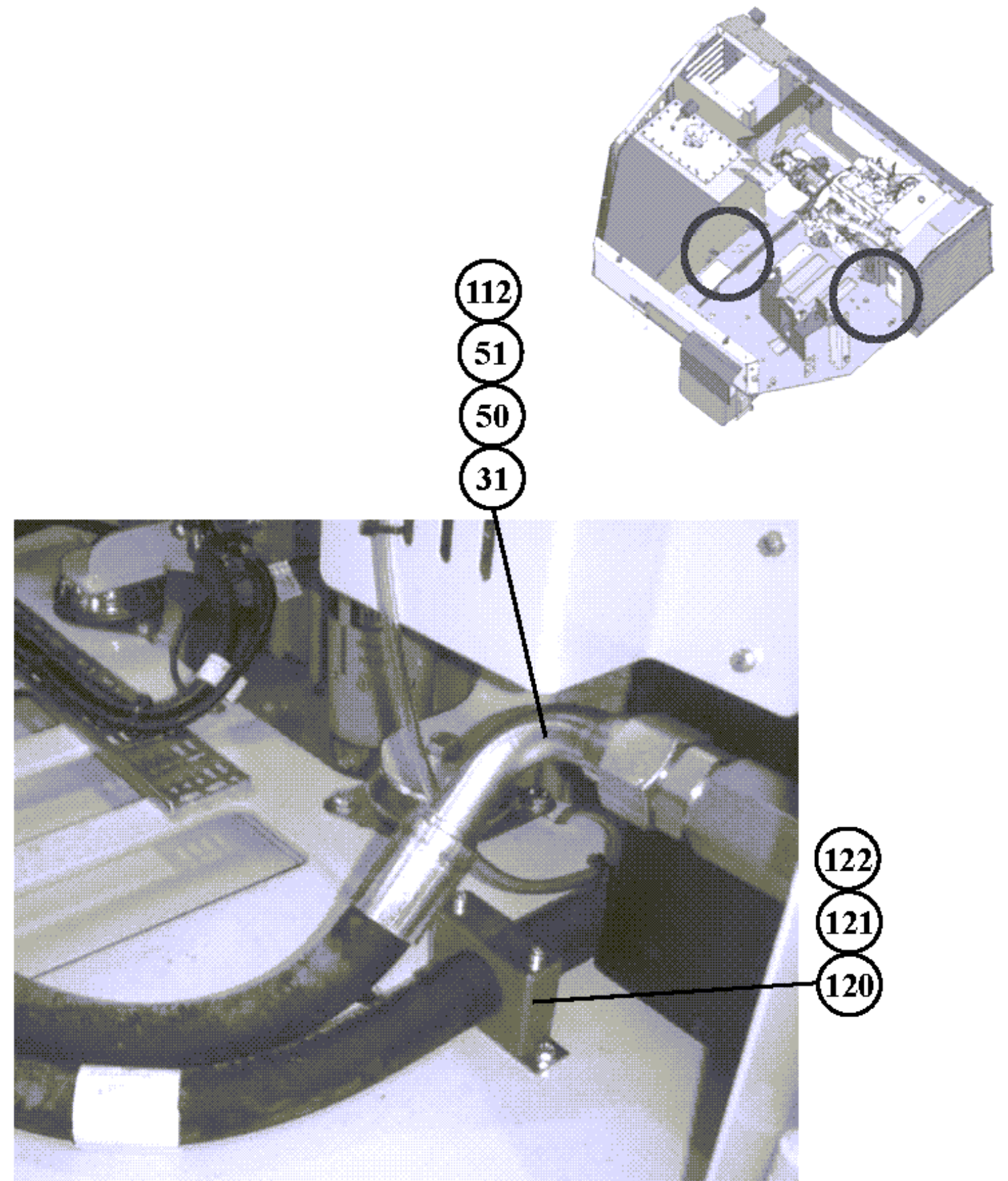
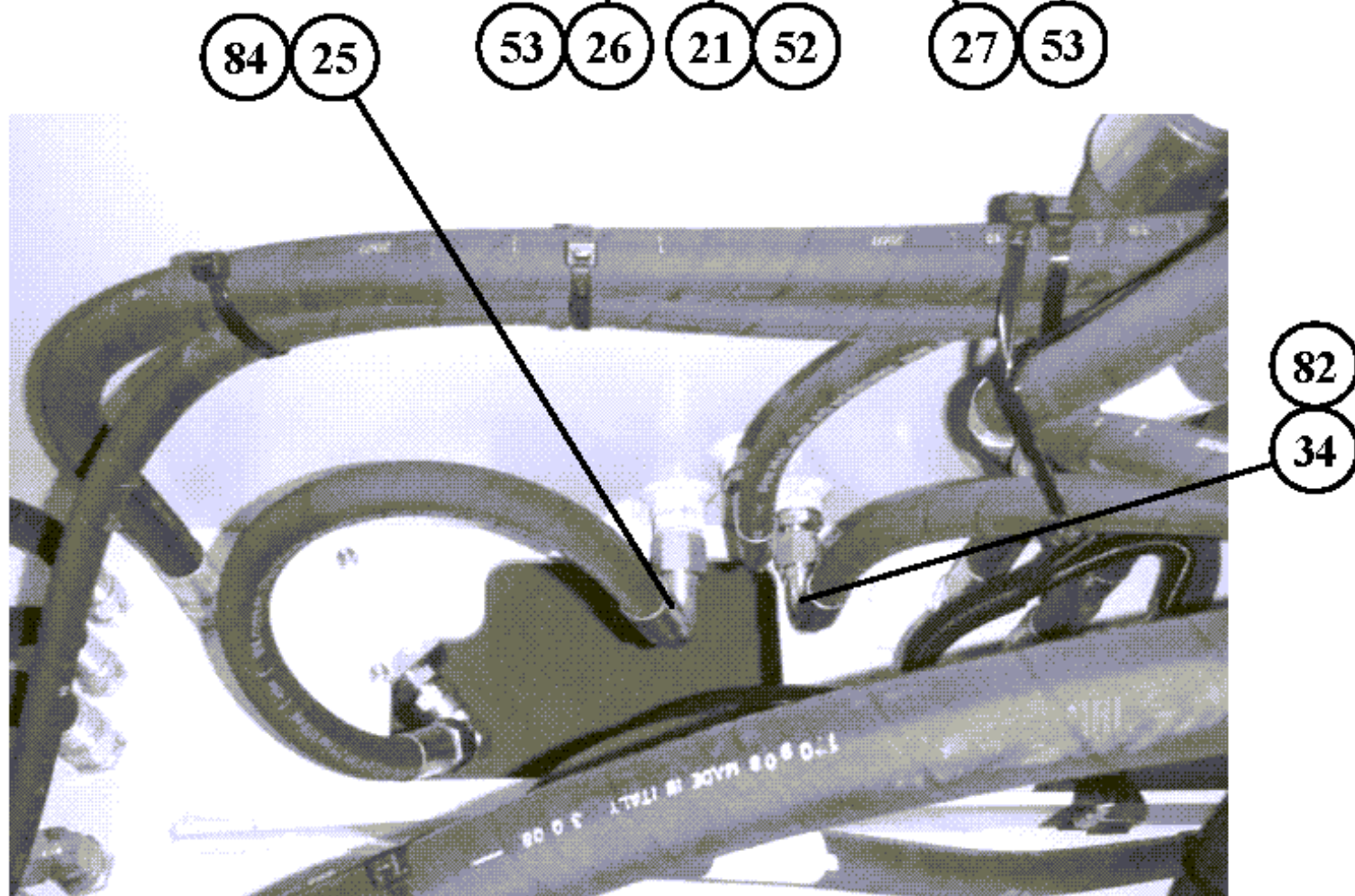
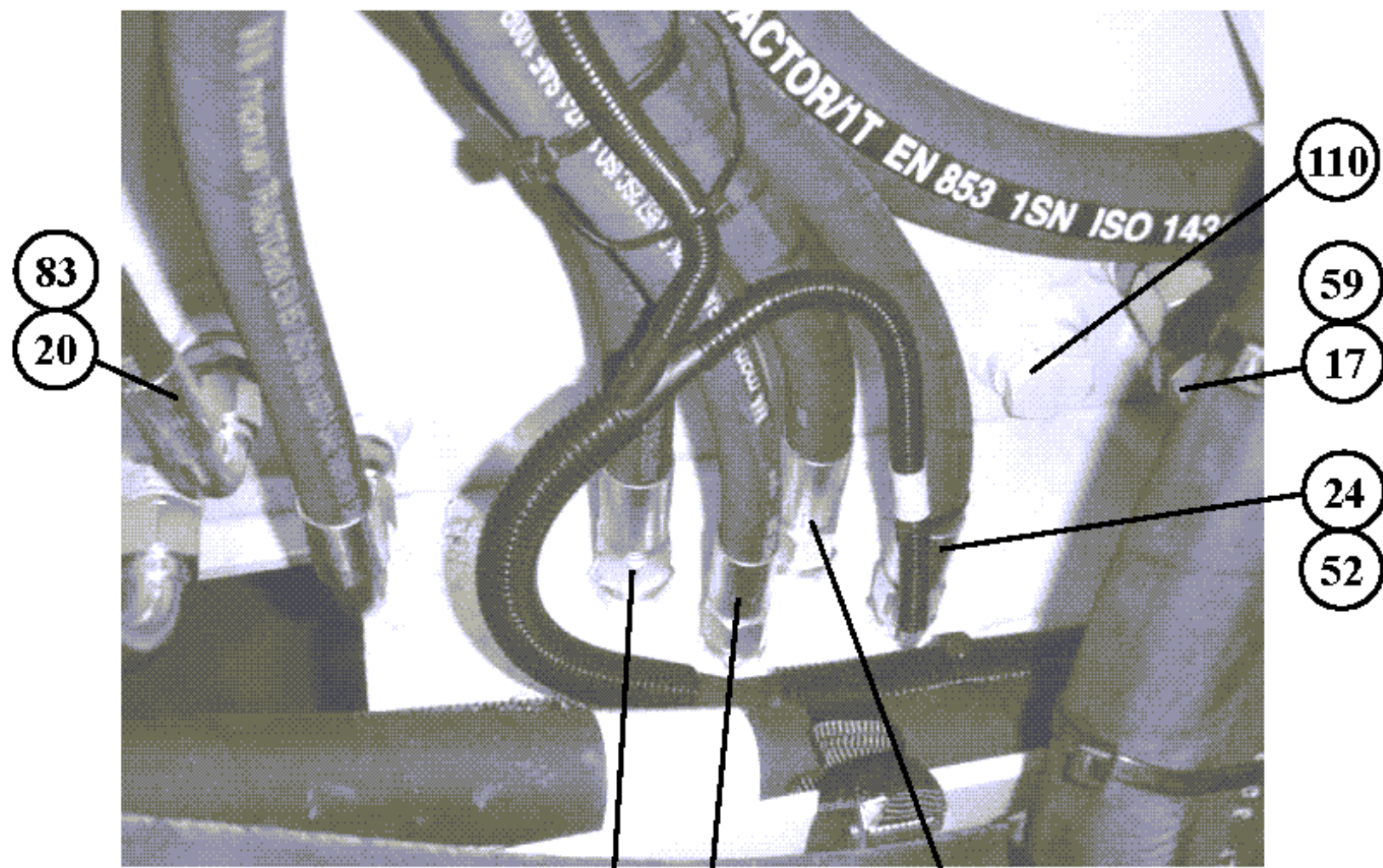
38

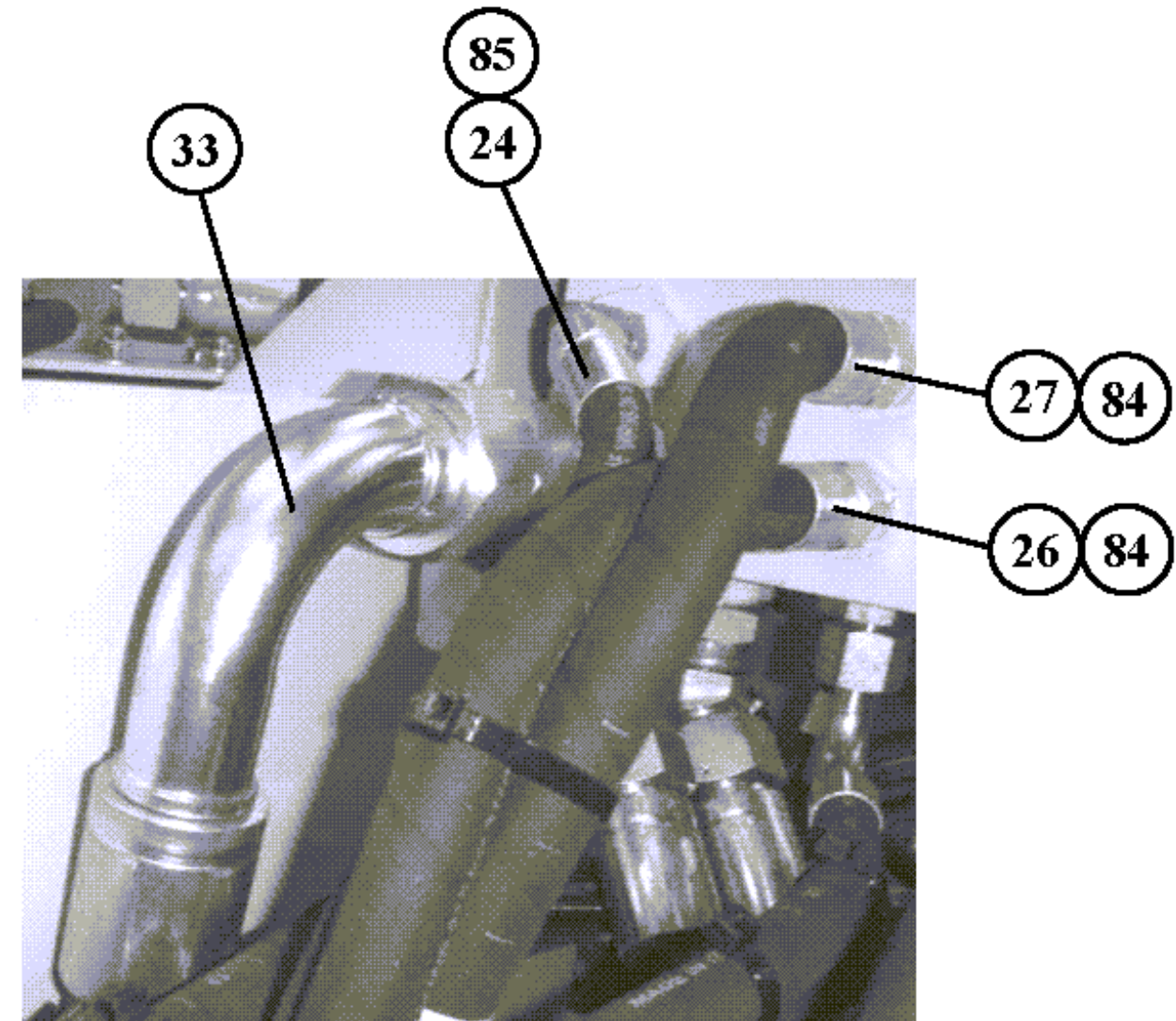
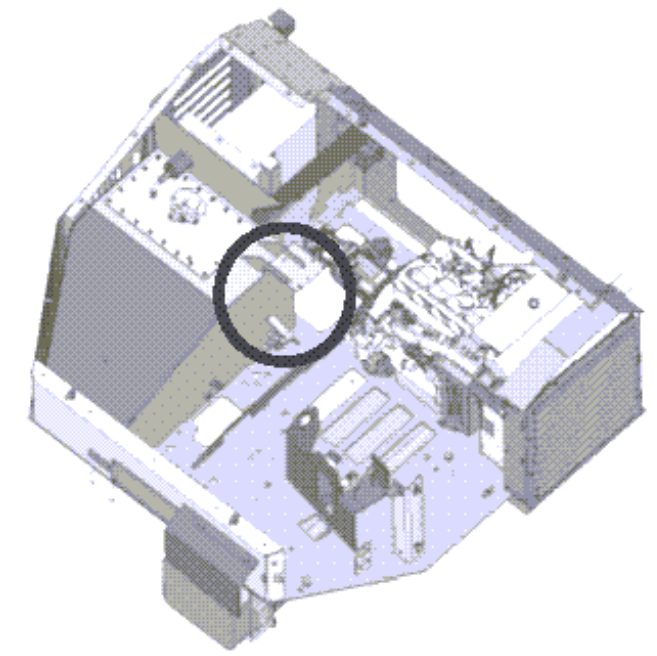
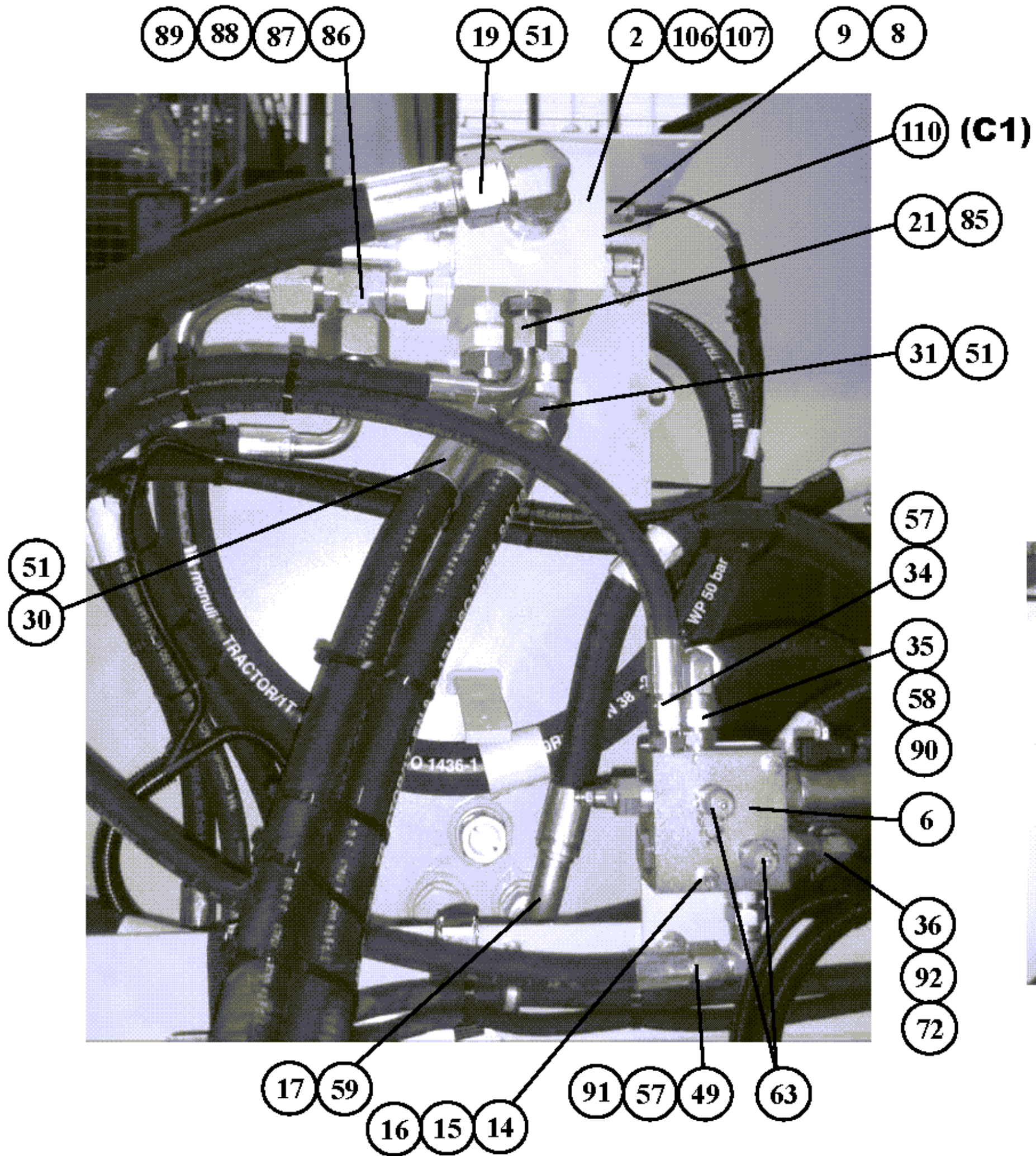


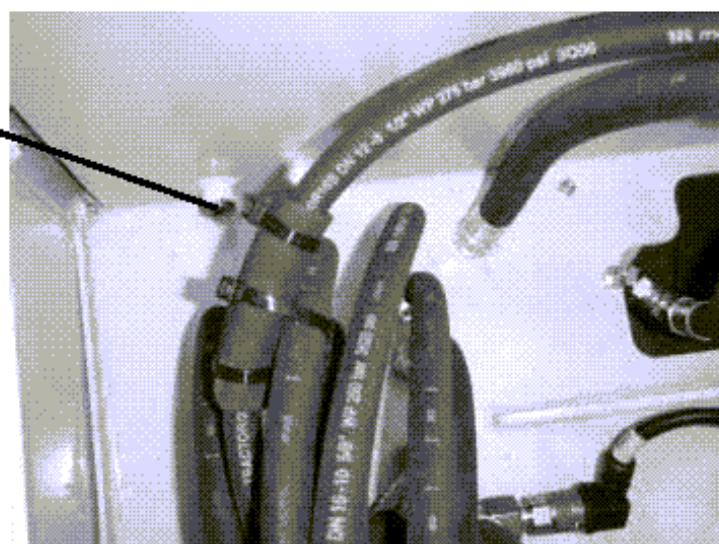
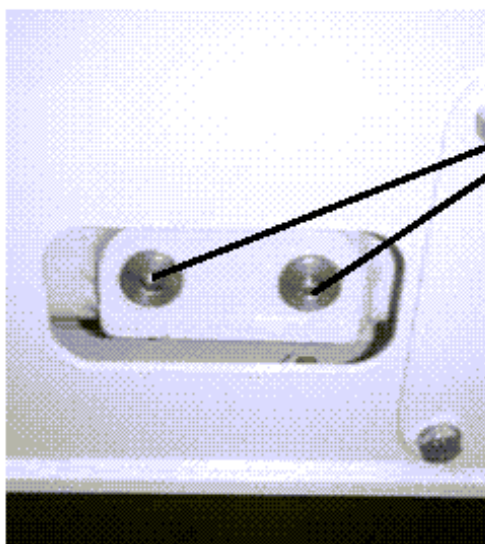
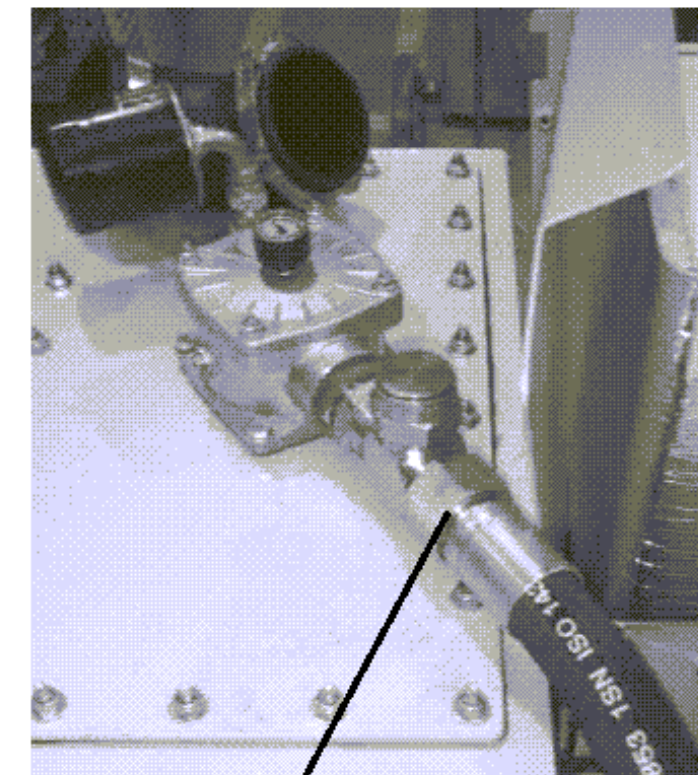
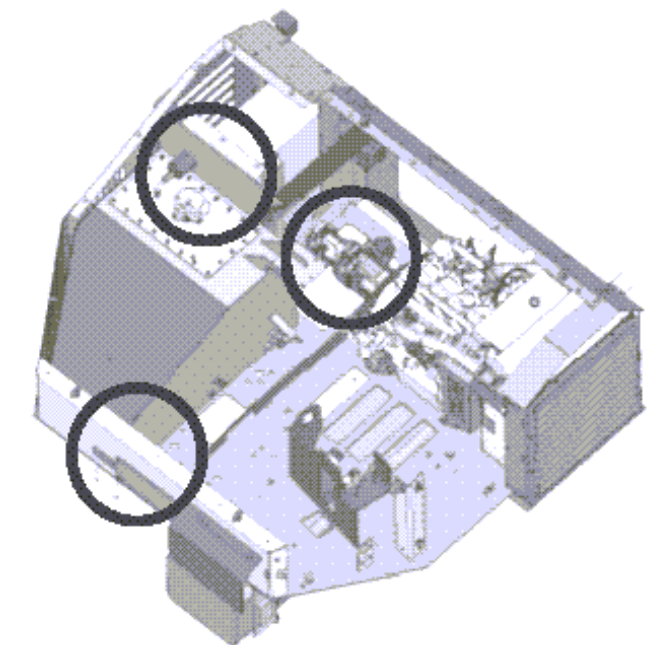
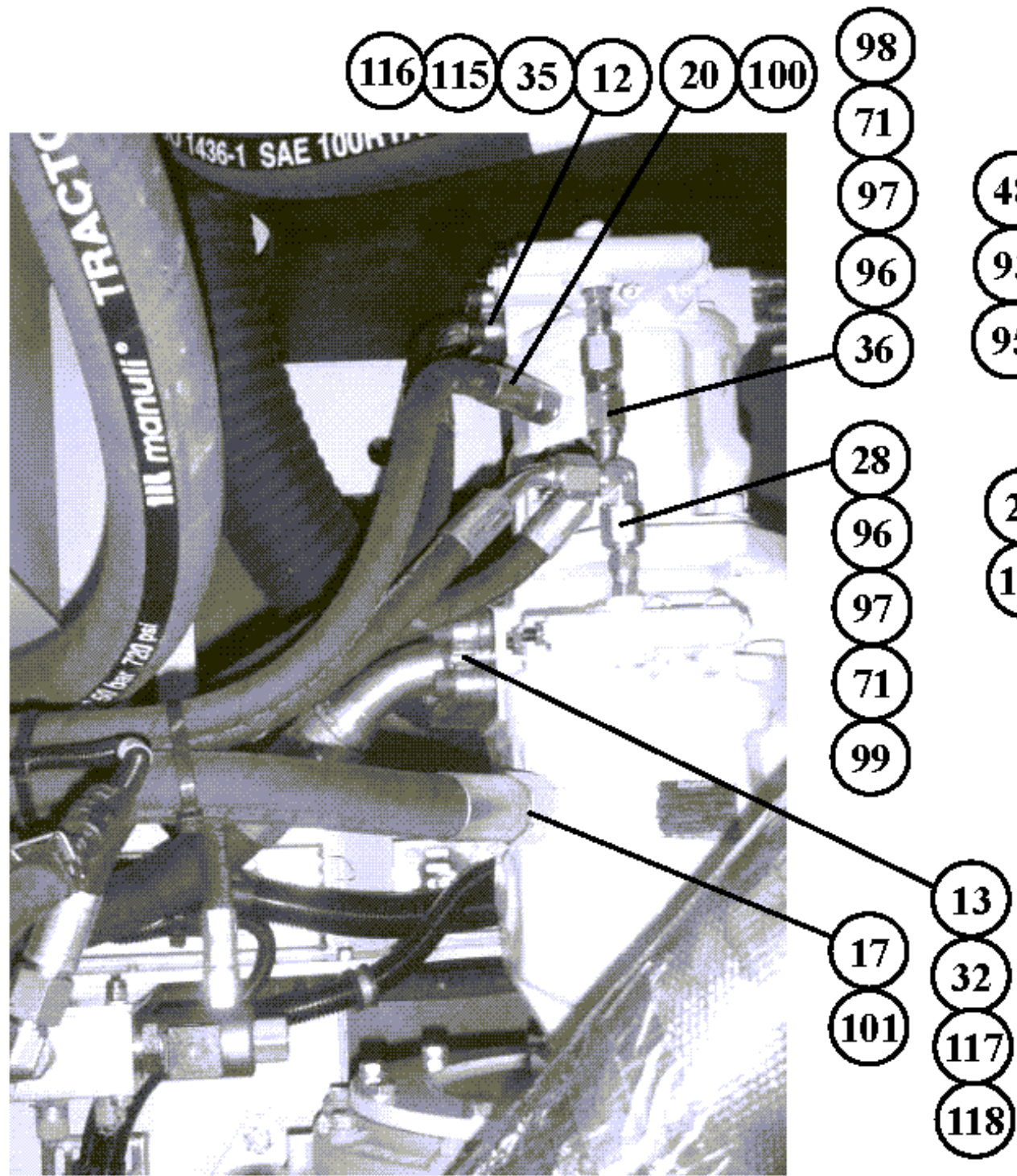
37

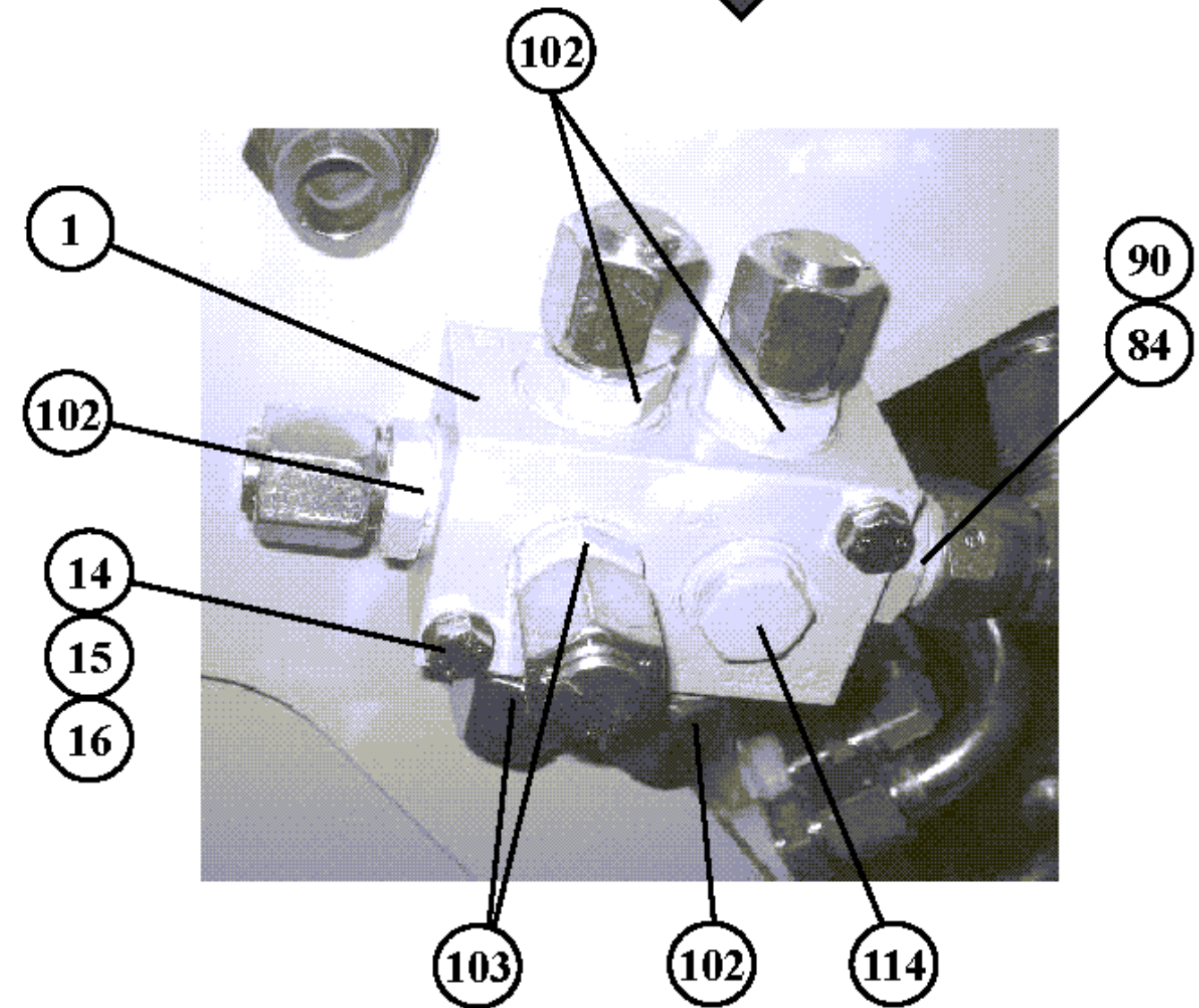
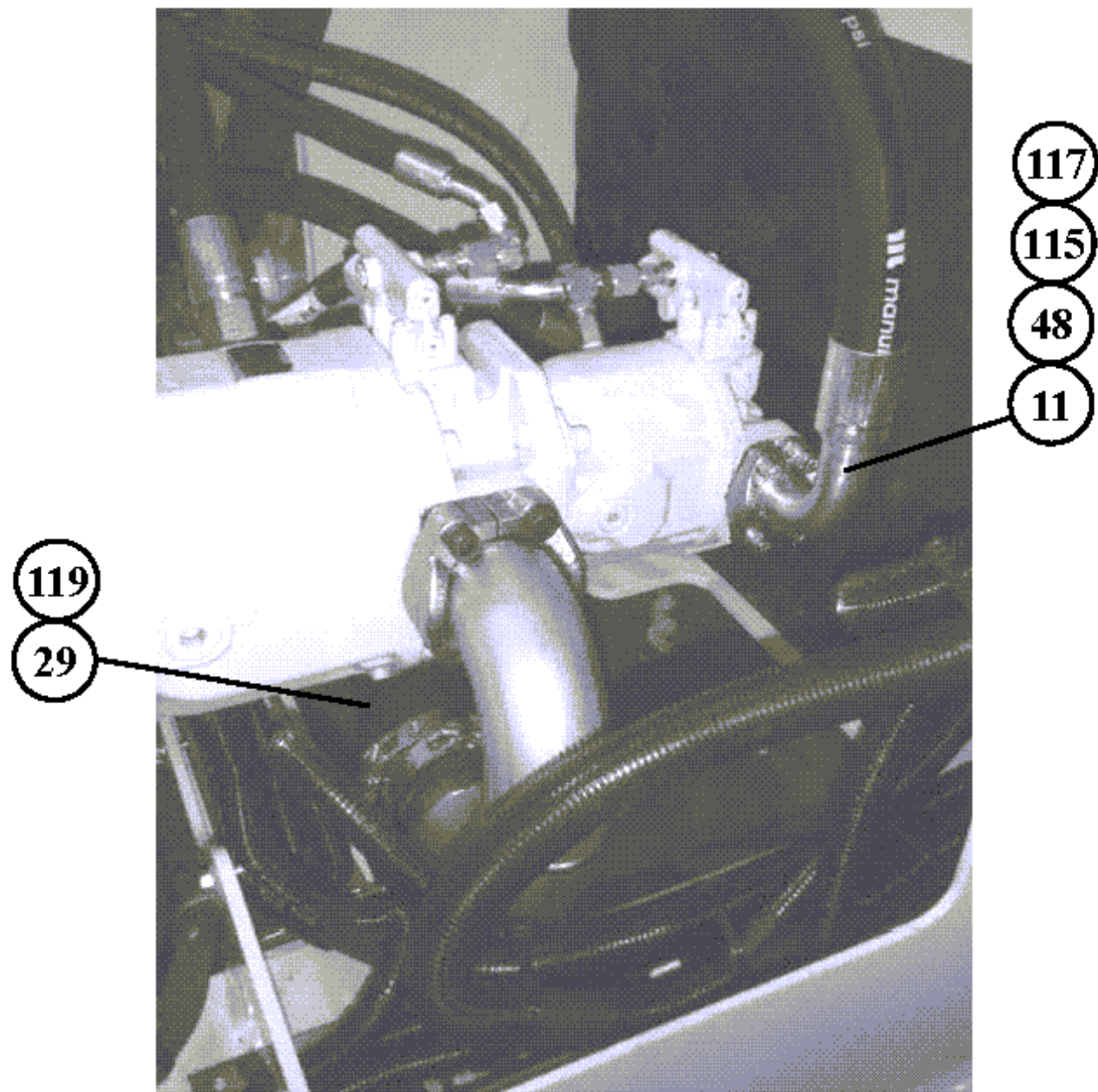
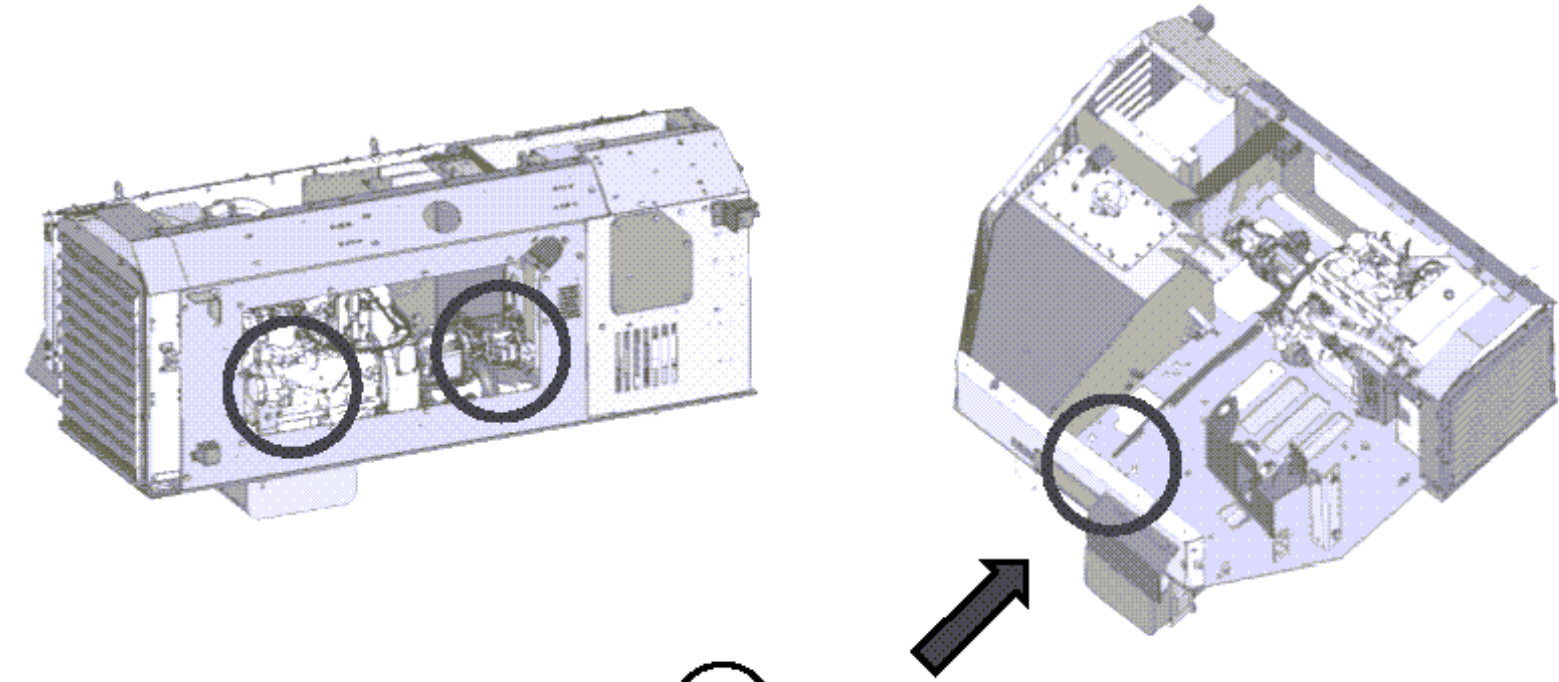
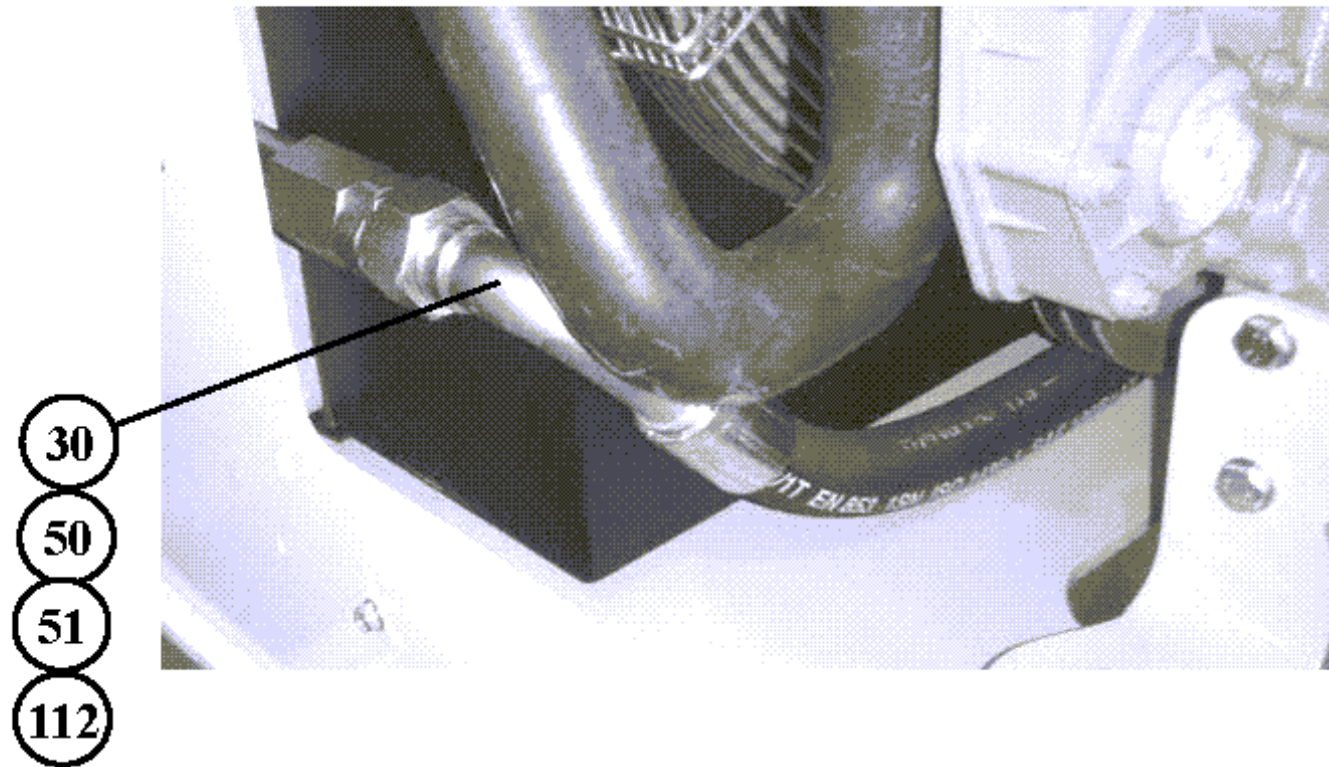
81
80
79
10







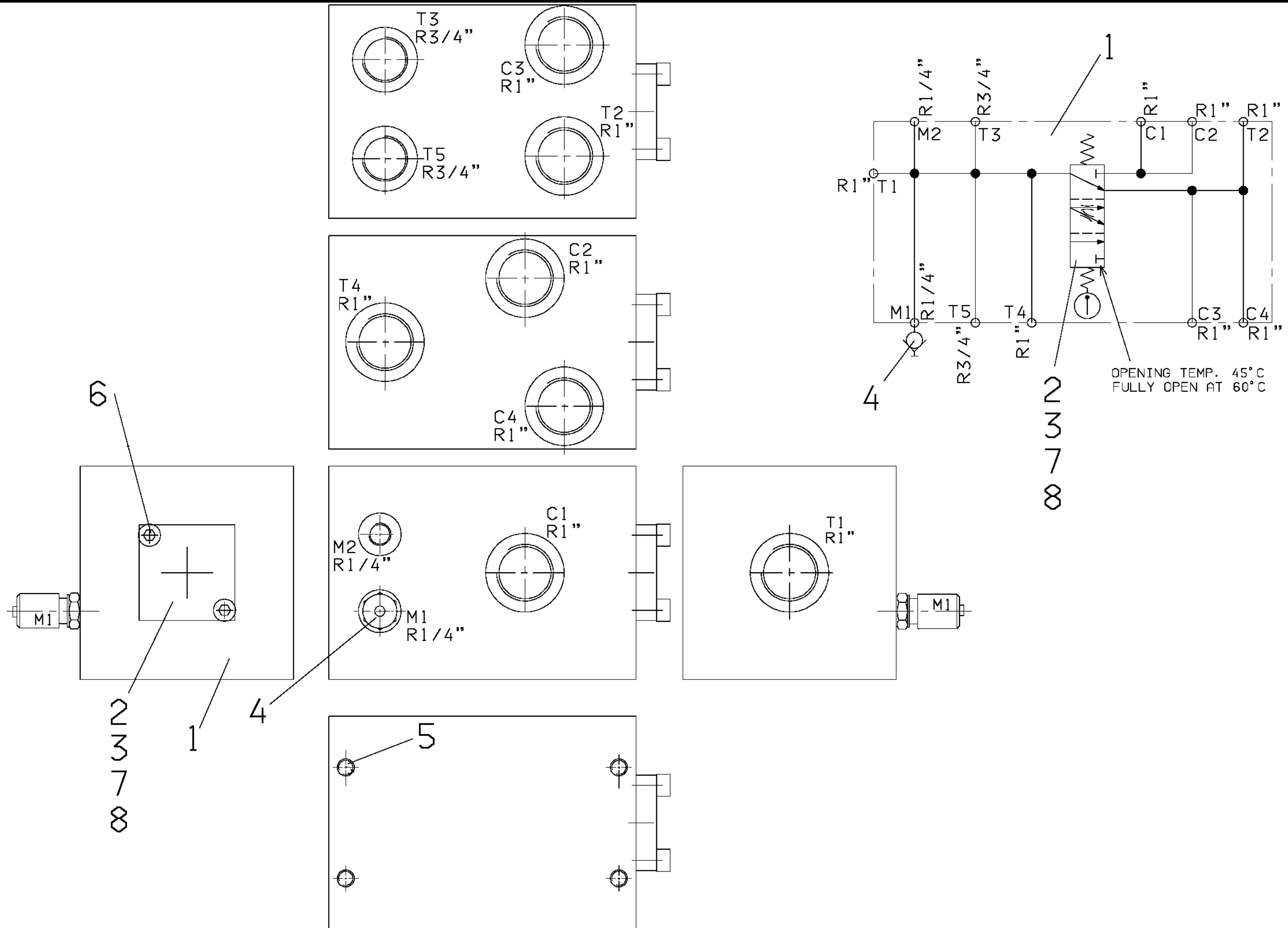




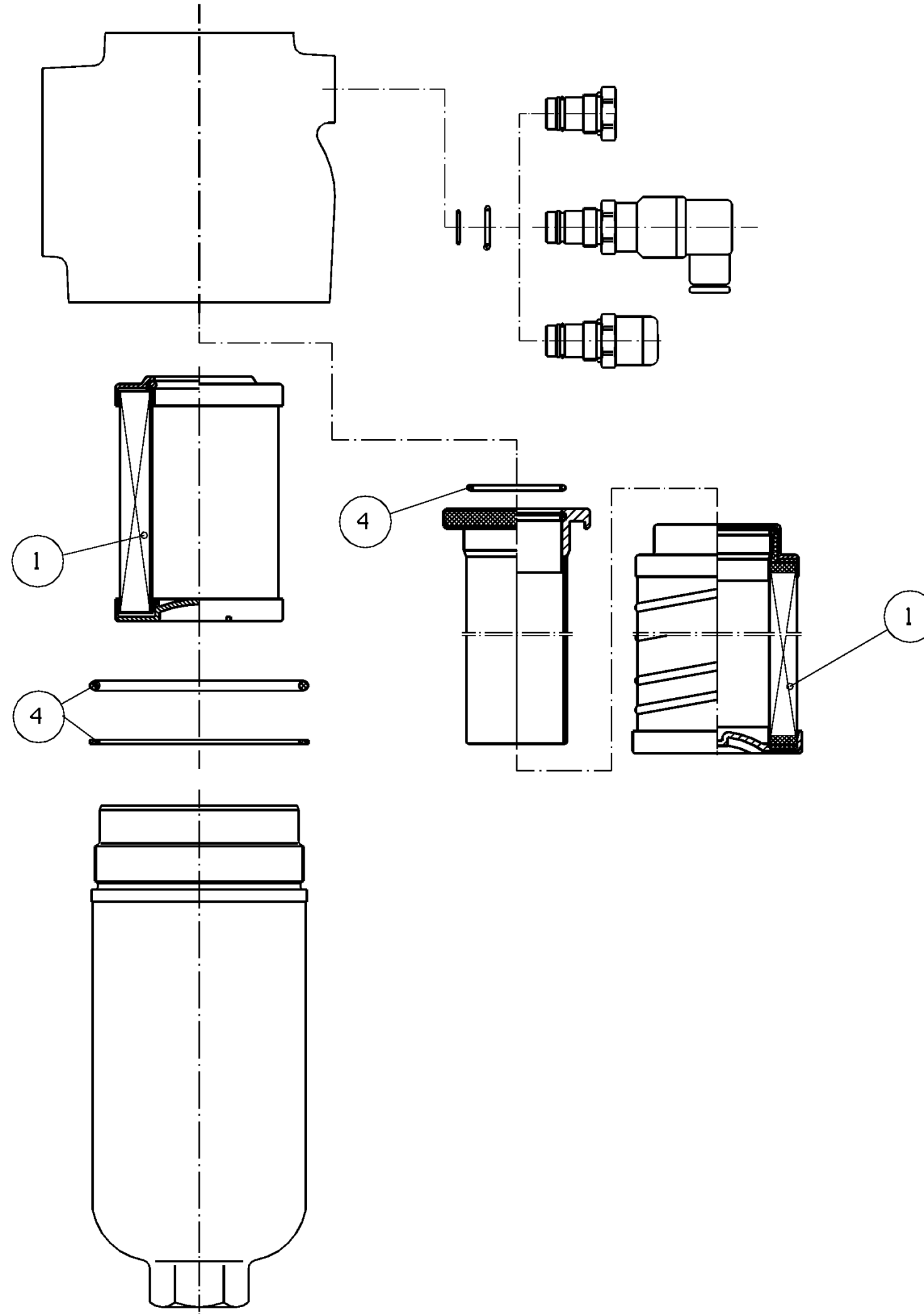
THIS PAGE HAS BEEN LEFT INTENTIONALLY BLANK

Pos.	Part No.	Description	Qty	Net Wght	Page
1	909942	HYDRAULIC BLOCK	1	2	
2	914514	HYDRAULIC BLOCK	1	19	85
3	804511	FILTER	1	18.5	86
4	706306138070	PRESSURE GAUGE	1	0.25	
5	MM0296296	VALVE GROUP	1		87
6	MM0299215	VALVE BLOCK	1	4	
7	804512	INDICATOR	1	0.2	
8	N02495337	TEMPERATURE SENSOR	1	0.04	
9	942977	NIPPLE	1	0.05	
10	N02495321	PRESSURE SENSOR	3	0.2	
11	706203314100	SPLIT FLANGE PAIR	1	0.8	
12	MM0232762	SPLIT FLANGE PAIR	1		
13	706203314050	SPLIT FLANGE PAIR	1	0.76	
14	N01530119	BOLT, HEXAGONAL	4	0.03	
15	704006880000	PLAIN WASHER	12	0.00214	
16	704203927080	NUT, SELF-LOCKING	4	0.0056	
17	N44460526	HYDRAULIC HOSE	1	1.47	
18	MM0284359	HYDRAULIC HOSE	1		
19	N44460385	HYDRAULIC HOSE	1		
20	MM0295841	HYDRAULIC HOSE	1	0.89	
21	N86101345	HYDRAULIC HOSE	1	0.8	
22	N86101306	HYDRAULIC HOSE	1	1.84	
23	N86101306	HYDRAULIC HOSE	1	1.84	
24	MM0315462	HYDRAULIC HOSE	1	1	
25	N86101270	HYDRAULIC HOSE	1	1.11	
26	N44460571	HYDRAULIC HOSE	1	1.02	
27	N44460570	HYDRAULIC HOSE	1	1.12	
28	N44460532	HYDRAULIC HOSE	1	1.33	
29	N44450659	SUCTION HOSE	1	2.5	
30	MM0315054	HYDRAULIC HOSE	1		
31	MM0315056	HYDRAULIC HOSE	1	3.0	
32	MM0228264	HYDRAULIC HOSE	1	3.7	
33	MM0315057	HYDRAULIC HOSE	1	5.2	
34	MM0260052	HYDRAULIC HOSE	1	0.91	
35	MM0315114	HYDRAULIC HOSE	1	1.3	
36	MM0313545	HYDRAULIC HOSE	1	0.46	
37	MM0313541	HYDRAULIC HOSE	1	1.05	
38	MM0313515	HYDRAULIC HOSE	1	0.9	
39	MM0313515	HYDRAULIC HOSE	1	0.9	
40	N86101295	HYDRAULIC HOSE	1	0.89	
41	N86101295	HYDRAULIC HOSE	1	0.89	
42	MM0313512	HYDRAULIC HOSE	1	2	
43	MM0313512	HYDRAULIC HOSE	1	2	
44	MM0315458	HYDRAULIC HOSE	1	2.56	
45	MM0313509	HYDRAULIC HOSE	1	1	
46	N86101295	HYDRAULIC HOSE	1	0.89	
48	MM0313547	HYDRAULIC HOSE	1	2	
49	MM0315129	HYDRAULIC HOSE	1	1.6	
50	913334	CONNECTION	2	1.12	
51	706300793005	CONNECTION	6	0.255	
52	706300790585	CONNECTION	8	0.15	
53	706300790590	CONNECTION	8	0.4	
54	706300790580	BULKHEAD UNION	1	0.111	
55	N02411830	HYDRAULIC ADAPTER	1	0.23	
56	N02411934	HYDRAULIC ADAPTER	5	0.1	
57	706300790065	CONNECTION	7	0.103	
58	706300790069	CONNECTION	7	0.11	
59	706300792339	CONNECTION	2	0.3	
60	706300793006	CONNECTION	2	0.3	
61	706300790092	CONNECTION	2	0.2	
62	706300790140	PLUG	2	0.102	
63	706203392200	MEASURE ADAPTER	5	0.1	
64	706300790059	CONNECTION	1	0.04	
65	706300790091	CONNECTION	1	0.136	
66	706300790400	PLUG	2	0.06	
67	706300793025	CONNECTION	1	0.03	
68	803917	PIPE	1	0.1	
69	706300790540	EQUAL TEE	1	0.25	
70	706300793100	CONNECTION	1	0.035	
71	706300792140	NUT	3	0.029	
72	706300789000	CONNECTION	2	0.1	
73	706300791070	CONNECTION	1	0.355	
74	706300792153	NUT	1	0.24	
75	7002421222	ELBOW ADAPTER	1	0.420	
76	706300793090	CONNECTION	1	0.75	
78	706300793650	CONNECTION	2	0.203	
79	706300790093	CONNECTION	2	0.319	

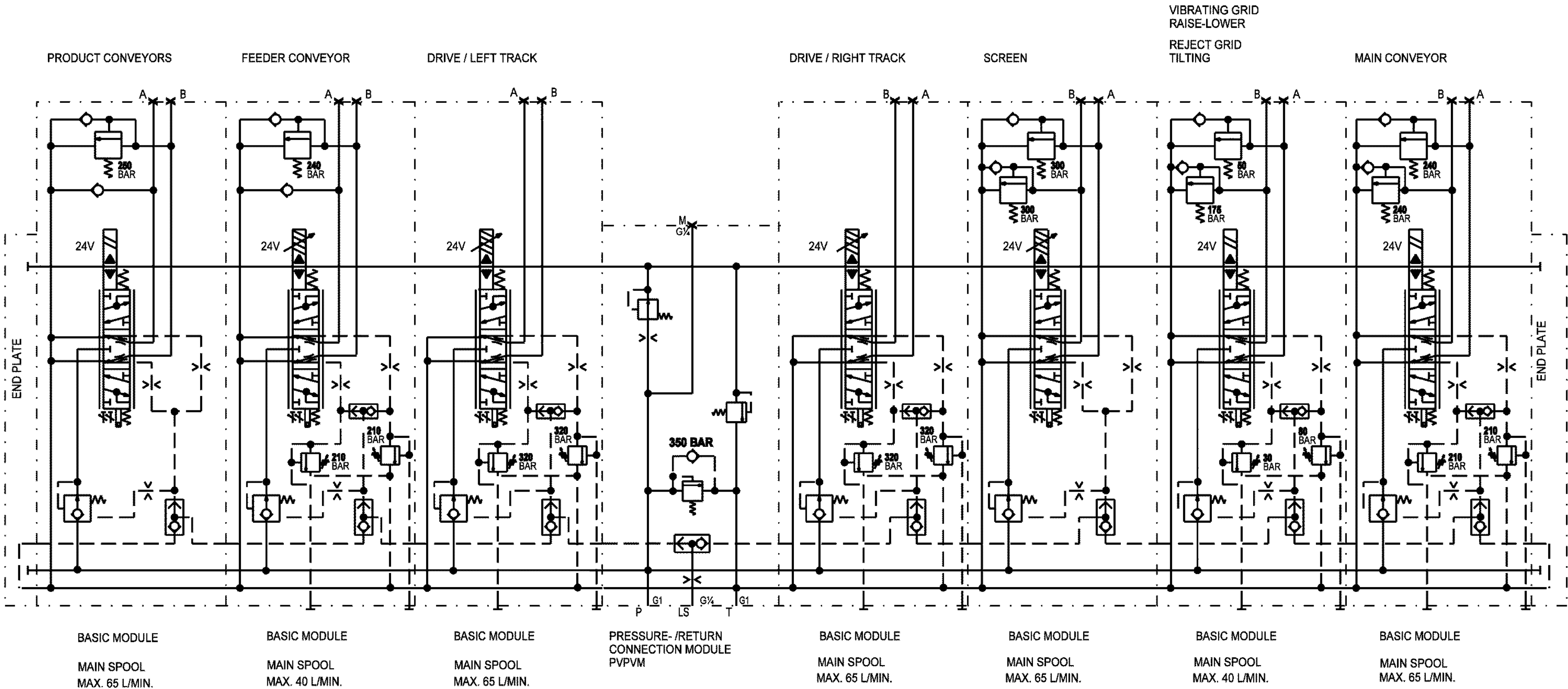
Pos.	Part No.	Description	Qty	Net Wght	Page
80	706300790150	PLUG	2	0.04	
81	706300792150	NUT	2	0.07	
82	706300790062	CONNECTION	1	0.1	
83	706300790066	CONNECTION	1	0.16	
84	706300790070	CONNECTION	4	0.16	
85	N02405457	FITTING	2	0.205	
86	706300790097	TEE	2	0.8	
87	706300792154	NUT	1	0.32	
88	706300791080	CONNECTION	1	0.52	
89	706300793034	CONNECTION	1	0.4	
90	706300790002	CONNECTION	2	0.26	
91	706300790000	CONNECTION	1	0.2	
92	706300790060	CONNECTION	1	0.1	
93	706300793040	CONNECTION	2	0.7	
94	706300793235	PLUG	1	0.61	
95	MM0309955	CONNECTION	1	0.715	
96	706300793070	CONNECTION	2	0.03	
97	706300790115	CONNECTION	2	0.01	
98	706300790469	CONNECTION	1	0.05	
99	706300790448	CONNECTION	1	0.088	
100	MM0249703	CONNECTION	1	0.058	
101	706300793050	CONNECTION	1	0.2	
102	706300790065	CONNECTION	4	0.103	
103	706300790064	CONNECTION	2	0.06	
104	N01536015	SCREW, SLOT-HEAD	3		
105	804203927030	NUT, SELF-LOCKING	3	0.01	
106	N01530140	SCREW, HEXAGONAL	4	0.03	
107	804006920000	PLAIN WASHER	8	0.01	
108	N01530106	SCREW, HEXAGONAL	4	0.02	
109	7001530144	SCREW, HEXAGONAL	4	0.03	
110	706202487250	TERMINAL PLUG	2	0.13	
111	706202487230	TERMINAL PLUG	6	0.05	
112	N02701927	USIT-RING	3		
113	N02701907	USIT-RING	5	0.005	
114	706202487220	TERMINAL PLUG	1	0.02	
115	704103500000	CAP SCREW, HXGNL SOCKET HEAD	8	0.02	
116	704518200100	O-RING	1	0.01	
117	704518200300	O-RING	1	0.05	
118	704103684500	CAP SCREW, HXGNL SOCKET HEAD	4	0.07	
119	706300787910	HOSE TIGHTENER	4	0.16	
120	706302547300	FASTENER PAIR	1	0.05	
121	706302547566	COVERING PLATE	1	0.04	
122	704103395160	CAP SCREW, HXGNL SOCKET HEAD	2	0.02	
123	MM0315837	U-BOLT	1	0.15	
124	704203927100	NUT, SELF-LOCKING	2	0.01	
125	704007270000	PLAIN WASHER	2	0.06	
126	MM0317127	VALVE ASSEMBLY	1		88



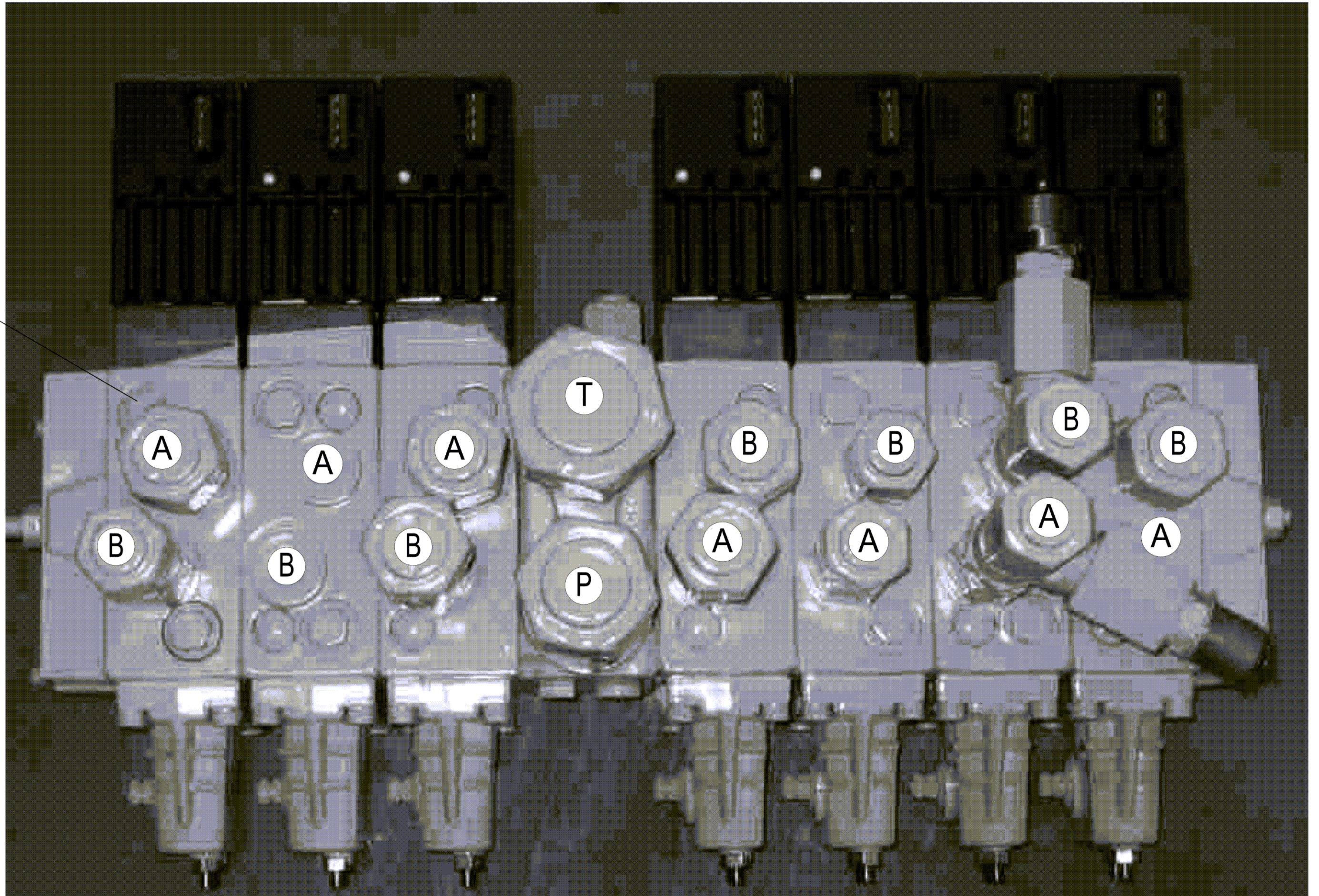
Pos.	Part No.	Description	Qty	Net Wght
1	N02482063	BLOCK	1	
2	N02445167	THERMOSTAT VALVE	1	0.25
3	804360	FLANGE	1	0.1
4	MM0254044	MEASURE ADAPTER	1	0.05
5	704103490000	CAP SCREW, HXGNL SOCKET HEAD	4	0.02
6	704103410000	CAP SCREW, HXGNL SOCKET HEAD	2	0.01
7	N02480912	SEALING PLATE	1	0.2
8	804362	O-RING	1	0.01



Pos.	Part No.	Description	Qty	Net Wght
1	N02445778	FILTER CARTRIDGE	1	0.94
4	801587	GASKET SET	1	0.01



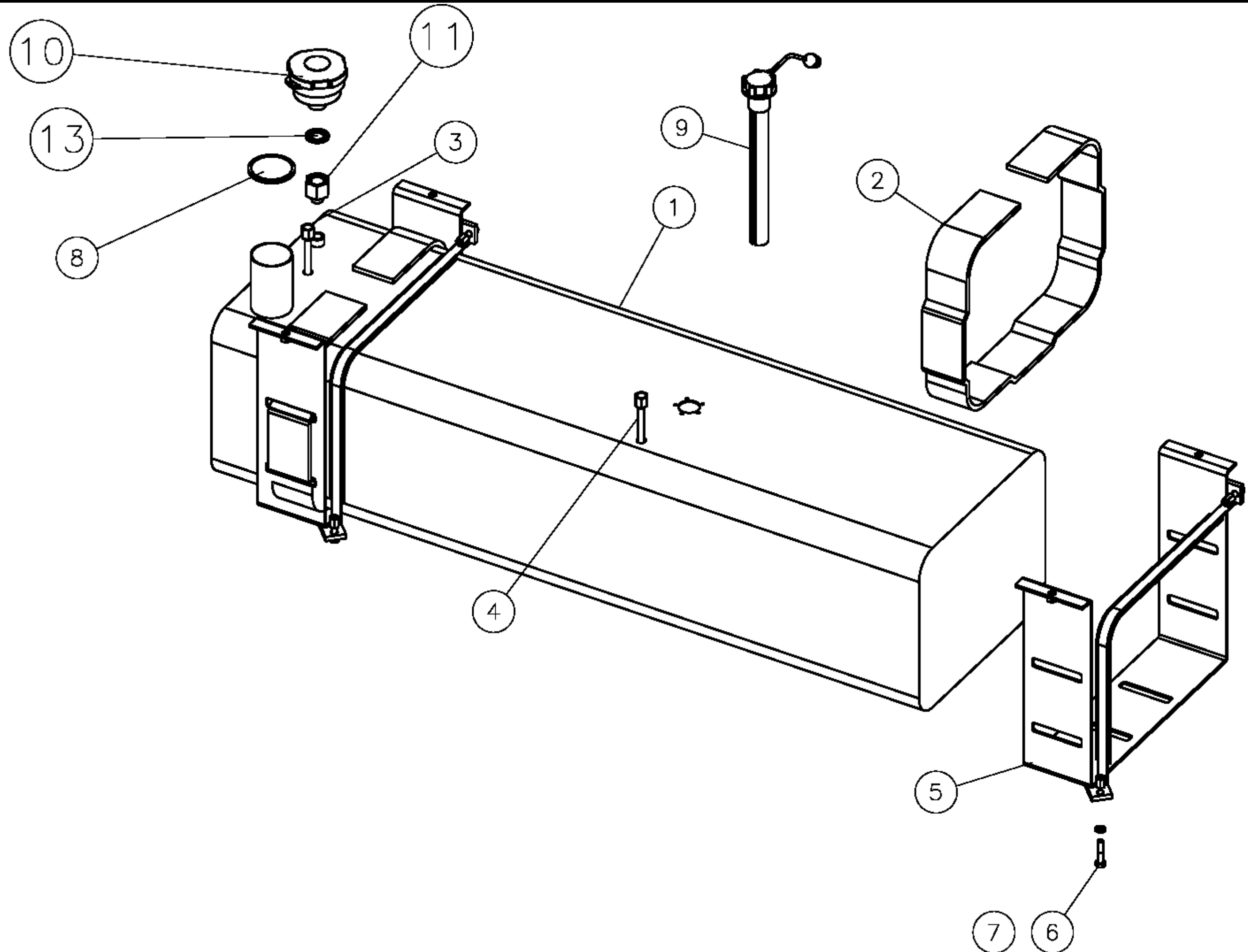
Pos.	Part No.	Description	Qty	Net Wght
0	MM0242862	SPINDLE	1	
	MM0242867	PRESSURE RELIEF VALVE	3	0.05
	MM0264754	CHOKE	5	0.001
	804236	SEAL KIT	7	0.01
	804237	SEAL KIT	7	0.01
	804238	GASKET SET	9	0.01
	N02480736	PRESSURE RELIEF VALVE	1	0.001
	N02480737	PRESSURE RELIEF VALVE	1	0.05
	N02480746	SUCTION VALVE	2	0.05
	N02446032	ADJUSTING UNIT	3	0.6
	N02480952	PRESSURE RELIEF VALVE	1	0.05
	N02482814	COVER	7	0.4
	N02482105	PRESSURE RELIEF VALVE	2	0.05
	N02482821	SPOOL ASSEMBLY	2	0.5
	N02446035	ADJUSTING UNIT	4	0.6
	N02482864	SPOOL ASSEMBLY	1	0.5
	N02482865	SPOOL ASSEMBLY	3	0.5



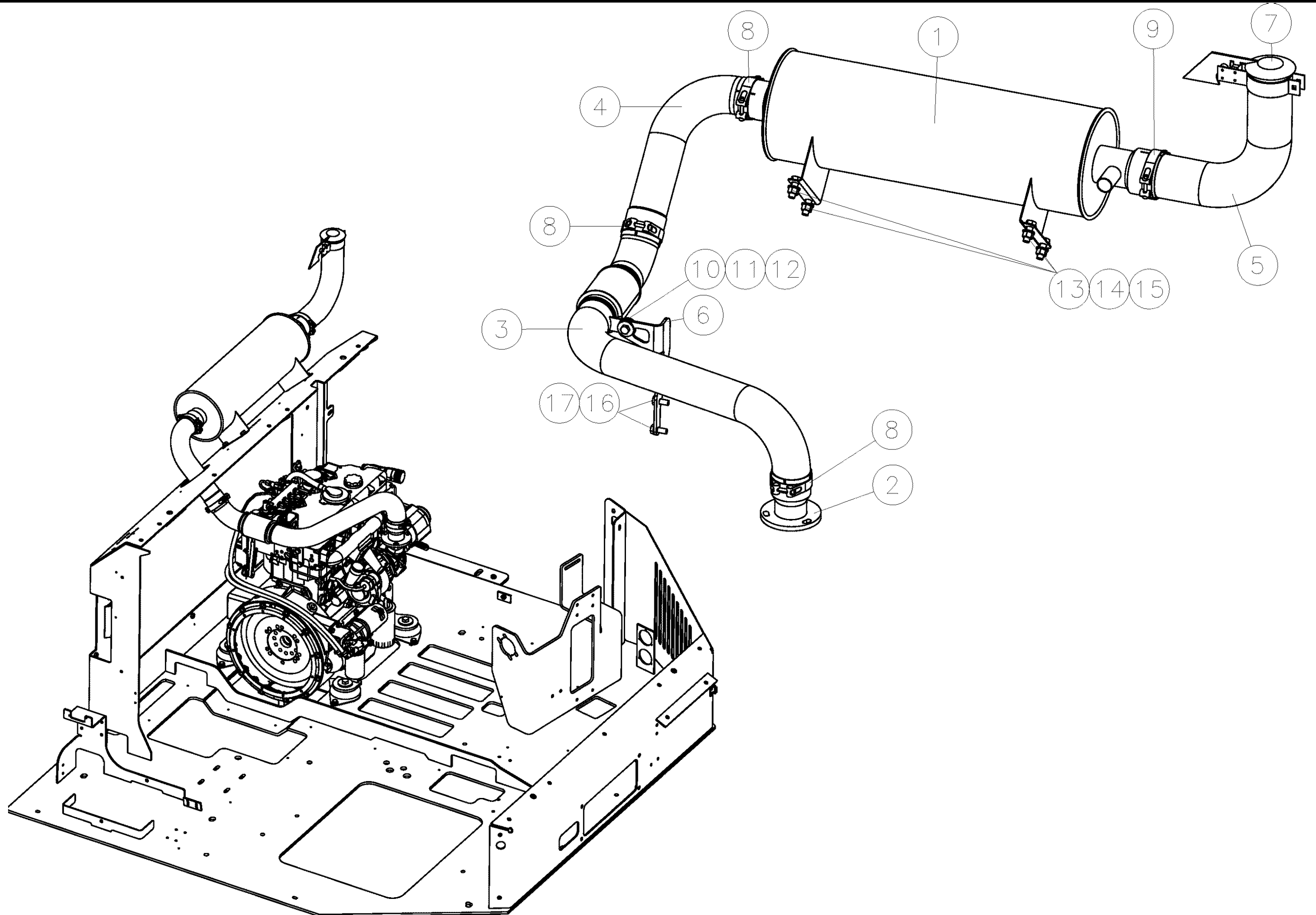


Lokotrack ST3.8 s/n 76292
MM0317127_0 VALVE ASSEMBLY

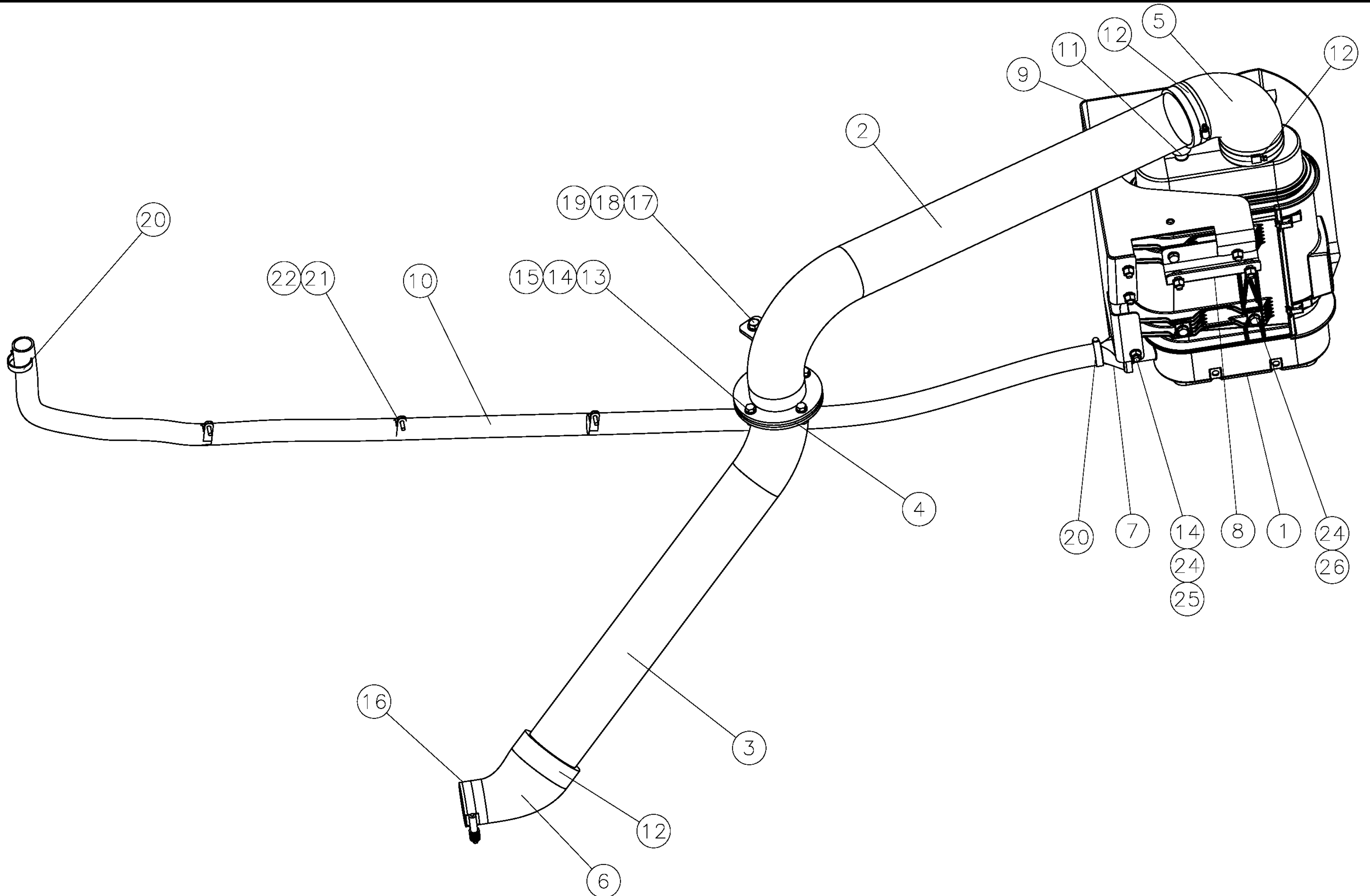
Pos.	Part No.	Description	Qty	Net Wght
1	N02480883	PRESSURE RELIEF VALVE	1	0.05



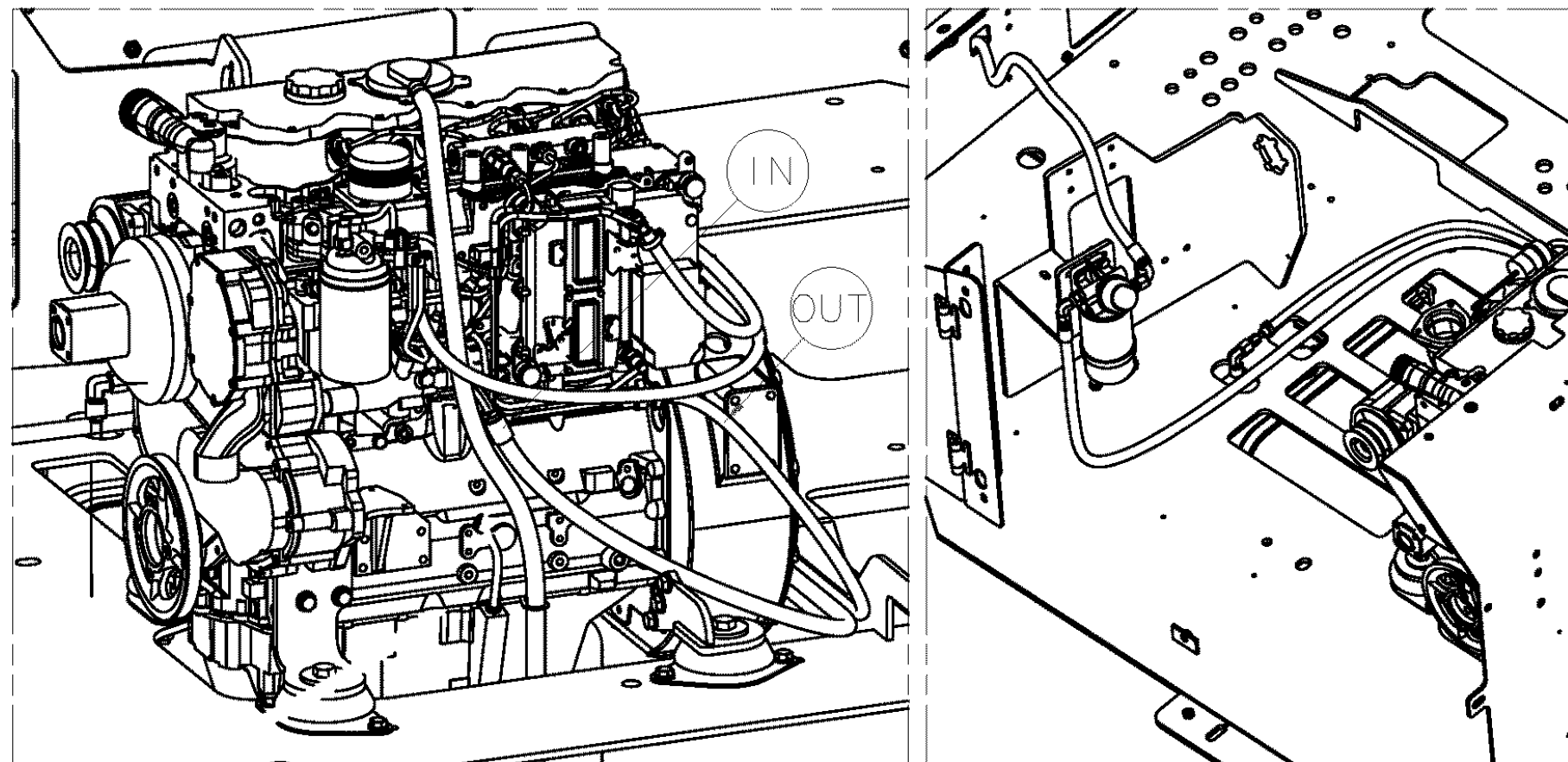
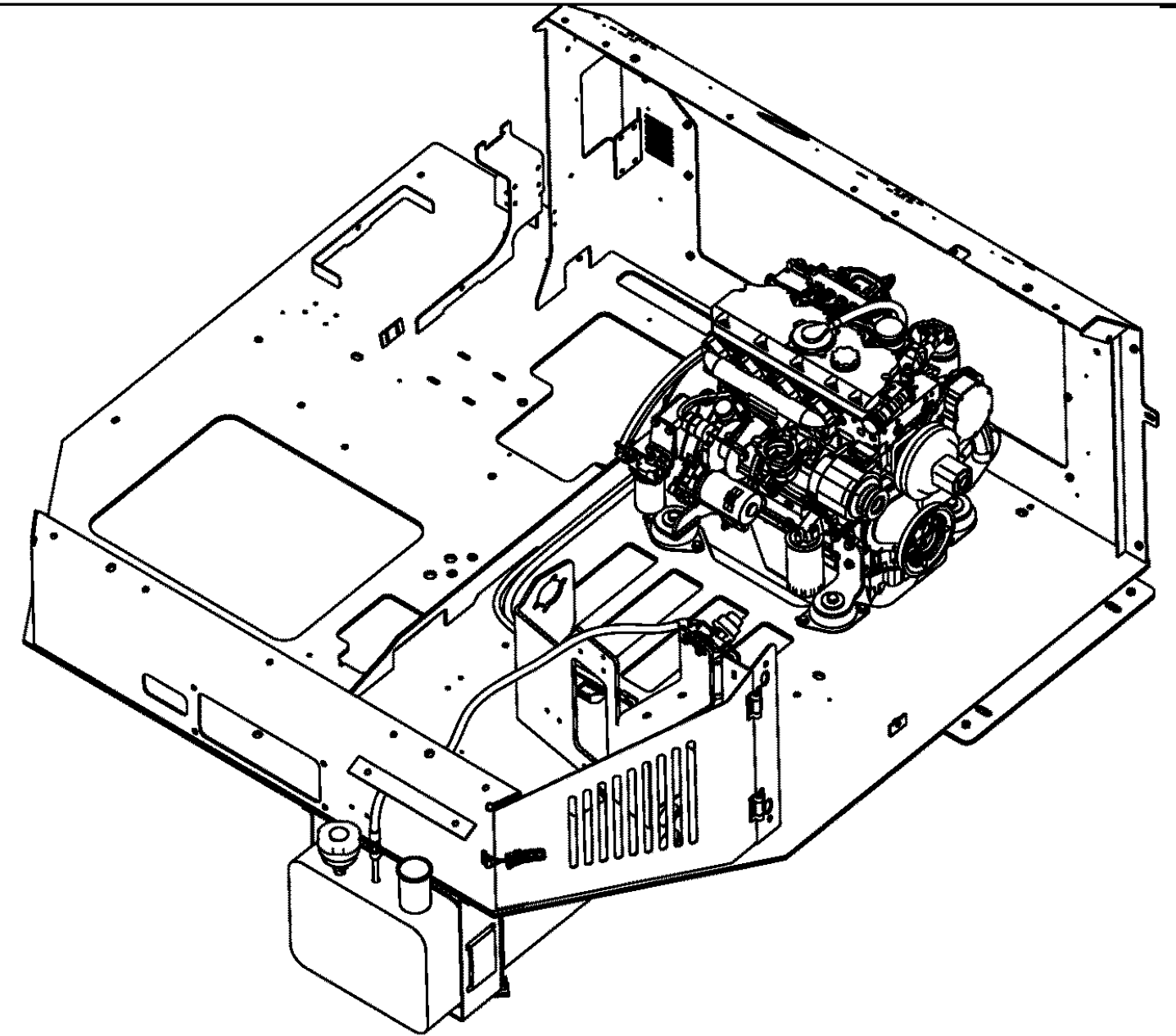
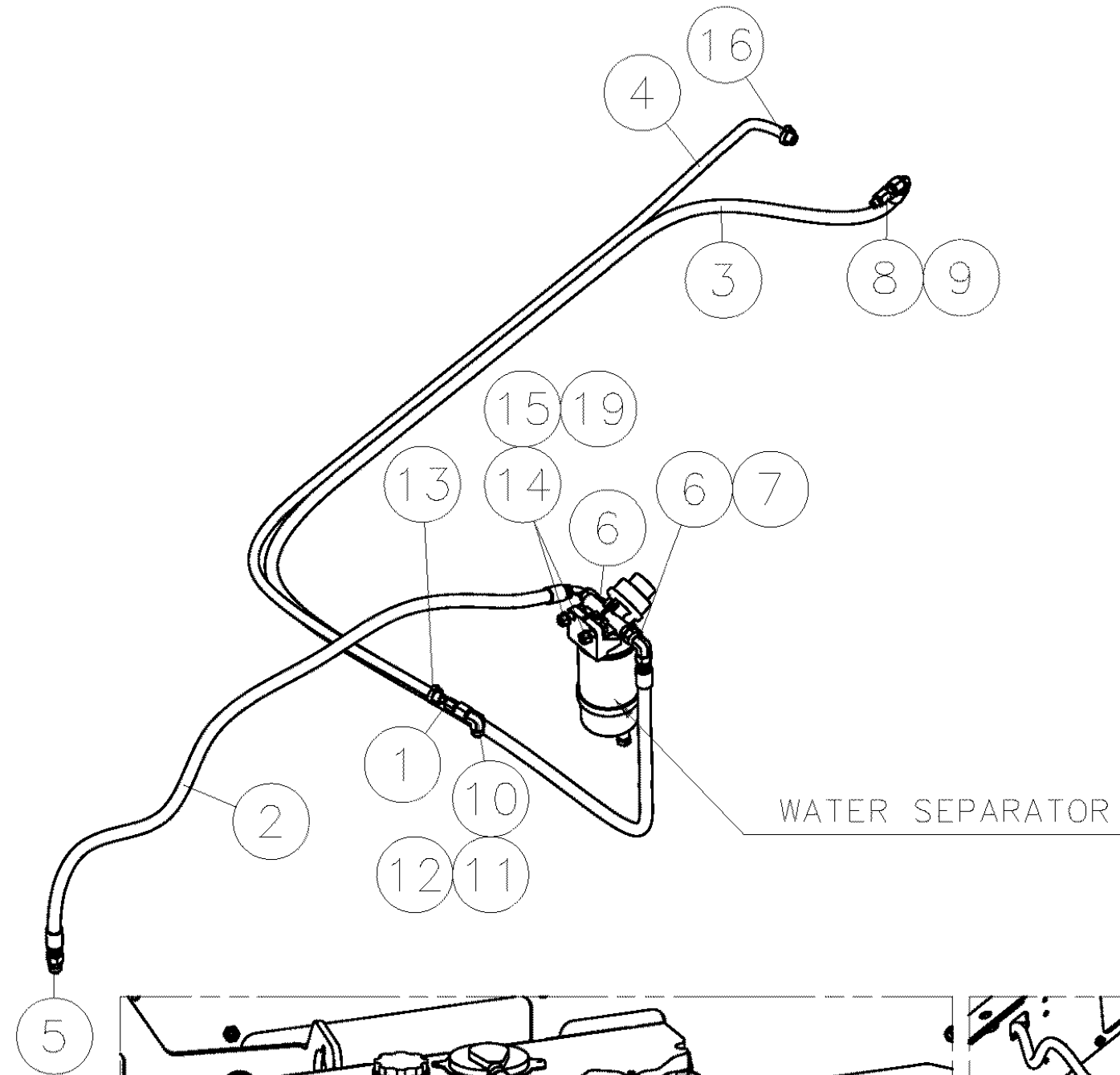
Pos.	Part No.	Description	Qty	Net Wght
1	MM0273586	FUEL TANK	1	67
2	M08619	PLATE, RUBBER	2	1.7
3	M08620	SUCTION PIPE	1	0.1
4	M08621	PIPE	1	0.1
5	M09896	BRACKET	2	8
6	N01530147	BOLT, HEXAGONAL	4	0.04
7	N01626510	PLAIN WASHER	4	0.1
8	N02480615	CAP	1	0.907
9	N05256460	FUEL GAUGE	1	0.5
10	MM0309399	BREATHER	1	0.3
11	706202396000	NIPPLE	1	0.221
13	N02701939	SEAL	1	0.002



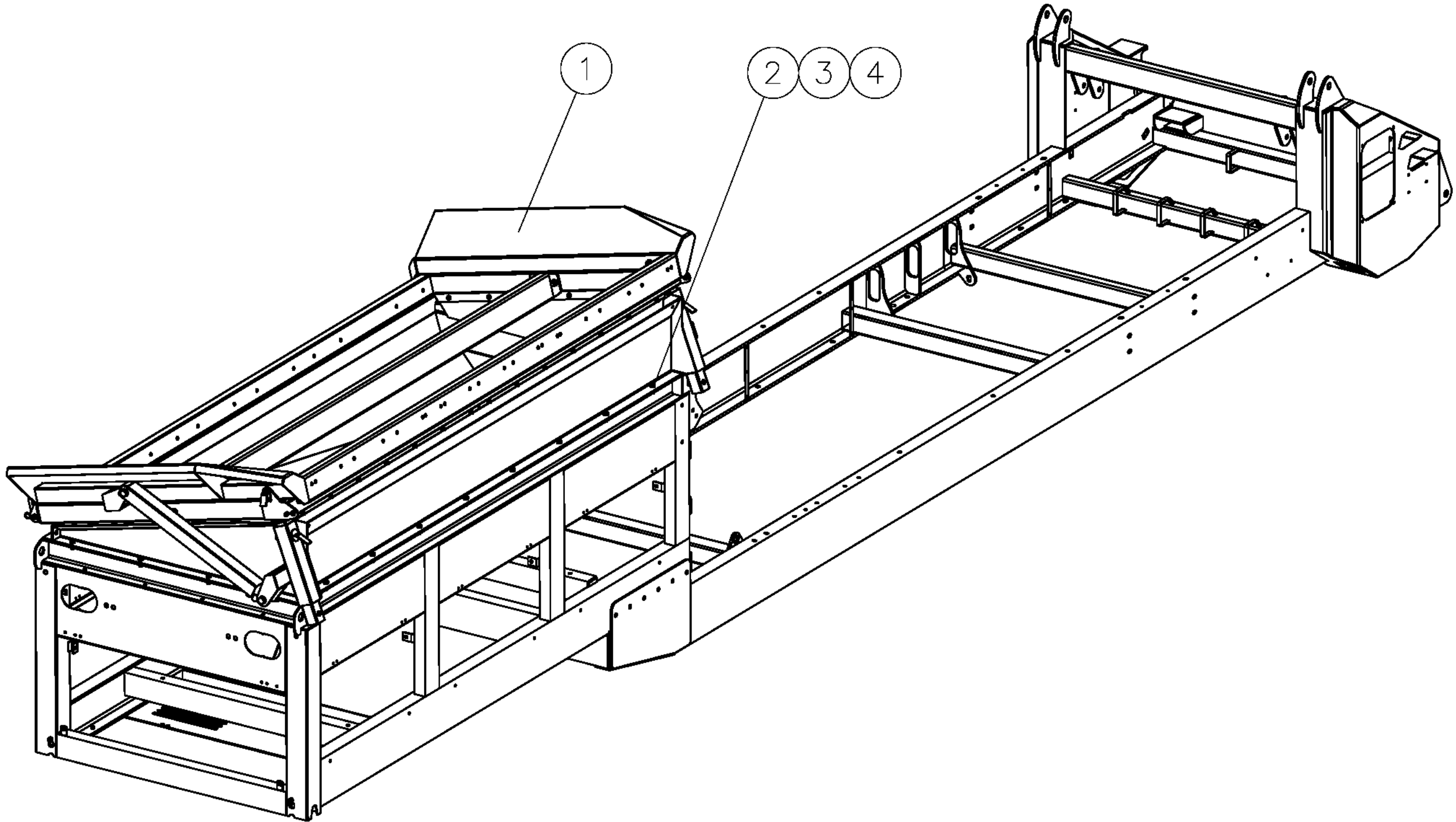
Pos.	Part No.	Description	Qty	Net Wght
1	MM0294229	SILENCER	1	7.44
2	MM0296168	EXHAUST PIPE	1	0.86
3	MM0296205	EXHAUST PIPE	1	4.94
4	MM0296219	PIPE	1	1.3
5	MM0294935	EXHAUST PIPE	1	2.16
6	MM0279188	PLATE	1	0.5
7	MM0279072	RAIN COVER	1	0.36
8	706300787840	HOSE TIGHTENER	3	0.16
9	706300787915	HOSE TIGHTENER	1	0.05
10	N01623110	PLAIN WASHER	2	0.001
11	N01530138	SCREW, HEXAGONAL	1	0.03
12	704203927100	NUT, SELF-LOCKING	1	0.01
13	704006970000	PLAIN WASHER	8	0.01
14	N01530197	BOLT, HEXAGONAL	4	0.05
15	7001570012	NUT, SELF-LOCKING	4	0.01
16	N01626510	PLAIN WASHER	2	0.1
17	N01530136	SCREW, HEXAGONAL	2	0.02



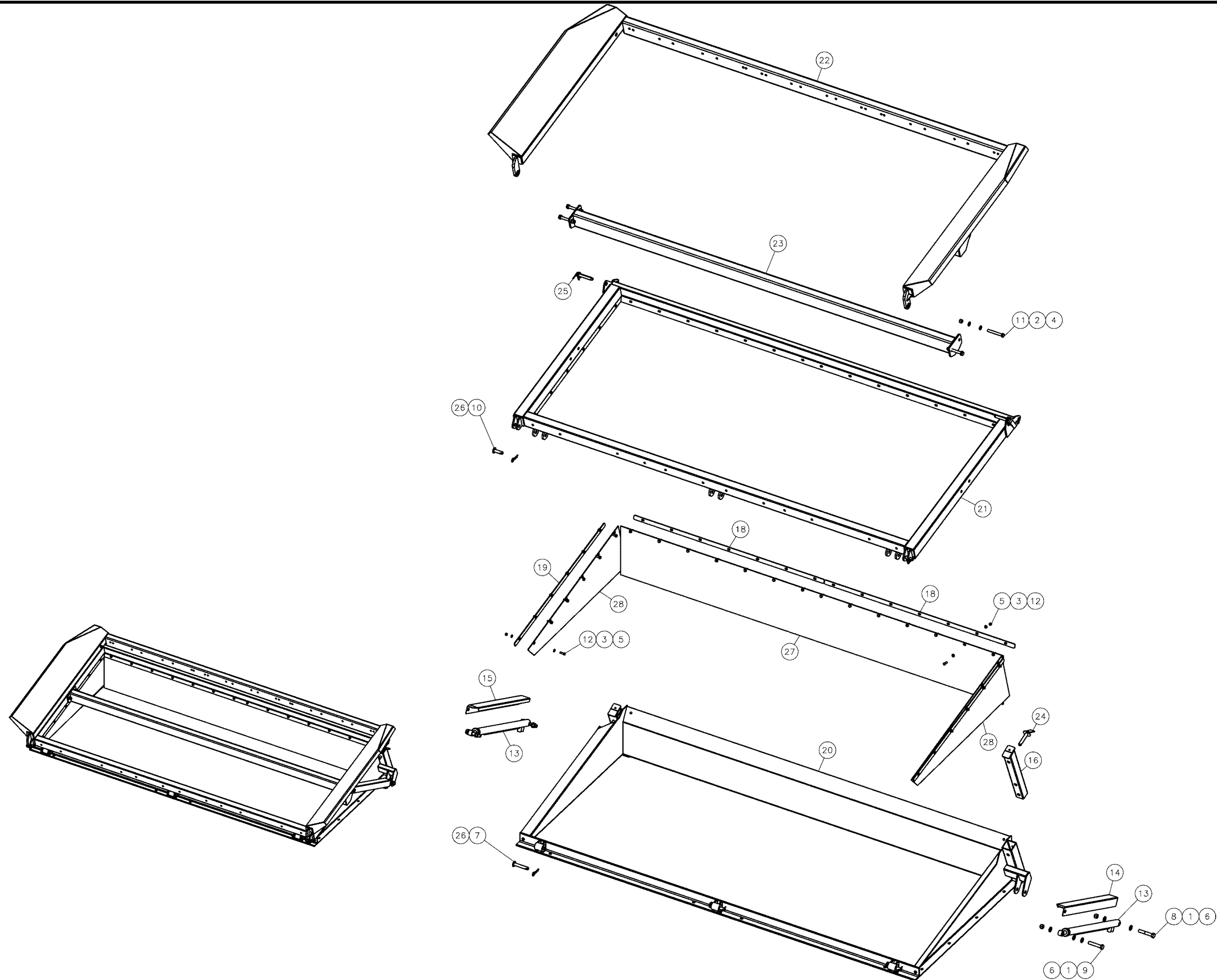
Pos.	Part No.	Description	Qty	Net Wght
1	MM0314541	AIR FILTER	1	3.6
2	MM0314858	PIPE WELDING	1	5.6
3	MM0279155	PIPE WELDING	1	4.78
4	MM0249072	RUBBER	1	0.05
5	N02106504	ELBOW, RUBBER	1	0.65
6	MM0279118	AIR HOSE	1	0.54
7	MM0313951	REDUCTION SLEEVE	1	0.1
8	MM0314859	PLATE	1	0.55
9	MM0314909	COVER	1	10.15
10	MM0314927	HOSE	1	
11	N05502272	SERVICE INDICATOR	1	0.1
12	N02118996	CLAMP	3	0.06
13	N01530139	BOLT, HEXAGONAL	4	0.03
14	N01570210	NUT, SELF-LOCKING	10	0.0051
15	N01626510	PLAIN WASHER	8	0.1
16	N02119009	CLAMP	1	0.04
17	704006970000	PLAIN WASHER	2	0.01
18	N01530197	BOLT, HEXAGONAL	1	0.05
19	7001570012	NUT, SELF-LOCKING	1	0.01
20	MM0247491	HOSE TIGHTENER	2	
21	MM0247492	HOSE FASTENER	4	
22	N01530058	SCREW, HEXAGONAL	4	0.00667
24	804006920000	PLAIN WASHER	12	0.01
25	N01530136	SCREW, HEXAGONAL	10	0.02
26	7001530134	SCREW, HEXAGONAL	4	0.02



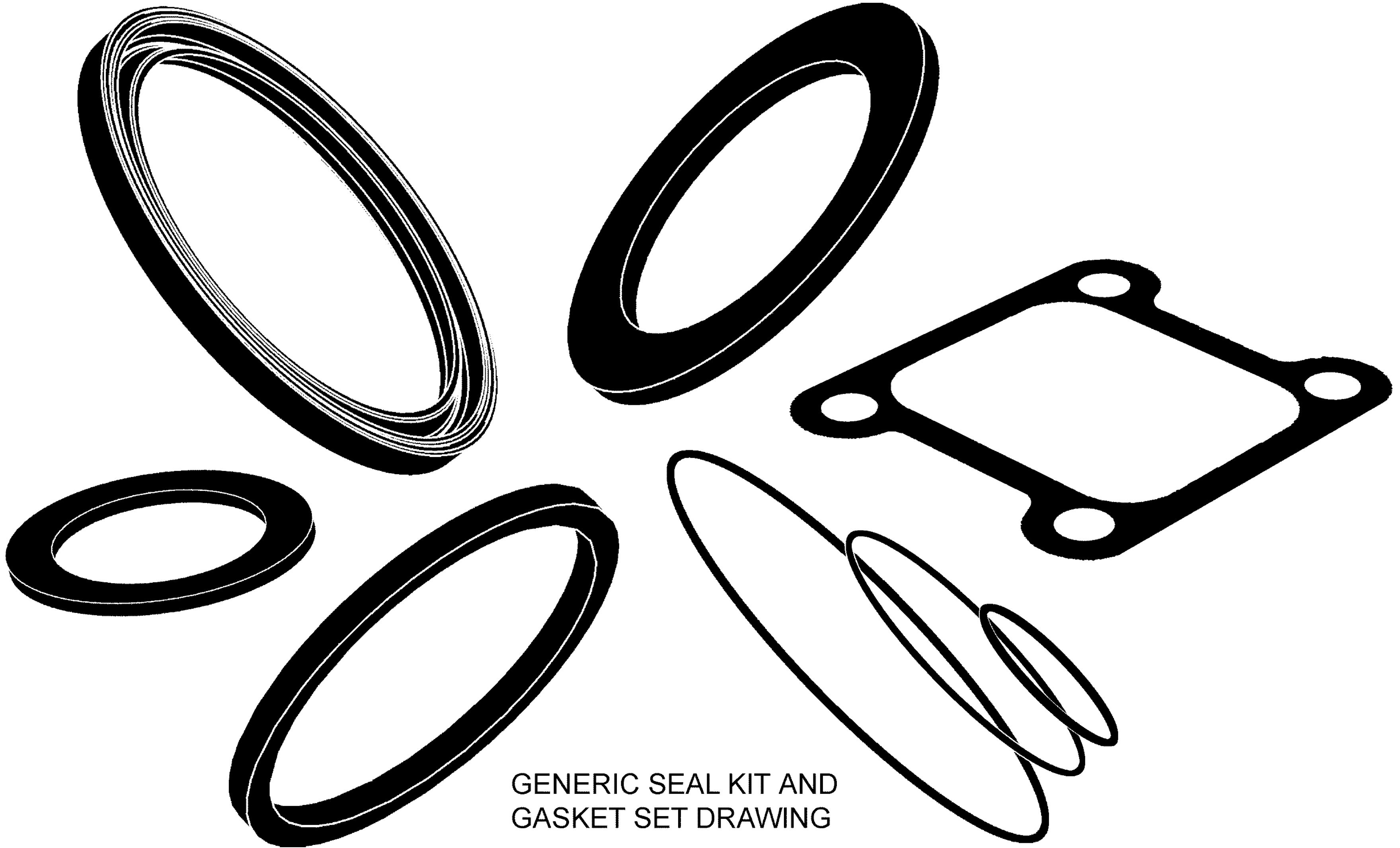
Pos.	Part No.	Description	Qty	Net Wght
1	N86101195	HYDRAULIC PIPE	1	0.02
2	N44461185	HYDRAULIC HOSE	1	1.05
3	MM0238716	HYDRAULIC HOSE	1	2
4	MM0280242	HOSE	1	0.38
5	706300790469	CONNECTION	1	0.05
6	N02405405	CONNECTION	2	0.057
7	706300789000	CONNECTION	1	0.1
8	MM0241202	REDUCER	1	0.1
9	N02405401	CONNECTION	1	0.041
10	706300793100	CONNECTION	1	0.035
11	706300790448	CONNECTION	1	0.088
12	706300792140	NUT	1	0.029
13	704404204800	CLAMP	2	0.01
14	N01530143	BOLT, HEXAGONAL	2	0.04
15	N01570210	NUT, SELF-LOCKING	2	0.0051
16	804006920000	PLAIN WASHER	4	0.01



Pos.	Part No.	Description	Qty	Net Wght	Page
1	M09697	GRID MODULE	1	1004.34	94
2	N01532311	BOLT, HEXAGONAL	16	0.1	
3	N01570216	NUT, HEXAGONAL	16	.196	
4	N01626516	PLAIN WASHER	32	0.012	
5	MM0317886	PIPING, HYDRAULIC	1		96



Pos.	Part No.	Description	Qty	Net Wght	Page
1	704007190000	PLAIN WASHER	15	0.03	
2	N01626520	PLAIN WASHER	8	0.017	
3	704006970000	PLAIN WASHER	52	0.01	
4	N01570220	JAM NUT, HEXAGONAL	4	0.06	
5	7001570012	NUT, SELF-LOCKING	26	0.01	
6	N01565003	NUT, HEXAGONAL	4	0.094	
7	M04848-168	PIN	3	0.55	
8	N01530533	BOLT, HEXAGONAL	2	0.6	
9	N01530532	BOLT, HEXAGONAL	2	0.56	
10	M04848-162	PIN	2	0.35	
11	N01530442	BOLT, HEXAGONAL	4	0.42	
12	N01530199	BOLT, HEXAGONAL	26	0.05	
13	MM0237493	HYDRAULIC CYLINDER	2	8	95
14	M09543	COVER PLATE	1	4.81	
15	M09542	COVER PLATE	1	4.81	
16	M09405	SUPPORT	2	9.8	
18	M09403	PLATE	2	3.64	
19	M09402	CLAMP	2	2.96	
20	M09391	HOPPER WELDING	1	259.5	
21	M09198	SUPPORT	1	226.80	
22	M09189	SUPPORT FRAME	1	283.0	
23	M09166	CROSS BEAM	1	140.3	
24	M04849-47	PIN	2	1.361	
25	M02815-1	PIN	2	0.5	
26	706303524110	SPRING PIN	5	0.035	
27	MM0331970	RUBBER SKIRT	1	10.03	
28	MM0331976	RUBBER SKIRT	2	2.51	



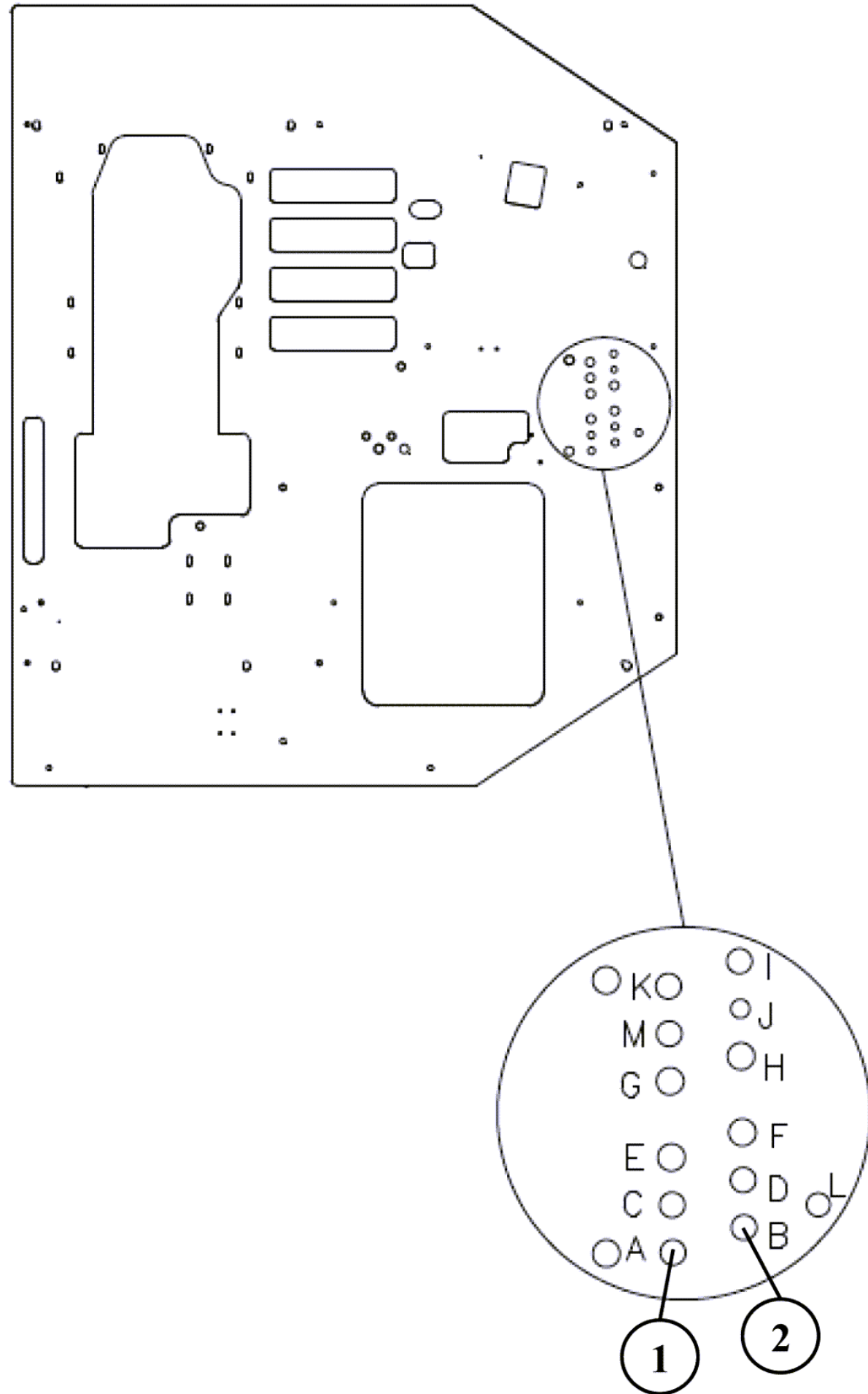
GENERIC SEAL KIT AND
GASKET SET DRAWING



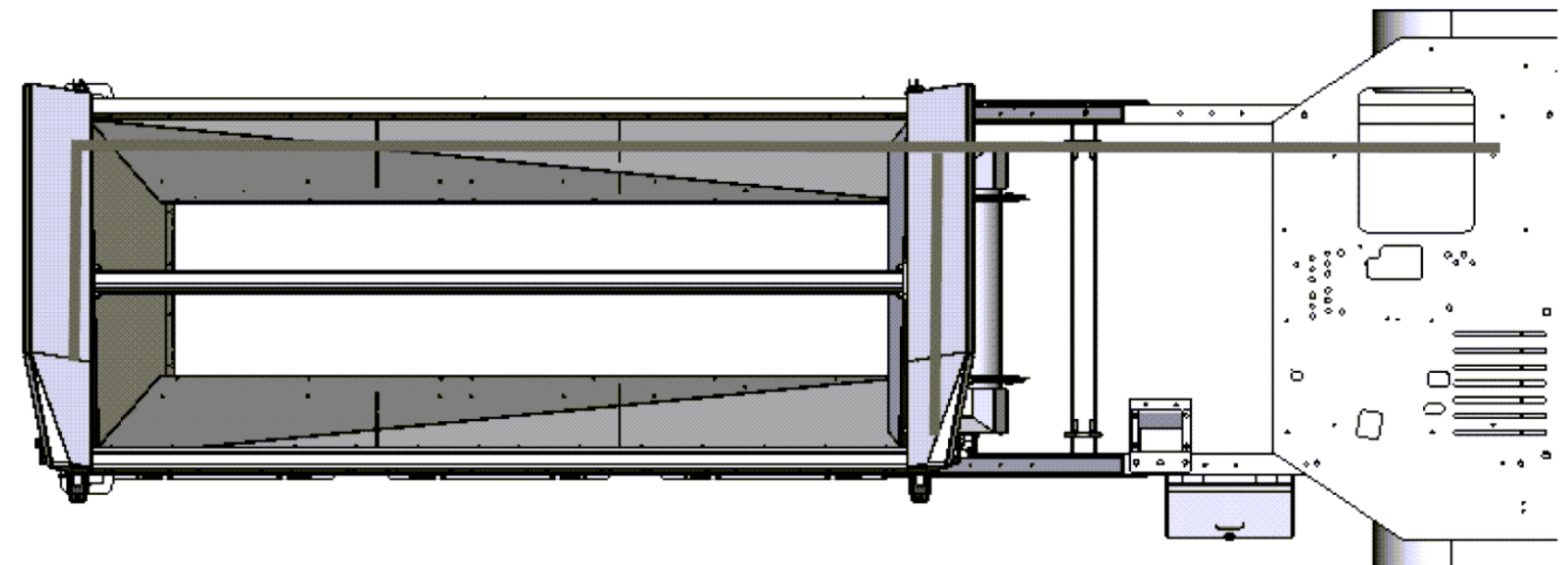
Lokotrack ST3.8 s/n 76292
MM0237493_0 HYDRAULIC CYLINDER

Pos.	Part No.	Description	Qty	Net Wght
0	N02471022	SEAL KIT	1	0.1

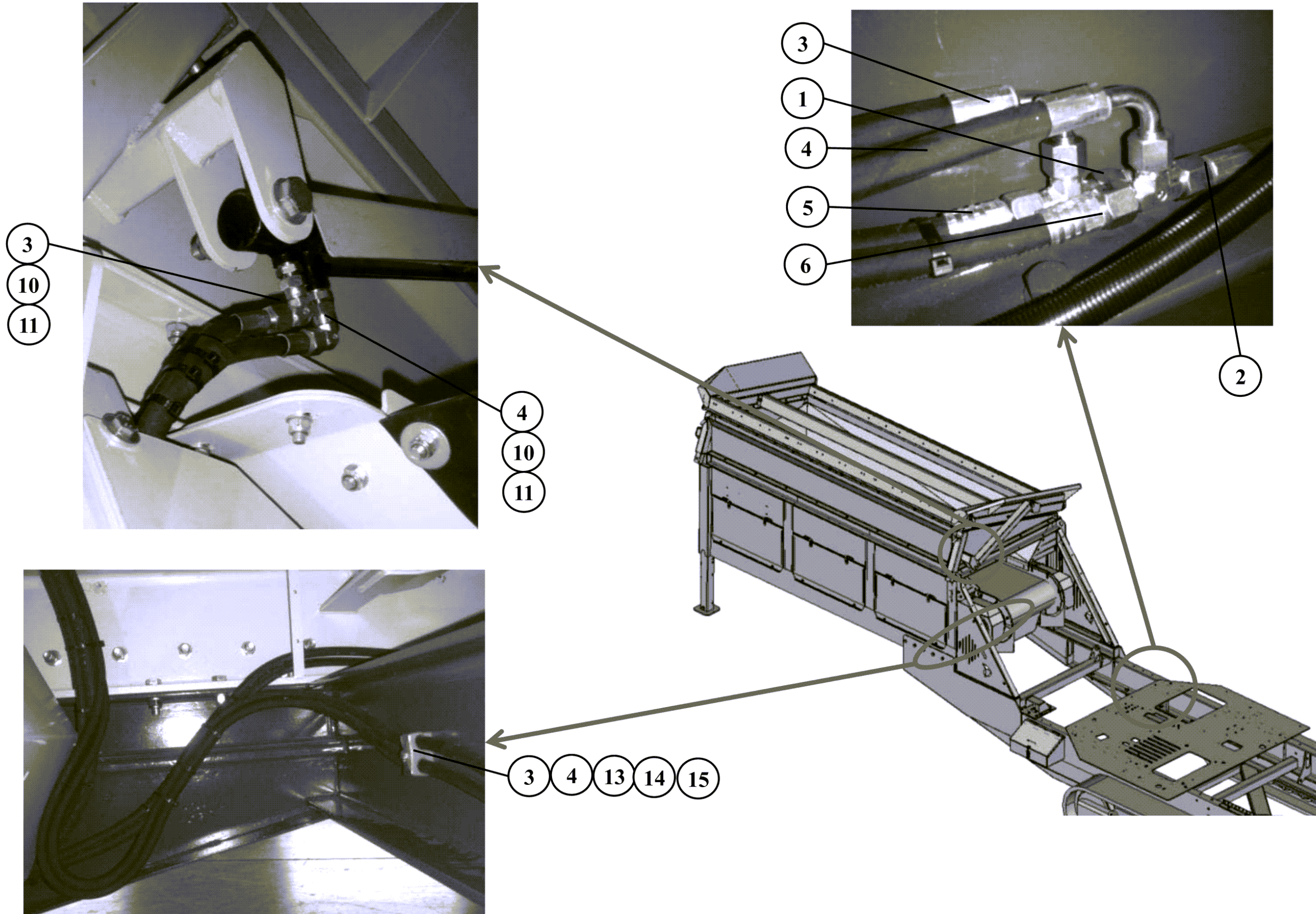
Engine module frame plate from above



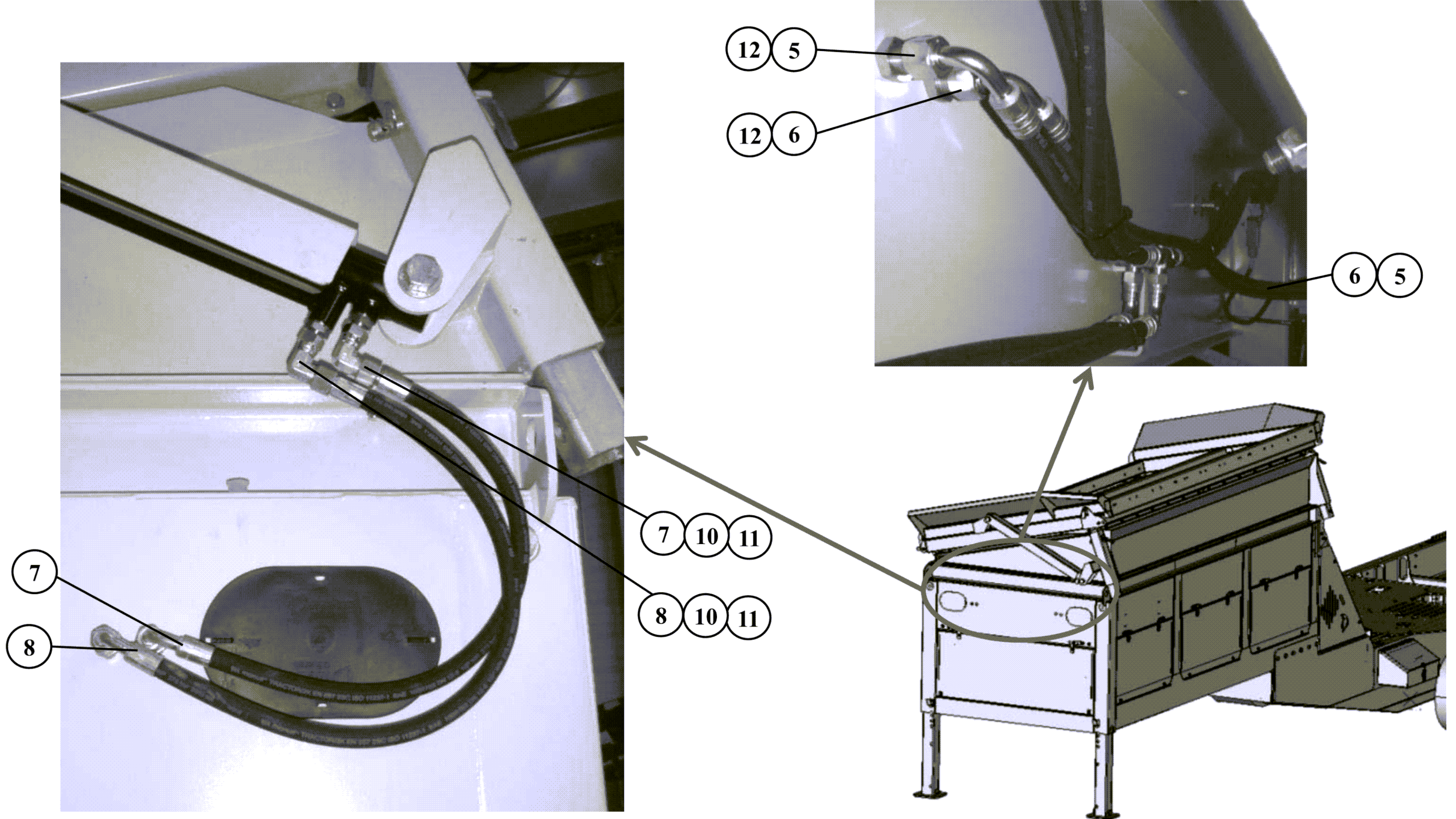
Hose routes on frame



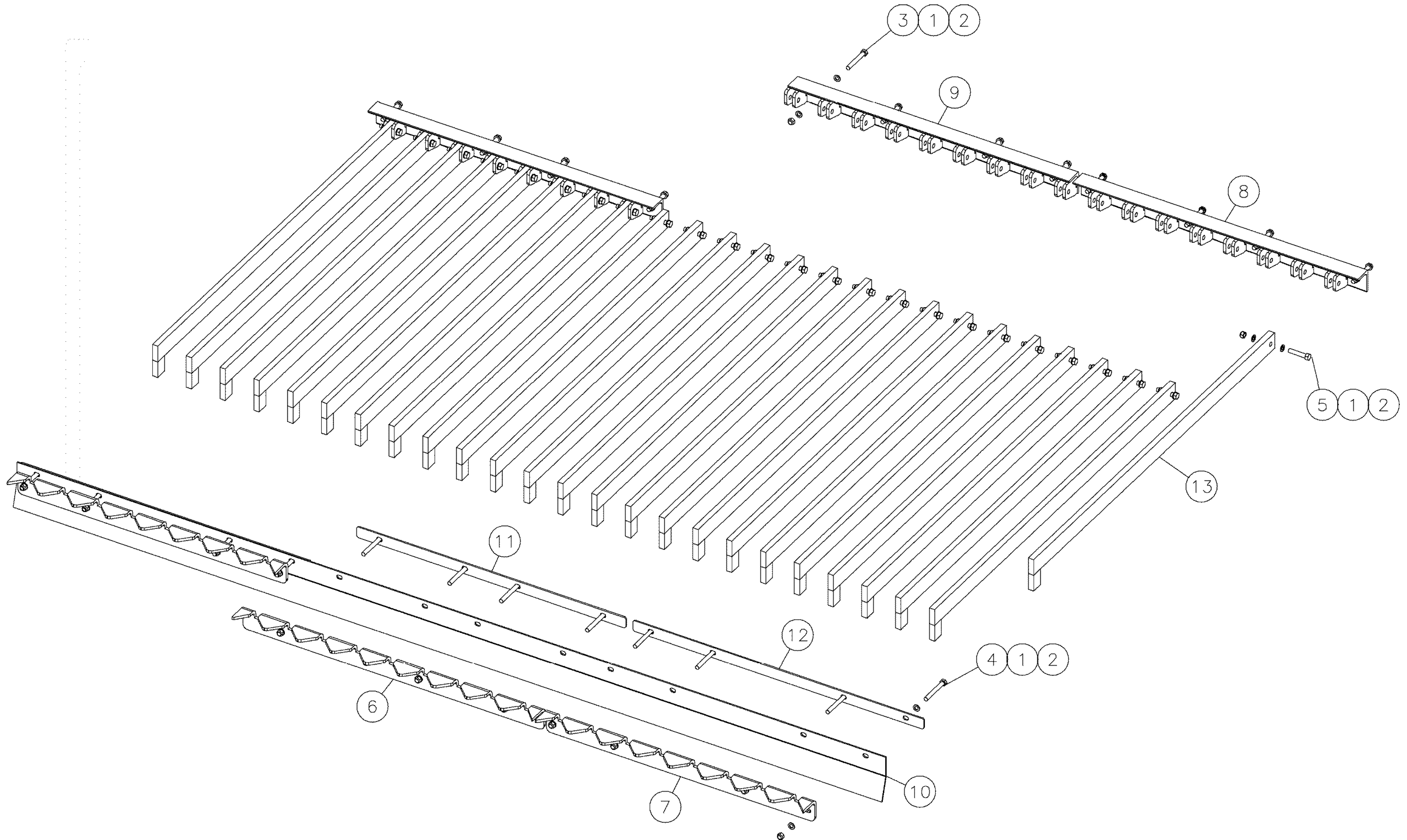
Pos.	Part No.	Description	Qty	Net Wght
1	N44460611	HOSE	1	2.72
2	N44460611	HOSE	1	2.72
3	MM0231442	HOSE	1	2.69
4	MM0231442	HOSE	1	2.69
5	MM0231444	HOSE	1	3.58
6	MM0231444	HOSE	1	3.58
7	N44460640	HYDRAULIC HOSE	1	0.66
8	N44460586	HYDRAULIC HOSE	1	0.71
9	706300790550	EQUAL TEE	2	0.18
10	706300790065	CONNECTION	4	0.103
11	706300790000	CONNECTION	4	0.2
12	706300790585	CONNECTION	2	0.15
13	N02118902	FASTENER PAIR	2	0.1
14	N02118993	COVERING PLATE	2	0.1
15	N01530109	BOLT, HEXAGONAL	2	0.02



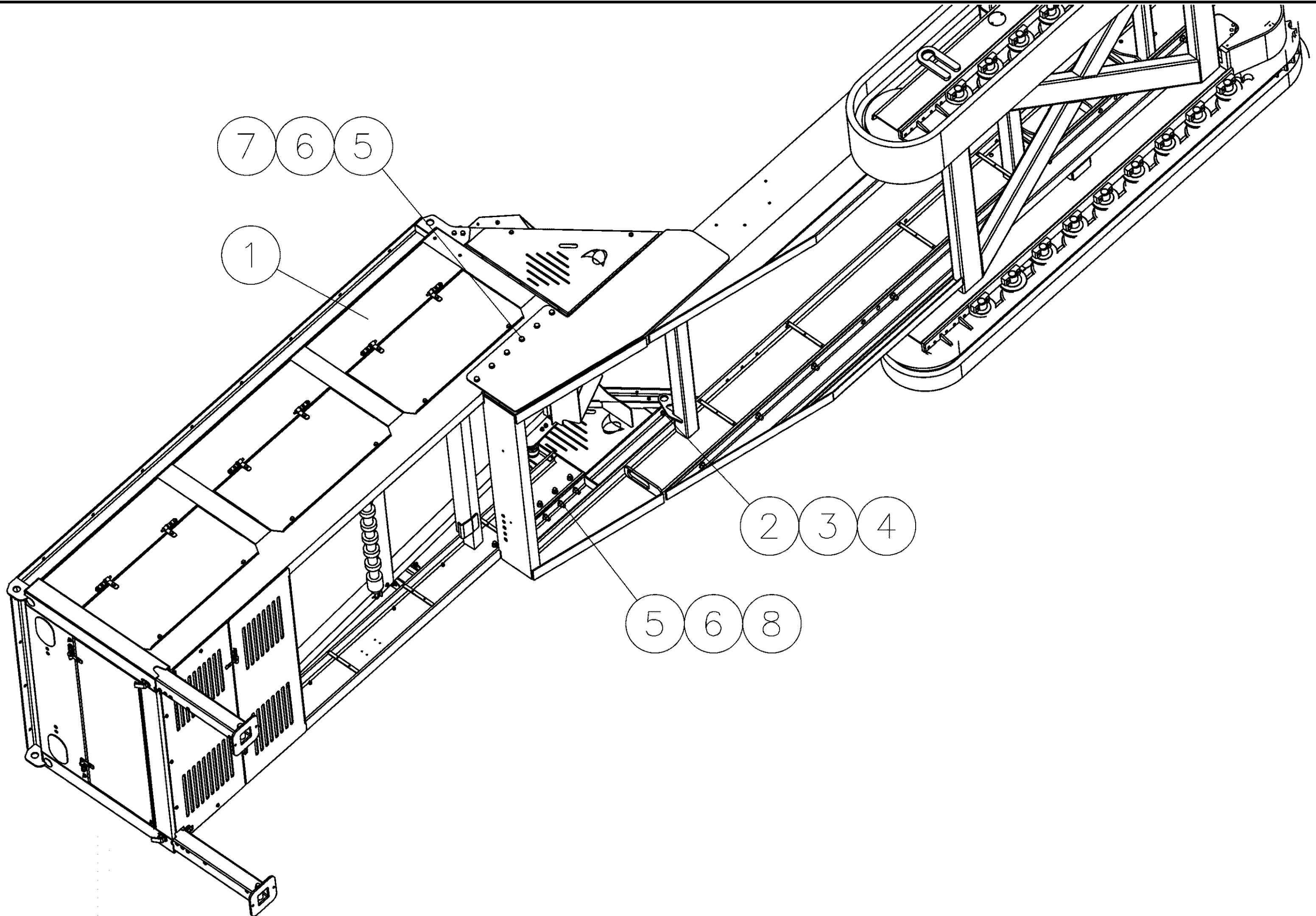
Pos.	Part No.	Description	Qty	Net Wght
1	N44460611	HOSE	1	2.72
2	N44460611	HOSE	1	2.72
3	MM0231442	HOSE	1	2.69
4	MM0231442	HOSE	1	2.69
5	MM0231444	HOSE	1	3.58
6	MM0231444	HOSE	1	3.58
7	N44460640	HYDRAULIC HOSE	1	0.66
8	N44460586	HYDRAULIC HOSE	1	0.71
9	706300790550	EQUAL TEE	2	0.18
10	706300790065	CONNECTION	4	0.103
11	706300790000	CONNECTION	4	0.2
12	706300790585	CONNECTION	2	0.15
13	N02118902	FASTENER PAIR	2	0.1
14	N02118993	COVERING PLATE	2	0.1
15	N01530109	BOLT, HEXAGONAL	2	0.02



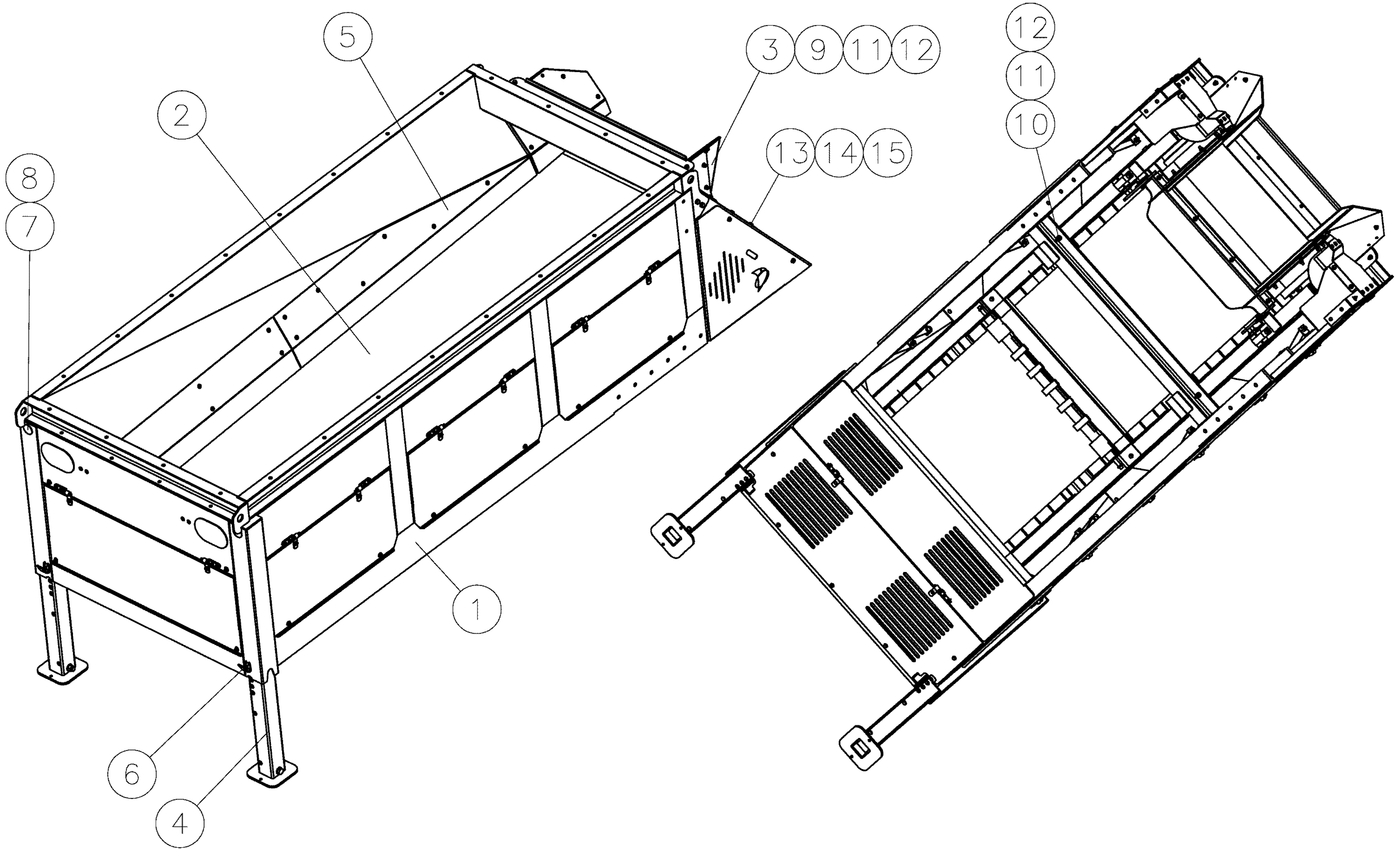
Pos.	Part No.	Description	Qty	Net Wght
1	N44460611	HOSE	1	2.72
2	N44460611	HOSE	1	2.72
3	MM0231442	HOSE	1	2.69
4	MM0231442	HOSE	1	2.69
5	MM0231444	HOSE	1	3.58
6	MM0231444	HOSE	1	3.58
7	N44460640	HYDRAULIC HOSE	1	0.66
8	N44460586	HYDRAULIC HOSE	1	0.71
9	706300790550	EQUAL TEE	2	0.18
10	706300790065	CONNECTION	4	0.103
11	706300790000	CONNECTION	4	0.2
12	706300790585	CONNECTION	2	0.15
13	N02118902	FASTENER PAIR	2	0.1
14	N02118993	COVERING PLATE	2	0.1
15	N01530109	BOLT, HEXAGONAL	2	0.02



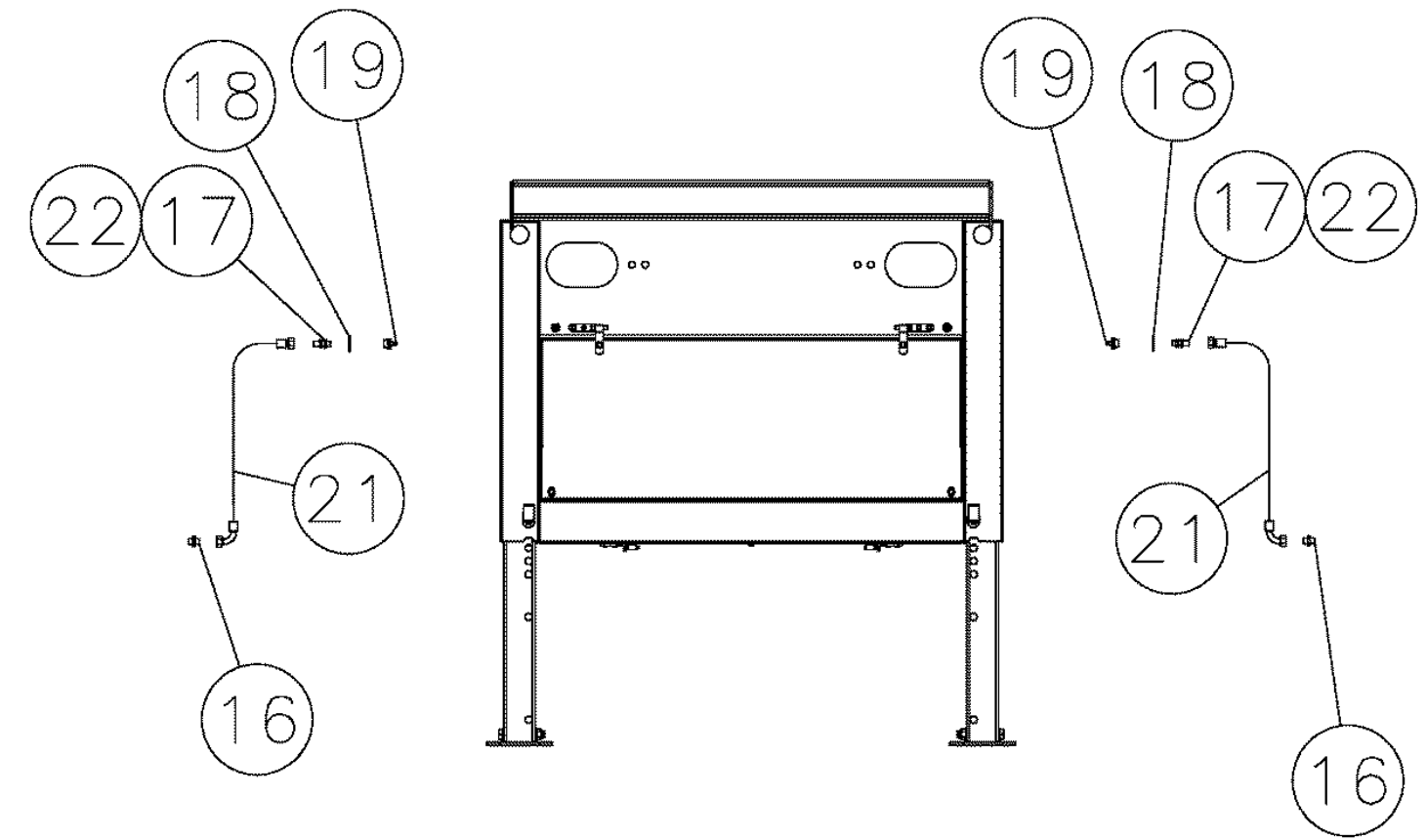
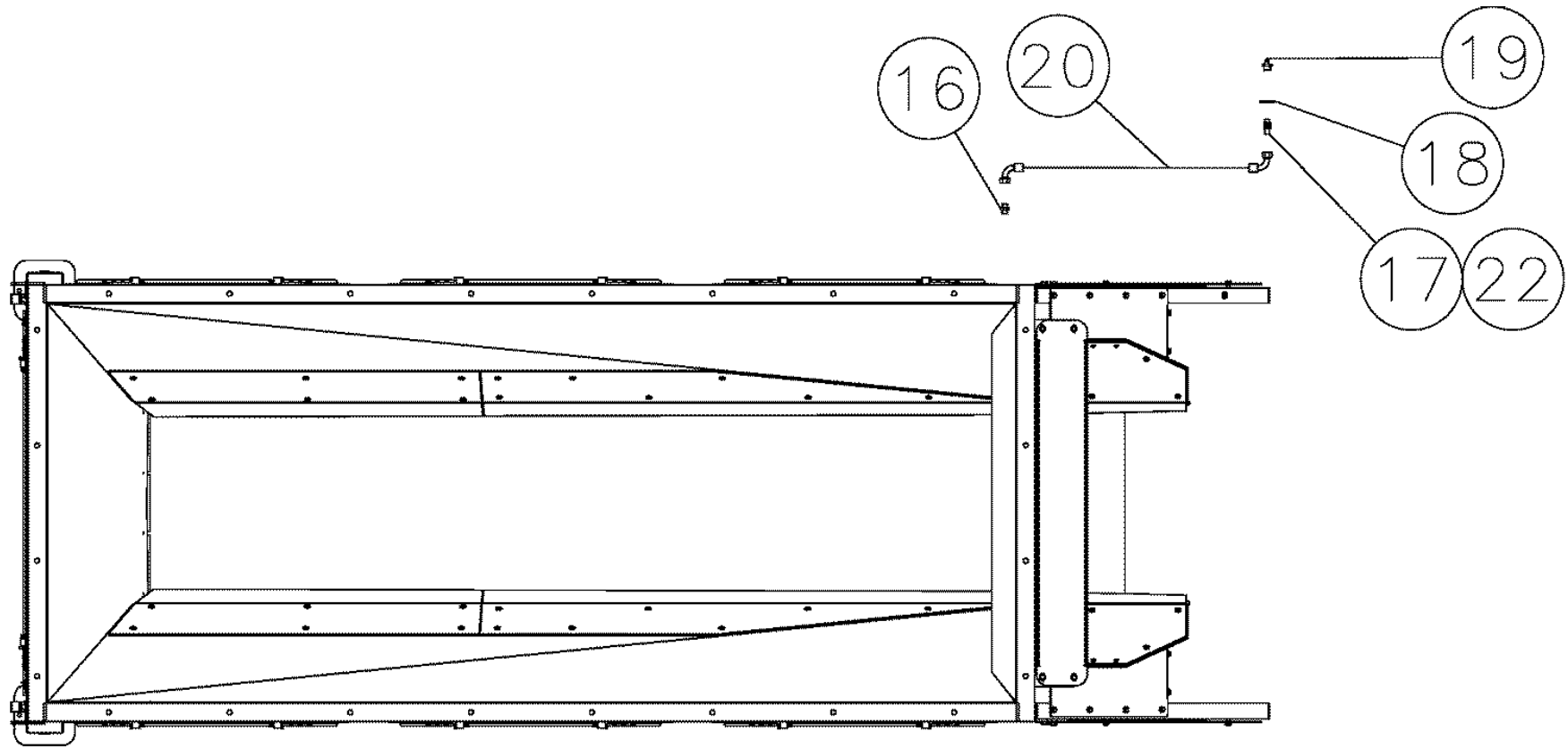
Pos.	Part No.	Description	Qty	Net Wght
1	N01626516	PLAIN WASHER	98	0.012
2	N01570216	NUT, HEXAGONAL	49	.196
3	N01532330	BOLT, HEXAGONAL	12	0.214
4	N01530333	BOLT, HEXAGONAL	12	0.23
5	N01530324	BOLT, HEXAGONAL	25	0.15
6	M09621	GUIDE PLATE	1	18.70
7	M09620	GUIDE PLATE	2	16.27
8	M09613	GRIZZLY FRAME ASSEMBLY	2	24.75
9	M09612	GRIZZLY FRAME ASSEMBLY	1	25.45
10	M09390	RUBBER SKIRT	1	37.0
11	M09385	CLAMP	1	2.83
12	M09384	CLAMP	2	3.06
13	M09201	BAR WELDING	25	28.1



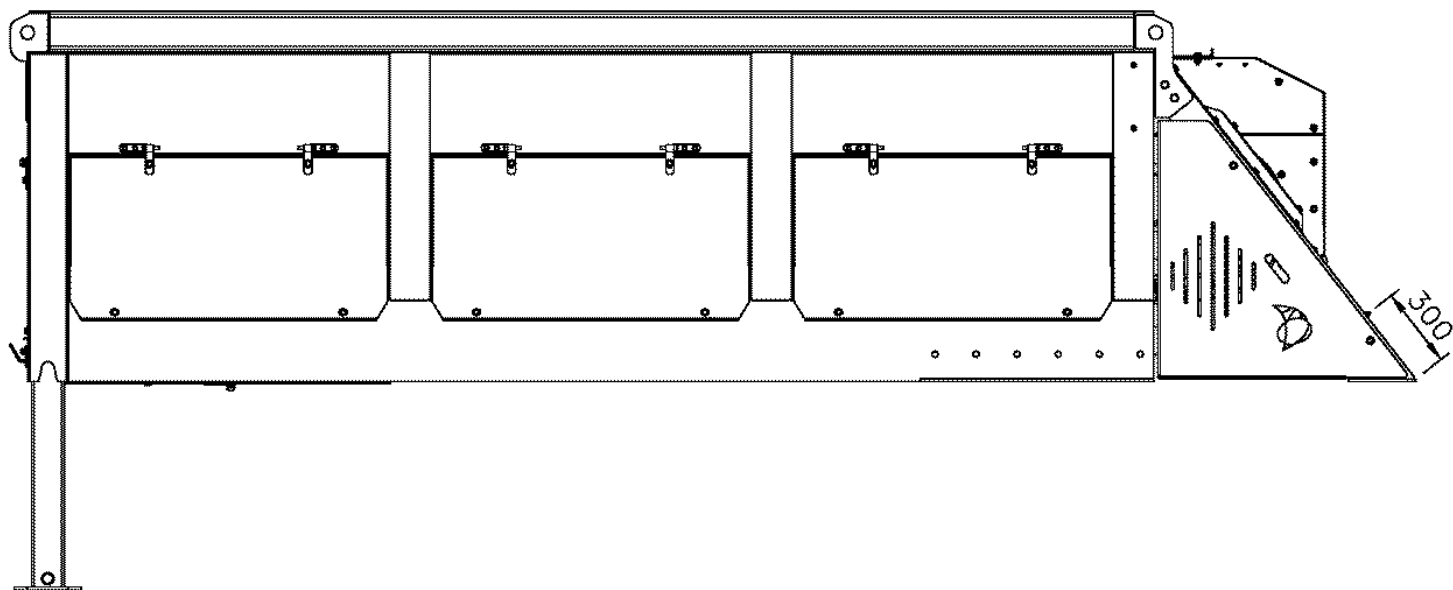
Pos.	Part No.	Description	Qty	Net Wght	Page
1	MM0328719	FEEDER UNIT	1	3385.2	99
2	N01530313	BOLT, HEXAGONAL	4	0.11	
3	704203927160	NUT, SELF-LOCKING	4	0.035	
4	N01626516	PLAIN WASHER	8	0.012	
5	7001570020	NUT, SELF-LOCKING	22	0.1	
6	N01626520	PLAIN WASHER	44	0.017	
7	N01530001	BOLT, HEXAGONAL	12	0.216	
8	N01530427	BOLT, HEXAGONAL	10	0.231	



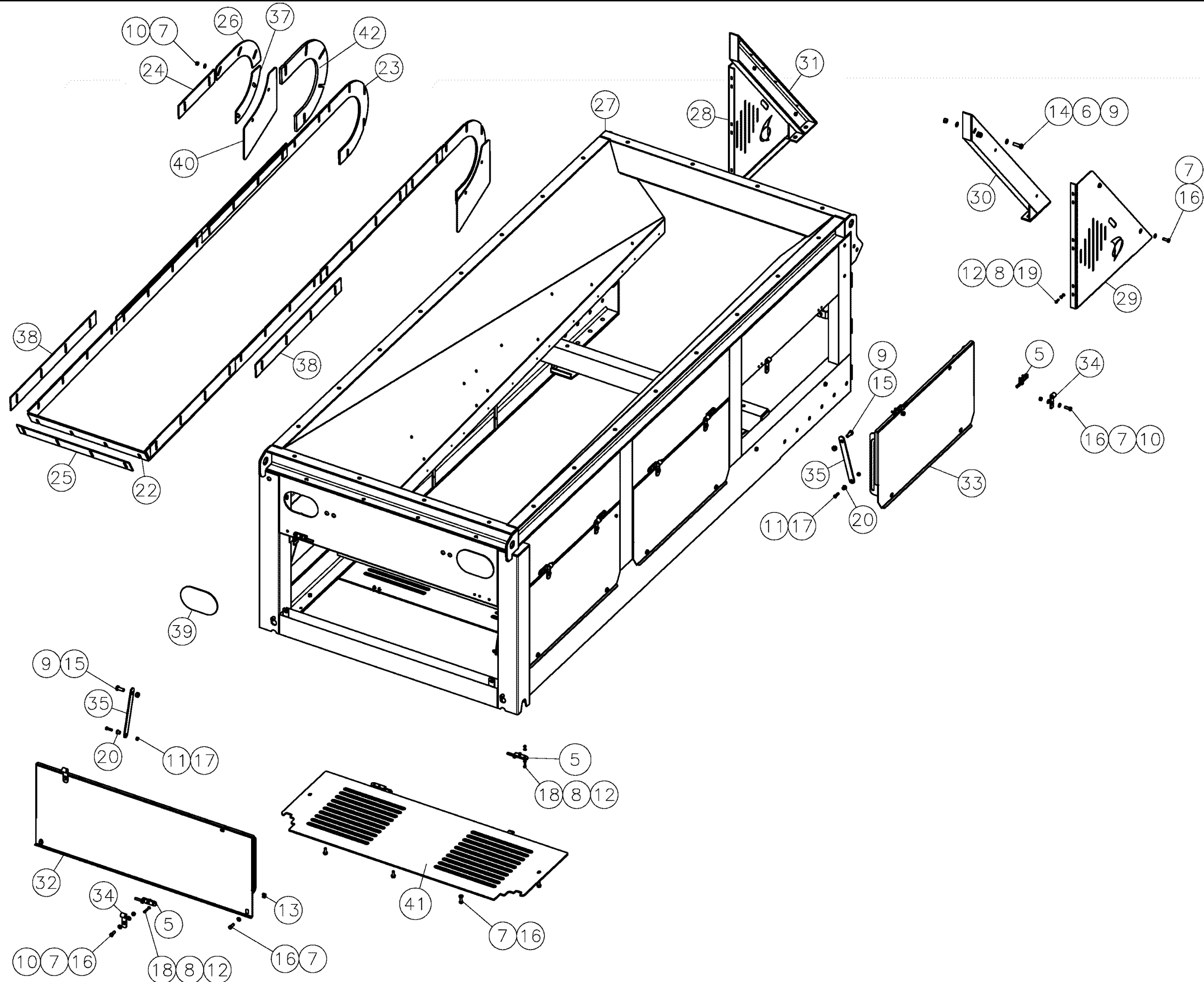
Pos.	Part No.	Description	Qty	Net Wght	Page
1	MM0328717	FEED HOPPER	1	1786.56	100
2	M09147	FEEDER	1	1350	101
3	MM0328276	OUTLET	1	75.12	105
4	M10024	SUPPORT ASSEMBLY	2	43.81	106
5	MM0328714	WEAR PLATE INSTALLATION	1	161.1	108
6	M02815-2	PIN	2		
7	M04848-52	PIN	2	0.9	
8	N01616900	SPRING PIN	2	.01	
9	N01530300	BOLT, HEXAGONAL	6	0.08	
10	N01530316	BOLT, HEXAGONAL	4	0.12	
11	704203927160	NUT, SELF-LOCKING	10	0.035	
12	704007040000	PLAIN WASHER	20	0.0113	
13	N01530197	BOLT, HEXAGONAL	1	0.05	
14	704203927120	NUT, SELF-LOCKING	1	0.01	
15	704006970000	PLAIN WASHER	1	0.01	
16	706300790056	CONNECTION	3	0.02	
17	706300790567	CONNECTION	3	0.041	
18	N02125889	WIRE MARKER	3		
19	704501672010	GREASE NIPPLE	3	0.01	
20	MM0321172	HYDRAULIC HOSE	1	.5	
21	MM0321173	HYDRAULIC HOSE	2	1	
22	MM0310096	CONNECTION	3	0.042	
23	MM0328781	PIPING, HYDRAULIC	1		109



FEEDER GREASING HOSES

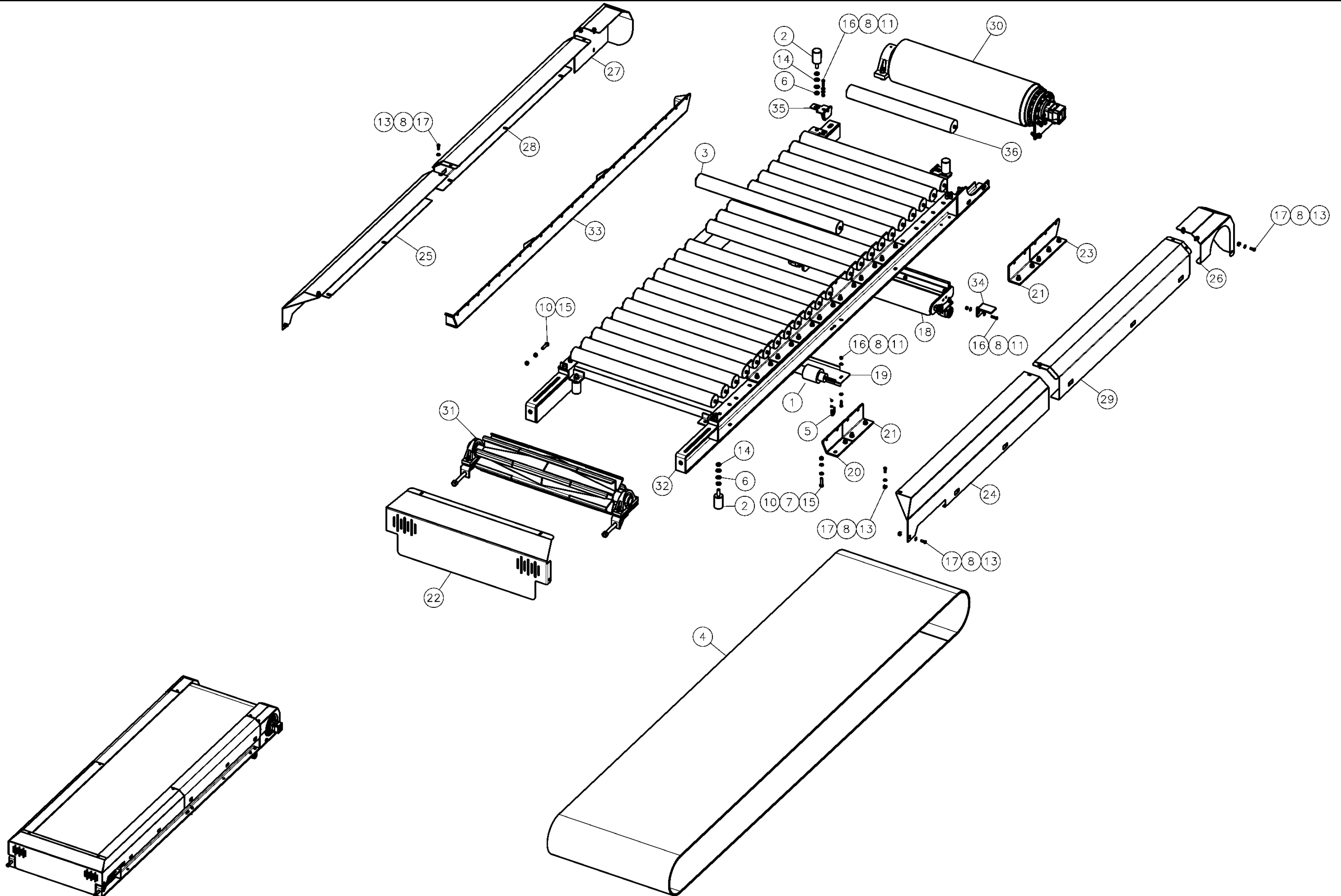


Pos.	Part No.	Description	Qty	Net Wght	Page
1	MM0328717	FEED HOPPER	1	1786.56	100
2	M09147	FEEDER	1	1350	101
3	MM0328276	OUTLET	1	75.12	105
4	M10024	SUPPORT ASSEMBLY	2	43.81	106
5	MM0328714	WEAR PLATE INSTALLATION	1	161.1	108
6	M02815-2	PIN	2		
7	M04848-52	PIN	2	0.9	
8	N01616900	SPRING PIN	2	.01	
9	N01530300	BOLT, HEXAGONAL	6	0.08	
10	N01530316	BOLT, HEXAGONAL	4	0.12	
11	704203927160	NUT, SELF-LOCKING	10	0.035	
12	704007040000	PLAIN WASHER	20	0.0113	
13	N01530197	BOLT, HEXAGONAL	1	0.05	
14	704203927120	NUT, SELF-LOCKING	1	0.01	
15	704006970000	PLAIN WASHER	1	0.01	
16	706300790056	CONNECTION	3	0.02	
17	706300790567	CONNECTION	3	0.041	
18	N02125889	WIRE MARKER	3		
19	704501672010	GREASE NIPPLE	3	0.01	
20	MM0321172	HYDRAULIC HOSE	1	.5	
21	MM0321173	HYDRAULIC HOSE	2	1	
22	MM0310096	CONNECTION	3	0.042	
23	MM0328781	PIPING, HYDRAULIC	1		109

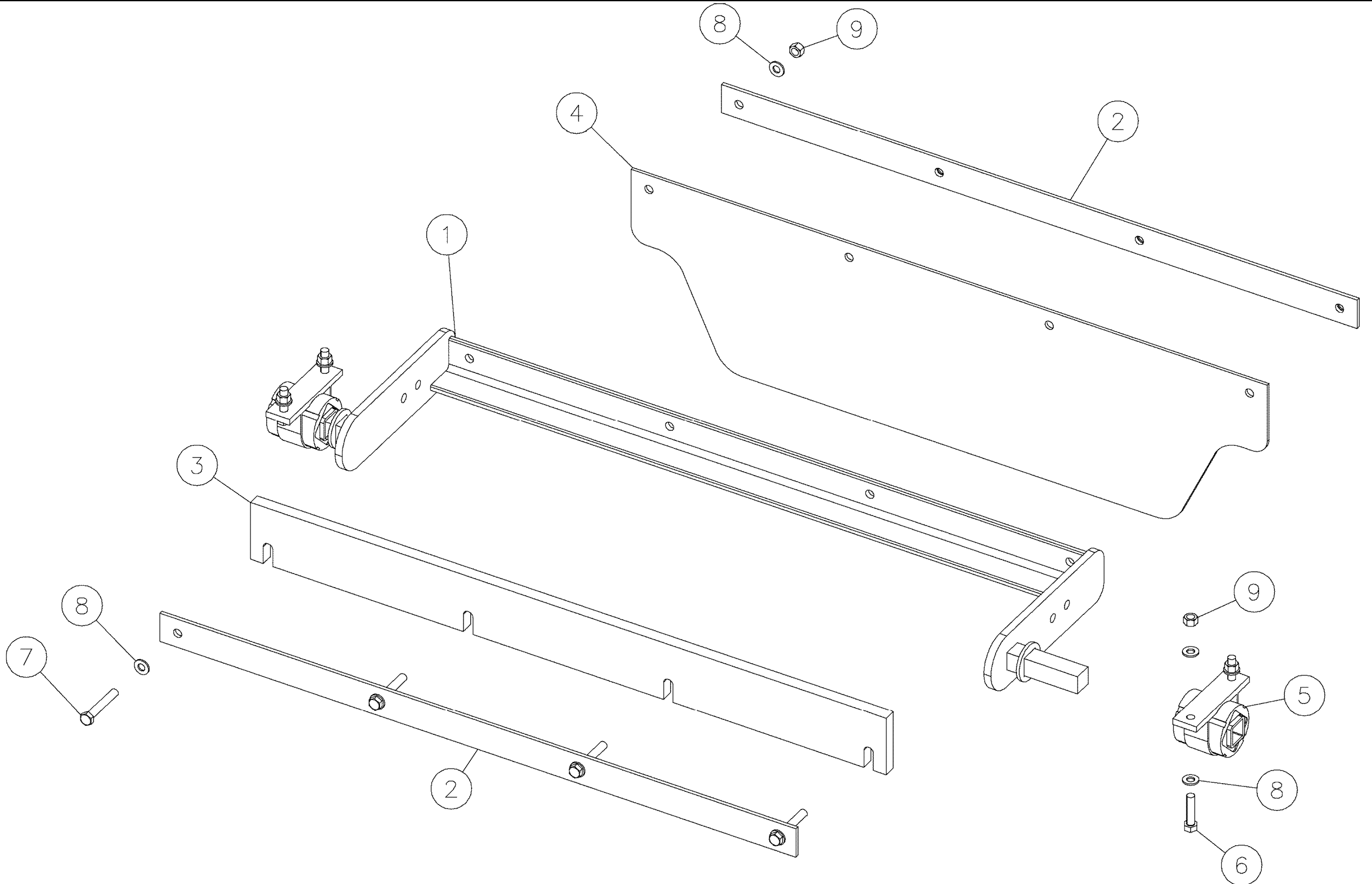




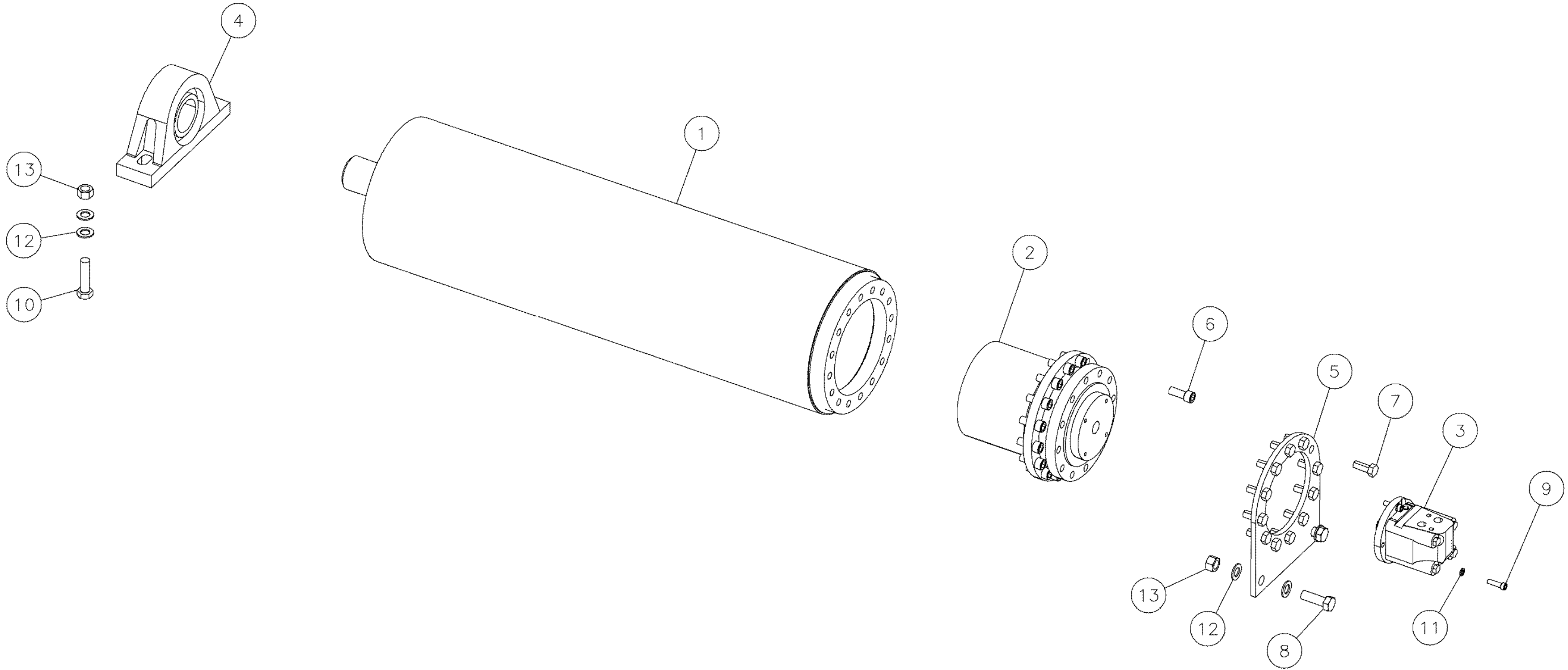
Pos.	Part No.	Description	Qty	Net Wght
5	N01658100	HINGE	16	
6	N01626516	PLAIN WASHER	8	0.012
7	704006970000	PLAIN WASHER	101	0.01
8	N01626508	PLAIN WASHER	76	0.013
9	N01570216	NUT, HEXAGONAL	18	.196
10	7001570012	NUT, SELF-LOCKING	56	0.01
11	N01570210	NUT, SELF-LOCKING	14	0.0051
12	704203927080	NUT, SELF-LOCKING	44	0.0056
13	N01565051	NUT	2	.01
14	N01530313	BOLT, HEXAGONAL	4	0.11
15	N01530300	BOLT, HEXAGONAL	14	0.08
16	N01530197	BOLT, HEXAGONAL	37	0.05
17	N01530140	SCREW, HEXAGONAL	10	0.03
18	N01530106	SCREW, HEXAGONAL	32	0.02
19	N01530104	SCREW, HEXAGONAL	12	0.01
20	M1596	BUSHING	14	0.025
22	M09348	PLATE, RUBBER	1	0.77
23	M09347	PLATE, RUBBER	2	4.14
24	M09343	CLAMP	2	2.00
25	M09342	CLAMP	1	3.01
26	MM0225665	CLAMP PLATE	2	2.8
27	MM0328706	FEED HOPPER WELDING	1	1380.92
28	M09276	DOOR	1	17.95
29	M09275	DOOR	1	17.95
30	M09266	HOPPER SUPPORT	1	22.98
31	M09264	HOPPER SUPPORT	1	22.98
32	M09262	DOOR	1	26.14
33	M09260	DOOR	6	19.58
34	M08669	HINGE	14	.18
35	M06560-1	PLATE	14	0.4
37	MM0225666	CLAMP PLATE	2	1.73
38	M02913-1	CLAMP	6	4.814
39	908962	COVERING PLATE	2	0.2
40	M09378	PLATE, RUBBER	2	0.45
41	MM0259460	HINGED PLATE	1	45.81
42	MM0257747	RUBBER	2	2.55



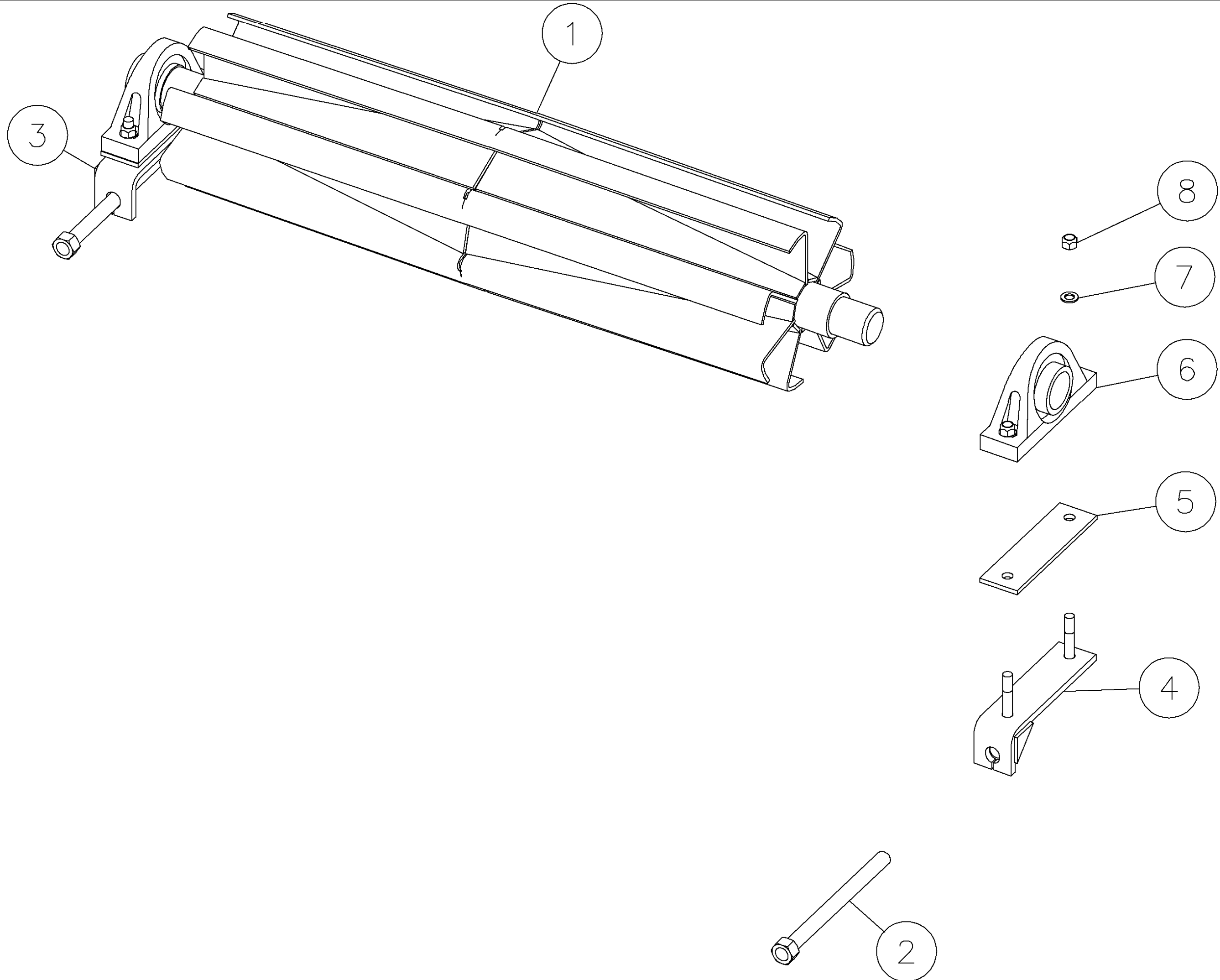
Pos.	Part No.	Description	Qty	Net Wght	Page
1	MM0264897	RETURN ROLLER	1	9.8	
2	MM0281393	ROLLER	4	1.3	
3	MM0281408	ROLLER	23	11.65	
4	N03005022	CONVEYOR BELT, ENDLESS	1	116	
5	N01841013	U-BOLT	2	0.05	
6	N01626520	PLAIN WASHER	8	0.017	
7	N01626516	PLAIN WASHER	56	0.012	
8	704006970000	PLAIN WASHER	24	0.01	
9	N01626508	PLAIN WASHER	4	0.013	
10	N01570216	NUT, HEXAGONAL	39	.196	
11	7001570012	NUT, SELF-LOCKING	6	0.01	
12	704203927080	NUT, SELF-LOCKING	4	0.0056	
13	N01565051	NUT	12	.01	
14	N01564020	NUT, HEXAGONAL	8	0.03	
15	N01530316	BOLT, HEXAGONAL	33	0.12	
16	N01530199	BOLT, HEXAGONAL	6	0.05	
17	N01530194	SCREW, HEXAGONAL	12	0.037	
18	M09151	SCRAPER ASSEMBLY	1	28.6	102
19	MM0265254	PLATE	1	5.7	
20	M09144	ROLLER BRACKET	1	4.10	
21	M09143	ROLLER BRACKET	9	3.08	
22	M09130	GUARD	1	19.19	
23	M09129	ROLLER BRACKET	1	6.69	
24	M09122	GUARD	1	20.51	
25	M09120	GUARD	1	22.13	
26	M09111	GUARD	1	5.6	
27	M09110	GUARD	1	8.43	
28	M09103	GUARD	1	23.21	
29	M09102	GUARD	1	21.63	
30	M09092	DRIVE DEVICE	1	175.7	103
31	M09087	DRIVE DEVICE	1	134.1	104
32	M09072	FEEDER	1	343.9	
33	M01864-1	ROLLER BRACKET	1	60.735	
34	M10073	SUPPORT PLATE	2	0.89	
35	MM0279249	ROLLER BRACKET	2	0.95	
36	N03906900	RETURN ROLLER	1	9.2	



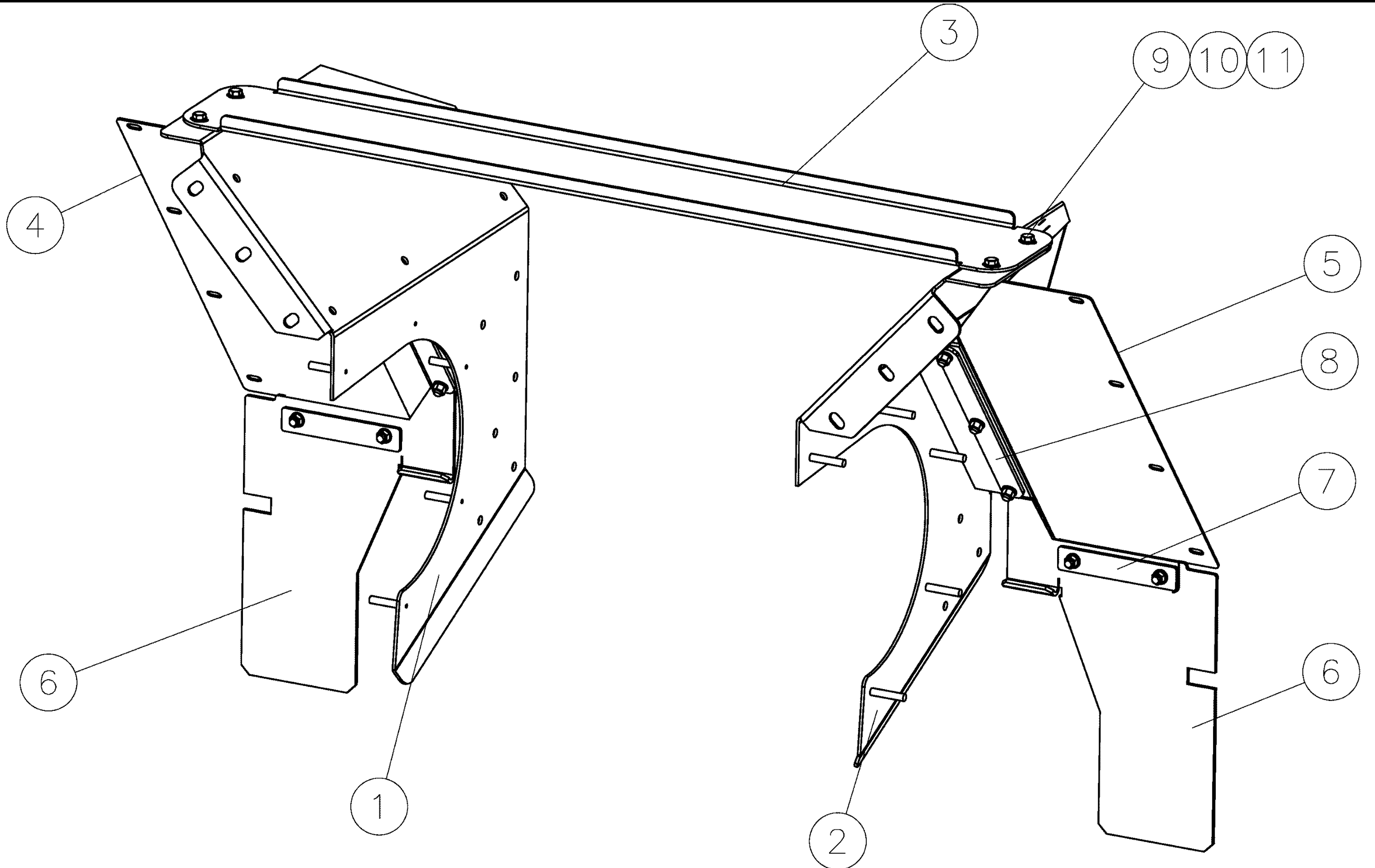
Pos.	Part No.	Description	Qty	Net Wght
1	M09014	BRACKET	1	15
2	M09013	CLAMP	2	2.5
3	M09012	SCRAPER RUBBER	1	7.4
4	M09150	RUBBER	1	1.13
5	N04205907	VIBRATION DAMPER	2	1.3
*	M11187	ADJUSTMENT PIECE	1	0.726
6	N01530204	SCREW, HEXAGONAL	4	0.05
7	N01530002	BOLT, HEXAGONAL	4	0.05
8	704006970000	PLAIN WASHER	16	0.01
9	7001570012	NUT, SELF-LOCKING	8	0.01



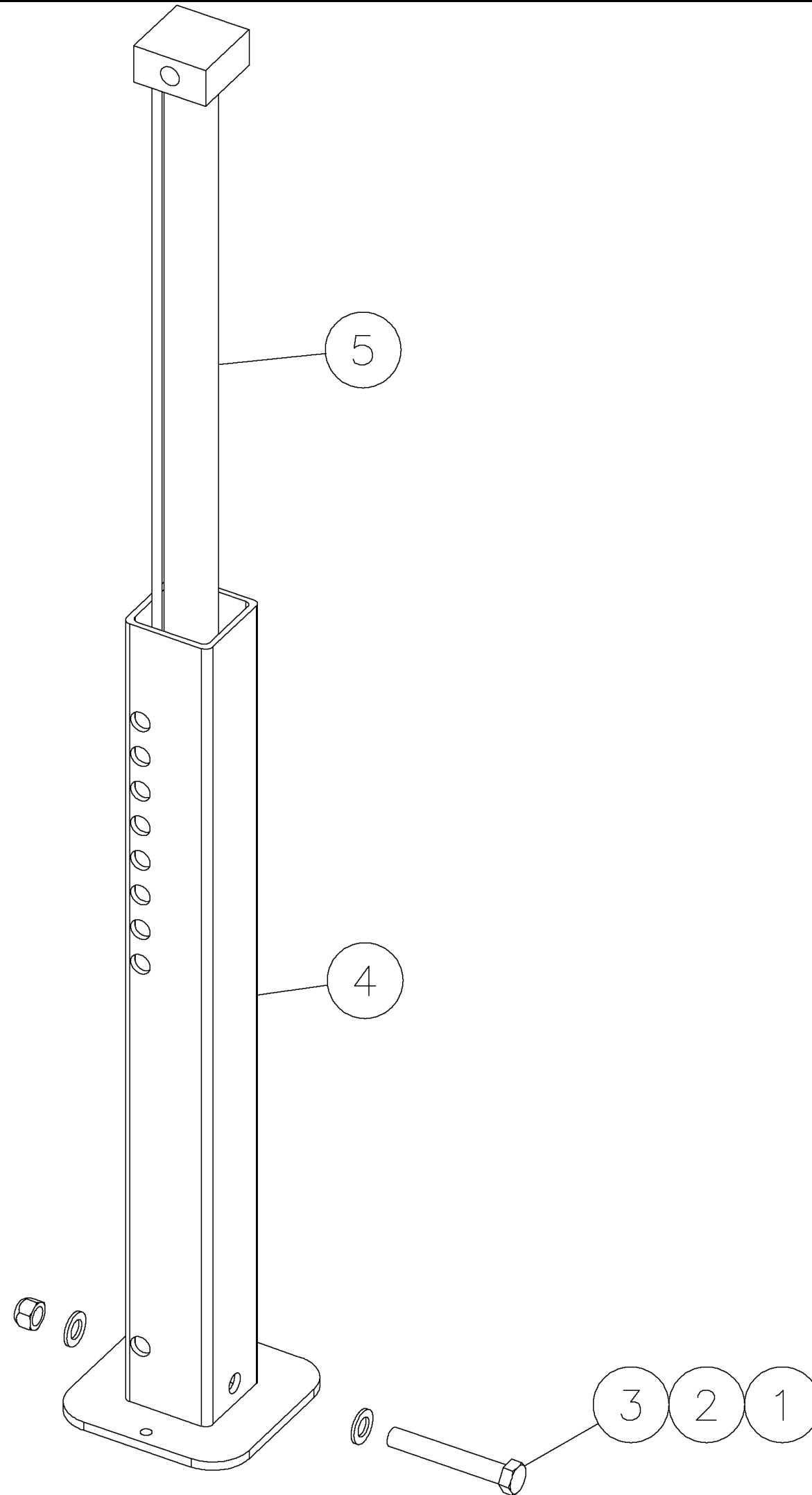
Pos.	Part No.	Description	Qty	Net Wght
1	M09088	DRIVE DRUM WELDING	1	174.4
2	MM0243323	GEAR	1	60.0
3	N05530646	HYDRAULIC MOTOR	1	10.5
*	N05530742	SEAL KIT	1	
4	MM0266182	BEARING UNIT	1	14.3
5	M01869-1	SUPPORT PLATE	1	4.626
6	N01538267	CAP SCREW, HXGNL SOCKET HEAD	16	0.091
7	N01530300	BOLT, HEXAGONAL	12	0.08
8	N01530001	BOLT, HEXAGONAL	2	0.216
9	N01540158	CAP SCREW, HXGNL SOCKET HEAD	4	0.03
10	N01530428	BOLT, HEXAGONAL	2	0.255
11	N01632110	WASHER, SPRING	4	
12	N01626520	PLAIN WASHER	8	0.017
13	N01570220	JAM NUT, HEXAGONAL	4	0.06



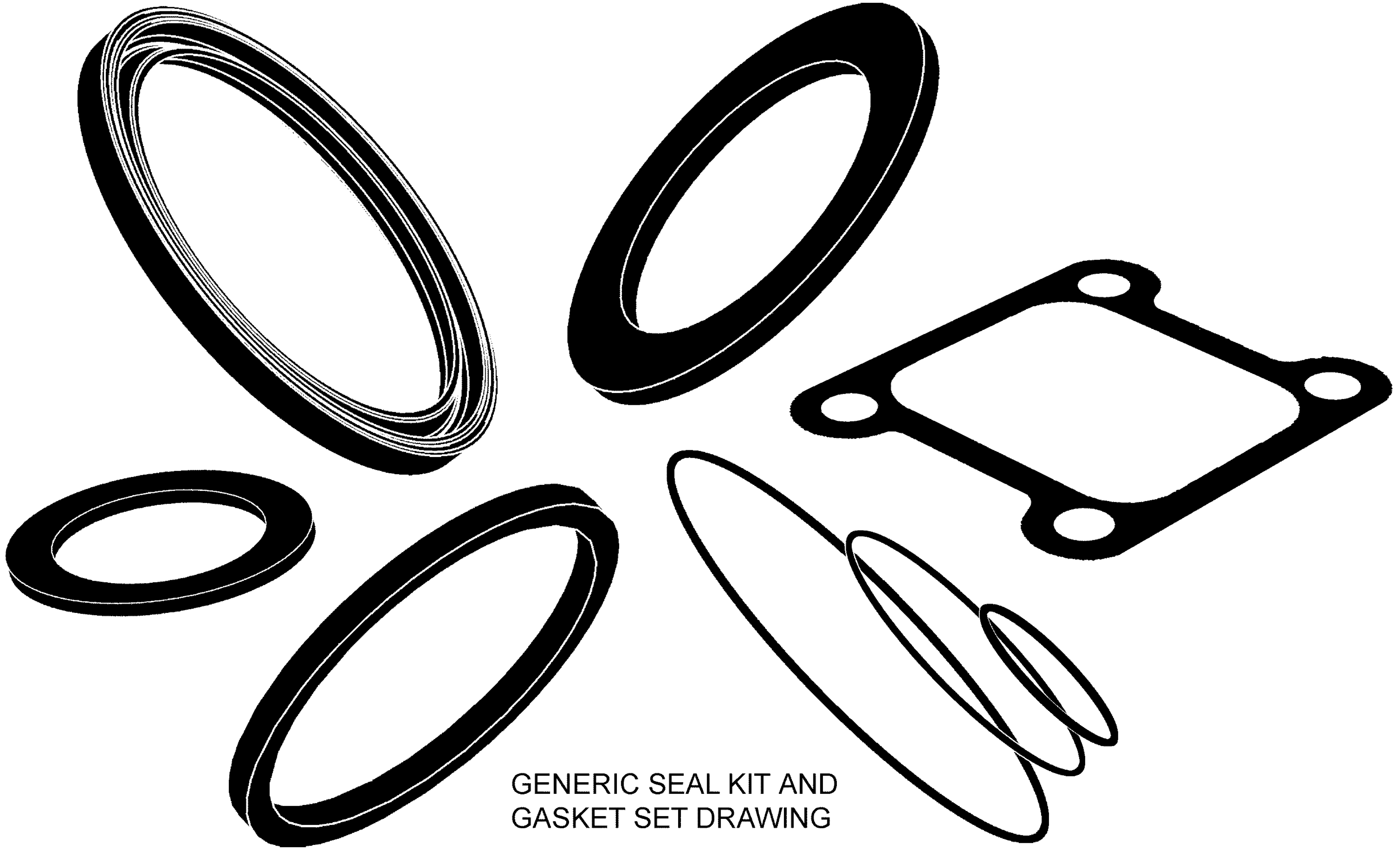
Pos.	Part No.	Description	Qty	Net Wght
1	M09083	DRUM	1	131.5
2	M01870-1	SCREW, ADJUSTING	2	1.361
3	M01862-1	BELT TENSIONER	1	2.616
4	M01863-1	ADJUSTING SUPPORT	1	2.616
5	M01865-1	PLATE	2	.2
6	MM0266173	BEARING UNIT	2	6.2
7	N01626516	PLAIN WASHER	4	0.012
8	N01570216	NUT, HEXAGONAL	4	.196



Pos.	Part No.	Description	Qty	Net Wght
1	MM0328274	BRACKET	1	20.84
2	MM0328253	BRACKET	1	20.84
3	M09337	DISCHARGE PLATE	1	14.17
4	M06733-1	SIDE PLATE	1	7
5	M06457-1	SIDE PLATE	1	7
6	M06734-1	RUBBER	2	0.9
7	M06455-1	CLAMP	2	3.2
8	M06456-1	CLAMP	2	6.4
9	704006970000	PLAIN WASHER	28	0.01
10	N01530197	BOLT, HEXAGONAL	14	0.05
11	804203927130	NUT, SELF-LOCKING	14	0.01



Pos.	Part No.	Description	Qty	Net Wght	Page
1	704007190000	PLAIN WASHER	2	0.03	
2	N01565003	NUT, HEXAGONAL	1	0.094	
3	N01530550	BOLT, HEXAGONAL	1	0.7	
4	M09268	SUPPORT LEG	1	35.01	
5	MM0237494	HYDRAULIC CYLINDER	1	20	107

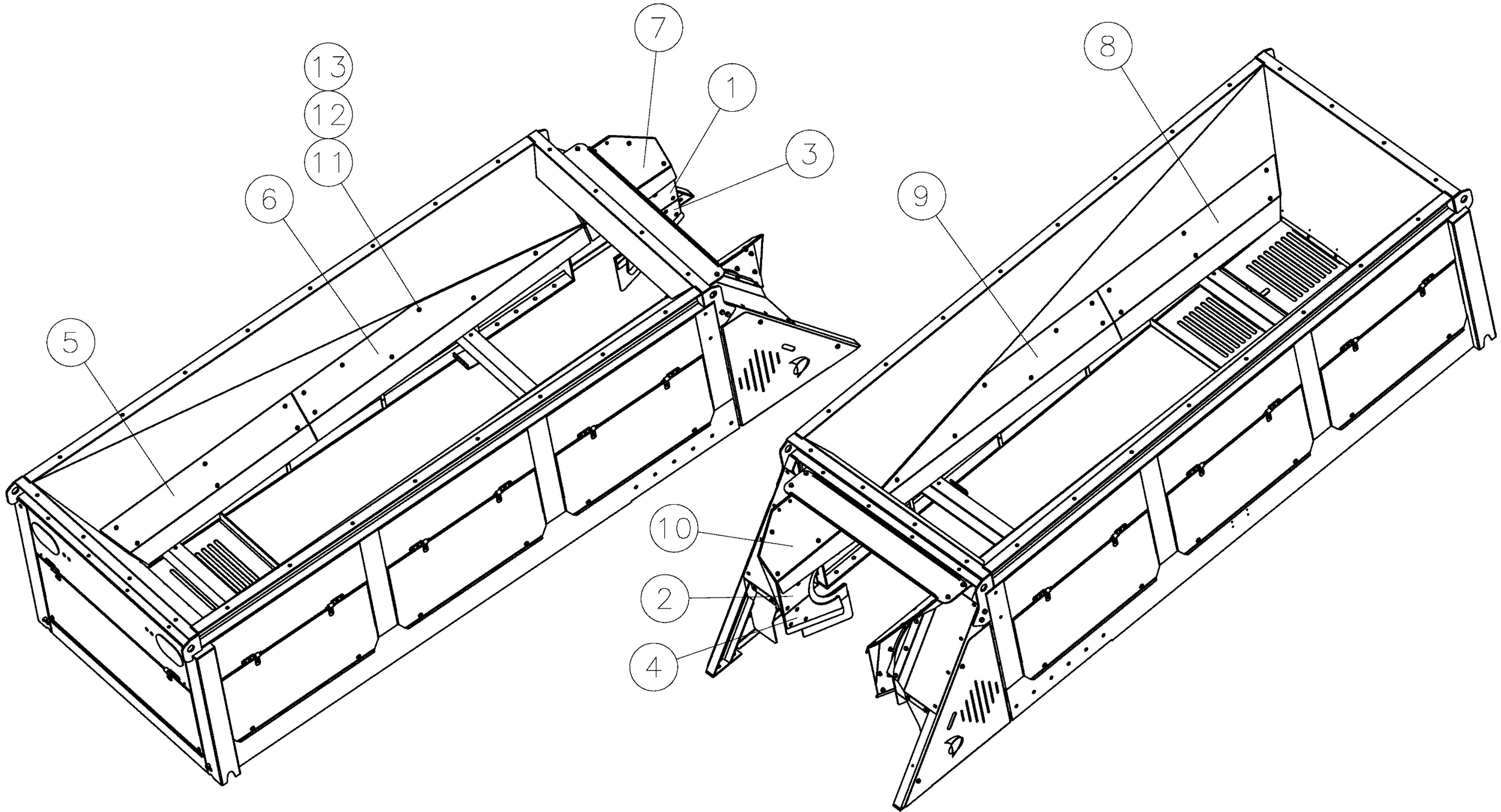


GENERIC SEAL KIT AND
GASKET SET DRAWING

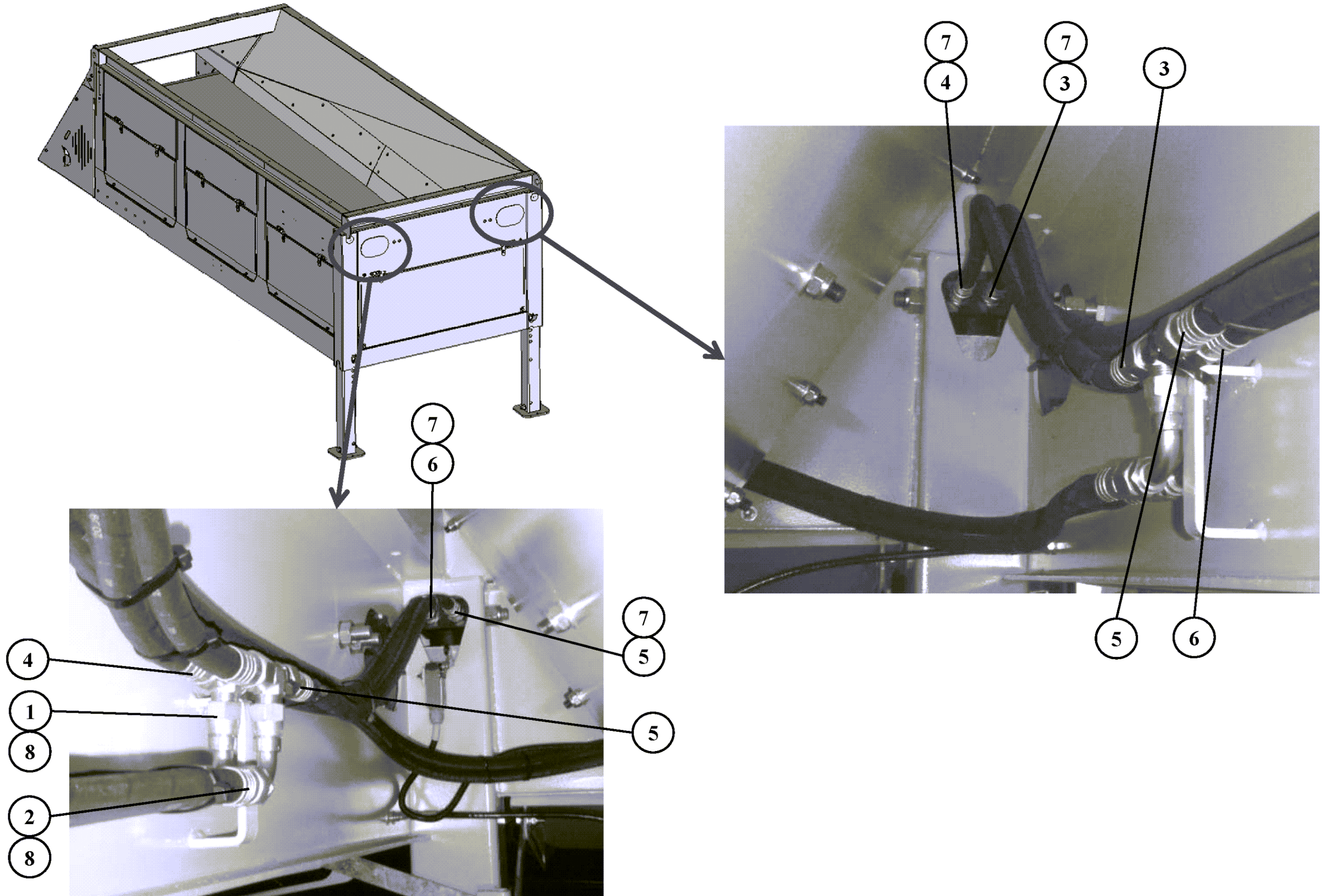


Lokotrack ST3.8 s/n 76292
MM0237494_0 HYDRAULIC CYLINDER

Pos.	Part No.	Description	Qty	Net Wght
0	MM0237895	SEAL KIT	1	0.01



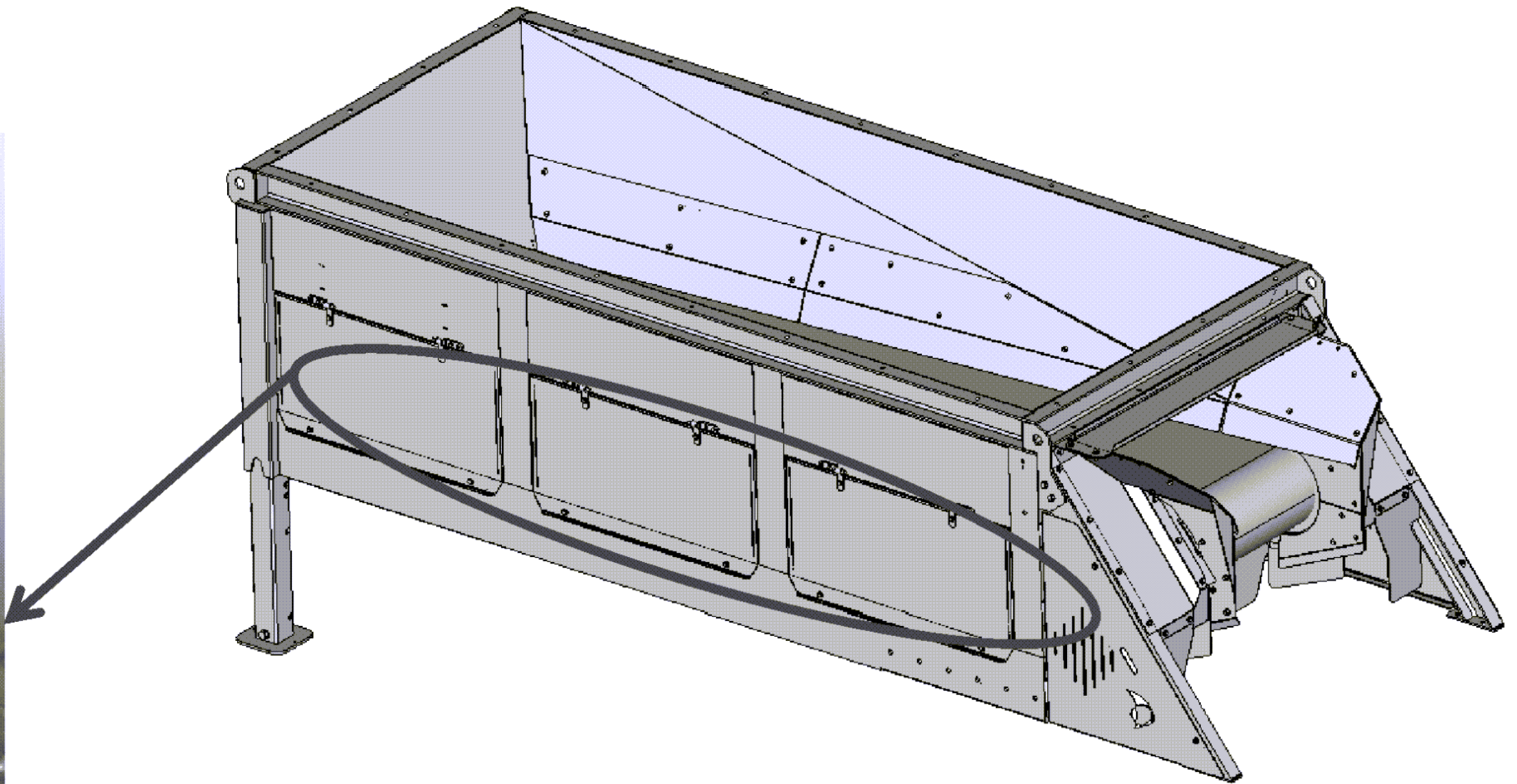
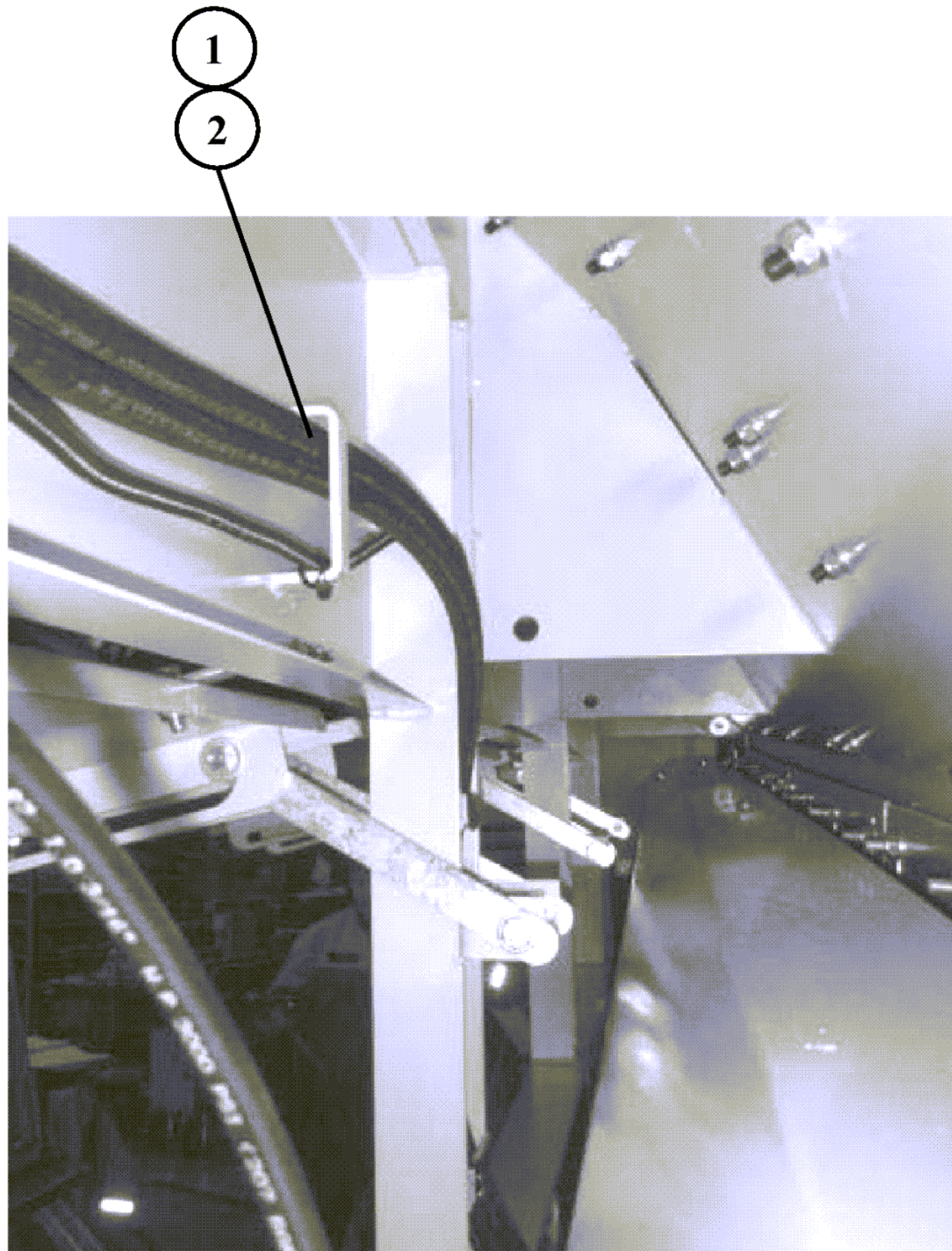
Pos.	Part No.	Description	Qty	Net Wght
1	MM0328940	WEAR PLATE	1	3.51
2	MM0328941	WEAR PLATE	1	3.51
3	MM0328942	WEAR PLATE	1	2.95
4	MM0328943	WEAR PLATE	1	2.95
5	MM0328945	WEAR PLATE	1	26.21
6	MM0328946	WEAR PLATE	1	31.97
7	MM0328948	WEAR PLATE	1	14.67
8	MM0328949	WEAR PLATE	1	26.21
9	MM0328952	WEAR PLATE	1	31.97
10	MM0328953	WEAR PLATE	1	14.67
11	704501385500	SCREW, HEXAGON SOCKET COUNTERSUNK HEAD	48	0.03
12	704203927120	NUT, SELF-LOCKING	48	0.01
13	704006970000	PLAIN WASHER	48	0.01



Pos.	Part No.	Description	Qty	Net Wght
1	MM0318002	HYDRAULIC HOSE	1	
2	MM0318002	HYDRAULIC HOSE	1	
3	N44460584	HYDRAULIC HOSE	1	0.69
4	N44460584	HYDRAULIC HOSE	1	0.69
5	N44460584	HYDRAULIC HOSE	1	0.69
6	N44460584	HYDRAULIC HOSE	1	0.69
7	706300790065	CONNECTION	4	0.103
8	706300790550	EQUAL TEE	2	0.18

Mark hose 1 loose end: **A**

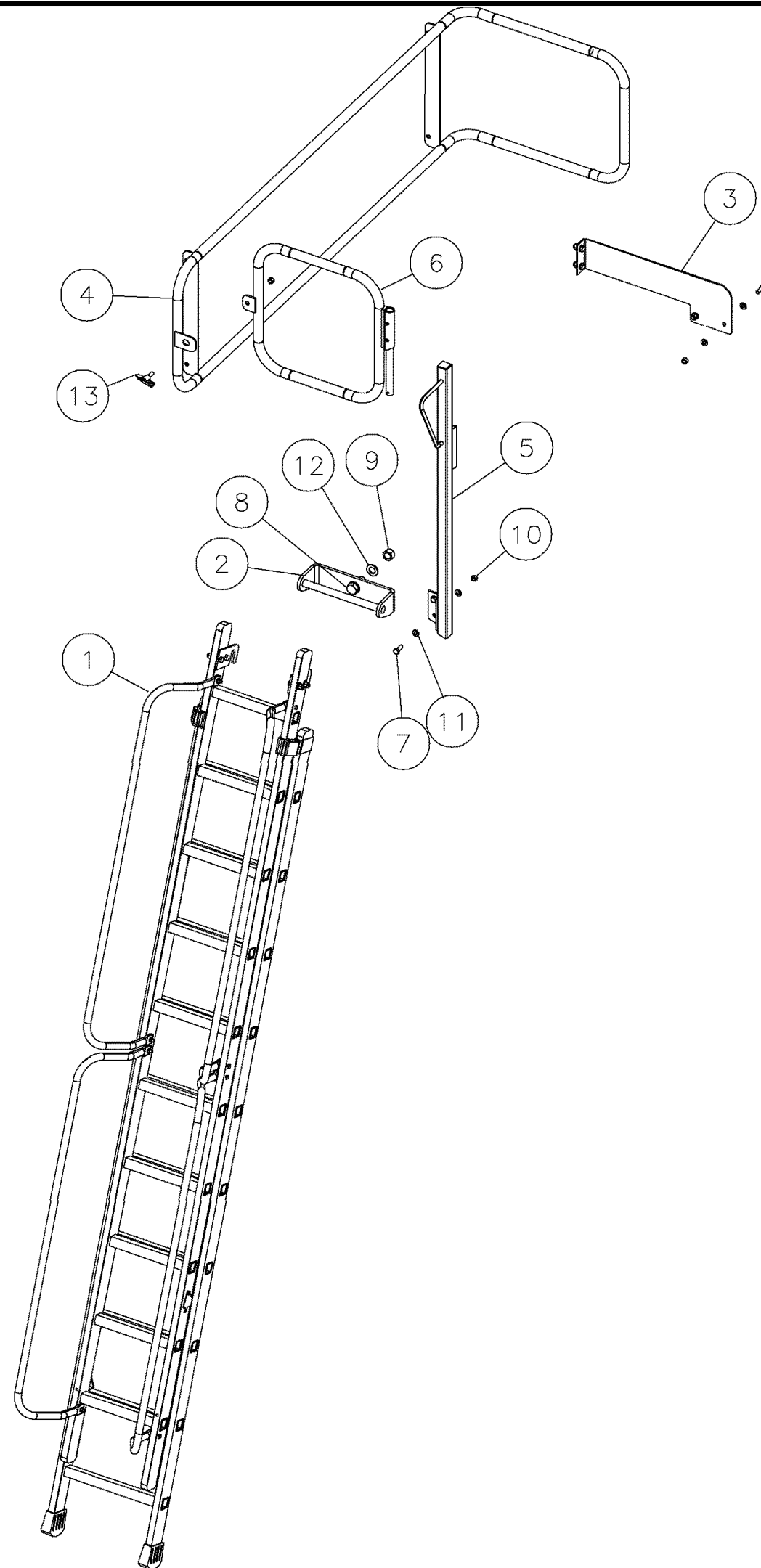
Mark hose 2 loose end: **B**



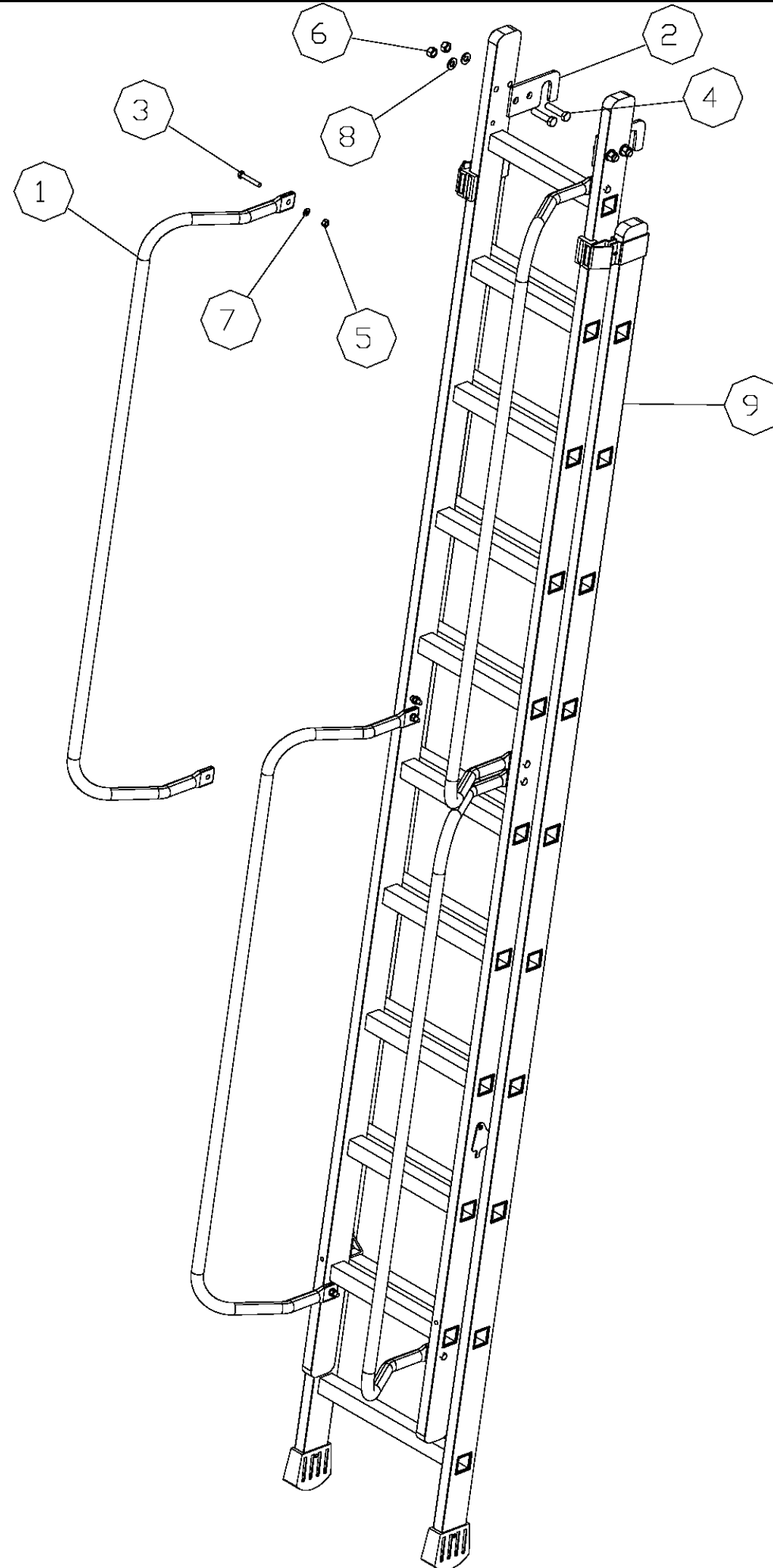


Lokotrack ST3.8 s/n 76292
MM0328781_0_2 PIPING, HYDRAULIC

Pos.	Part No.	Description	Qty	Net Wght
1	MM0318002	HYDRAULIC HOSE	1	
2	MM0318002	HYDRAULIC HOSE	1	
3	N44460584	HYDRAULIC HOSE	1	0.69
4	N44460584	HYDRAULIC HOSE	1	0.69
5	N44460584	HYDRAULIC HOSE	1	0.69
6	N44460584	HYDRAULIC HOSE	1	0.69
7	706300790065	CONNECTION	4	0.103
8	706300790550	EQUAL TEE	2	0.18

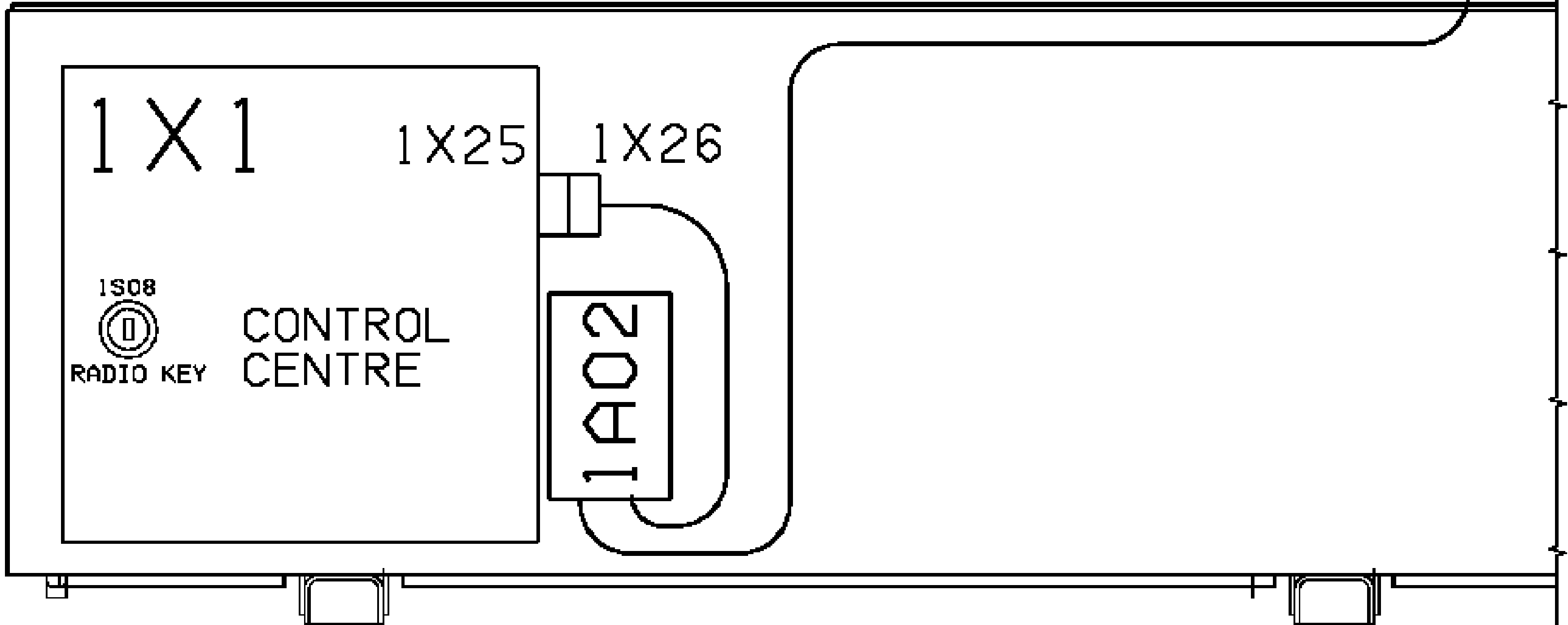


Pos.	Part No.	Description	Qty	Net Wght	Page
1	M05188-1	LADDER	1	15	111
2	M05191-1	SUPPORT ASSEMBLY	1	4.344	
3	M09715	PLATE	1	2.86	
4	M09800	HAND RAIL	1	21.6	
5	M09801	SUPPORT ASSEMBLY	1	5.8	
6	M09803	GATE	1	8.2	
7	N01530194	SCREW, HEXAGONAL	6	0.037	
8	N01530514	SCREW, HEXAGONAL	1	0.3	
9	N01565003	NUT, HEXAGONAL	1	0.094	
10	7001570012	NUT, SELF-LOCKING	7	0.01	
11	704006970000	PLAIN WASHER	12	0.01	
12	704007190000	PLAIN WASHER	2	0.03	
13	N01685506	CLIP	1	0.116	



Pos.	Part No.	Description	Qty	Net Wght
1	M05185-1	HAND RAIL	4	2.5
2	M05187-1	PLATE	2	0.374
3	N01530113	BOLT, HEXAGONAL	8	0.02
4	N01530204	SCREW, HEXAGONAL	4	0.05
5	704203927080	NUT, SELF-LOCKING	8	0.0056
6	7001570012	NUT, SELF-LOCKING	4	0.01
7	N01626508	PLAIN WASHER	8	0.013
8	704006970000	PLAIN WASHER	4	0.01
9	N01852007	LADDER	1	

CONTROL CENTRE MODUL



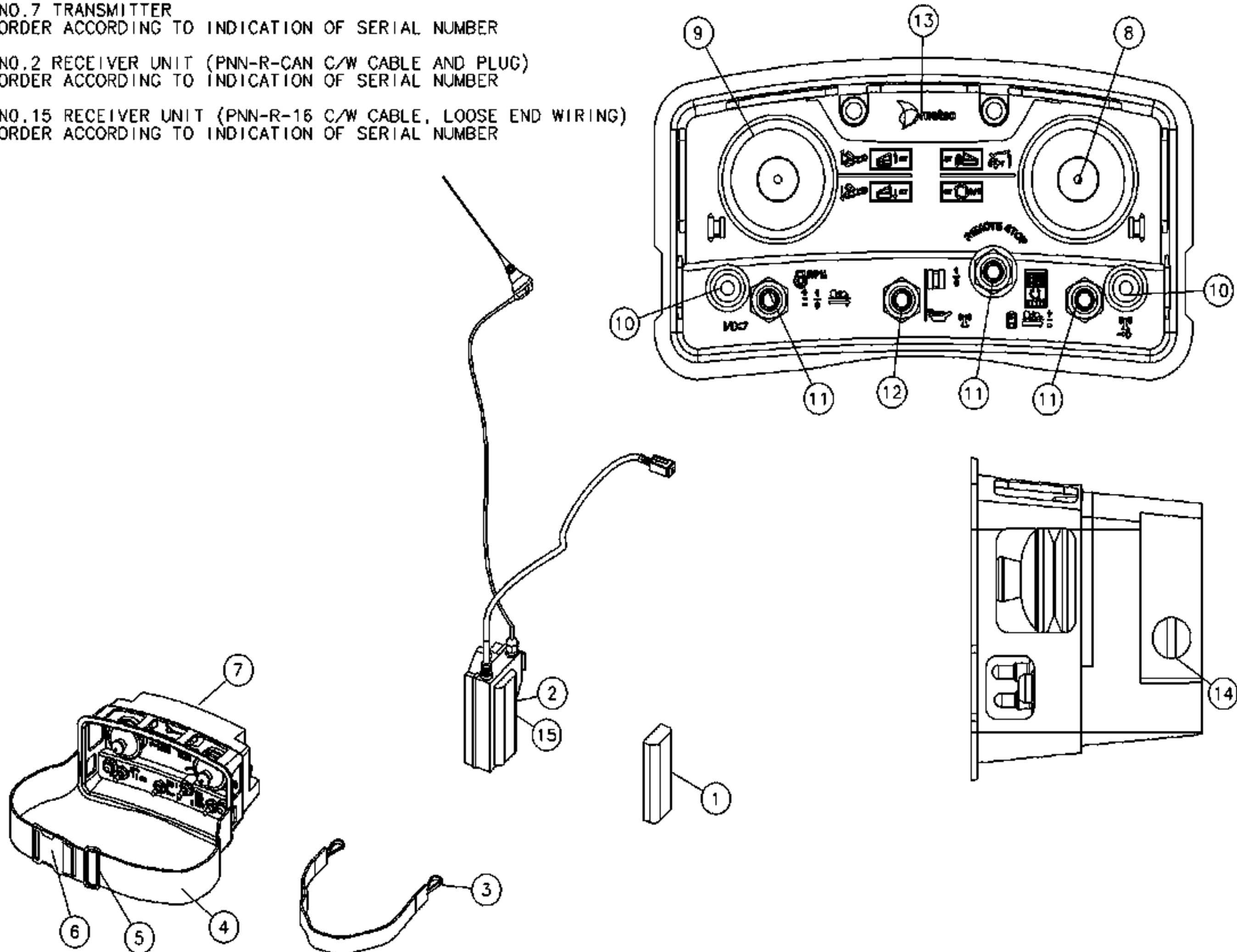
Pos.	Part No.	Description	Qty	Net Wght	Page
1	N11450226	RADIO CONTROL	1	5	113
1S08	N05256543	KEY SWITCH	1	0.01	

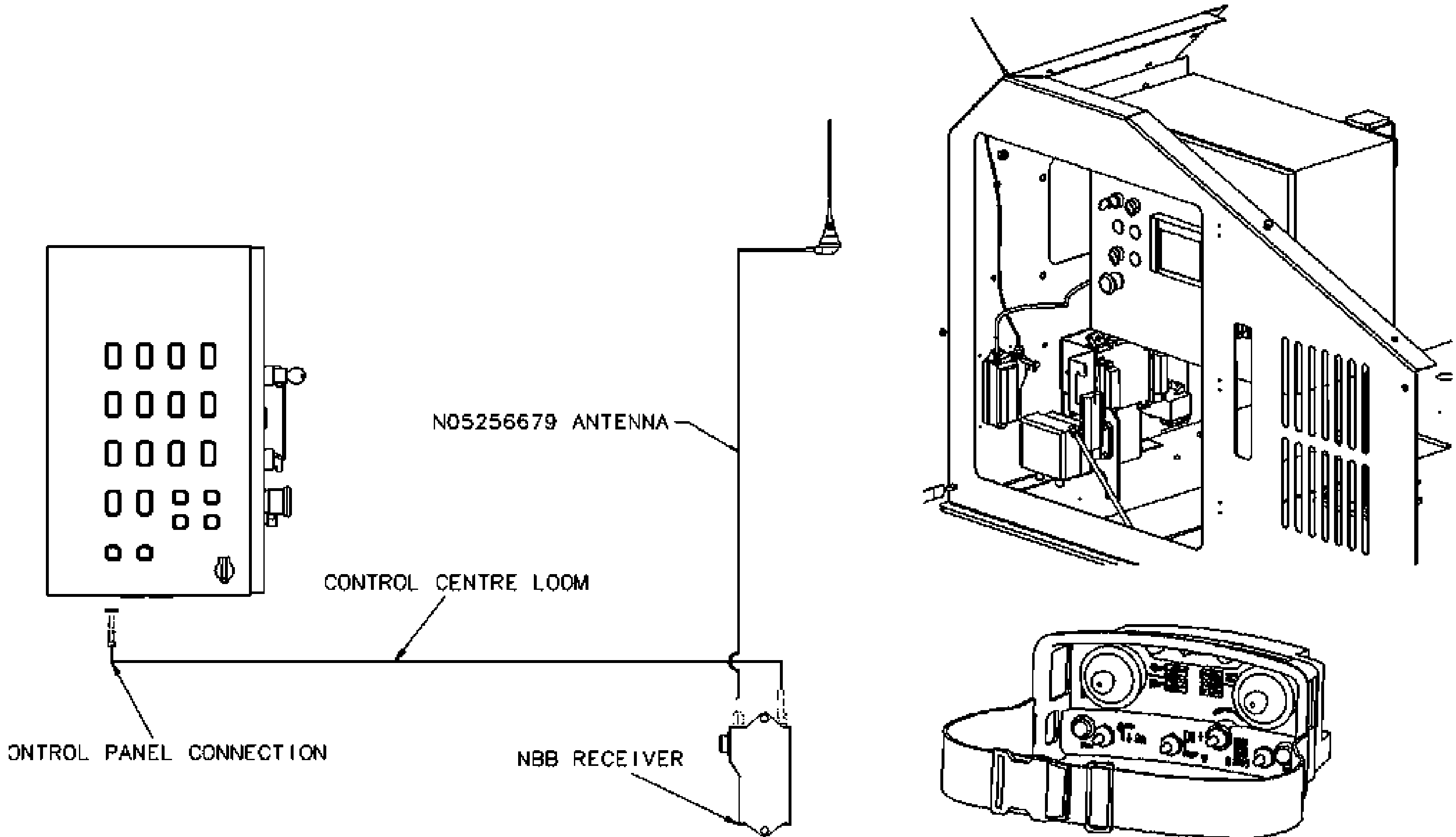
NOTES:

NO.7 TRANSMITTER
ORDER ACCORDING TO INDICATION OF SERIAL NUMBER

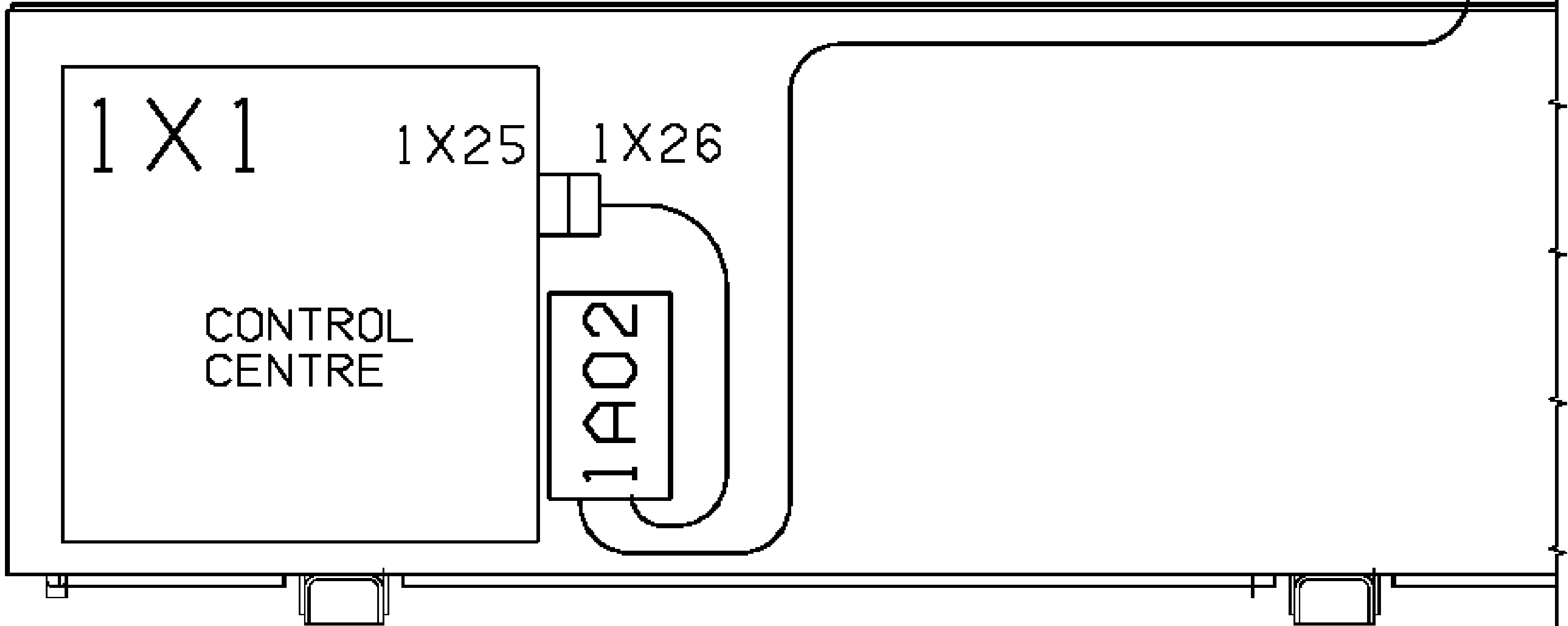
NO.2 RECEIVER UNIT (PNN-R-CAN C/W CABLE AND PLUG)
ORDER ACCORDING TO INDICATION OF SERIAL NUMBER

NO.15 RECEIVER UNIT (PNN-R-16 C/W CABLE, LOOSE END WIRING)
ORDER ACCORDING TO INDICATION OF SERIAL NUMBER



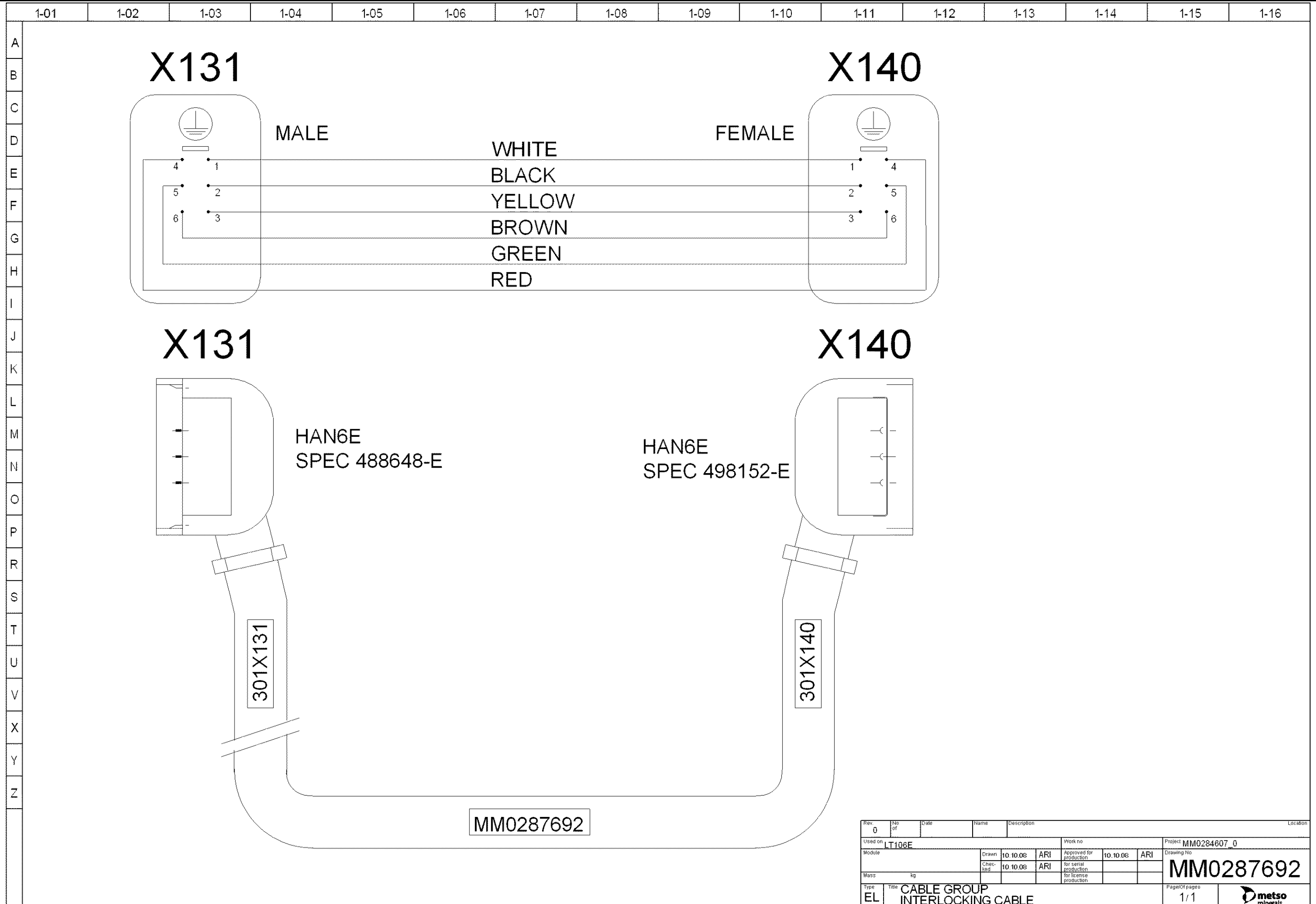


CONTROL CENTRE MODUL



Description

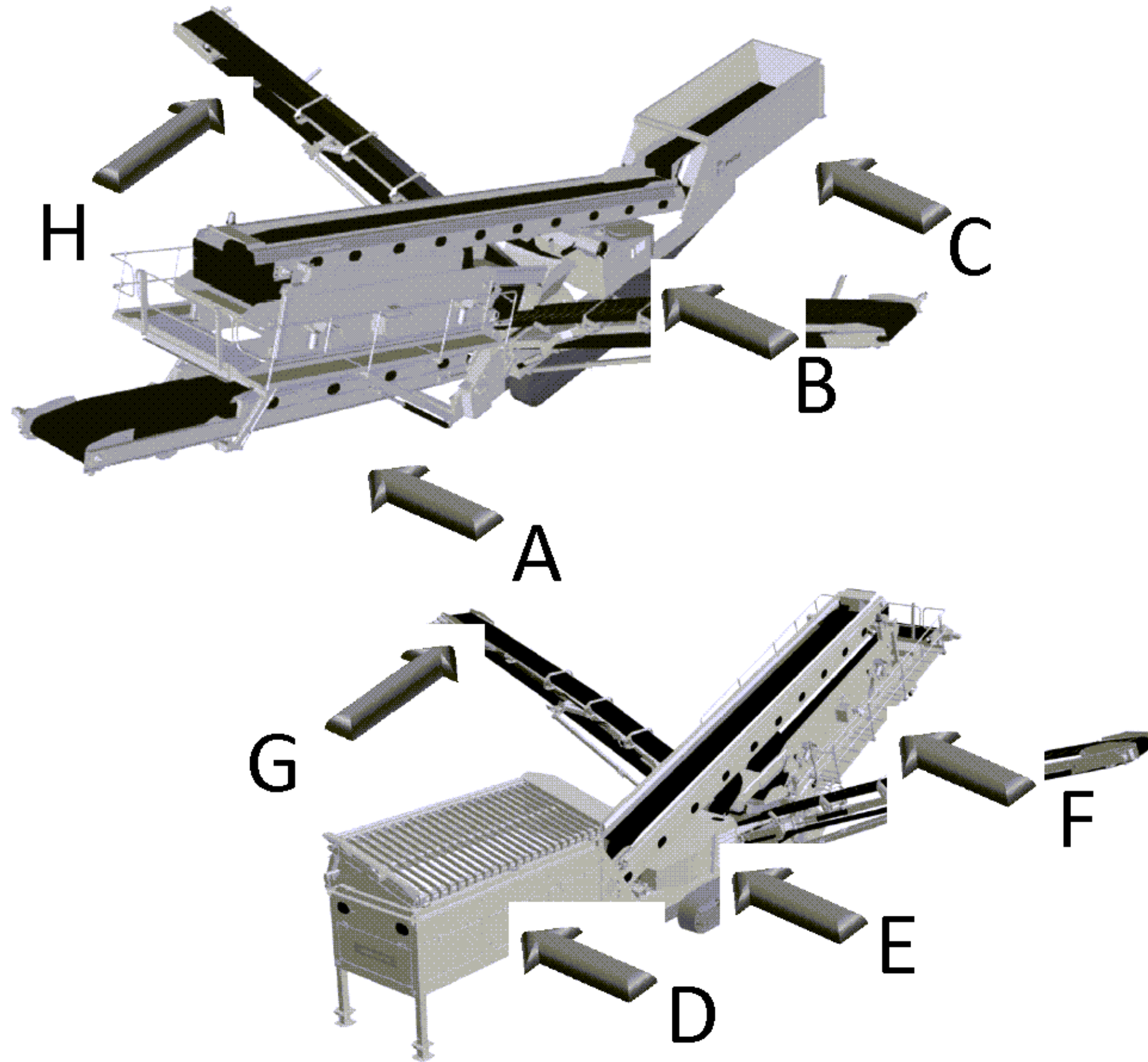
THIS PAGE HAS BEEN LEFT INTENTIONALLY BLANK



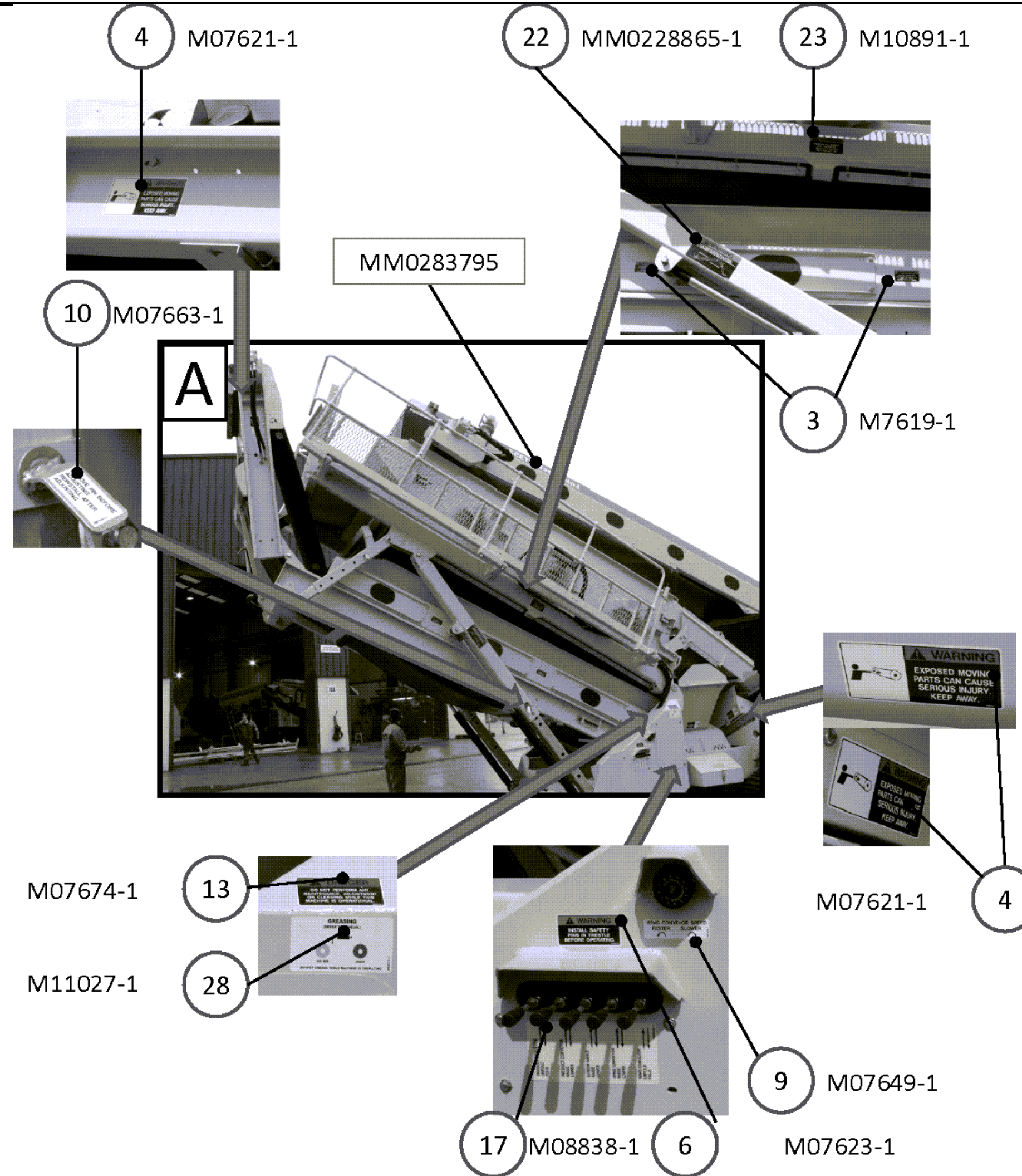
Rev.	No. of	Date	Name	Description	Location
0					
Used on		Module		Work no	Project
LT106E					MM0284607_0
Drawn		Checked		Approved for production	Approved for license production
10.10.08		10.10.08		ARI	ARI
ARI		ARI			
Mass		kg		Drawing No	
				MM0287692	
Type	Title			Page/Of pages	
EL	CABLE GROUP INTERLOCKING CABLE			1/1	

Pos.	Part No.	Description	Qty	Net Wght
301	707600410300	CABLE	1	
X131	707301593780	SOCKET PLUG	1	0.1
X140	707301593782	SOCKET	1	0.2

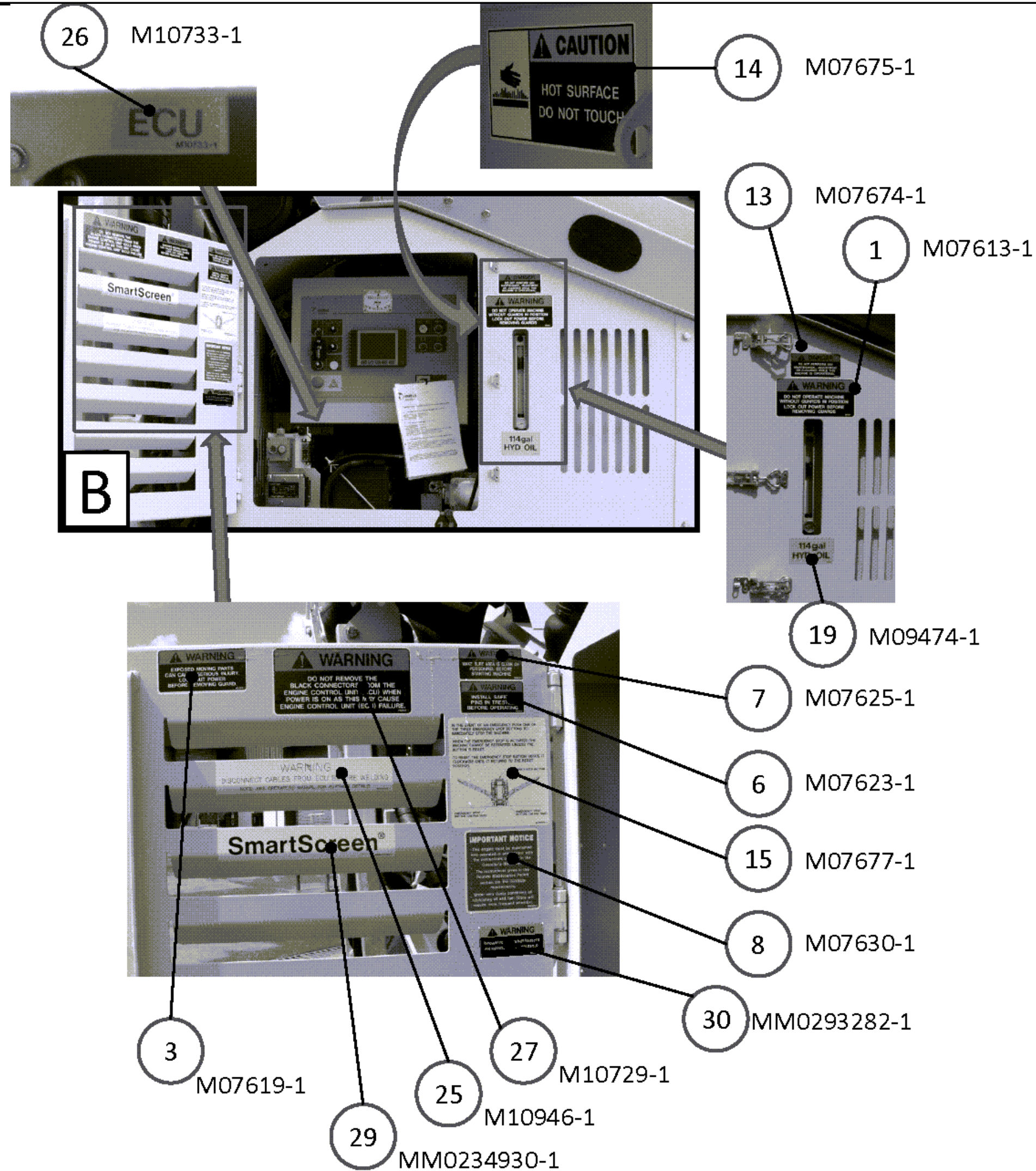
REFERENCE VIEWS FROM A - H



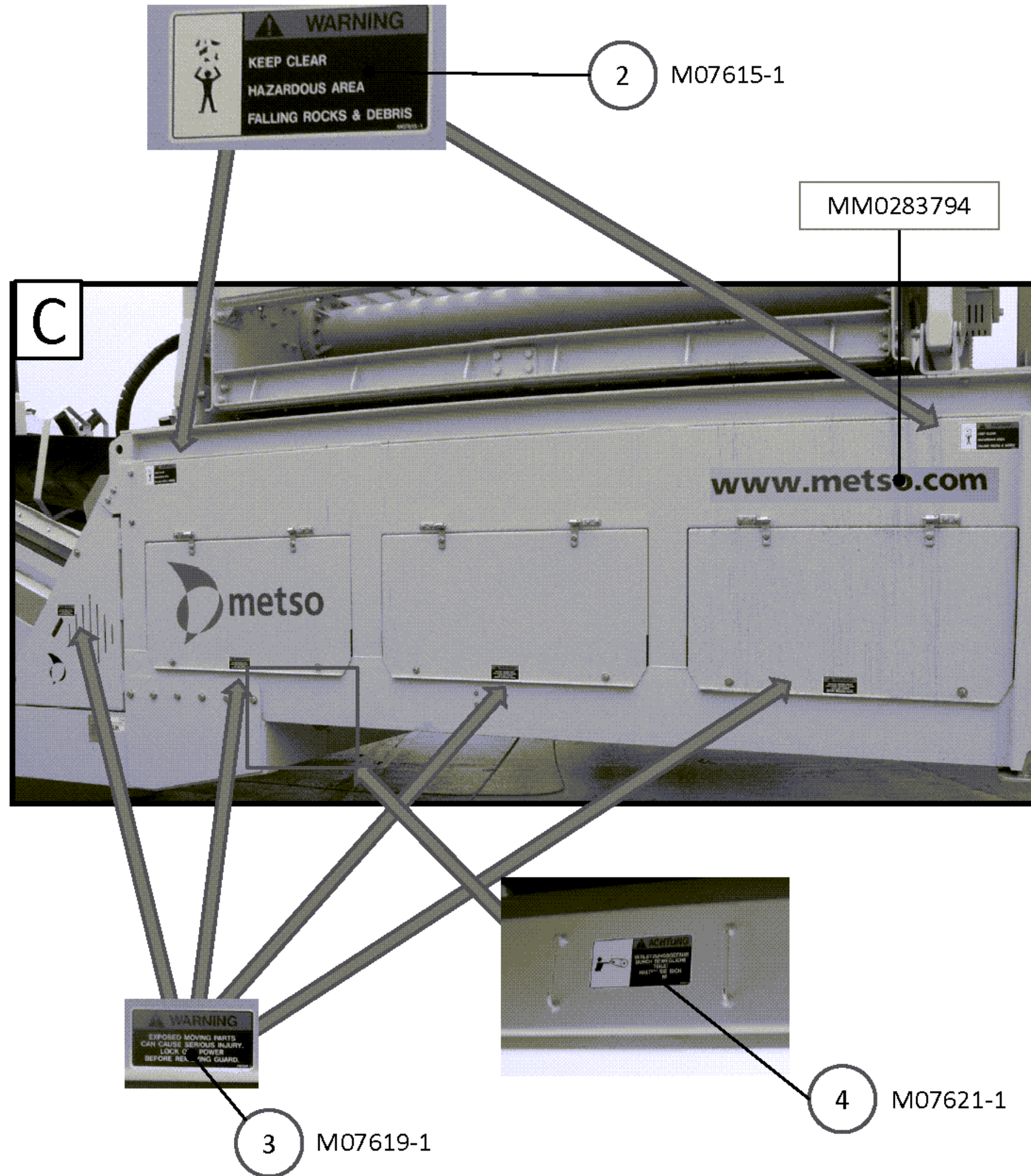
Pos.	Part No.	Description	Qty	Net Wght
1	M07613-1	STICKER	2	
2	M07615-1	STICKER	4	
3	M07619-1	STICKER	15	
4	M07621-1	STICKER	11	
5	M07622-1	STICKER	1	
6	M07623-1	STICKER	3	
7	M07625-1	STICKER	1	
8	M07630-1	STICKER	1	
9	M07649-1	STICKER	2	
10	M07663-1	STICKER	15	
13	M07674-1	STICKER	4	
14	M07675-1	STICKER	1	
15	M07677-1	STICKER	2	
16	M08156-1	STICKER	1	
17	M08838-1	STICKER	1	
18	M08839-1	STICKER	1	
19	M09474-1	STICKER	1	
20	MM0241605-1	STICKER	1	
21	M10057-1	STICKER	1	
22	MM0228865-1	STICKER	2	
23	M10891-1	STICKER	2	
25	M10946-1	STICKER	1	
26	M10733-1	STICKER	1	
27	M10729-1	STICKER	1	
28	M11027-1	STICKER	2	
29	MM0234930-1	STICKER	1	
30	MM0293282-1	STICKER	1	
31	N11904928	STICKER	4	0.001



Pos.	Part No.	Description	Qty	Net Wght
1	M07613-1	STICKER	2	
2	M07615-1	STICKER	4	
3	M07619-1	STICKER	15	
4	M07621-1	STICKER	11	
5	M07622-1	STICKER	1	
6	M07623-1	STICKER	3	
7	M07625-1	STICKER	1	
8	M07630-1	STICKER	1	
9	M07649-1	STICKER	2	
10	M07663-1	STICKER	15	
13	M07674-1	STICKER	4	
14	M07675-1	STICKER	1	
15	M07677-1	STICKER	2	
16	M08156-1	STICKER	1	
17	M08838-1	STICKER	1	
18	M08839-1	STICKER	1	
19	M09474-1	STICKER	1	
20	MM0241605-1	STICKER	1	
21	M10057-1	STICKER	1	
22	MM0228865-1	STICKER	2	
23	M10891-1	STICKER	2	
25	M10946-1	STICKER	1	
26	M10733-1	STICKER	1	
27	M10729-1	STICKER	1	
28	M11027-1	STICKER	2	
29	MM0234930-1	STICKER	1	
30	MM0293282-1	STICKER	1	
31	N11904928	STICKER	4	0.001



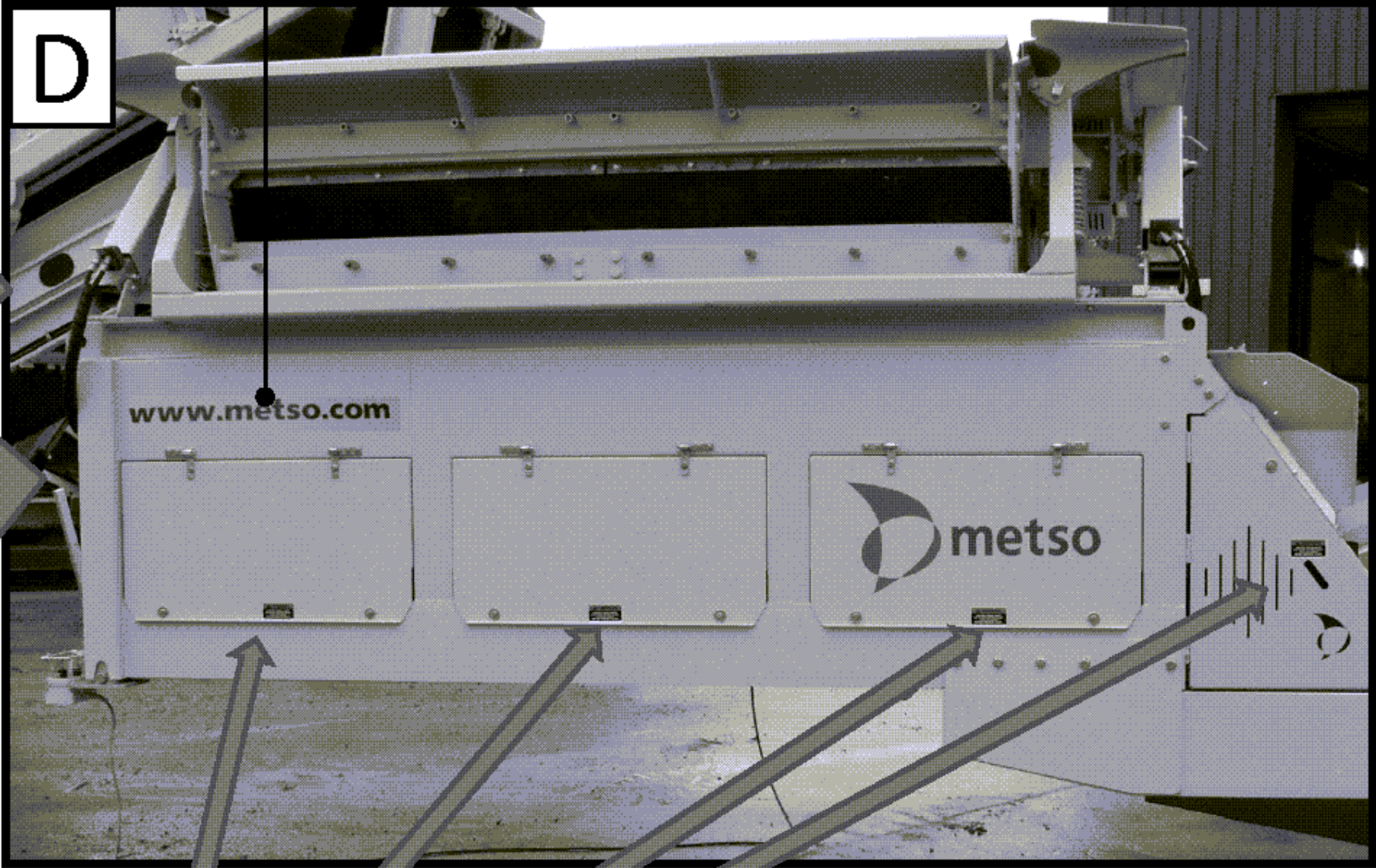
Pos.	Part No.	Description	Qty	Net Wght
1	M07613-1	STICKER	2	
2	M07615-1	STICKER	4	
3	M07619-1	STICKER	15	
4	M07621-1	STICKER	11	
5	M07622-1	STICKER	1	
6	M07623-1	STICKER	3	
7	M07625-1	STICKER	1	
8	M07630-1	STICKER	1	
9	M07649-1	STICKER	2	
10	M07663-1	STICKER	15	
13	M07674-1	STICKER	4	
14	M07675-1	STICKER	1	
15	M07677-1	STICKER	2	
16	M08156-1	STICKER	1	
17	M08838-1	STICKER	1	
18	M08839-1	STICKER	1	
19	M09474-1	STICKER	1	
20	MM0241605-1	STICKER	1	
21	M10057-1	STICKER	1	
22	MM0228865-1	STICKER	2	
23	M10891-1	STICKER	2	
25	M10946-1	STICKER	1	
26	M10733-1	STICKER	1	
27	M10729-1	STICKER	1	
28	M11027-1	STICKER	2	
29	MM0234930-1	STICKER	1	
30	MM0293282-1	STICKER	1	
31	N11904928	STICKER	4	0.001



Pos.	Part No.	Description	Qty	Net Wght
1	M07613-1	STICKER	2	
2	M07615-1	STICKER	4	
3	M07619-1	STICKER	15	
4	M07621-1	STICKER	11	
5	M07622-1	STICKER	1	
6	M07623-1	STICKER	3	
7	M07625-1	STICKER	1	
8	M07630-1	STICKER	1	
9	M07649-1	STICKER	2	
10	M07663-1	STICKER	15	
13	M07674-1	STICKER	4	
14	M07675-1	STICKER	1	
15	M07677-1	STICKER	2	
16	M08156-1	STICKER	1	
17	M08838-1	STICKER	1	
18	M08839-1	STICKER	1	
19	M09474-1	STICKER	1	
20	MM0241605-1	STICKER	1	
21	M10057-1	STICKER	1	
22	MM0228865-1	STICKER	2	
23	M10891-1	STICKER	2	
25	M10946-1	STICKER	1	
26	M10733-1	STICKER	1	
27	M10729-1	STICKER	1	
28	M11027-1	STICKER	2	
29	MM0234930-1	STICKER	1	
30	MM0293282-1	STICKER	1	
31	N11904928	STICKER	4	0.001

Lokotrack ST358

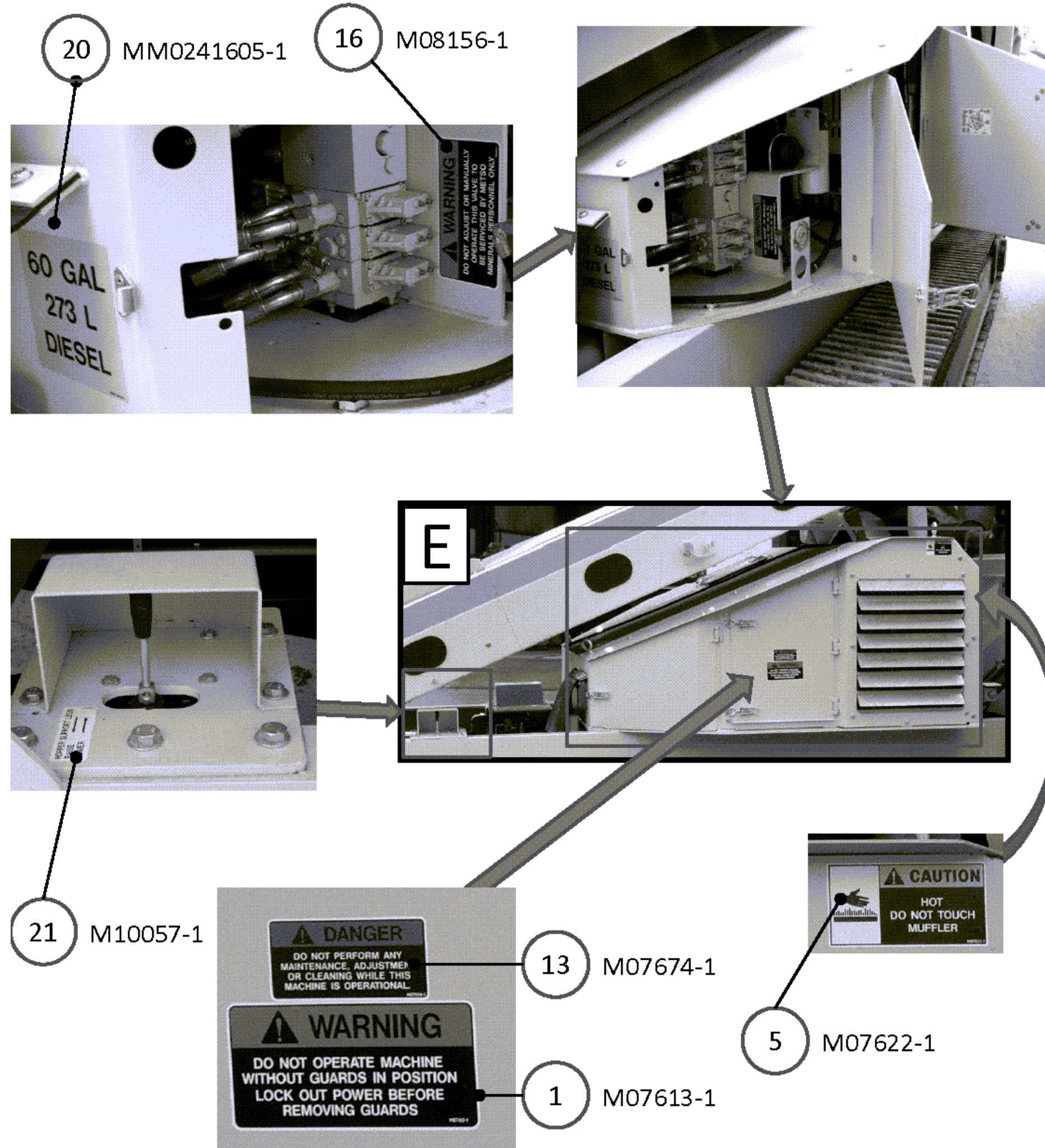
MM0283794



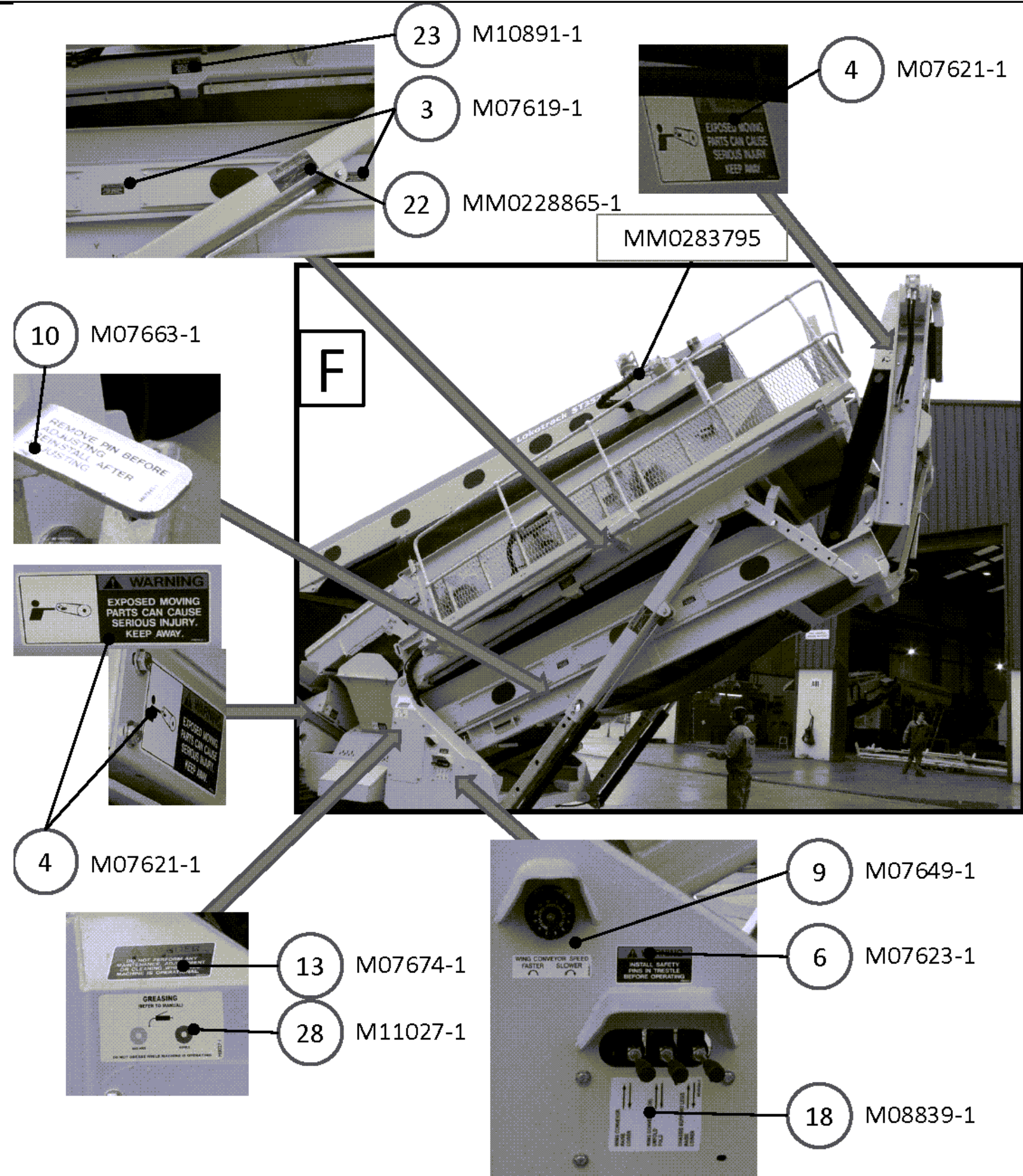
3

M07619-1

Pos.	Part No.	Description	Qty	Net Wght
1	M07613-1	STICKER	2	
2	M07615-1	STICKER	4	
3	M07619-1	STICKER	15	
4	M07621-1	STICKER	11	
5	M07622-1	STICKER	1	
6	M07623-1	STICKER	3	
7	M07625-1	STICKER	1	
8	M07630-1	STICKER	1	
9	M07649-1	STICKER	2	
10	M07663-1	STICKER	15	
13	M07674-1	STICKER	4	
14	M07675-1	STICKER	1	
15	M07677-1	STICKER	2	
16	M08156-1	STICKER	1	
17	M08838-1	STICKER	1	
18	M08839-1	STICKER	1	
19	M09474-1	STICKER	1	
20	MM0241605-1	STICKER	1	
21	M10057-1	STICKER	1	
22	MM0228865-1	STICKER	2	
23	M10891-1	STICKER	2	
25	M10946-1	STICKER	1	
26	M10733-1	STICKER	1	
27	M10729-1	STICKER	1	
28	M11027-1	STICKER	2	
29	MM0234930-1	STICKER	1	
30	MM0293282-1	STICKER	1	
31	N11904928	STICKER	4	0.001



Pos.	Part No.	Description	Qty	Net Wght
1	M07613-1	STICKER	2	
2	M07615-1	STICKER	4	
3	M07619-1	STICKER	15	
4	M07621-1	STICKER	11	
5	M07622-1	STICKER	1	
6	M07623-1	STICKER	3	
7	M07625-1	STICKER	1	
8	M07630-1	STICKER	1	
9	M07649-1	STICKER	2	
10	M07663-1	STICKER	15	
13	M07674-1	STICKER	4	
14	M07675-1	STICKER	1	
15	M07677-1	STICKER	2	
16	M08156-1	STICKER	1	
17	M08838-1	STICKER	1	
18	M08839-1	STICKER	1	
19	M09474-1	STICKER	1	
20	MM0241605-1	STICKER	1	
21	M10057-1	STICKER	1	
22	MM0228865-1	STICKER	2	
23	M10891-1	STICKER	2	
25	M10946-1	STICKER	1	
26	M10733-1	STICKER	1	
27	M10729-1	STICKER	1	
28	M11027-1	STICKER	2	
29	MM0234930-1	STICKER	1	
30	MM0293282-1	STICKER	1	
31	N11904928	STICKER	4	0.001



Pos.	Part No.	Description	Qty	Net Wght
1	M07613-1	STICKER	2	
2	M07615-1	STICKER	4	
3	M07619-1	STICKER	15	
4	M07621-1	STICKER	11	
5	M07622-1	STICKER	1	
6	M07623-1	STICKER	3	
7	M07625-1	STICKER	1	
8	M07630-1	STICKER	1	
9	M07649-1	STICKER	2	
10	M07663-1	STICKER	15	
13	M07674-1	STICKER	4	
14	M07675-1	STICKER	1	
15	M07677-1	STICKER	2	
16	M08156-1	STICKER	1	
17	M08838-1	STICKER	1	
18	M08839-1	STICKER	1	
19	M09474-1	STICKER	1	
20	MM0241605-1	STICKER	1	
21	M10057-1	STICKER	1	
22	MM0228865-1	STICKER	2	
23	M10891-1	STICKER	2	
25	M10946-1	STICKER	1	
26	M10733-1	STICKER	1	
27	M10729-1	STICKER	1	
28	M11027-1	STICKER	2	
29	MM0234930-1	STICKER	1	
30	MM0293282-1	STICKER	1	
31	N11904928	STICKER	4	0.001

M07621-1 (4)



(2) M07615-1



(4) M07621-1

Pos.	Part No.	Description	Qty	Net Wght
1	M07613-1	STICKER	2	
2	M07615-1	STICKER	4	
3	M07619-1	STICKER	15	
4	M07621-1	STICKER	11	
5	M07622-1	STICKER	1	
6	M07623-1	STICKER	3	
7	M07625-1	STICKER	1	
8	M07630-1	STICKER	1	
9	M07649-1	STICKER	2	
10	M07663-1	STICKER	15	
13	M07674-1	STICKER	4	
14	M07675-1	STICKER	1	
15	M07677-1	STICKER	2	
16	M08156-1	STICKER	1	
17	M08838-1	STICKER	1	
18	M08839-1	STICKER	1	
19	M09474-1	STICKER	1	
20	MM0241605-1	STICKER	1	
21	M10057-1	STICKER	1	
22	MM0228865-1	STICKER	2	
23	M10891-1	STICKER	2	
25	M10946-1	STICKER	1	
26	M10733-1	STICKER	1	
27	M10729-1	STICKER	1	
28	M11027-1	STICKER	2	
29	MM0234930-1	STICKER	1	
30	MM0293282-1	STICKER	1	
31	N11904928	STICKER	4	0.001



4 M07621-1

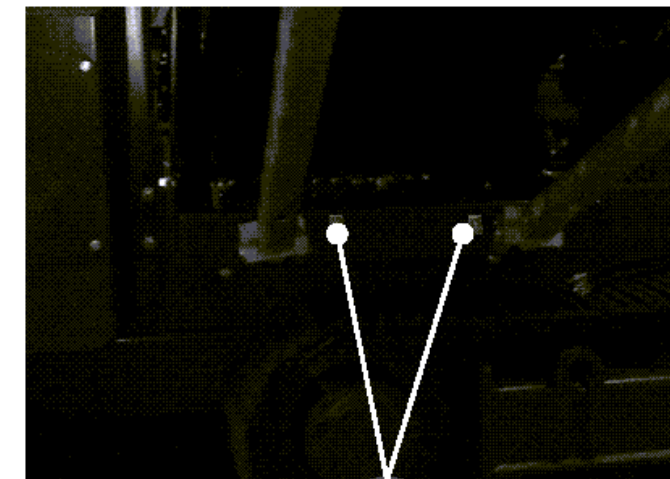
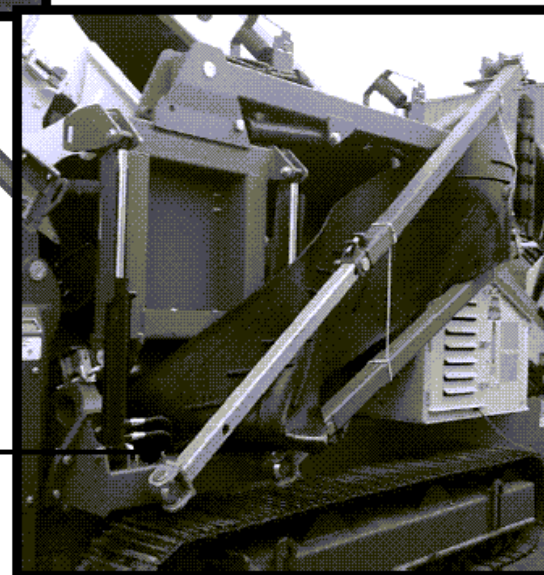
M07615-1 2

M07621-1 4



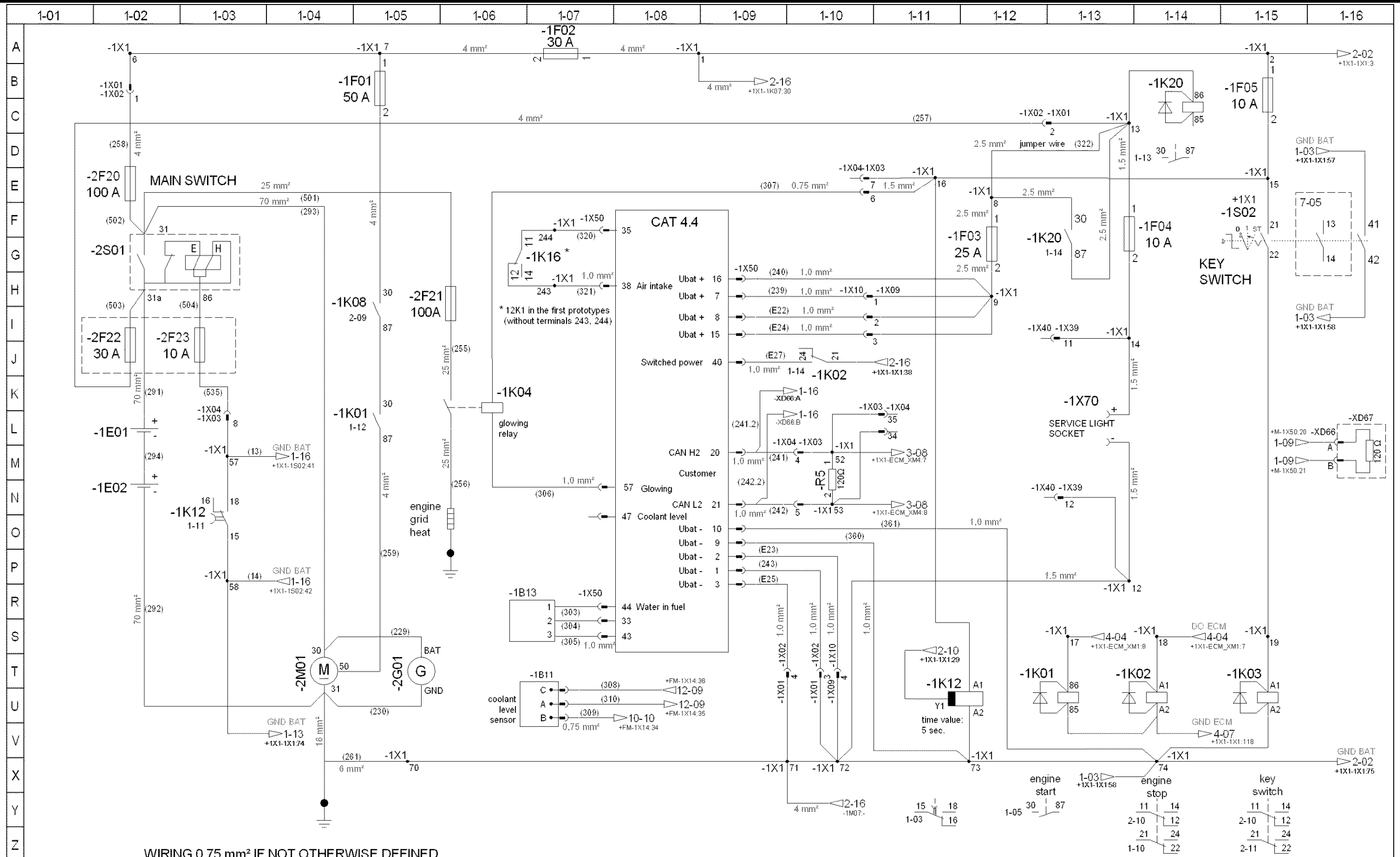
ON LONG WING
CONVEYORS ONLY

N11904928-1 31



31 N11904928-1

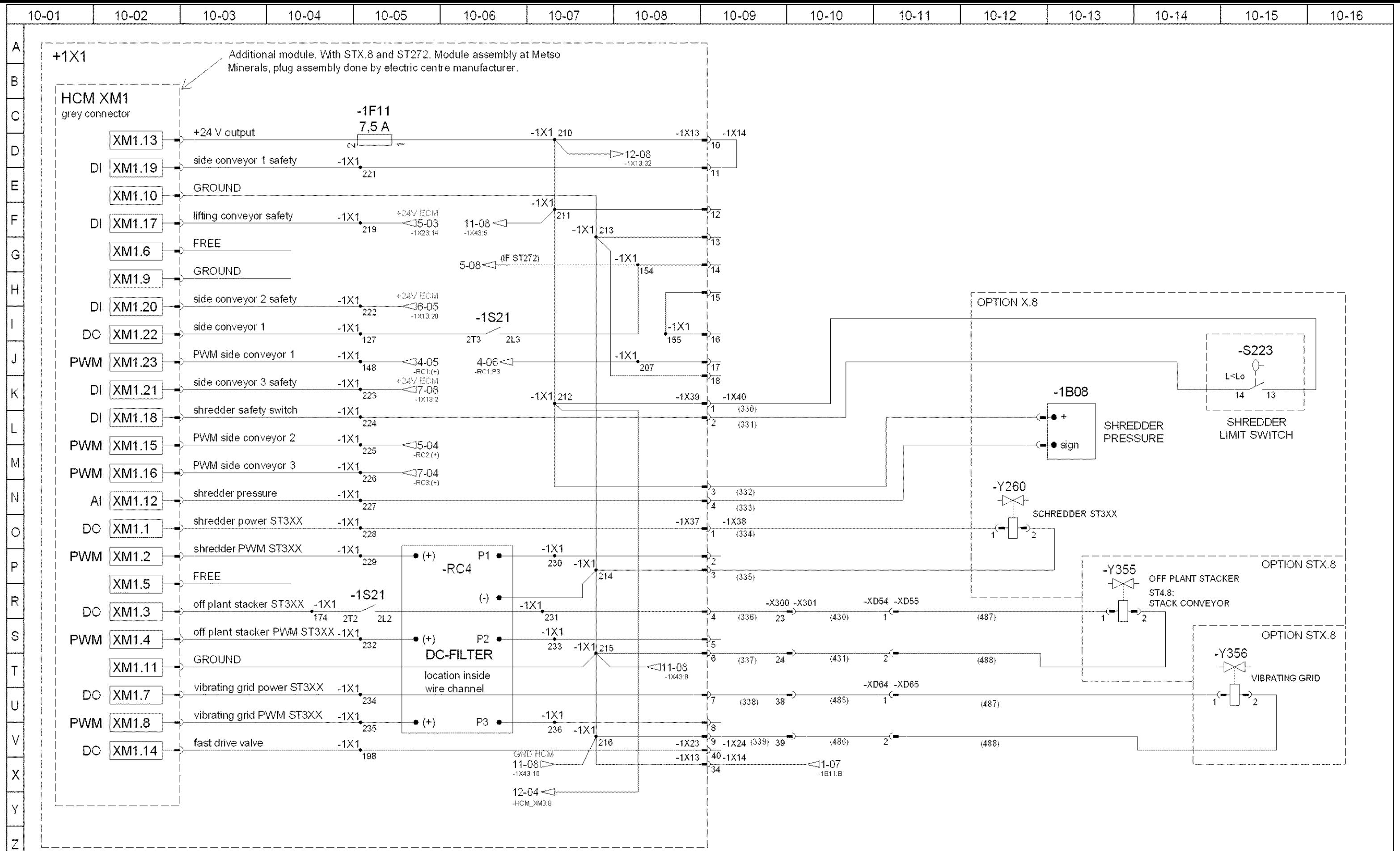
Pos.	Part No.	Description	Qty	Net Wght
1	M07613-1	STICKER	2	
2	M07615-1	STICKER	4	
3	M07619-1	STICKER	15	
4	M07621-1	STICKER	11	
5	M07622-1	STICKER	1	
6	M07623-1	STICKER	3	
7	M07625-1	STICKER	1	
8	M07630-1	STICKER	1	
9	M07649-1	STICKER	2	
10	M07663-1	STICKER	15	
13	M07674-1	STICKER	4	
14	M07675-1	STICKER	1	
15	M07677-1	STICKER	2	
16	M08156-1	STICKER	1	
17	M08838-1	STICKER	1	
18	M08839-1	STICKER	1	
19	M09474-1	STICKER	1	
20	MM0241605-1	STICKER	1	
21	M10057-1	STICKER	1	
22	MM0228865-1	STICKER	2	
23	M10891-1	STICKER	2	
25	M10946-1	STICKER	1	
26	M10733-1	STICKER	1	
27	M10729-1	STICKER	1	
28	M11027-1	STICKER	2	
29	MM0234930-1	STICKER	1	
30	MM0293282-1	STICKER	1	
31	N11904928	STICKER	4	0.001



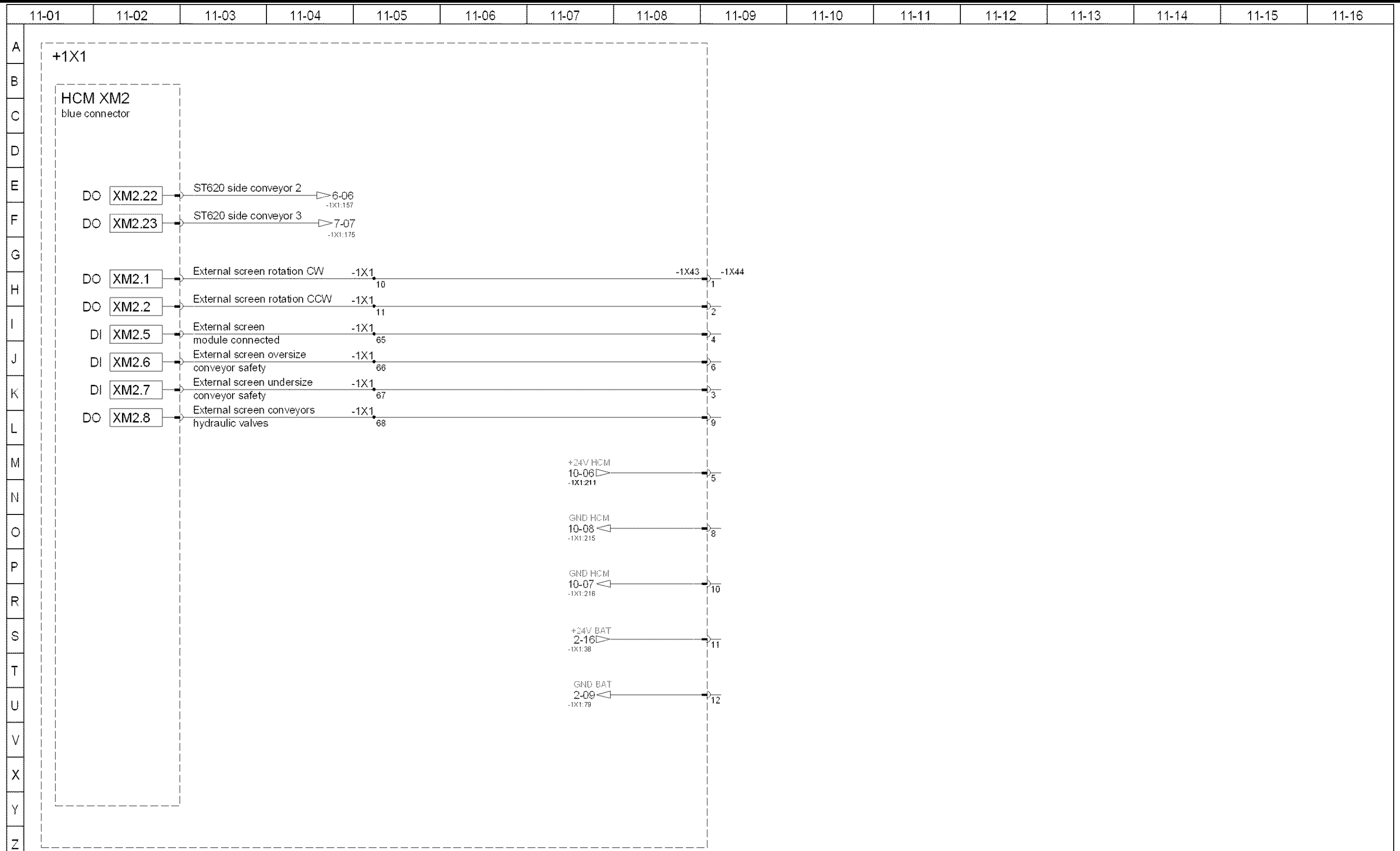
WIRING 0.75 mm² IF NOT OTHERWISE DEFINED

Spare terminal (unused)
-1X1 246

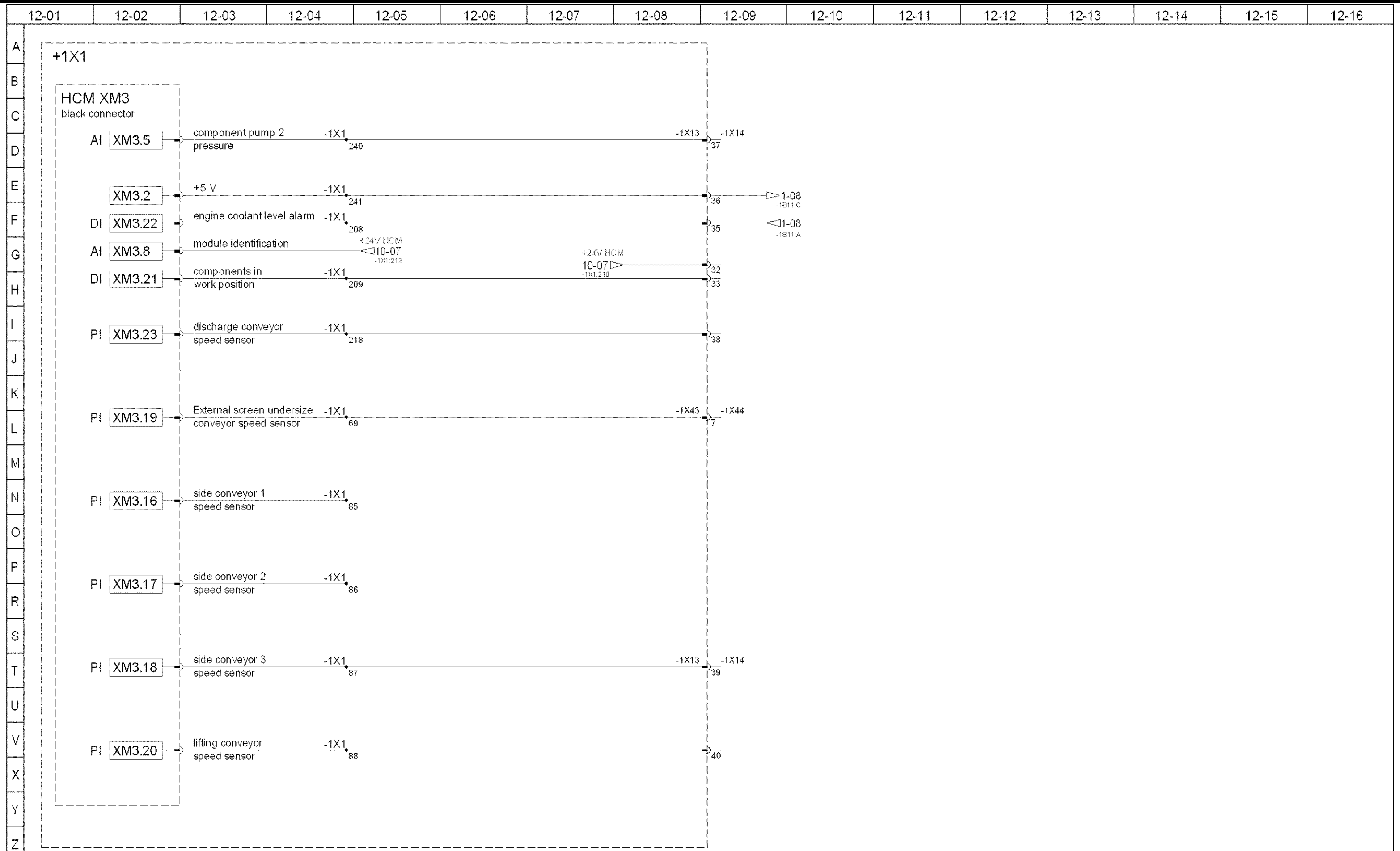
Rev.	No of	Date	Name	Description	New cable groups	Location
3						
Used on		ST272, STX.8		Work no		Project MM0276756_5
Module		Drawn	13/11/09	JKT	Approved for production	10.9.2010 JKT
Mass		Checked	10/09/10	JKT	for serial production	
Type		EH		Title		CIRCUIT DIAGRAM STX.8, ST272 CAT 4.4
Page		1/12		Drawing No		MM0276756
Page		1/12		Page		1/12



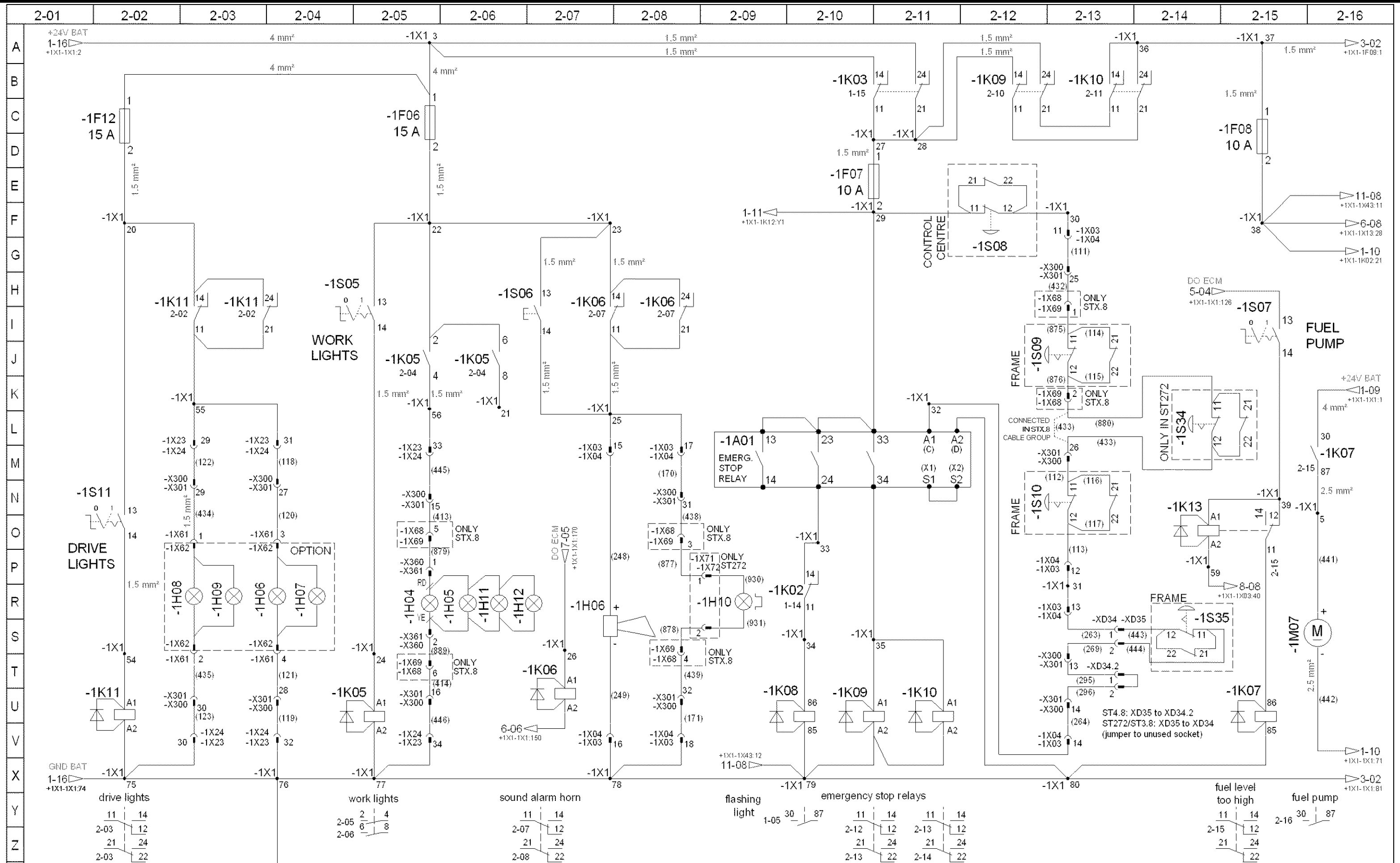
Rev.	No. of	Date	Name	Description	Location
3				New cable groups	
Used on		ST272, STX.8		Work no	
Module		Drawn	13/11/09 JKT	Approved for production	10.9.2010 JKT
Mass		Checked	10/09/10 JKT	for serial production	
Type		EH			for license production
Title				CIRCUIT DIAGRAM STX.8, ST272 CAT 4.4	
Project				MM0276755_5	
Drawing No				MM0276756	
Page/Of pages				10/12	



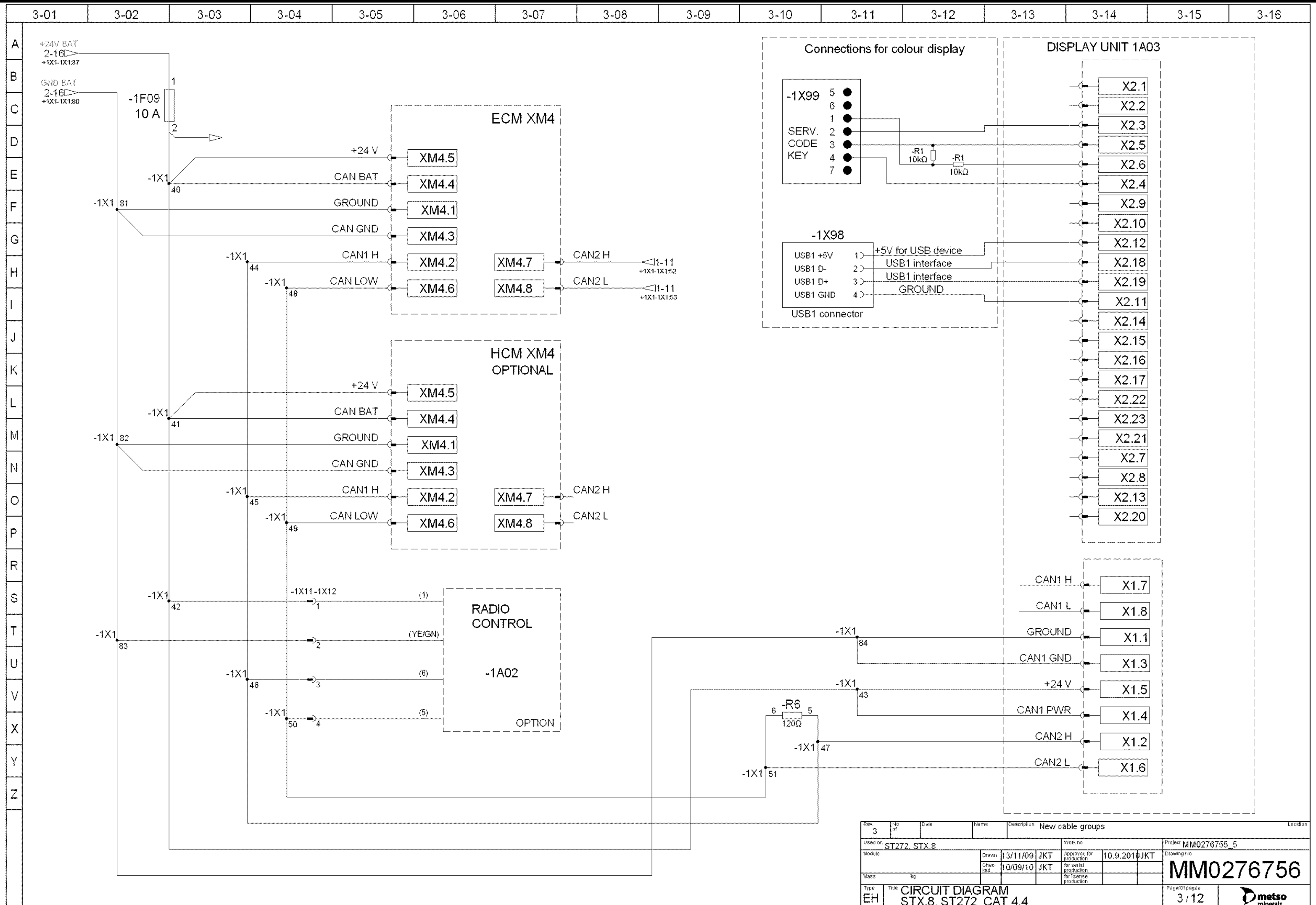
Rev. 3	No. of	Date	Name	Description	New cable groups	Location
Used on			ST272, STX.8		Work no	Project MM0276755_5
Module		Drawn	13/11/09	JKT	Approved for production	10.9.2010 JKT
Mass		Checked	10/09/10	JKT	for serial production	
Type		EH			for license production	
Title					CIRCUIT DIAGRAM STX.8, ST272 CAT 4.4	
Page					11/12	



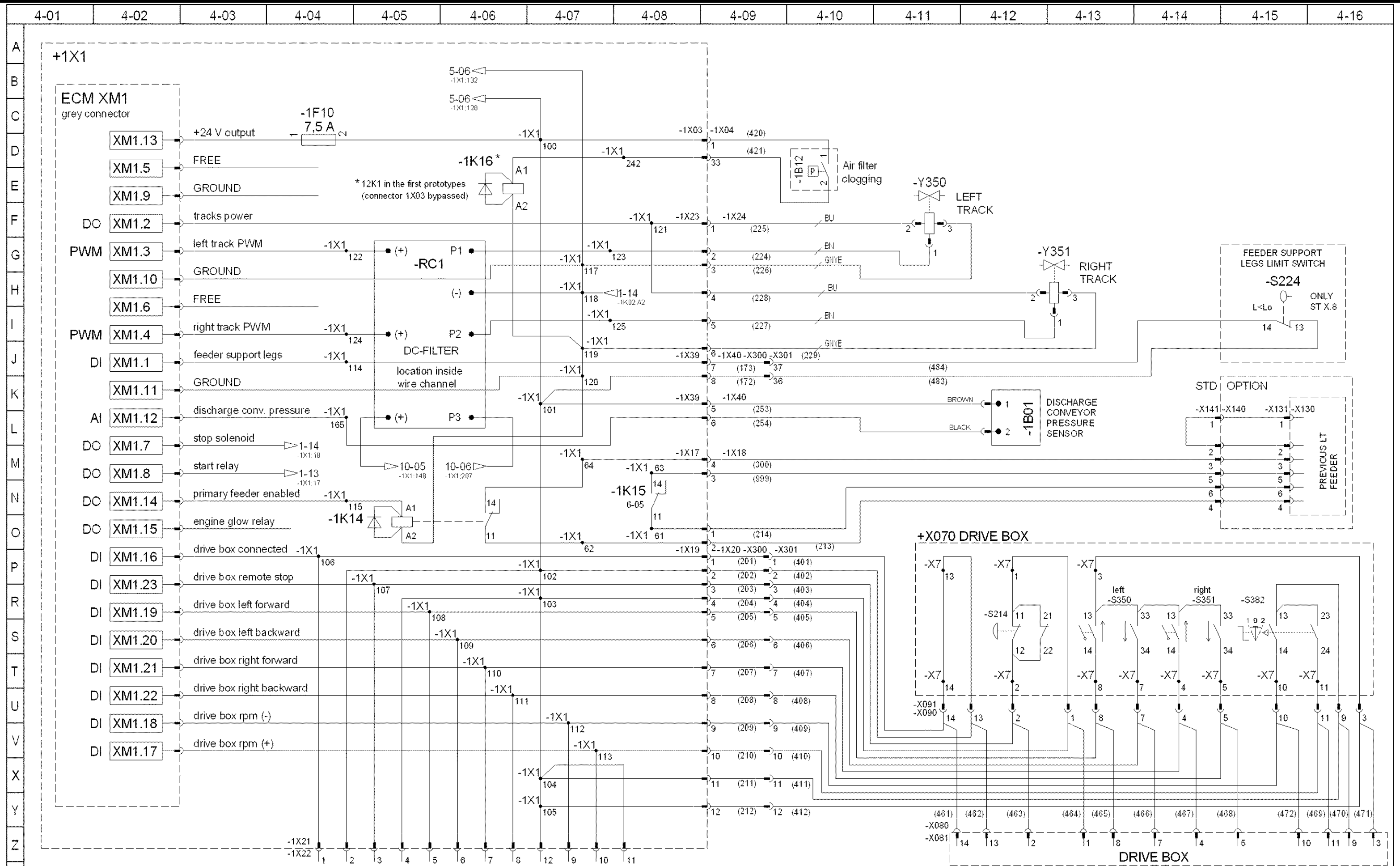
Rev. 3	No. of	Date	Name	Description	New cable groups		Location
Used on		ST272, STX.8		Work no		Project MM0276755_5	
Module	Drawn	13/11/09	JKT	Approved for production	10.9.2010	JKT	Drawing No
Mass	ig	Checked	10/09/10	JKT	for serial production		MM0276756
Type	EH	Title	CIRCUIT DIAGRAM STX.8, ST272 CAT 4.4			Page/Of pages	12/12



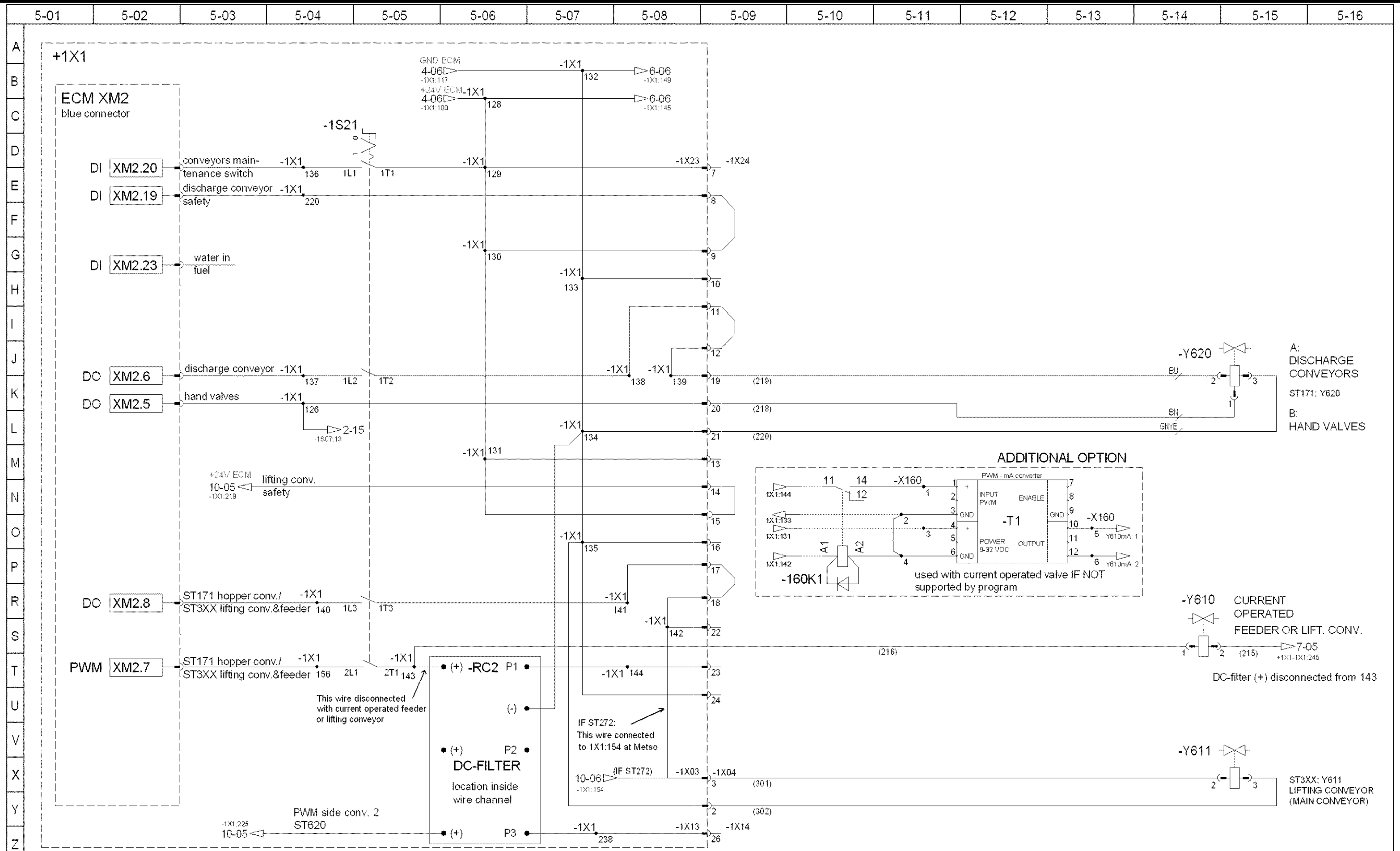
Rev.	No. of	Date	Name	Description	New cable groups	Location
3						
Used on		ST272, STX.8		Work no		Project
Module		13/11/09 JKT		10.9.2010 JKT		MM0276755_5
Drawn		10/09/10 JKT		Approved for production		Drawing No
Checked				for license production		MM0276756
Mass		ig				Page/Of pages
Type		EH		Title		2 / 12
		CIRCUIT DIAGRAM		STX.8, ST272 CAT 4.4		



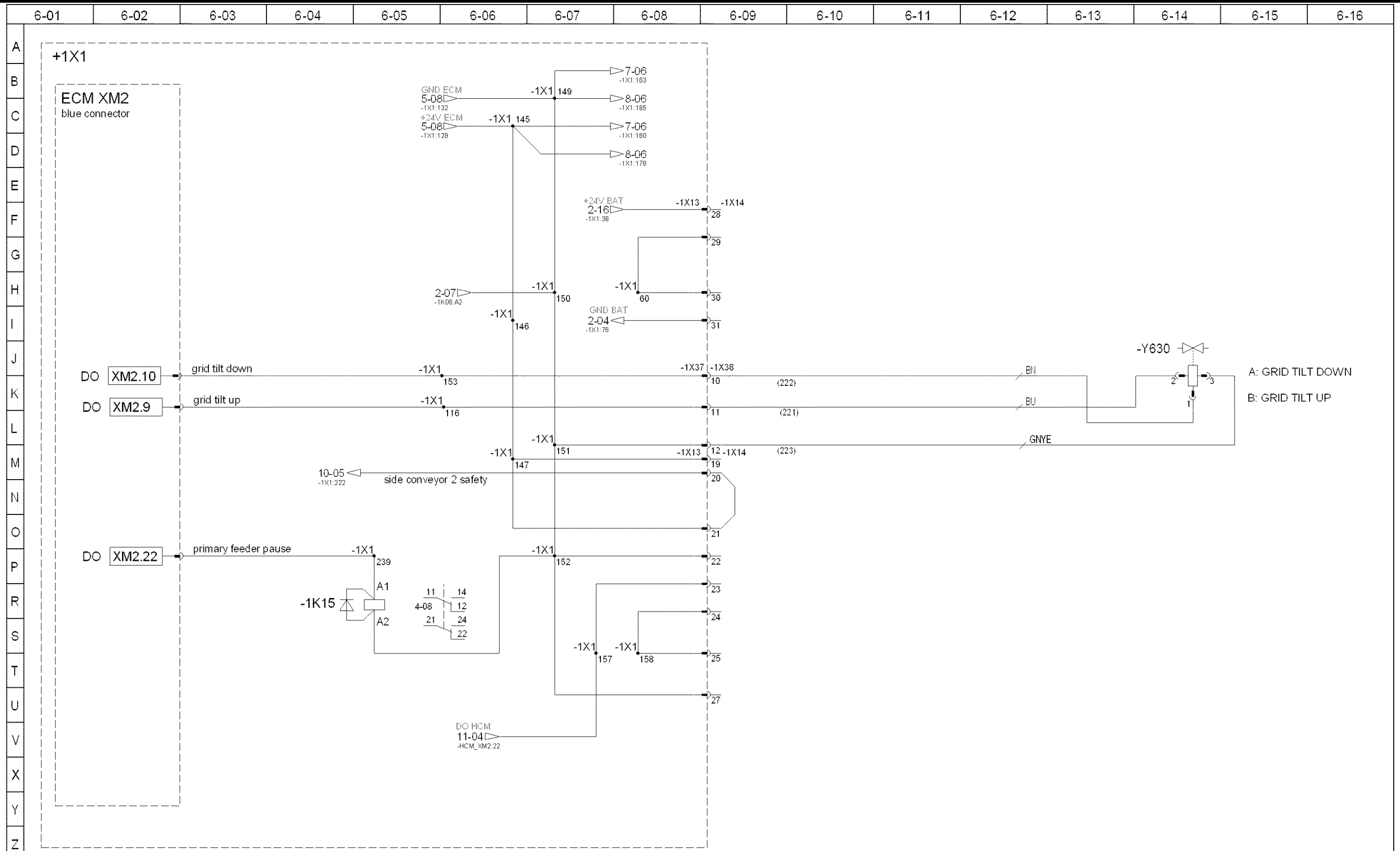
Rev.	No. of	Date	Name	Description	Location
3				New cable groups	
Used on		ST272, STX.8		Work no	
Module		Drawn	13/11/09	JKT	Approved for production
Mass		Checked	10/09/10	JKT	for serial production
Type		EH		for license production	
Title				CIRCUIT DIAGRAM	Project
				STX.8, ST272 CAT 4.4	MM0276755_5
					Drawing No
					MM0276756
					Page/Of pages
					3 / 12



Rev.	No. of	Date	Name	Description	Location
3				New cable groups	
Used on		ST272, STX.8		Work no	
Module		Drawn	13/11/09 JKT	Approved for production	10.9.2010 JKT
Mass		Checked	10/09/10 JKT	for serial production	
Type		EH			for license production
Title		CIRCUIT DIAGRAM STX.8, ST272 CAT 4.4			Page/Of pages
					4 / 12

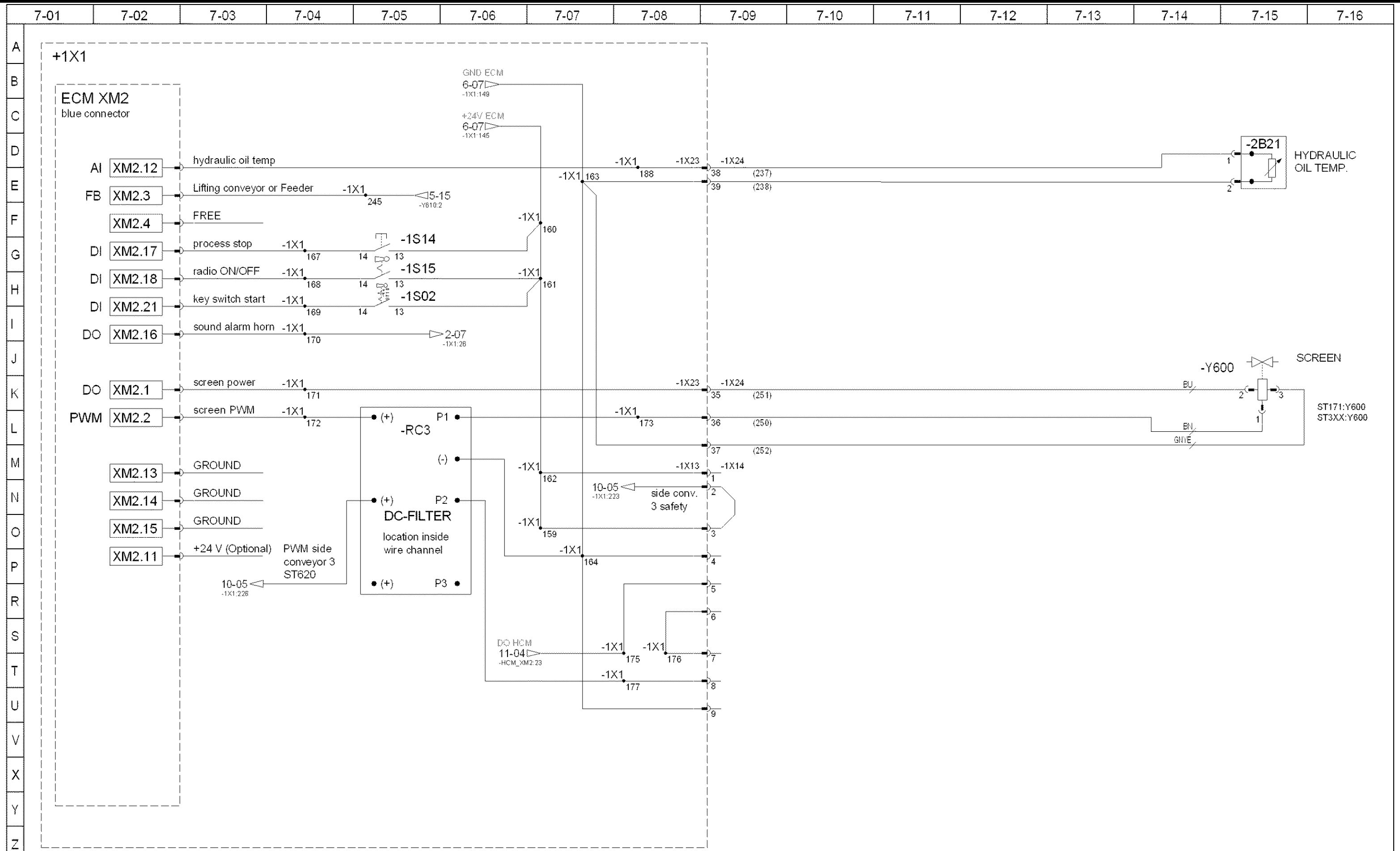


Rev. 3	No. of	Date	Name	Description	New cable groups	Location
Used on		ST272, STX.8		Work no	Project MM0276755_5	
Module		Drawn	13/11/09	JKT	Approved for production	10.9.2010 JKT
Mass		Checked	10/09/10	JKT	for serial production	
Type		EH			Drawing No	
Title		CIRCUIT DIAGRAM			Page 5 of 12	
		STX.8, ST272 CAT 4.4			metso minerals	

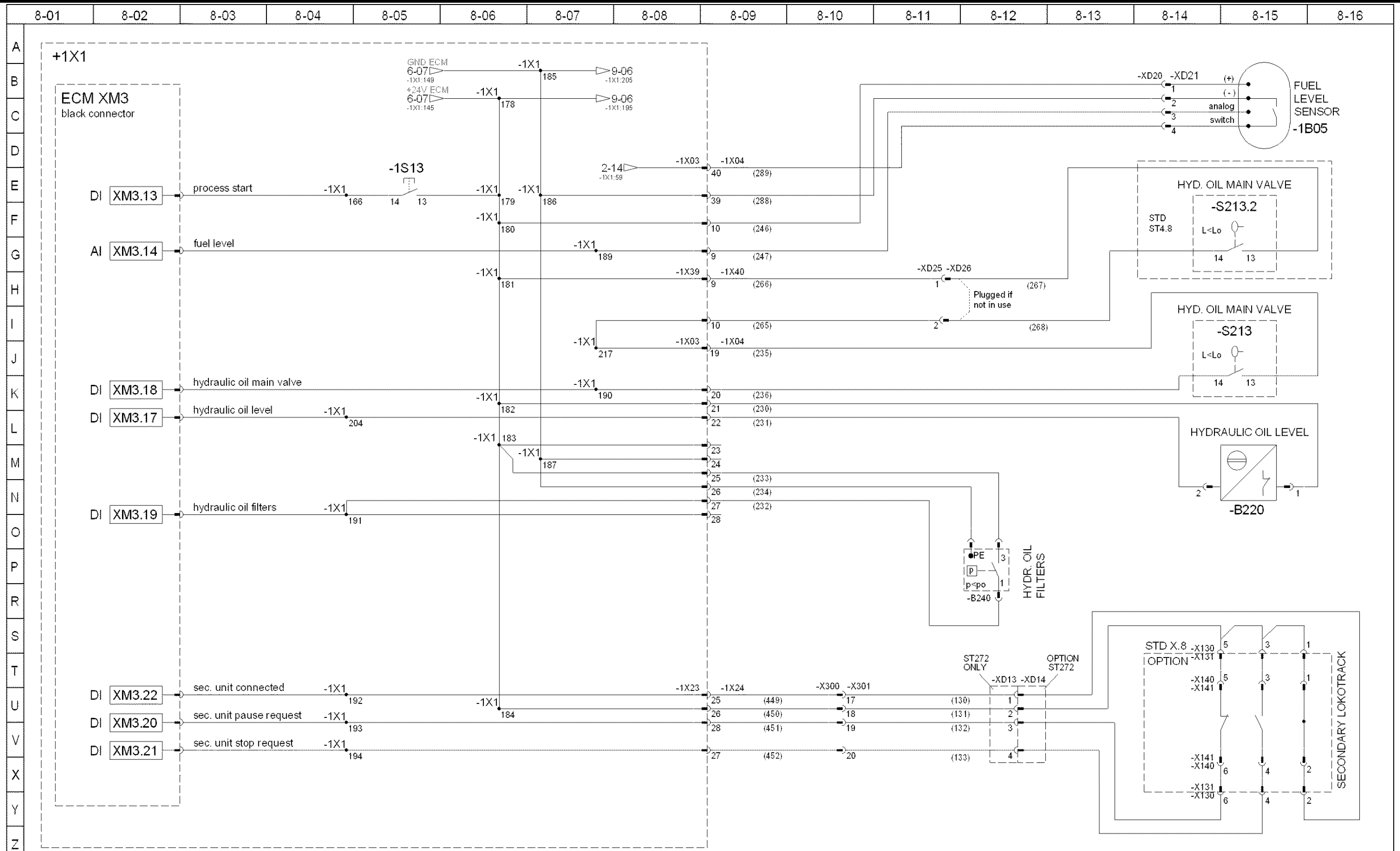


A: GRID TILT DOWN
B: GRID TILT UP

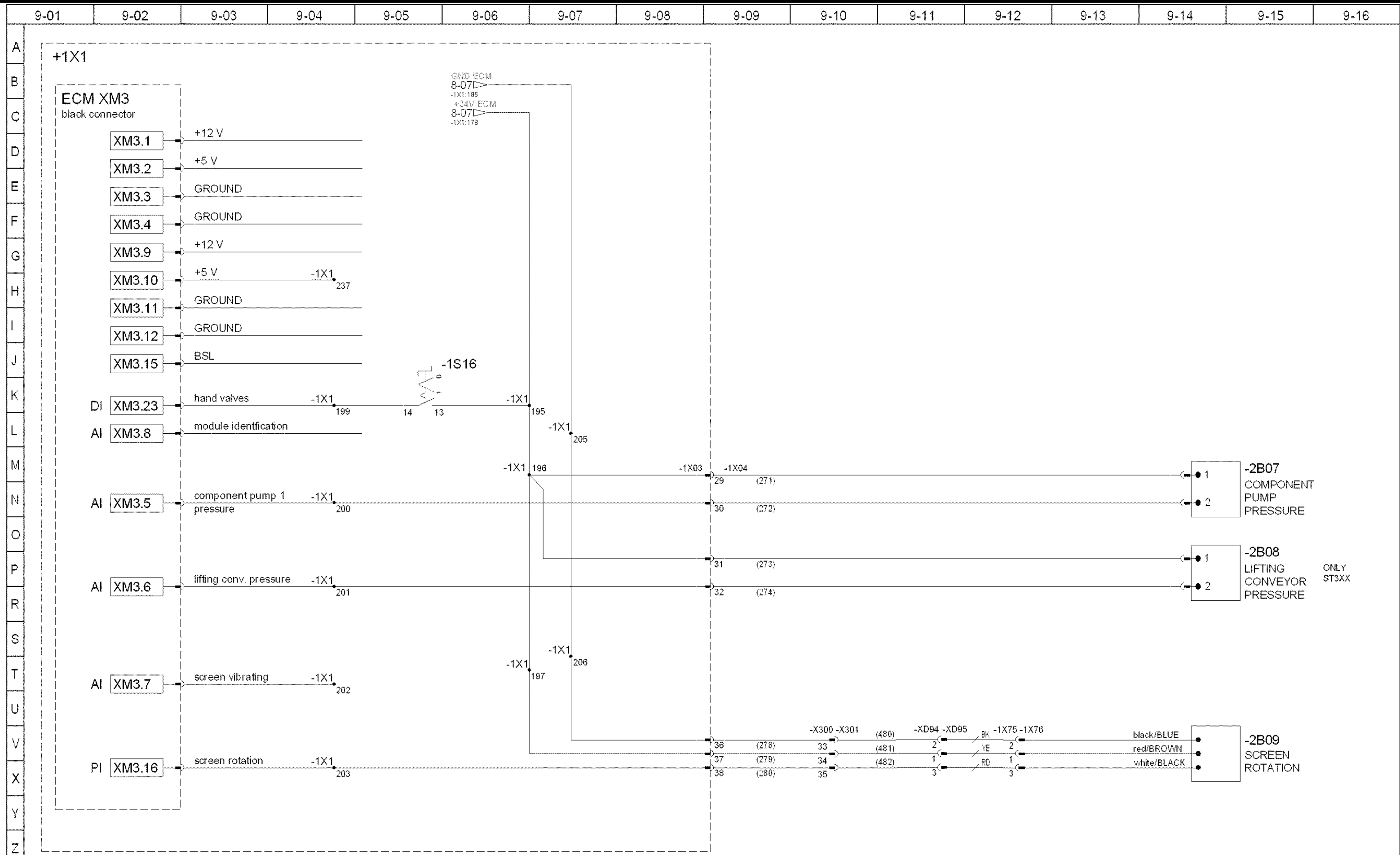
Rev. 3	No. of	Date	Name	Description	New cable groups	Location
Used on		ST272, STX.8		Work no		Project MM0276755_5
Module		Drawn	13/11/09	JKT	Approved for production	10.9.2010 JKT
Mass		Checked	10/09/10	JKT	for serial production	
Type		EH			for license production	
Title		CIRCUIT DIAGRAM			Page 6 of 12	
		STX.8, ST272 CAT 4.4			metso minerals	



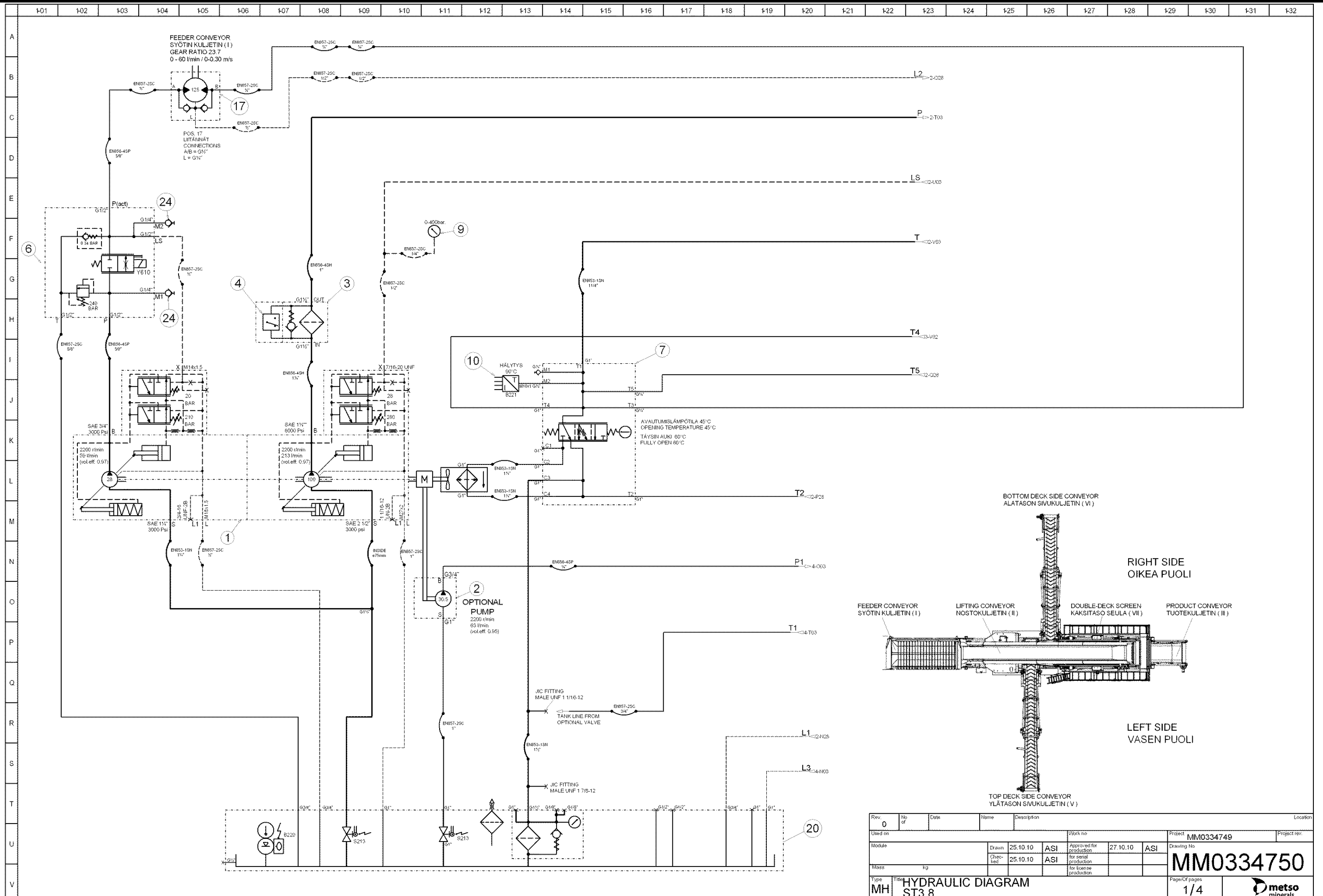
Rev. 3	No. of	Date	Name	Description	New cable groups	Location
Used on		ST272, STX.8		Work no	Project MM0276756_5	
Module		Drawn	13/11/09	JKT	Approved for production	10.9.2010 JKT
Mass		Checked	10/09/10	JKT	for serial production	
Type		EH			Drawing No. MM0276756	
Title		CIRCUIT DIAGRAM STX.8, ST272 CAT 4.4			Page/Of pages	7/12
					metso minerals	



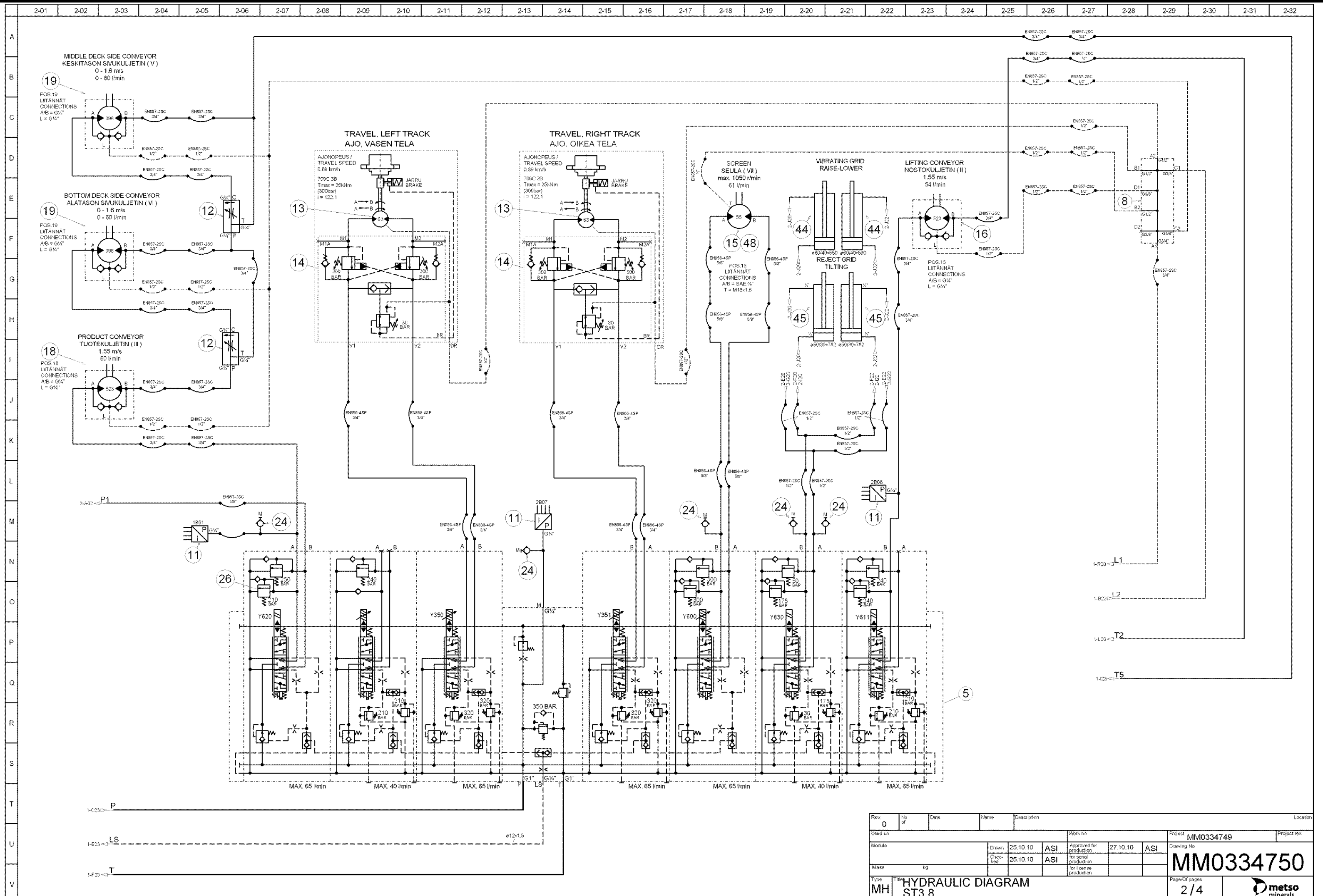
Rev.	No. of	Date	Name	Description	Location
3				New cable groups	
Used on		Module		Work no	Project
ST272, STX.8		ST272, STX.8		10.9.2010 JKT	MM0276756_5
Drawn		Checked		Approved for production	Drawing No
13/11/09 JKT		10/09/10 JKT		10.9.2010 JKT	MM0276756
Mass		sig		Approved for license production	Page/Of pages
					8 / 12
Type	Title				
EH	CIRCUIT DIAGRAM STX.8, ST272 CAT 4.4				



Rev.	No. of	Date	Name	Description	Location
3				New cable groups	
Used on		ST272, STX.8		Work no	
Module		Drawn	13/11/09 JKT	Approved for production	10.9.2010 JKT
Mass		Checked	10/09/10 JKT	for serial production	
Type		EH		for license production	
Title				CIRCUIT DIAGRAM STX.8, ST272 CAT 4.4	
Page				9 / 12	
Project				MM0276755_5	
Drawing No				MM0276756	
Page				9 / 12	
metso				minerals	

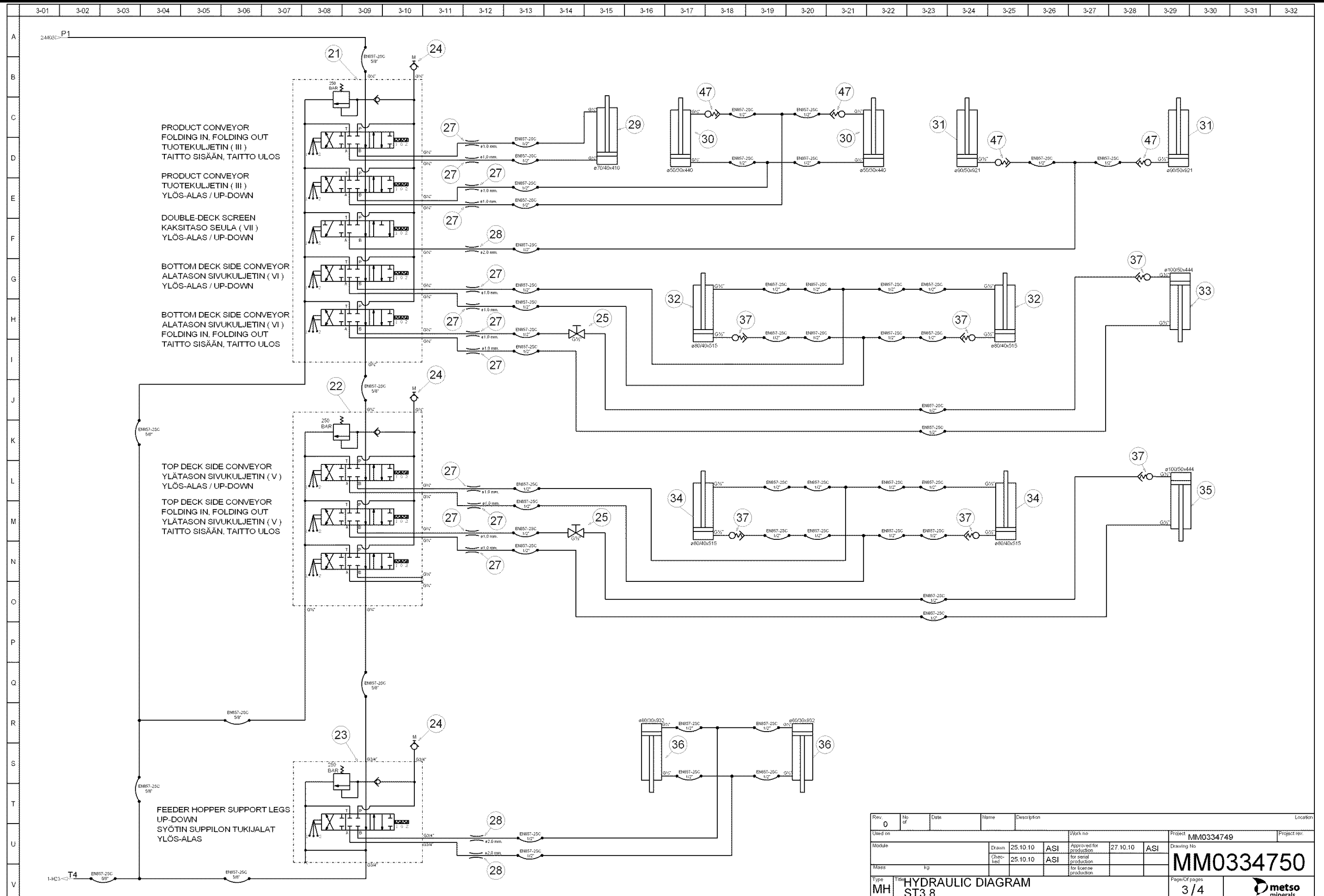


Rev	No of	Date	Name	Description	Location
0					
Used on		Work no		Project	
Module		Drawn 25.10.10	Checked 25.10.10	Approved for production 27.10.10	Project rev.
Mass kg		Drawing No		MM0334750	
Type MH		Title HYDRAULIC DIAGRAM		Page/Of pages 1/4	
		ST3.8			

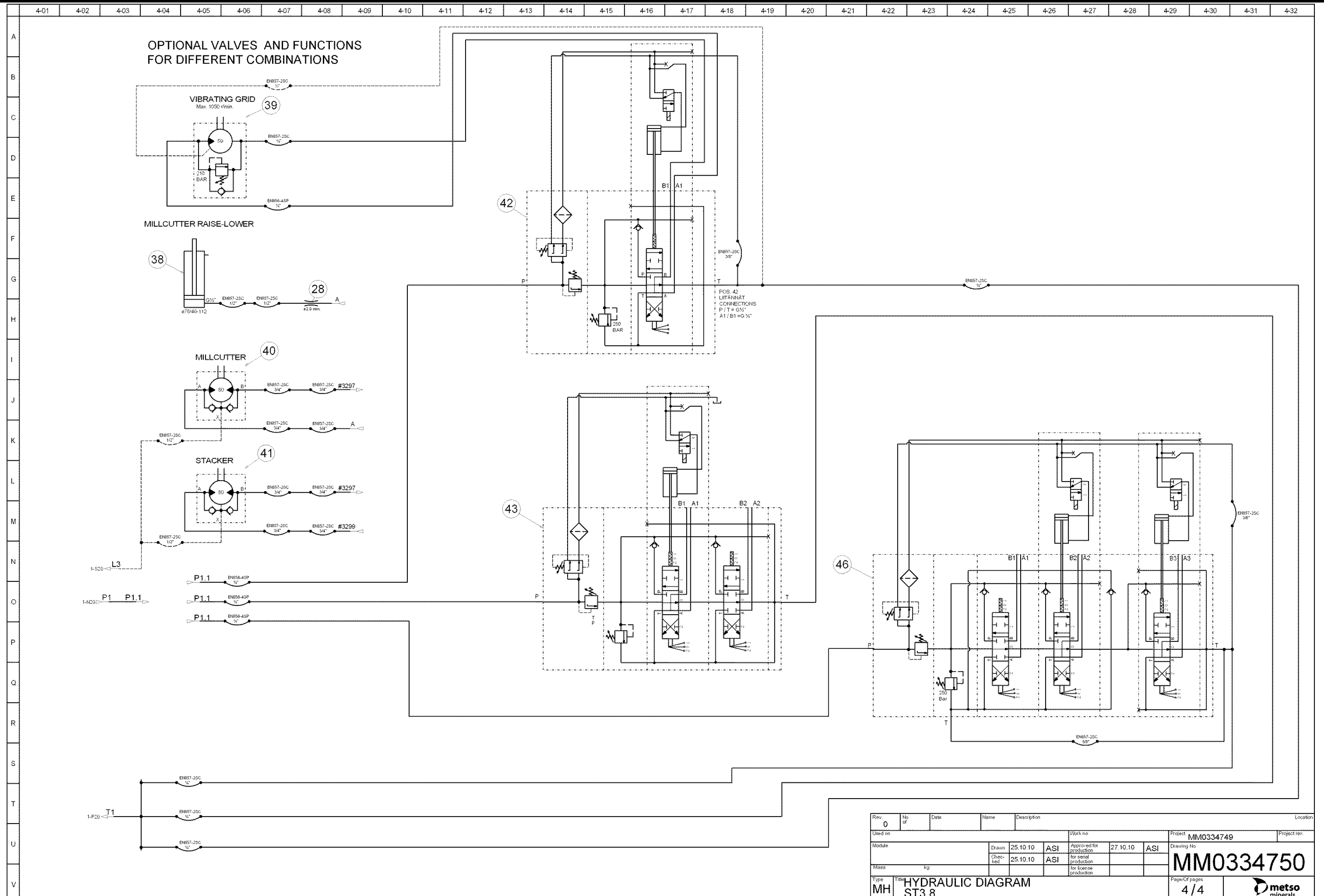


Rev	No	Date	Name	Description	Location
0					

Used on	Work no	Project	Project rev.
Module	25.10.10	MM0334749	
Drawn	25.10.10	ASI	
Checked	25.10.10	ASI	
Approved for production	27.10.10	ASI	
Approved for serial production			
Approved for license production			
Mass	kg	MM0334750	
Type	MH		Page of pages
Title	HYDRAULIC DIAGRAM ST3.8		2/4



Rev	No of	Date	Name	Description	Location
0					
Used on		Work no		Project	
Module		Drawn 25.10.10	Checked 25.10.10	Approved for production 27.10.10	Project rev.
Mass kg		for serial production		MM0334749	
Type MH		for license production		Drawing No	
Title HYDRAULIC DIAGRAM		ST3.8		MM0334750	
Page/Cof pages		3/4		metso minerals	



Pos.	Part No.	Description	Qty	Net Wght	Page
1	MM0280286	HYDRAULIC PUMP	1	65	
2	MM0301642	HYDRAULIC PUMP	1	12.5	
3	804511	FILTER	1	18.5	86
4	804512	INDICATOR	1	0.2	
5	MM0296296	VALVE GROUP	1		87
6	MM0299215	VALVE BLOCK	1	4	
7	914514	HYDRAULIC BLOCK	1	19	85
8	909942	HYDRAULIC BLOCK	1	2	
9	706306138070	PRESSURE GAUGE	1	0.25	
10	N02495337	TEMPERATURE SENSOR	1	0.04	
11	N02495321	PRESSURE SENSOR	3	0.2	
12	MM0317231	FLOW CONTROL VALVE	2	4.5	
13	MM0278886	HYDRAULIC MOTOR	2	19	
14	MM0273750	MANIFOLD	2	12	
15	N05530057	HYDRAULIC MOTOR	1	18	
*	801015	SEAL KIT	1	0.7	
16	706201695960	HYDRAULIC MOTOR	1	24	
17	N05530646	HYDRAULIC MOTOR	1	10.5	
*	N05530742	SEAL KIT	1		
18	706201695960	HYDRAULIC MOTOR	1	24	
19	N05530635	HYDRAULIC MOTOR	2	12.3	
*	N05530744	SEAL KIT	1	0.05	
20	M08937	HYDRAULIC OIL TANK	1	161.77	82
21	MM0279048	DIRECTIONAL VALVE	1	19.5	
22	MM0283416	DIRECTIONAL VALVE	1	19.5	
23	MM0279043	DIRECTIONAL VALVE	1	7.5	
24	706203392200	MEASURE ADAPTER	10	0.1	
25	706203312900	BALL VALVE	2	0.67	
26	N02480883	PRESSURE RELIEF VALVE	1	0.05	
27	MM0317241	HYDRAULIC FITTING	12	0.160	
28	MM0317245	HYDRAULIC FITTING	3	0.160	
29	MM0237484	HYDRAULIC CYLINDER	1	14	25
30	MM0237489	HYDRAULIC CYLINDER	2	14	18
31	MM0237488	HYDRAULIC CYLINDER	2	45.4	33
32	MM0237388	HYDRAULIC CYLINDER	2	16	52
33	MM0237496	HYDRAULIC CYLINDER	1	29.8	51
34	MM0237388	HYDRAULIC CYLINDER	2	16	52
35	MM0237496	HYDRAULIC CYLINDER	1	29.8	51
36	MM0237494	HYDRAULIC CYLINDER	2	20	107
37	N02456150	HOSE BURST VALVE	10	0.02	
38	M08723	HYDRAULIC CYLINDER	1	6.78025	
*	N02471021	SEAL KIT	1	0.08	
39	MM0274647	HYDRAULIC MOTOR	1	28.13	
40	N05530621	HYDRAULIC MOTOR	1	9.8	
*	N05530745	SEAL KIT	1	0.029	
41	N05530621	HYDRAULIC MOTOR	1	9.8	
*	N05530745	SEAL KIT	1	0.029	
42	N02444006	DIRECTIONAL VALVE	1	7.5	
43	N02444007	DIRECTIONAL VALVE	1	10.5	
44	MM0303433	HYDRAULIC CYLINDER	2		
45	MM0237493	HYDRAULIC CYLINDER	2	8	95
46	N02444008	DIRECTIONAL VALVE	1	13.5	
47	N02456150	HOSE BURST VALVE	4	0.02	
48	MM0322834	SENSOR	1	.2	