

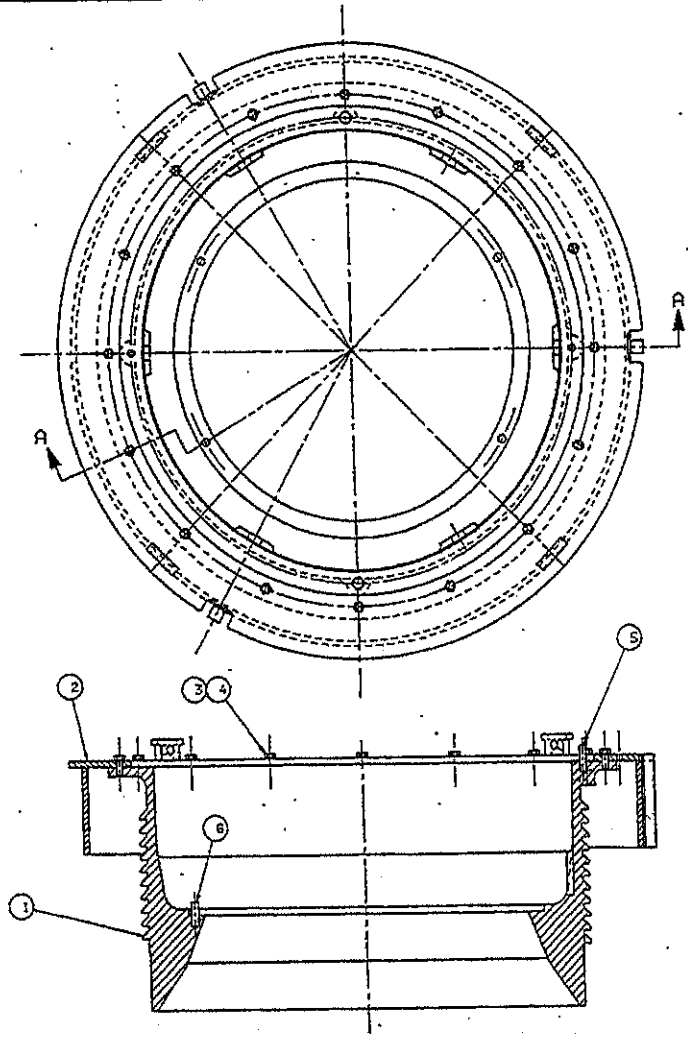
NO. 110-93050130

ALL INFORMATION CONTAINED ON THIS DRAWING IS CONFIDENTIAL TO BE BOTH COMPANY AND PROPERTY OF NORDBERG INC. NO USE OR REPRODUCTION THEREOF MAY BE MADE WITHOUT THE EXPRESS WRITTEN CONSENT OF NORDBERG INC.

ITEM NO.	PART NUMBER	QTY.	PART NAME	UNIT PRICE	TOTAL AMOUNT
	1093050130	1	BOWL ASSEMBLY	4297	
①	1020055255	1	BOWL	803600	
②	1022815052	1	ADJUSTMENT CAP	A1 897	
③	1003725092	16	NHCS M24X60		
④	1003069071	16	LOCK WASHER M24		
⑤	1003344519	2	PIN Ø 25 X 100		
⑥	1003344787	4	PIN Ø 30 X 90		

NOTE:

1. RUB DOWN OR SPRAY THREADS OF BOWL AND ADJUSTMENT RIMS WITH MOLYBDENUM DISULFIDE BEFORE INSTALLATION.



SECTION "A-A"

SURFACE PREPARATION, CLEANING AND PAINTING SYMBOLS ACCORDING TO COMPANY STANDARD 03-01-01.

REF: 93050053

AND STORED. DO NOT CHANGE UNNATURALLY

DUR DIMEN		Inches		Nordberg Inc. P.O. Box 181 Milwaukee, WI 53201			
DESIGNED		11/10/77				ASSEMBLY	CR 14
CHECKED		11/10/77				APPROVED BY	CRUISER
MATERIALS		DATE 11/10/77		PRODUCT HP 500			
DRAWN		BY		DESCRIPTION			
SCALE		1:8		BOWL ASSEMBLY			
REV.		DESCRIPTION OF CHANGE		11093050130 (A)			

12 BESS