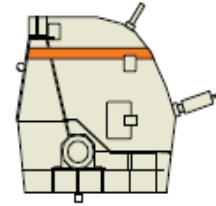
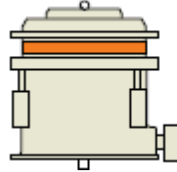
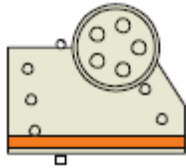


CRUSHERFAX
BY MELLOTT
COMPANY



Model: HP400	Serial No. 124352	Date: 7/15/2014
--------------	-------------------	-----------------

Machine History

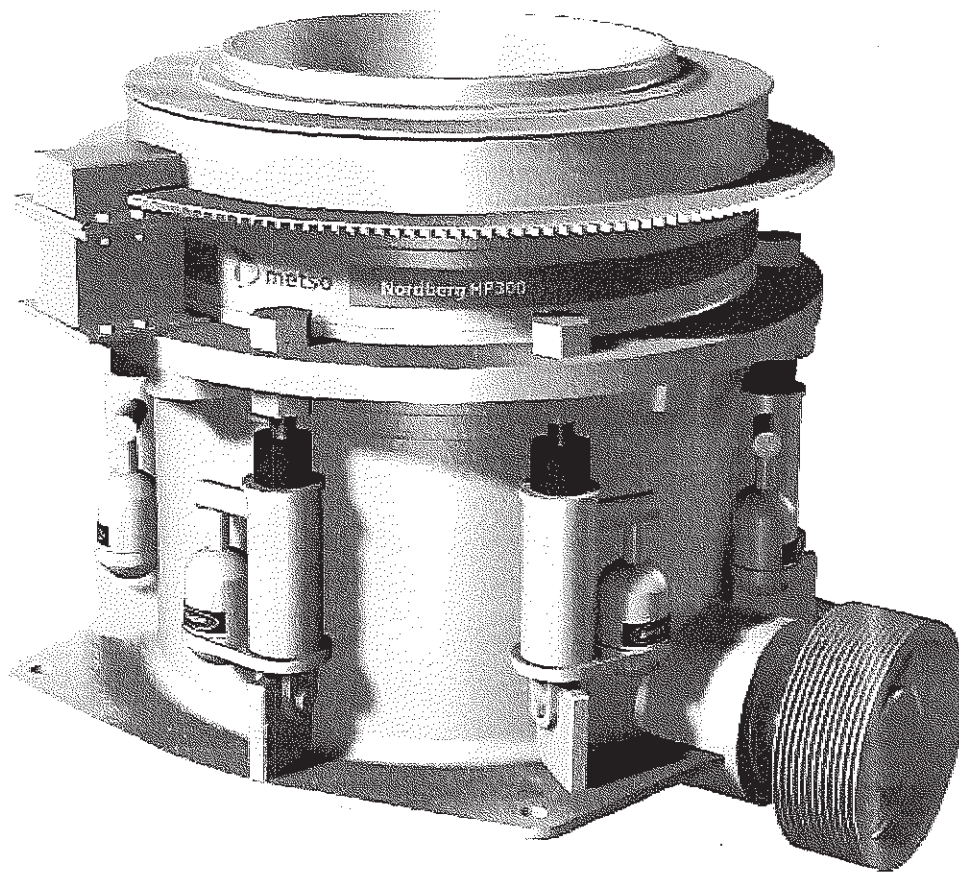
- Sold by Metso to Municipal Quarry (Nova Scotia, Canada) – 12/2011
- Purchased crusher from Metso (Investment Tax Credit, replaced every two years) – 7/2013
- Disassembled cone & performed complete inspection – 11/2013
- Machine Certified – 01/2014

HP400 Cone Certification

Work Description – HP400 Cone Serial # 124352

- Disassembled cone – Replacement parts include dust shell seals, pressure switches, temperature switches, locking bolt, feed plate, push button control panel, oil cooler and assembly, oil immersion heater and misc. plumbing supplies. Replaced 5HP x 1800RPM, 10HP x 1800RPM. New hydraulic hoses and fittings.
- Bench Tested Crusher – Performed 2 Hour No Load Run
- Machine Certified – 01/2014

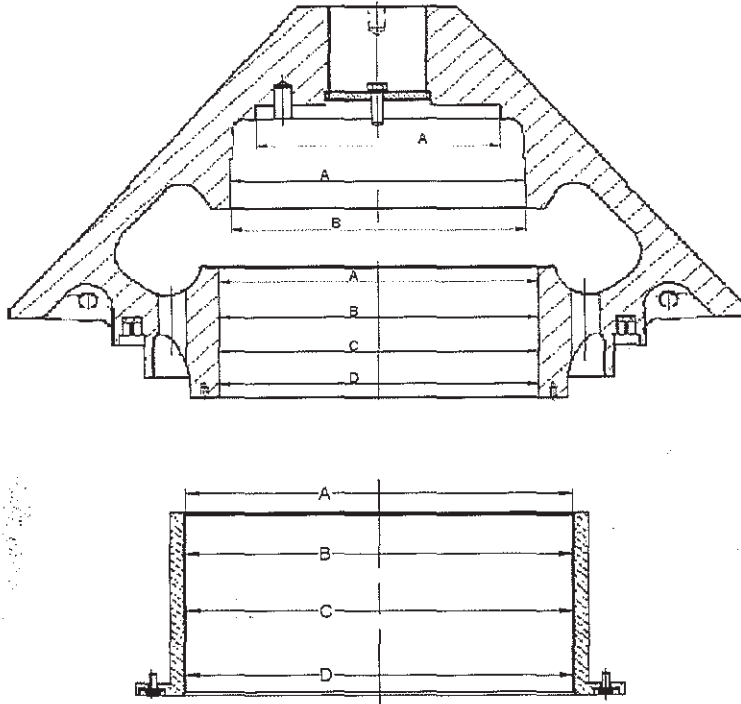
Metso HP Inspection



Customer Name:	WO# 44770
Model:	HP 400
Serial#:	124352
Location:	Service Shop
Inspection By:	
Inspection Date:	Aug/ sept 2013



Head Assembly



Head Bores

Bushing not removed

Position	A	A@90	B	B@90	C	C@90	D	D@90
Lower								
Upper								
Headball								

See notes

Lower Bushing Installed

Position	A	A@90	B	B@90	C	C@90	D	D@90
ID	21.109"	21.110"	21.111"	21.111"	21.113"	21.113"		

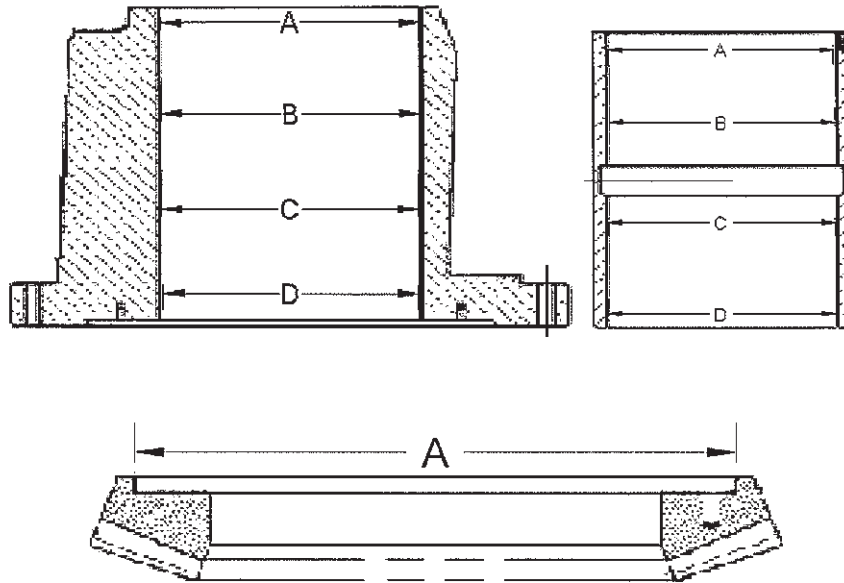
See notes

Lower Bushing Uninstalled

Position	A	A@90	B	B@90	C	C@90	D	D@90
ID								
OD		<i>Bushing not removed</i>						

See notes

Eccentric Assembly



Eccentric

Position	A	A@90	B	B@90	C	C@90	D	D@90
ID	<i>Bushing not removed</i>							
OD	21.064"	21.062"	21.062"	21.061"	21.062"	21.060"		

See notes

Eccentric Bushing Installed

Position	A	A@90	B	B@90	C	C@90	D	D@90
ID	12.828"	12.826"	12.828"	12.826"	12.828"	12.826"	12.828"	12.826"

See notes

Eccentric Bushing Uninstalled

Position	A	A@90	B	B@90	C	C@90	D	D@90
ID	<i>Bushing not removed</i>							
OD								

See notes

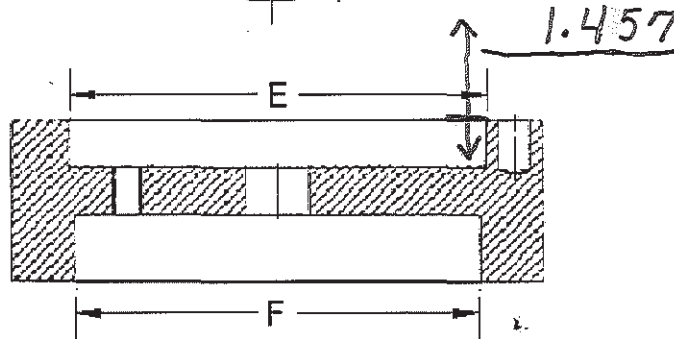
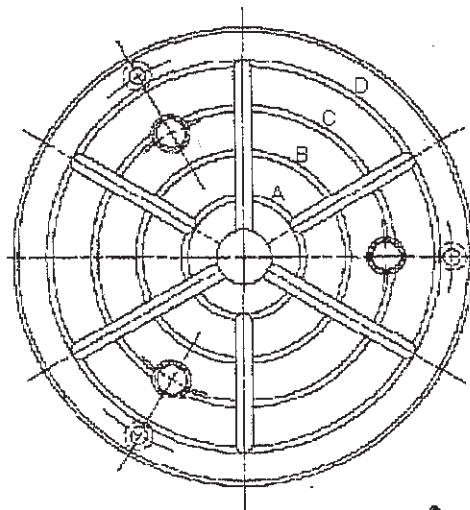
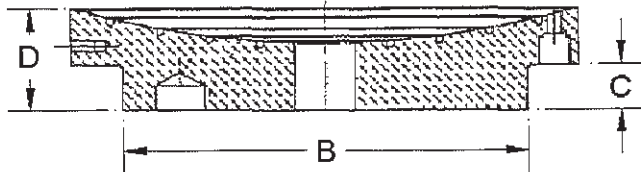
Gear

Position	A	A@90
ID		

See notes



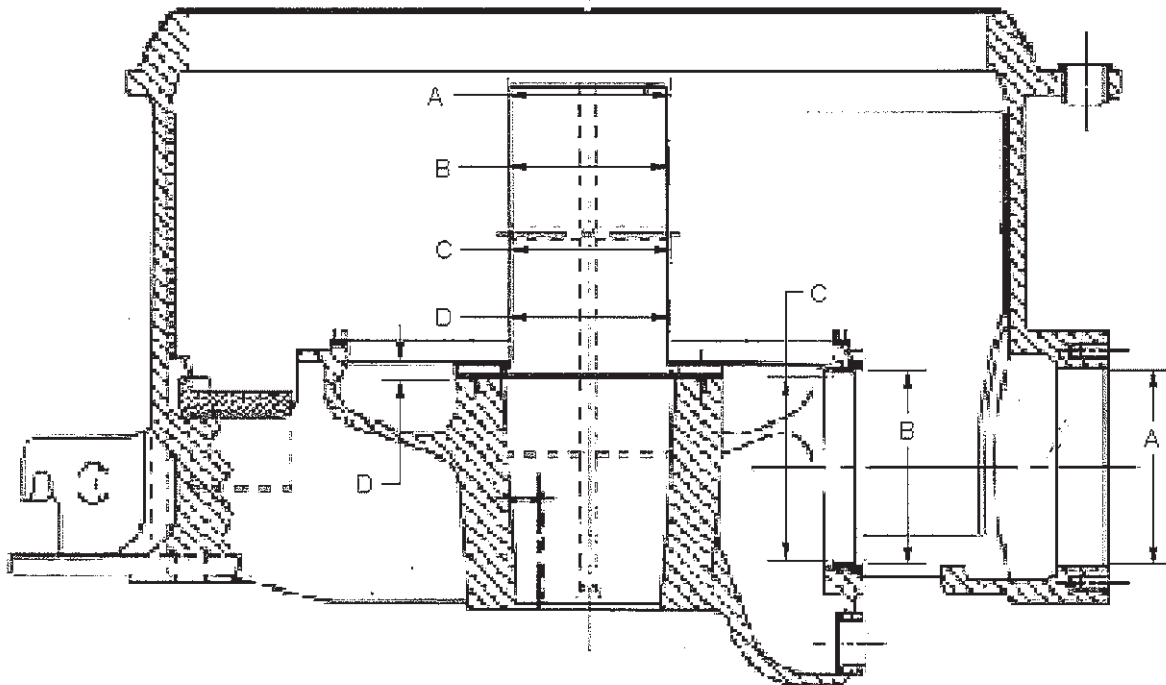
Upper Thrust Plate, Socket & Socket Liner



	A	B	C	D	E	F
Dimension		13.191	1.459		13.191	12.786
Oil Groove Depth						

See notes

Main Frame, Main Shaft, Lower Thrust Plate & Shims



Main Shaft

Position	A	A@90	B	B@90	C	C@90	D	D@90
OD	12.796"	12.795"	12.795"	12.796"	12.795"	12.795"	12.795"	12.798"

See notes

Main Frame & Lower Thrust Plate

Position	A	B	C	D
Dimensions				

See notes

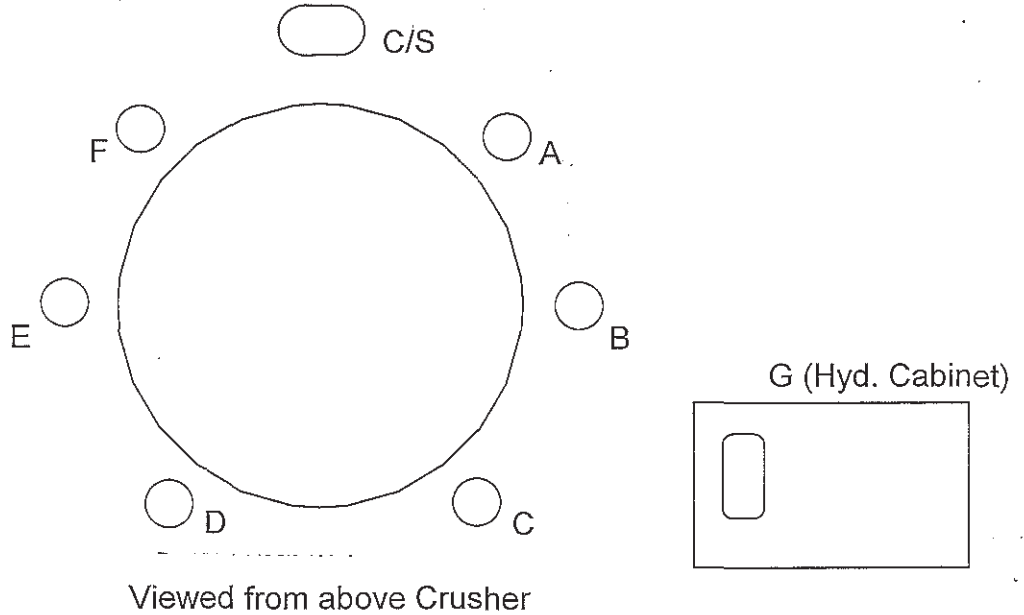
Shims

Shim Size	3.0 mm	1.6 mm	0.8 mm	0.4 mm
# of Shims				

See notes

Date: _____

New HP Specification Sheet



Countershaft end float _____

Countershaft speed _____

Accumulator PSI

Pin Boss Dimension

A	<u>1250 psi</u>
B	<u>1250 psi</u>
C	<u>1250 psi</u>
D	<u>1250 psi</u>
E	<u>1250 psi</u>
F	<u>1250 psi</u>
G	<u>1250 psi</u>

A	_____
B	_____
C	_____
D	_____
E	_____
F	_____

HP Model: 400

Serial Number: 124352

Customer: _____

Location: _____

Metso Minerals (USA) Inc.

Metso Minerals (USA) Inc., Northeast Region

416 Egypt Road, Audubon, PA 19403 Phone: +1-610-631-2900 Fax: +1-610-631-9310

2 Hour No-Load Run

Date: 9-6-13

Model: HP400

Serial#: 124352

Time	Power (amps)	Countershaft Speed (rpm)	Cooler Oil Temp (F)	Cooler Oil Pressure (psi)	Oil Filter Pressure (psid)	Return Oil Temp (F)	Countershaft Oil Pressure (psi)
2:45	58	774	86°	80	clean	86°	40
3:00	59	774	96°	74	clean	94°	40
3:15	58	774	102°	70	clean	102°	40
3:30	57	774	106°	68	clean	106°	40
3:45	56	774	110°	66	clean	108°	40
4:00	56	774	112°	64	clean	112°	40
4:15	57	774	118°	64	clean	114°	40
4:30	57	774	118°	64	clean	114°	40
4:45	55	774	118°	64	clean	114°	40

Notes:

Fan to cooler on at 118°, off at 112°. Kicked on three (3) times

Coast Down Time - 1 minute, 30 seconds

Counter Box Temp. Front Bushing 91°

 Rear Bushing 90°

Part No	Part Description	Quantity Issued
191665	Bolt, Eye. M10	3
203055	Bolt Hex M42x170 8.8	1
176283	Hose, 2 In, Black Flexwing, Pe	40
112140	Switch, Pressure	1
141316	Nipple, 1/4 x 2	2
167511	Fitting Tee .25" NPT, ANSI B16.3	3
141317	Plug Pipe 1/4 SQHD	2
130780	Hose, 1/4 Pushlock	5
103770	Gauge Press 0-100 (7007305)	1
155500	Bush HX 2 x 1/4	1
132386	Valve, 1/4 ball	1
165760	Comb Nipple 1-1/2"	2
105859	Hose, Water Red 1- 1/2 Multi-Purpose	6
164314	Bracket Assembly	1
165759	Nipple 1-1/2 x 6"	1
118926	Bushing, HX 3 x 1-1/2	1
103791	Air Breather (21880064)	1
147736	Dust Shell Seal	1
201422	Locking Bolt HP400	1
169317	Coupling, 4" Str Thd X3.50"	1
109299	Feed Plate	1
110297	Capscrew Hx M42 x 110	1
201589	Decal Oil Level	1
201587	Decal Clamp Pressure	1
201588	Decal Release Pressure	1
215047	Instructional Decal, 1029300148, Metso	1
108465	Hose Assembly 9150MMLG	6
178567	Push Button Control Box	1
109690	Filter	1
112685	Air Breather	1
160172	Spider	1
169397	Decal SV logo	1
143894	2 x 48 Red Stripe	1
215048	ADJ UnderLoadDecal, 1056376844, Metso	1
112938	Elbow, 1-1/2 inch, 90 deg	1
103790	Breather*** (21880021)	1
103773	Thermometer 0/200F (7051008)	1
108558	Temperature Switch	1
108559	Temperature Switch	1
144893	Temperature Pipe	1
143827	Elbow, 90 Deg, 4.00 Inch	1
103765	Filter Element (3894082)	2
119441	Coupling	1
132593	Nipple, 4 Pipe Close	1
113061	Coupling	1
135358	O-Ring	1

132392	Nipple, 2 king (barbed) STC25	6
135320	Clamp,Hose,2-20/64-2-40/64,H.D.2Pcs	6
210599	Nipple,King,Clamp Style 4 inch	1
165215	Hose, 4" Flexwing Hose	20
132609	Bushing, Reducer 2 To 1-1/2 Pipe	1
119770	Ring Bolt M8	2
109671	Ring Bolt M20	3
115858	Ring Bolt (M30)	2
169298	Head Lifting Plate HP400	1
108447	Capscrew,Hx M20 x 80	7
169299	Eccentric Lifting Plate HP400	1
111039	Charging Assy.	1
186868	Wrench, Locking Bolt	1
103858	Line-Up Stud (65875316)	3
170467	Cooler Assy Air Cooler/PPG Assem.	1
109748	Jackscrew	3
109749	Jackscrew	3
119772	Ring Bolt, M16	4
112507	Bolt, Ring, M36	3
215202	Reservoir Gasket	1
108425	Oil Immersion Heater	1
125057	Cone, TXT-7 Input Shaft, 402150	1
215203	Bearing,Tapered Roller,Timken,39521	1
215204	Bearing,Tapered Roller,Timken,6320	1
215205	Bearing,Tapered Roller,Timken,6386	1
135358	O-Ring	1
133865	Gasket	1
109673	Pin Straight 25MM x 80MM	3
147736	Dust Shell Seal	1
151518	Clamp, Hose 4-1/4-4/15/16	2
126134	Adapter	2
202912	Fitting,MM/Fem 37 SW	2
202901	Hose,Hydraulic,3/8 in,5300PSI	3
125483	Adapter - 20828	1
132278	Brush, Wire (2)	2
Z6027	Primer, Spray, Grey Krylon Rust	2
212353	Nordberg, Beige, Spray Can	1
188583	Paint,Carb 890,Metso Beige,Part A	5
165178	Paint,Carb 890,,Part B,All Colors	5
141305	Paint,Carb 8815,Saf.Yellow,Part A	0.8
166058	Carb 8800,Part B,Urethane Converter	0.2
108629	Paint Thinner	5
109701	British, Beige, Spray Can	1
113570	Motor,EQP C-Face,10HPx1800RPM,215TC	1
101498	Fitting, Petcock 1/4"	1
156489	Motor, Electric,CT, 5HP x 1800RPM	1
Z6022	Primer, Spray, Red Oxide Krylon	1

216089	Adapter,Hyd,202702-10-6S	1
212353	Nordberg, Beige, Spray Can	1
Z6025	Lubricant, Outdoor (S00710) PDRP	1
Z6025	Lubricant, Outdoor (S00710) PDRP	1
125844	Clamp Hose	1
108906	Pressure Switch	1