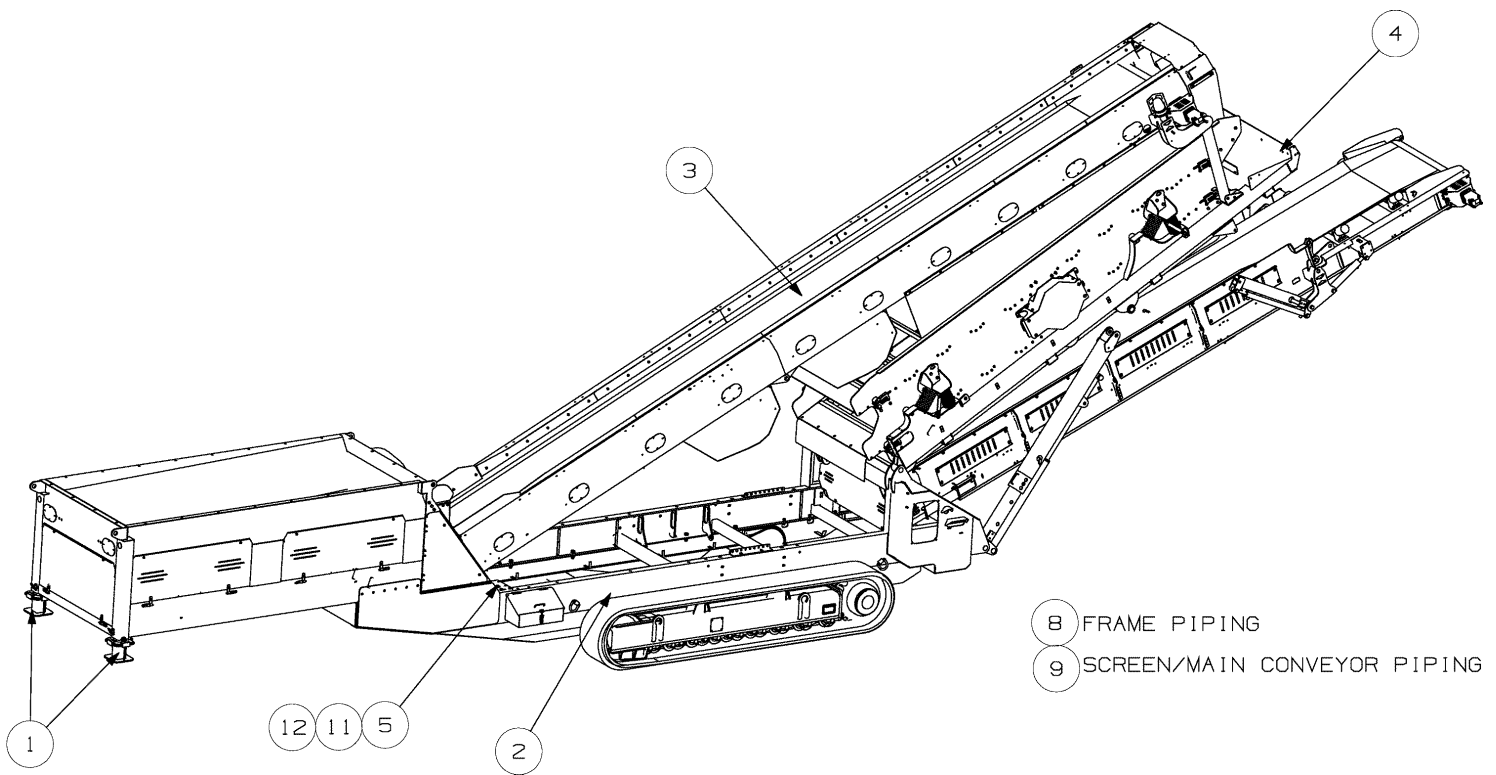


Pos.	Part No.	Description	Qty	Net Wght	Page
1	MM0579349	BASIC UNIT	1	12000	2
2	MM0584165	CONVEYOR MODULE INSTALLATION	1	4550	35
3	MM0561485	POWER UNIT	1		51
4	MM0578861	BLIND GRIZZLY ASSEMBLY	1	885	88
	MM0578561	GRID MODULE INSTALLATION	1	1006	89
5	MM0577417	FEEDER UNIT INSTALLATION	1	2642	93
6	MM0567570	PLATFORM, ASSEMBLY	1	489.02	101
12	953529	ELECTRIFICATION	1	5.5	103
16	MM0287692	CABLE GROUP	1	0.5	105
20	MM0321381	ELECTRIFICATION	1		106
21	MM0288272	TOOL BOX	1	4.65	
23	MM1015129	CHUTE INSTALLATION	1	1	109
24	MM0580538	CHUTE ASSEMBLY	1	251	110
25	MM0566713	CONVEYOR SUPPORT	1	10.75	112
600	MM0372367	CIRCUIT DIAGRAM	1		113
601	MM0415108	HYDRAULIC DIAGRAM	0		114
700	MM0383431	STICKERS, ISO	1		119

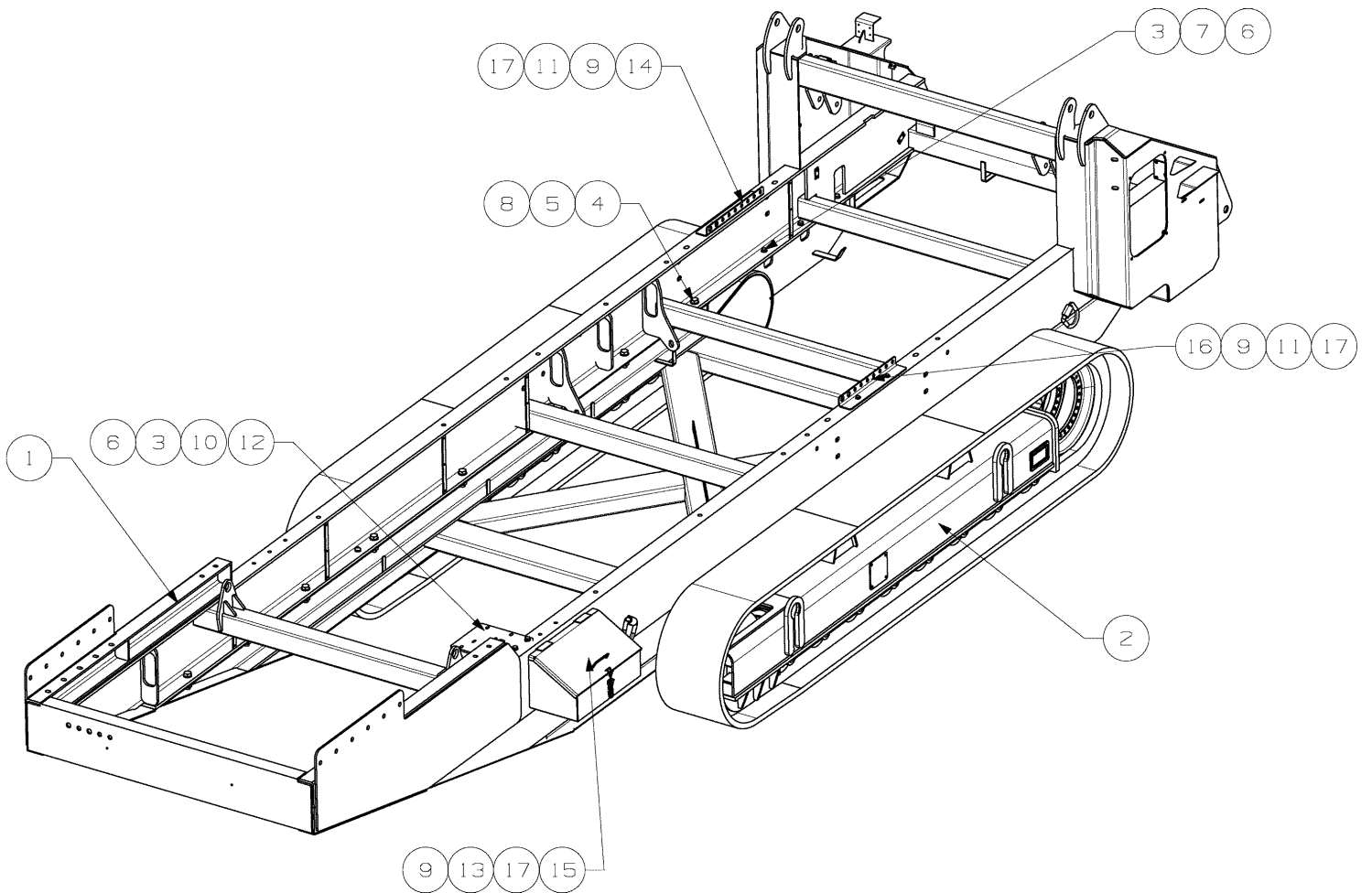




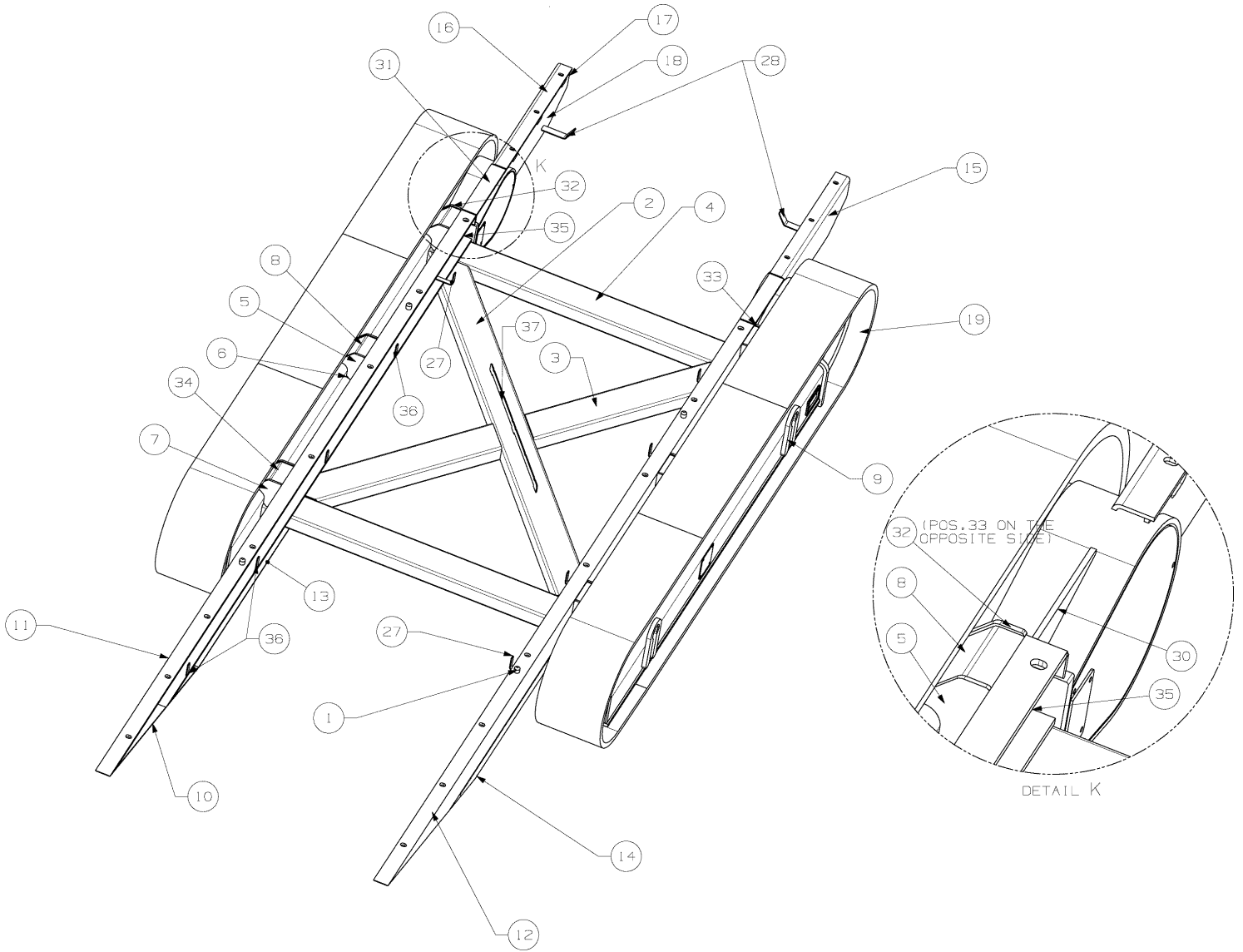
Lokotrack ST3.8 s/n 77916  
MM0579349\_0 BASIC UNIT

Pos.	Part No.	Description	Qty	Net Wght	Page
1	M09271	SHOES ASSEMBLY	2	17	
2	MM1034649	CHASSIS	1	6825	3
3	MM0561610	CONVEYOR MODULE	1	2350	8
4	MM0579318	SCREEN MODULE INSTALLATION	1	6590	14
5	N01685060	WATER LEVEL	2	0.1	
8	MM0595501	PIPING, HYDRAULIC	1	140	32
9	MM0579191	PIPING, HYDRAULIC	1	23.1	33
11	MM0579345	PIPING, HYDRAULIC	1	23.21	34





Pos.	Part No.	Description	Qty	Net Wght	Page
1	MM0580618	FRAME WELDING	1	2019.18	
2	MM1010003	TRACK WELDING	1	4825	4
3	N01530316	BOLT, HEXAGONAL	9	0.12	
4	N01530524	BOLT, HEXAGONAL	16	.37	
5	704203927240	NUT, HEXAGONAL, TORQUE	16	0.100	
6	704203927160	NUT, HEXAGONAL, TORQUE	9	0.035	
7	N01626516	WASHER, PLAIN	12	0.012	
8	704007190000	WASHER, PLAIN	32	0.030	
9	704006970000	WASHER, PLAIN	16	0.005	
10	704007040000	WASHER, PLAIN	6	0.011	
11	N01530201	BOLT, HEXAGONAL	4	0.053	
12	MM0579543	PLATE	1	7.07	
13	N01530197	BOLT, HEXAGONAL	4	0.05	
14	MM0580690	PLATE	1	2.39	
15	M10948	ASSEMBLY	1	22	7
16	MM0579803	PLATE	1	2.39	
17	704203927120	NUT, HEXAGONAL, TORQUE	8	0.010	





Lokotrack ST3.8 s/n 77916  
MM1010003\_1 TRACK WELDING

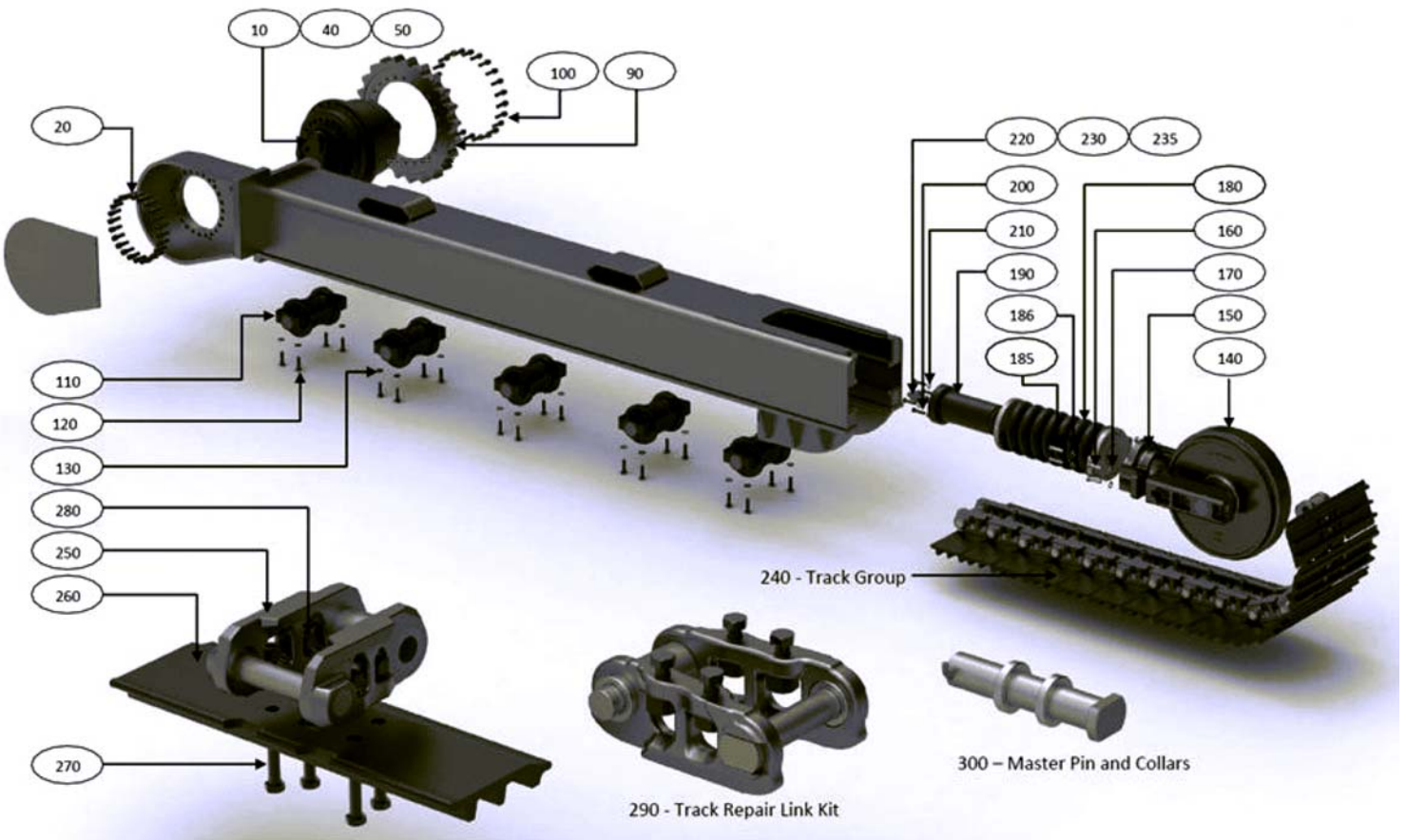
Pos.	Part No.	Description	Qty	Net Wght	Page
1	M08538	GUIDE PIN	4	0.26	
2	M09367	BOX	1	122	
3	M09368	BOX	2	56.5	
4	M09371	BOX	2	86.6	
5	MM1011007	PLATE	6	1.59	
6	M09504	PLATE	2	0.7	
7	MM1011077	PLATE	4	1.67	
8	MM1011024	PLATE	4	1.47	
10	M11532	CLOSING PLATE	2	5.51	
11	MM1010047	CHANNEL	1	162.91	
12	MM1010050	CHANNEL	1	162.9	
13	MM1010054	BOTTOM PLATE	1	13.5	
14	MM1010053	BOTTOM PLATE	1	13.5	
15	M11538	REAR PLATE	1	21.27	
16	M11539	REAR PLATE	1	21.27	
17	M11542	FILLER PLATE	2	4.28	
18	M11544	CLOSING PLATE	2	14.13	
19	MM1004564	TRACK ASSEMBLY	1	3900	5
27	MM0536869	FLAT BAR	5	.19	
28	MM0588886	PLATE	2	.62	
30	MM1010071	PLATE	2	1.51	
31	MM1009925	PLATE	2	3.66	
32	MM1010089	PLATE	1	1.32	
33	MM1011224	PLATE	1	1.32	
34	MM1011113	PLATE	2	1.47	
35	MM1009973	PLATE	2	.77	
36	MM1038206	FLAT BAR	5	.08	
37	MM1038208	PLATE	1	1.61	

THIS PAGE HAS BEEN LEFT INTENTIONALLY BLANK



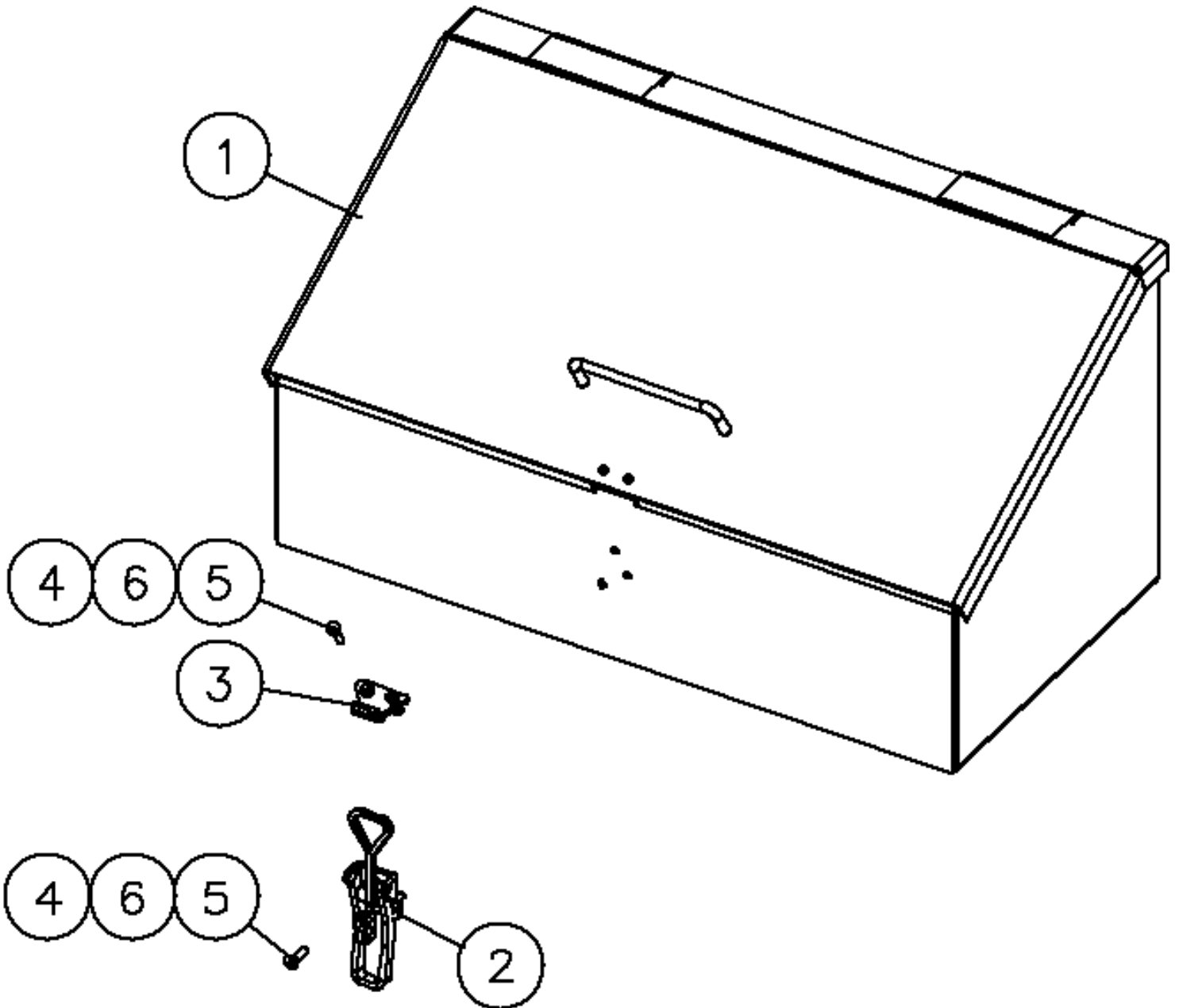
Lokotrack ST3.8 s/n 77916  
MM1004564\_0 TRACK ASSEMBLY

Pos.	Part No.	Description	Qty	Net Wght	Page
1	MM1007325	SPARE PART KIT	1	1	6



Pos.	Part No.	Description	Qty	Net Wght
10	MM0395754	GEAR BOX	1	
20	MM0395759	SCREW, SOCKET HEAD	1	
40	MM0395734	OIL DRAIN PLUG	1	0.08
50	N04457224	GEAR OIL	1	
90	MM0395758	DRIVE SPROCKET	1	
100	MM0395740	SCREW, SOCKET HEAD	1	0.12
110	MM0395741	ROLLER	1	27
120	MM0395742	BOLT, HEXAGONAL	1	0.12
130	N04457234	WASHER	1	0.02
140	9095-01	IDLER	1	87
150	MM0395743	YOKE	1	12
160	MM0395744	BOLT, HEXAGONAL	1	0.07
170	MM0236671	WASHER, SPRING	1	0.02
180	MM0395996	SPRING RETAINER	1	58
185	MM0395745	BOLT, HEXAGONAL	1	0.12
186	MM0395746	WASHER, SPRING	1	0.02
190	MM0370942	TENSIONER	1	17.9
200	MM0341190	BOLT, HEXAGONAL	1	0.07
210	MM0236671	WASHER, SPRING	1	0.02
220	N04457238	GREASE FITTING	1	0.9
230	N04457239	GASKET	1	0.2
235	MM0395747	ADAPTER	1	
240	MM0395748	TRACK	1	780
250	MM0395997	TRACK LINK ASSEMBLY	1	
260	MM0395751	TRACK SHOE	1	8.65
270	MM0395752	TRACK SHOE	1	0.15
280	MM0395753	NUT	1	0.06
290	MM0395760	REPAIR KIT	1	
300	MM0395761	MASTER PIN	1	

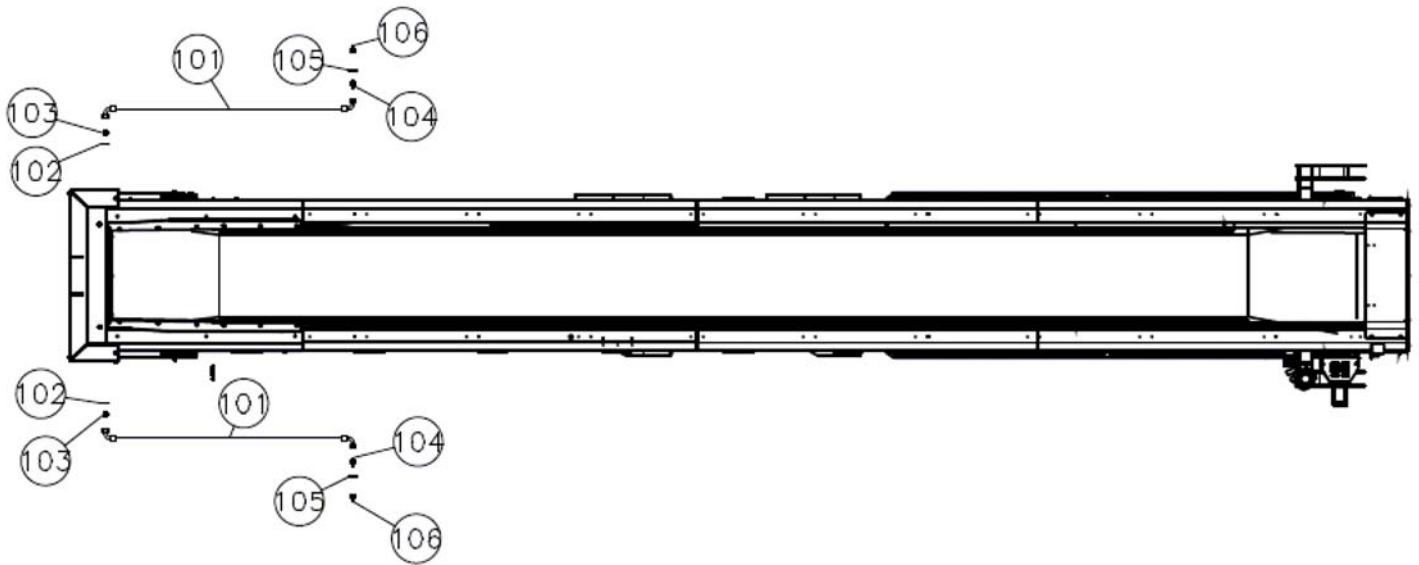


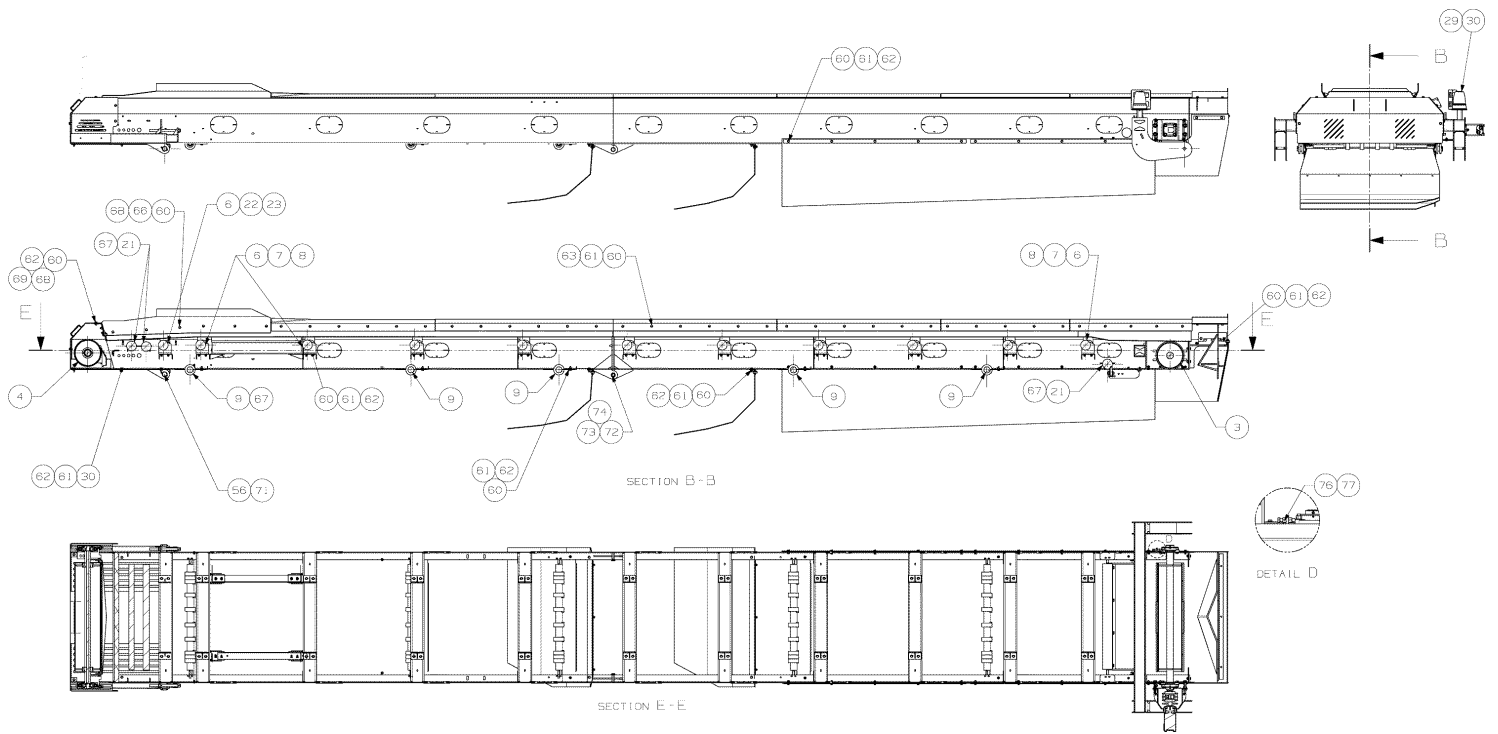


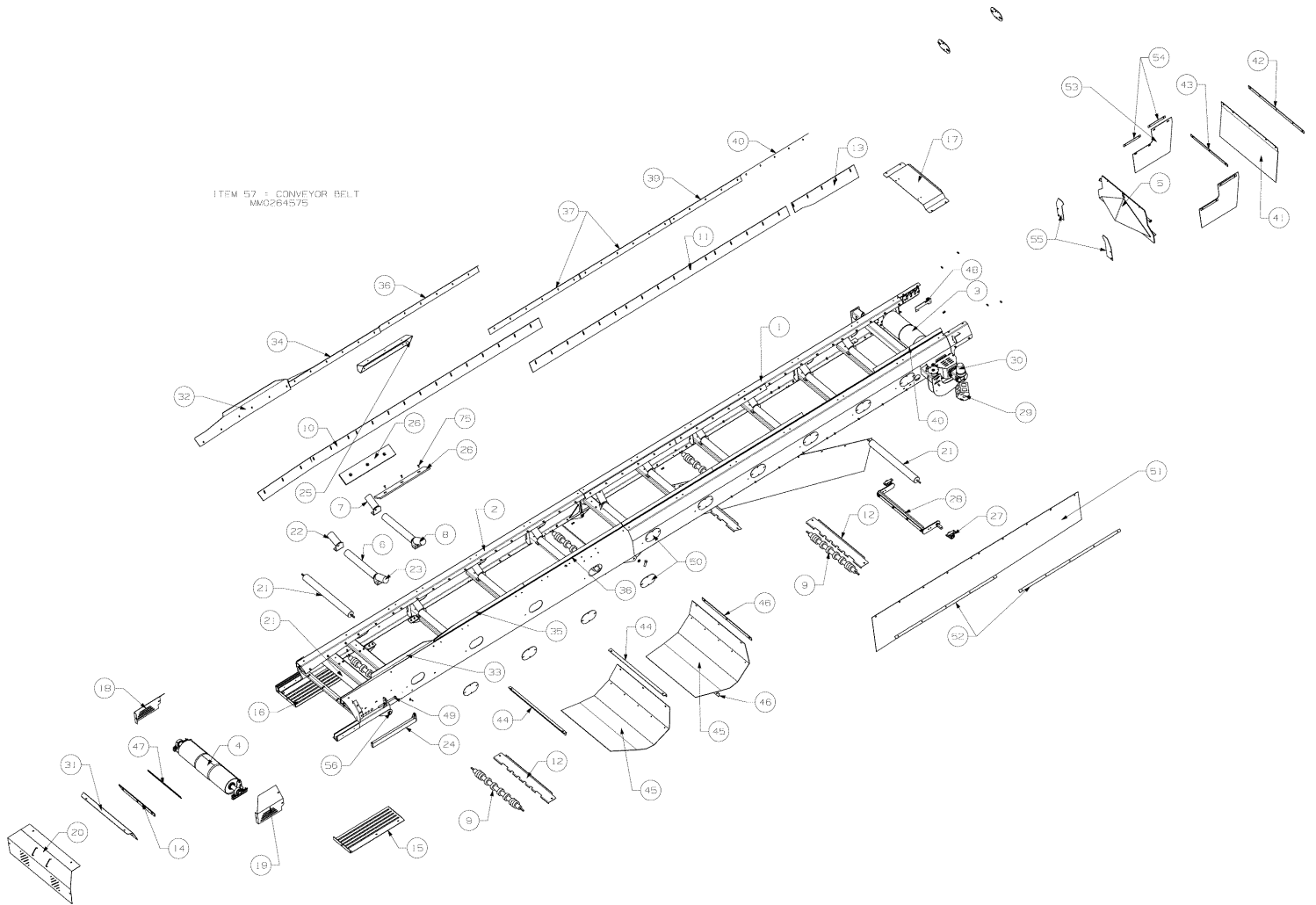


Lokotrack ST3.8 s/n 77916  
M10948\_1 ASSEMBLY

Pos.	Part No.	Description	Qty	Net Wght
1	M10949	ASSEMBLY	1	21.88
2	706300691000	TENSIONER LATCH	1	0.201
3	706300690900	HOOK	1	0.03
4	704203927050	NUT, HEXAGONAL, TORQUE	5	0.010
5	704203924060	SCREW, COUNTERSUNK, FLAT HEAD	5	0.001
6	704006830000	WASHER, PLAIN	5	0.001







THIS PAGE HAS BEEN LEFT INTENTIONALLY BLANK

Pos.	Part No.	Description	Qty	Net Wght	Page
1	MM0589245	CONVEYOR FRAME	1	584.81	
2	MM0589235	FRAME PART	1	456.64	
3	MM0544800	DRIVE DEVICE	1	148.5	9
4	MM0542203	IDLER	1	107.26	10
5	M09017	FEED PLATE ASSEMBLY	1	89.52	
6	MM0281417	ROLLER	11	7.39	
7	MM0253176	ROLLER, GUIDE	10	2.65	
8	MM0253190	ROLLER, GUIDE	10	2.65	
9	MM0264902	ROLLER, RETURN	5	9.4	
10	MM0258495	RUBBER SKIRT	2	7.66	
11	MM0258695	RUBBER SKIRT	2	7.55	
12	MM0561770	PLATE	5	5.51	
13	MM0259693	PLATE, RUBBER	2	2.05	
14	M09038	RUBBER SKIRT	1	.7	
15	MM0298094	GUARD	1	13.66	
16	MM0298095	GUARD	1	13.66	
17	M09035	PLATE	1	10.2	
18	MM0298171	SIDE GUIDE PLATE	1	4.28	
19	MM0298172	SIDE PLATE	1	4.32	
20	M09032	GUARD	1	22.5	
21	MM0281384	ROLLER	3	11.31	
22	MM0252790	ROLLER, GUIDE	1	2.65	
23	MM0252800	ROLLER, GUIDE	1	2.52	
24	M06397-1	ADJUSTING SUPPORT	2	6.18	
25	MM0282783	SUPPORT WELDING	2	12.30	
26	MM0274535	PLATE, PLASTIC	2	3.2	
27	N04205907	VIBRATION DAMPER	2	1.3	
*	M11187	ADJUSTMENT PIECE	1	0.726	
28	M09015	SCRAPER ASSEMBLY	1	25.5	12
29	M09281	PLATE	1	1	
30	N05226208	ALARM LIGHT	1	1	
31	M09040	PLATE	1	10.1	
32	M05793-1	CLAMP	1	19.5	
33	M05773-1	CLAMP	1	19.5	
34	MM0258671	CLAMP	1	5.66	
35	MM0258841	CLAMP	1	5.66	
36	MM0258672	CLAMP	2	6.14	
37	MM0258674	CLAMP	4	5.63	
39	MM0258675	CLAMP	2	4.42	
40	MM0258846	CLAMP	2	5.519	
41	M11672	COVER, RUBBER	1	4.02	
42	M09045	CLAMP	1	2.58	
43	M09044	CLAMP	1	1.6	
44	M09042	FASTENING BRACKET	2	6	
45	M11673	COVER, RUBBER	2	8.36	
46	M09039	CLAMP	2	3	
47	M09037	CLAMP	1	1.5	
48	M09346	PLATE	2	0.8	
49	M01870-1	SCREW, ADJUSTING	2	1.361	
50	908962	COVERING PLATE	20	0.2	
51	MM0564599	PLATE, RUBBER	2	11.08	
52	M11380	CLAMPING BAR	4	3.53	
53	M11674	COVER, RUBBER	2	1.65	
54	M06508-1	CLAMP	4	.352	
55	M06511-1	GUARD	2	2	
56	MM0565003	JOINT PIN	2	1.33	
57	MM0264575	CONVEYOR BELT, ENDLESS	1	305	
60	704006970000	WASHER, PLAIN	342	0.005	
61	7001530196	SCREW, HEXAGONAL	193	0.044	
62	704203927120	NUT, HEXAGONAL, TORQUE	144	0.010	
63	N01565050	NUT	72	0.023	
66	7001530198	SCREW, HEXAGONAL	17	0.046	
67	N01841013	U-BOLT	16	0.05	
68	N01565051	NUT	12	.01	



Lokotrack ST3.8 s/n 77916  
MM0561610\_7 CONVEYOR MODULE

Pos.	Part No.	Description	Qty	Net Wght	Page
69	N01530192	SCREW, HEXAGONAL	12	0.030	
71	7001530076	BOLT, HEXAGONAL	4	0.017	
72	704007190000	WASHER, PLAIN	4	0.030	
73	704203927240	NUT, HEXAGONAL, TORQUE	2	0.100	
74	N01530522	BOLT, HEXAGONAL	2	0.365	
75	704501390000	SCREW, HEXAGON SOCKET, COUNTERSUNK HEAD	6	0.030	
76	7001530325	SCREW, HEXAGONAL	1	0.141	
77	704203927160	NUT, HEXAGONAL, TORQUE	2	0.035	
78	N01626506	WASHER, PLAIN	21	0.008	
79	MM0282663	HOSE FASTENER	6	0.025	
80	N01530056	SCREW, HEXAGONAL	6	0.010	
81	704203927060	NUT, HEXAGONAL, TORQUE	11	0.010	
82	N05219003	CASE	1	0.454	
83	MM0413614	CABLE GROUP	1		13
101	MM0241223	GREASE HOSE	2		
102	MM0242756	SEAL	2	0.01	
103	MM0242794	HYDRAULIC FITTING	2	0.3	
104	MM0242793	HYDRAULIC FITTING	2	.185	
105	N02125889	WIRE MARKER	2		
106	N02122100	GREASE NIPPLE	2	0.008	

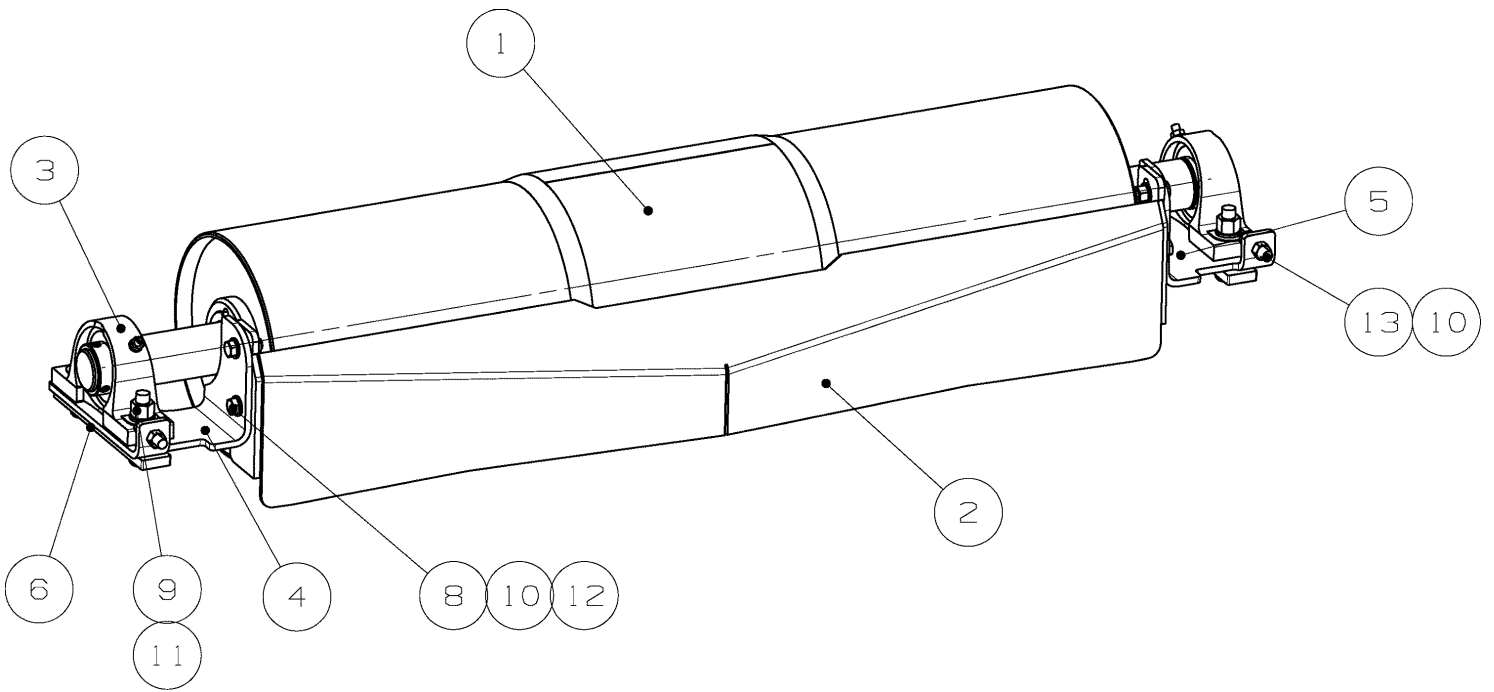




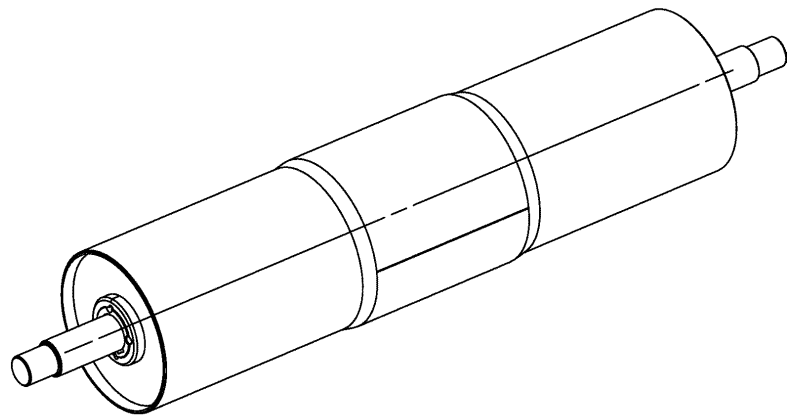
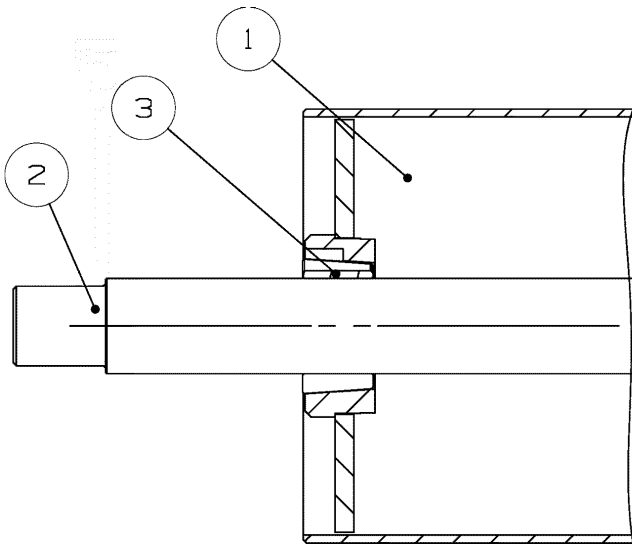


Lokotrack ST3.8 s/n 77916  
MM0544800\_0 DRIVE DEVICE

Pos.	Part No.	Description	Qty	Net Wght
1	MM0544788	DRIVE DRUM	1	100.0047
2	MM0359701	BEARING HOUSING, FLANGED	2	5.197
3	706201695960	MOTOR, HYDRAULIC	1	24
4	M06228-1	MOTOR BRACKET	1	7.04
5	M06227-1	PLATE	1	1.6
6	N03460956	COUPLING FLANGE	2	3.5
7	N03239907	BUSHING, TAPER	1	0.907
8	N03239149	BUSHING, TAPER	1	0.454
9	N03460957	ELEMENT, FLEXIBLE	1	.245
10	M10873	KEY, PARALLEL, ROUNDED	1	0.110
11	7001530332	BOLT, HEXAGONAL	4	0.200
12	N01530316	BOLT, HEXAGONAL	8	0.12
13	N01530201	BOLT, HEXAGONAL	4	0.053
14	N01530137	BOLT, HEXAGONAL	4	0.016
15	704203927160	NUT, HEXAGONAL, TORQUE	20	0.035
16	7001570012	NUT, HEXAGONAL, TORQUE	4	0.010
	M06227-1	PLATE	1	1.6
17	704203927100	NUT, HEXAGONAL, TORQUE	4	0.010
18	404405901000	WASHER	16	0.0485
19	704007040000	WASHER, PLAIN	16	0.011
20	704006970000	WASHER, PLAIN	4	0.005
21	804006920000	WASHER, PLAIN	4	0.010



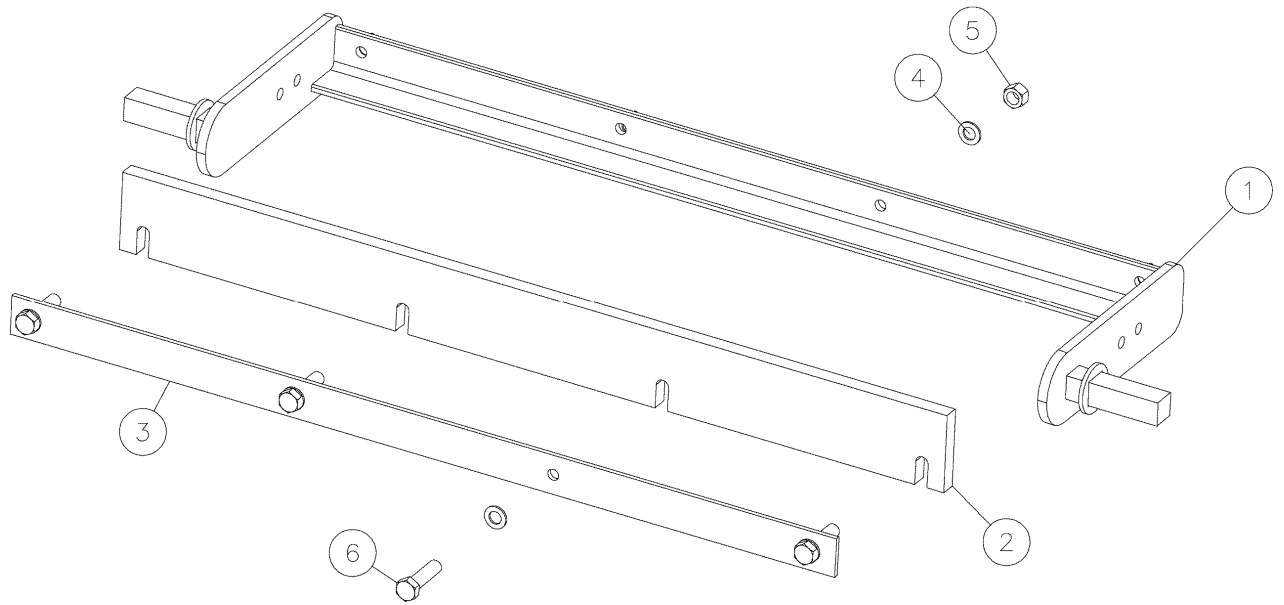
Pos.	Part No.	Description	Qty	Net Wght	Page
01	MM0542184	IDLER DRUM	1	85.5	11
02	MM0537093	BELT PLOUGH	1	9.94	
03	MM0537124	BEARING KIT	2	2.9	
4	MM1038122	PLATE	1	2.14	
5	MM1038130	PLATE	1	2.68	
06	MM0542224	MOUNTING PLATE	2	1.14	
08	N01530197	BOLT, HEXAGONAL	4	0.05	
09	704203927160	NUT, HEXAGONAL, TORQUE	4	0.035	
10	704203927120	NUT, HEXAGONAL, TORQUE	8	0.010	
11	704007040000	WASHER, PLAIN	4	0.011	
12	704006970000	WASHER, PLAIN	8	0.005	
13	7001530203	BOLT, HEXAGONAL	2	0.200	





Lokotrack ST3.8 s/n 77916  
MM0542184\_1 IDLER DRUM

Pos.	Part No.	Description	Qty	Net Wght
1	MM0537082	IDLER DRUM	1	49.49
2	MM0581870	SHAFT	1	32.31
3	706202556330	BUSHING, TAPER	2	1

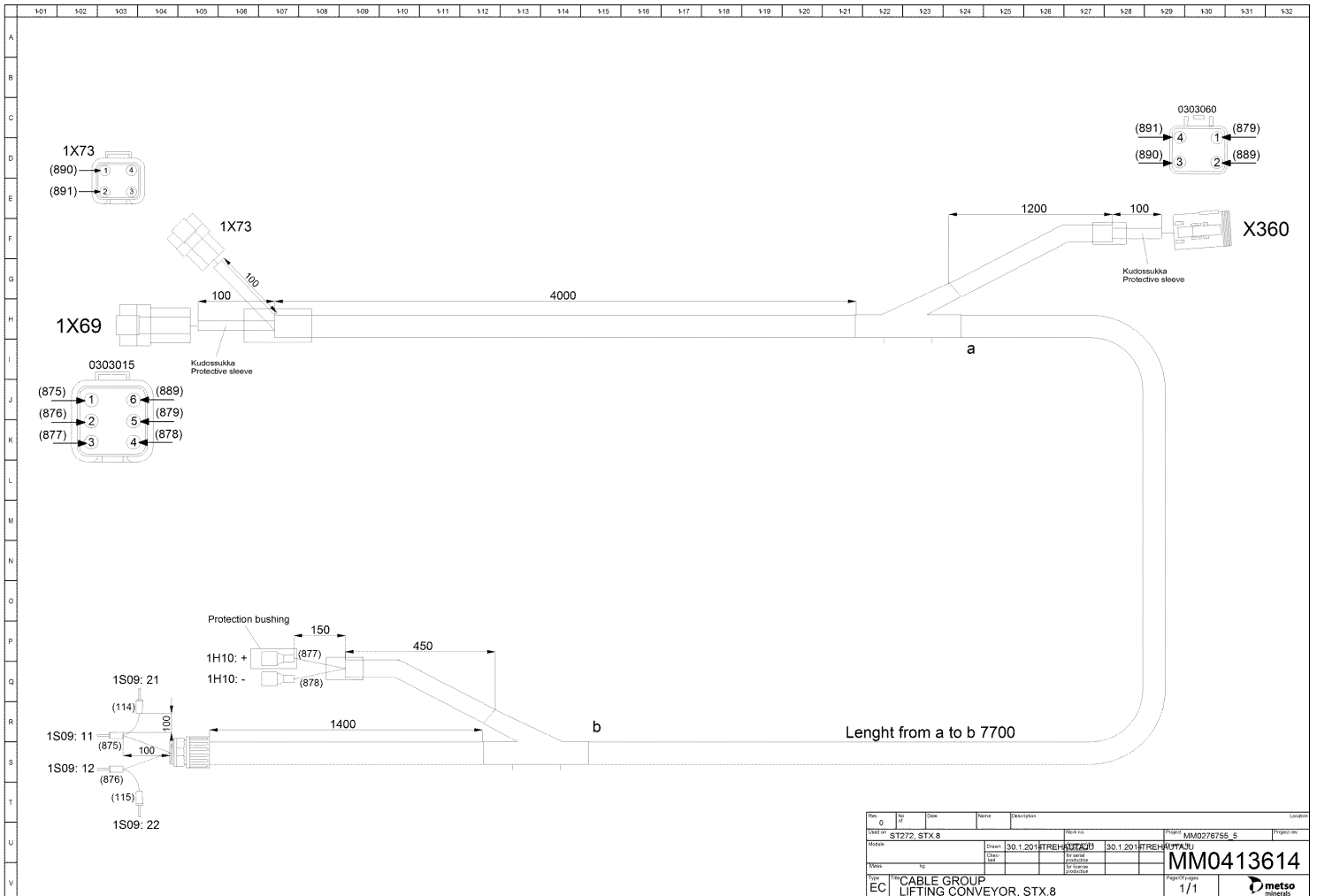




Lokotrack ST3.8 s/n 77916  
M09015\_- SCRAPER ASSEMBLY

Pos.	Part No.	Description	Qty	Net Wght
1	M09014	BRACKET	1	15
2	M09012	SCRAPER RUBBER	1	7.4
3	M09013	CLAMP	1	2.09
4	N01626516	WASHER, PLAIN	8	0.012
5	704203927160	NUT, HEXAGONAL, TORQUE	4	0.035
6	N01530316	BOLT, HEXAGONAL	4	0.12

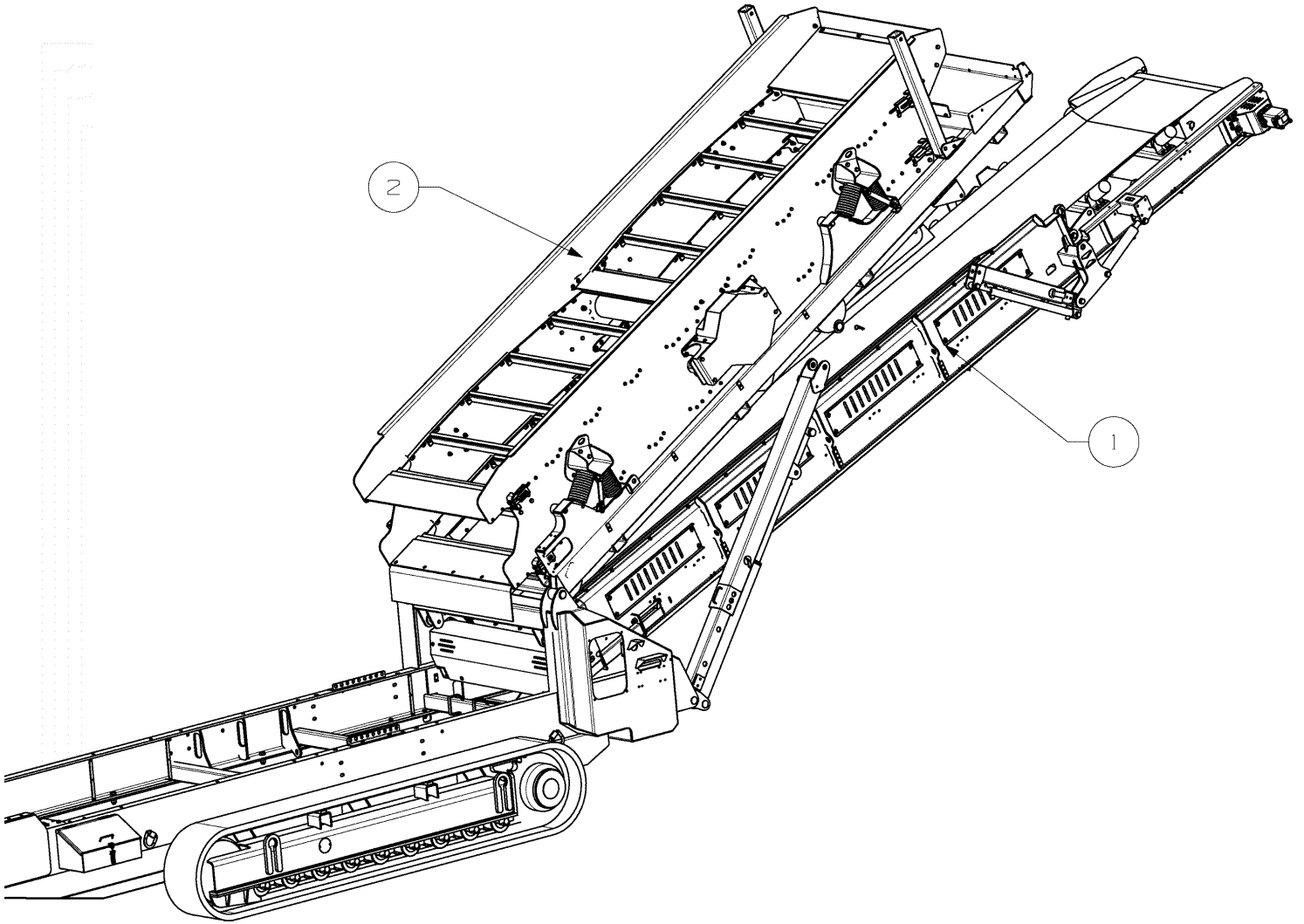






Lokotrack ST3.8 s/n 77916  
MM0413614\_0 CABLE GROUP

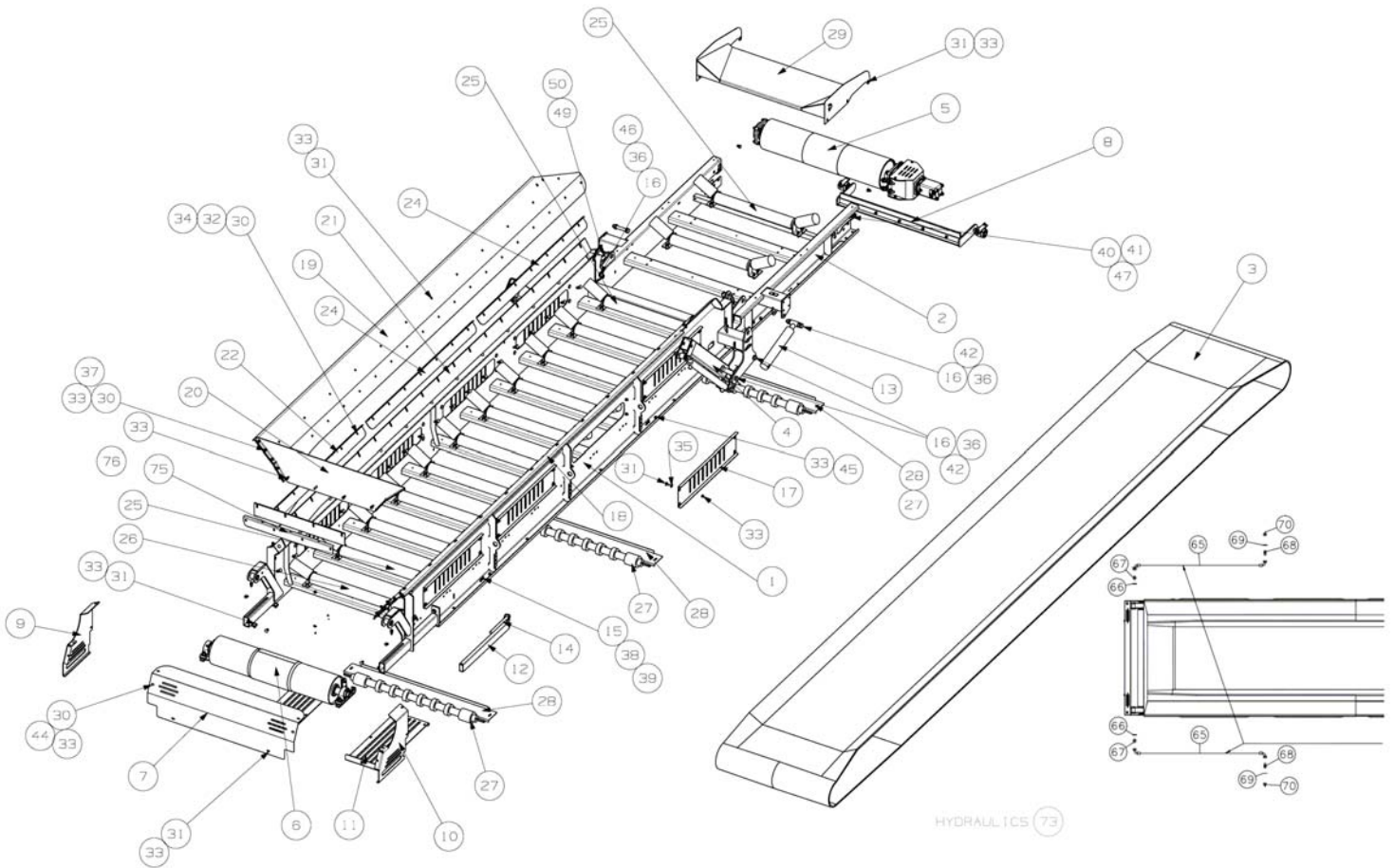
Pos.	Part No.	Description	Qty	Net Wght
1H10	707300714000	CONNECTION	2	
	707402075913	PROTECTION BUSHING	1	
1S09	707301875300	TERMINAL BUSHING	2	.01
	707301875400	TERMINAL BUSHING	2	.01
1X69	N11449813	SOCKET	1	.01
1X73	N05227968	SOCKET	1	.05
X360	N11449656	PLUG	1	0.113





Lokotrack ST3.8 s/n 77916  
MM0579318\_5 SCREEN MODULE INSTALLATION

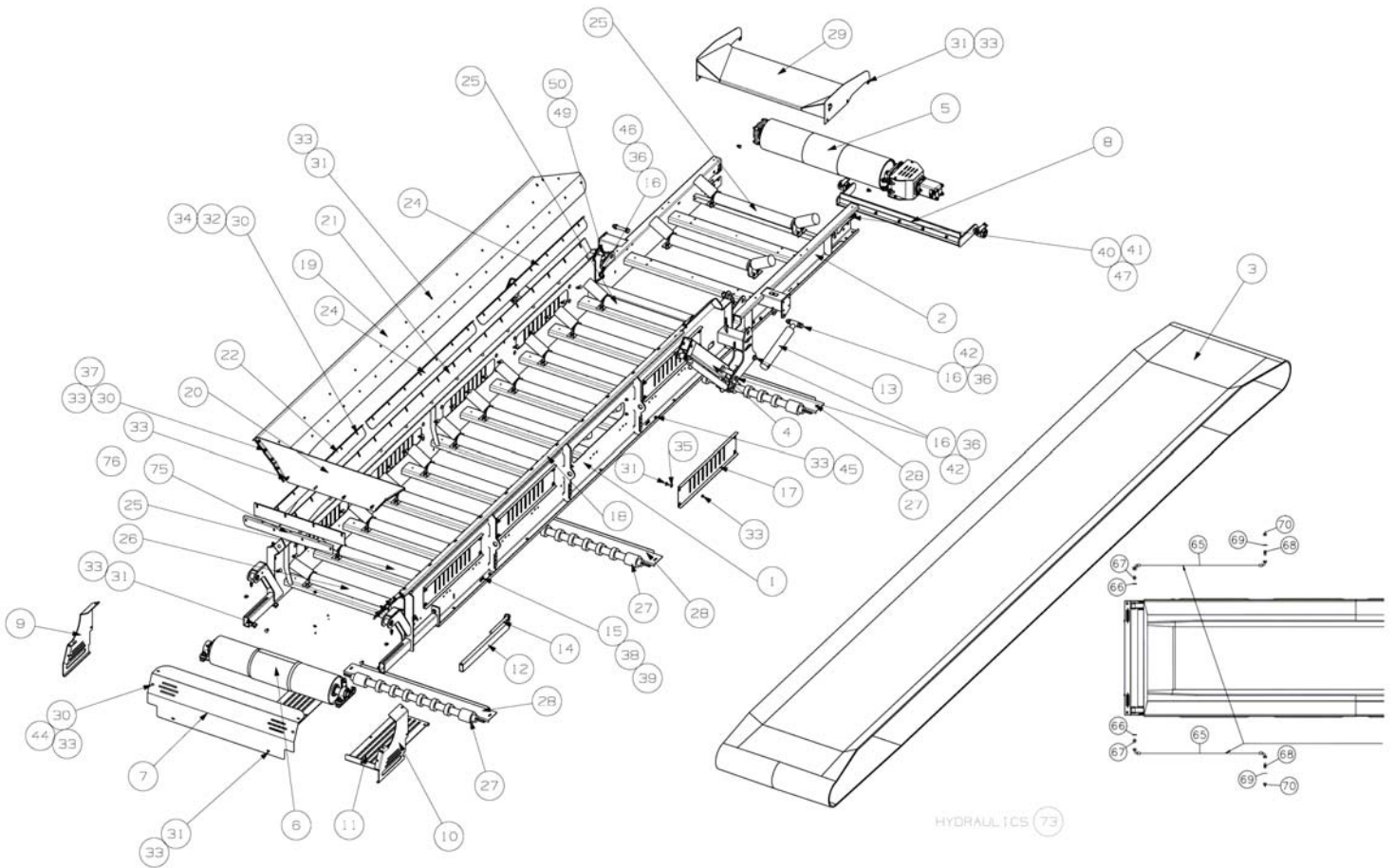
Pos.	Part No.	Description	Qty	Net Wght	Page
1	MM0559286	CONVEYOR MODULE	1	2060	15
2	MM0579298	SCREEN INSTALLATION	1	4583.78	24





Lokotrack ST3.8 s/n 77916  
MM0559286\_5\_1 CONVEYOR MODULE

Pos.	Part No.	Description	Qty	Net Wght	Page
1	MM1001691	FRAME WELDING	1	554.002	
2	MM1001690	FRAME WELDING	1	132.97	
3	MM0264582	CONVEYOR BELT, ENDLESS	1	220	
4	MM0560037	SUPPORT ASSEMBLY	1	74.41	16
5	MM0545357	DRIVE DEVICE	1	154	18
6	MM0542334	IDLER	1	108	19
7	M09580	GUARD	1	20.81	
8	M09469	SCRAPER ASSEMBLY	1	28.5	20
9	MM0298193	GUARD	1	7.81	
10	MM0298194	GUARD	1	7.77	
11	MM0324331	GUARD	2	12.65	
12	M06397-1	ADJUSTING SUPPORT	2	6.18	
13	MM0298933	CYLINDER, HYDRAULIC	2	12.4	
14	M01870-1	SCREW, ADJUSTING	2	1.361	
15	N01841013	U-BOLT	6	0.05	
16	N01565003	NUT, HEXAGONAL	8	0.094	
17	MM0316935	COVER PLATE	8	6.09	
18	MM1018690	SIDE PLATE	1	93.33	
19	MM1018652	SIDE PLATE	1	93.33	
20	MM1018704	WELDING	1	19.21	
21	MM0559864	PLATE, RUBBER	2	6.69	
22	MM0559987	PLATE	1	4.58	
23	MM0560006	PLATE	1	4.58	
24	MM0298198	CLAMP	4	5.46	
25	MM0267848	ROLLER ASSEMBLY	12	17	21
26	MM0267847	ROLLER ASSEMBLY	1	17	22
27	MM0264889	ROLLER, RETURN	3	11.2	
28	MM0265144	PLATE	3	6	
29	M09459	BELT GUARD ASSEMBLY	1	32.94	
30	704006970000	WASHER, PLAIN	60	0.005	
31	N01549079	SCREW, ROUND HEAD SQUARE NECK	74	.04	
32	704203927120	NUT, HEXAGONAL, TORQUE	40	0.010	
33	MM0317489	NUT, HEXAGONAL, FLANGED	98	0.022	
34	704102260000	BOLT, SQUARE NECK, CUP HEAD	40	0.080	
35	704007090000	WASHER, PLAIN	32	0.020	
36	704007190000	WASHER, PLAIN	16	0.030	
37	7001530196	SCREW, HEXAGONAL	10	0.044	
38	704203927080	NUT, HEXAGONAL, TORQUE	12	0.011	
39	704006880000	WASHER, PLAIN	12	0.010	
40	704203927160	NUT, HEXAGONAL, TORQUE	4	0.035	
41	704007040000	WASHER, PLAIN	4	0.011	
		CONTINUES ON THE NEXT PAGE			15-2

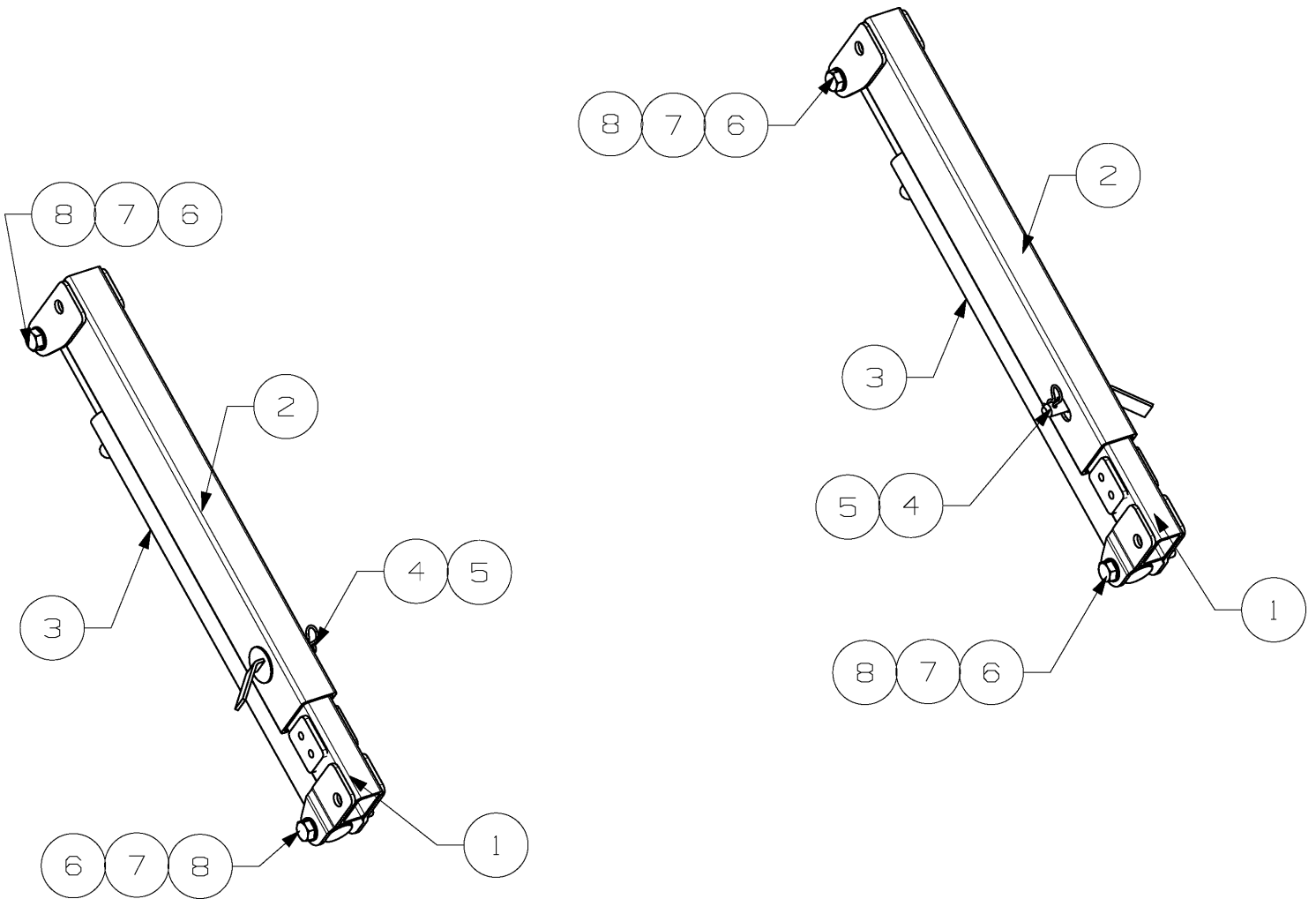




Lokotrack ST3.8 s/n 77916  
MM0559286\_5\_2 CONVEYOR MODULE

Pos.	Part No.	Description	Qty	Net Wght	Page
		STARTED ON THE PREVIOUS PAGE			15
42	N01530540	BOLT, HEXAGONAL	6	0.630	
44	N01530199	BOLT, HEXAGONAL	4	0.05	
45	N01530194	SCREW, HEXAGONAL	6	0.037	
46	N01530524	BOLT, HEXAGONAL	2	.37	
47	7001530322	SCREW, HEXAGONAL	2	0.120	
49	706303524110	PIN, SPRING	2	0.035	
50	M04849-121	PIN	2		
51	MM0553125	HYDRAULIC HOSE	2	6.88	
65	MM0298861	GREASE HOSE	2	.35	
66	MM0242756	SEAL	2	0.01	
67	MM0242794	HYDRAULIC FITTING	2	0.3	
68	MM0242793	HYDRAULIC FITTING	2	.185	
69	N02125889	WIRE MARKER	2		
70	N02122100	GREASE NIPPLE	2	0.008	
71	MM0296569	MACHINE PLATE	1		
72	706201173000	BOOSTER SCREW	4	0.01	
73	MM0588008	PIPING, HYDRAULIC	1	37	23
75	MM1018736	PLATE, RUBBER	1	1.15	
76	MM1018707	CLAMP	1	2.74	

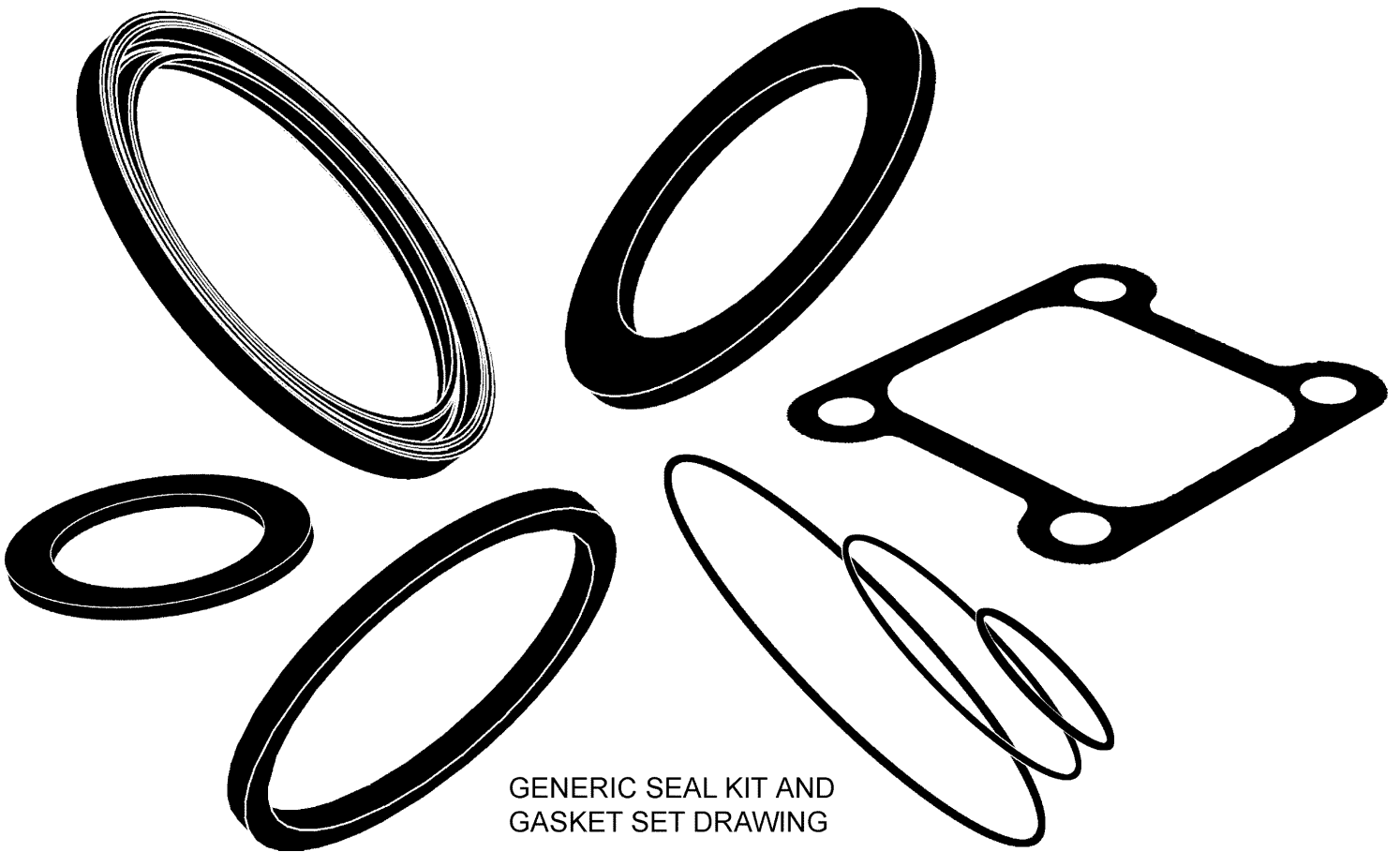






Lokotrack ST3.8 s/n 77916  
MM0560037\_0 SUPPORT ASSEMBLY

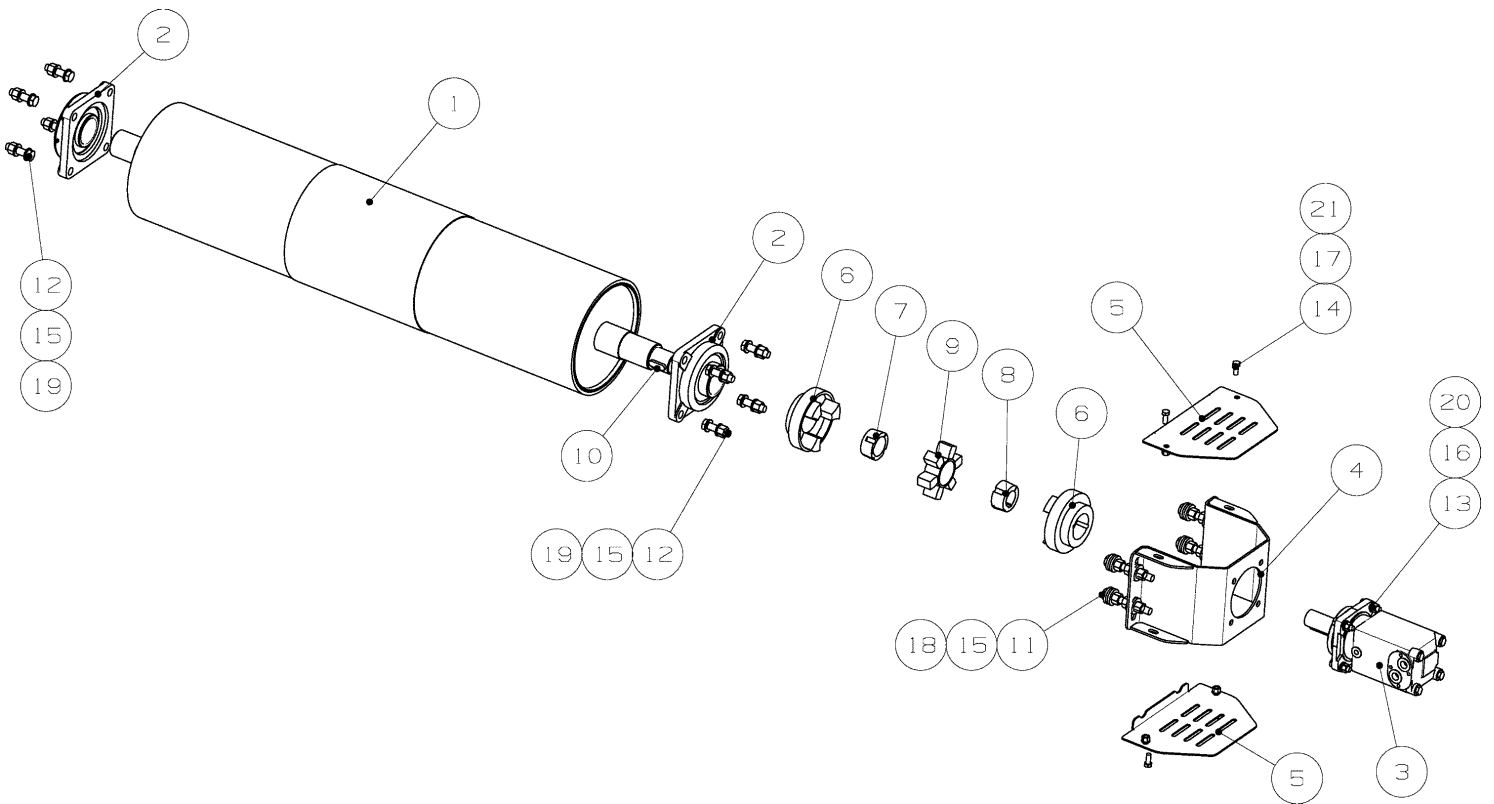
Pos.	Part No.	Description	Qty	Net Wght	Page
1	MM0560040	SUPPORT	2	16.4	
2	MM0560041	SUPPORT	2	18.5	
3	MM0237489	CYLINDER, HYDRAULIC	2	14	17
4	M04849-45	PIN	2	1.25	
5	706303524110	PIN, SPRING	2	0.035	
6	N01565003	NUT, HEXAGONAL	4	0.094	
7	N01530533	BOLT, HEXAGONAL	4	0.600	
8	704007190000	WASHER, PLAIN	8	0.030	





Lokotrack ST3.8 s/n 77916  
MM0237489\_0 CYLINDER, HYDRAULIC

Pos.	Part No.	Description	Qty	Net Wght
0	N02471022	SEAL KIT	1	0.1



Pos.	Part No.	Description	Qty	Net Wght
1	MM0545380	DRIVE DRUM	1	106.24
2	MM0359701	BEARING HOUSING, FLANGED	2	5.197
3	706201695960	MOTOR, HYDRAULIC	1	24
4	M06228-1	MOTOR BRACKET	1	7.04
5	M06227-1	PLATE	2	1.6
6	N03460956	COUPLING FLANGE	2	3.5
7	N03239907	BUSHING, TAPER	1	0.907
8	N03239149	BUSHING, TAPER	1	0.454
9	N03460957	ELEMENT, FLEXIBLE	1	.245
10	M10873	KEY, PARALLEL, ROUNDED	1	0.110
11	7001530332	BOLT, HEXAGONAL	4	0.200
12	N01530316	BOLT, HEXAGONAL	8	0.12
13	N01530201	BOLT, HEXAGONAL	4	0.053
14	N01530136	SCREW, HEXAGONAL	4	0.020
15	704203927160	NUT, HEXAGONAL, TORQUE	20	0.035
16	704203927120	NUT, HEXAGONAL, TORQUE	4	0.010
17	704203927100	NUT, HEXAGONAL, TORQUE	4	0.010
18	404405901000	WASHER	16	0.0485
19	704007040000	WASHER, PLAIN	16	0.011
20	704006970000	WASHER, PLAIN	4	0.005
21	804006920000	WASHER, PLAIN	4	0.010

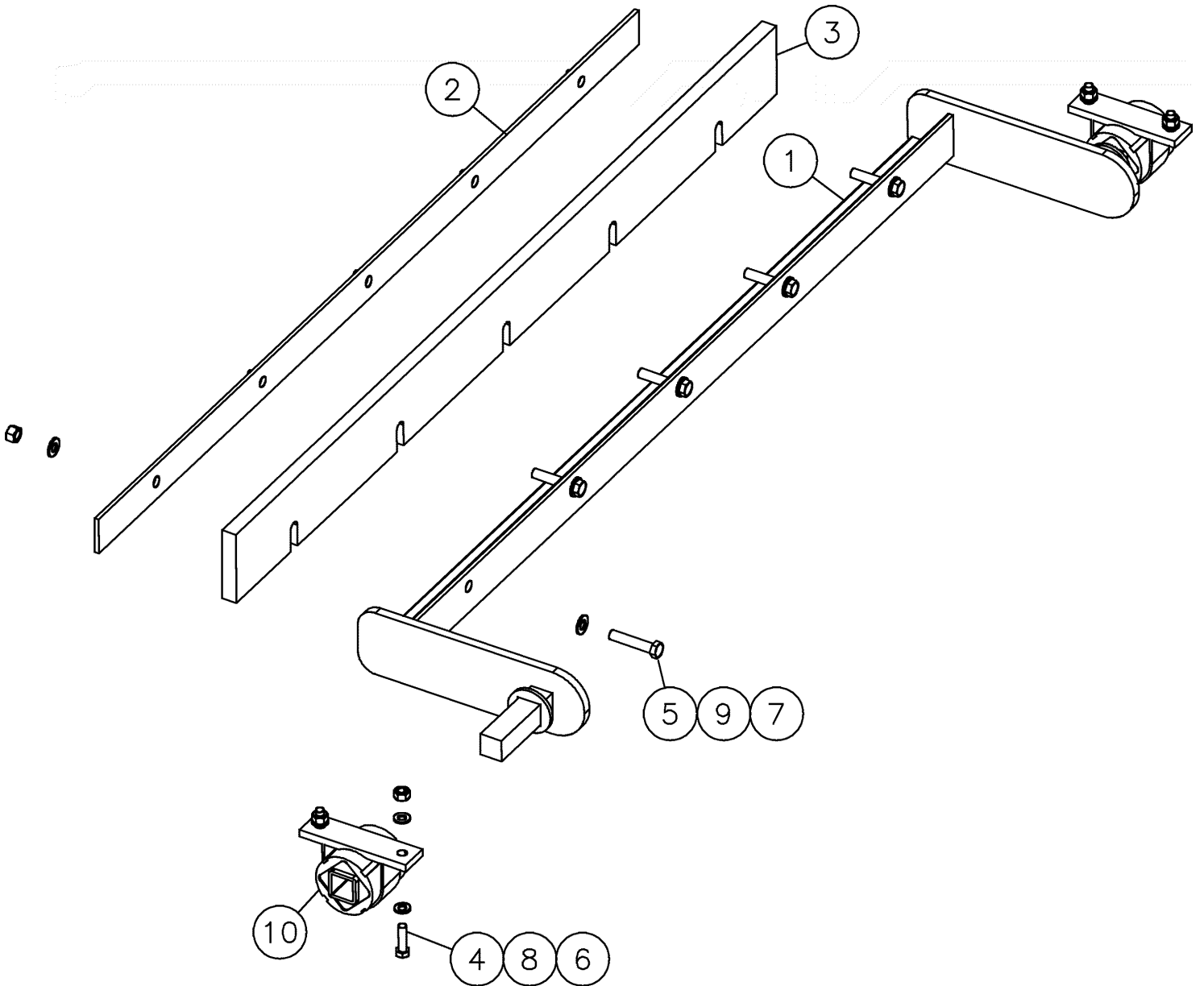




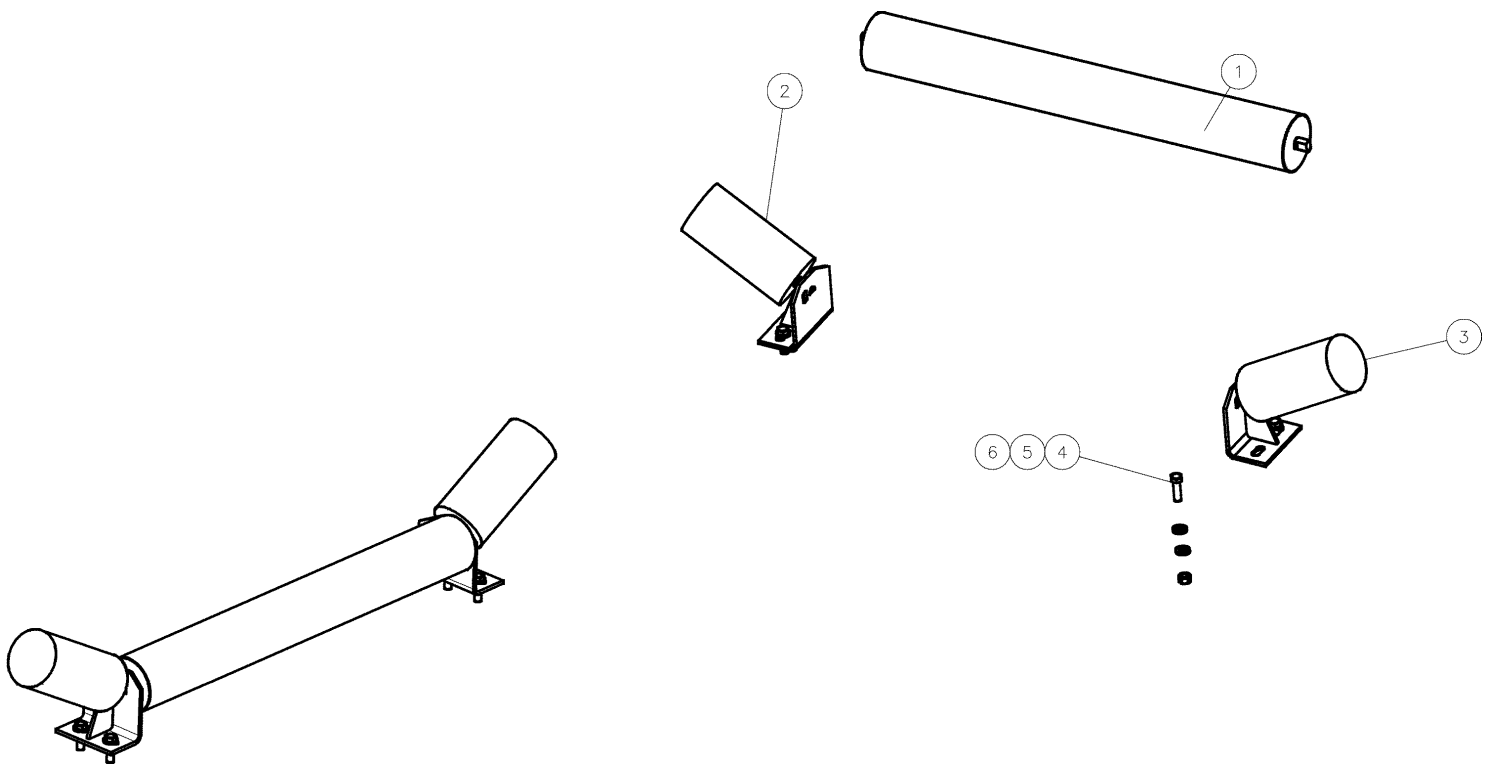
Lokotrack ST3.8 s/n 77916  
MM0542334\_1 IDLER

Pos.	Part No.	Description	Qty	Net Wght
01	MM0542423	IDLER DRUM	1	82.5
02	MM0542465	BELT PLOUGH	1	10.05
03	MM0537124	BEARING KIT	2	2.9
4	MM1037791	PLATE	1	1.84
5	MM1037973	PLATE	1	2.26
06	MM0538007	PIPE	2	.36
07	MM0542224	MOUNTING PLATE	2	1.14
08	N01530197	BOLT, HEXAGONAL	4	0.05
09	704203927160	NUT, HEXAGONAL, TORQUE	4	0.035
10	704203927120	NUT, HEXAGONAL, TORQUE	8	0.010
11	704007040000	WASHER, PLAIN	4	0.011
12	704006970000	WASHER, PLAIN	8	0.005
13	N01530206	BOLT, HEXAGONAL	2	0.067





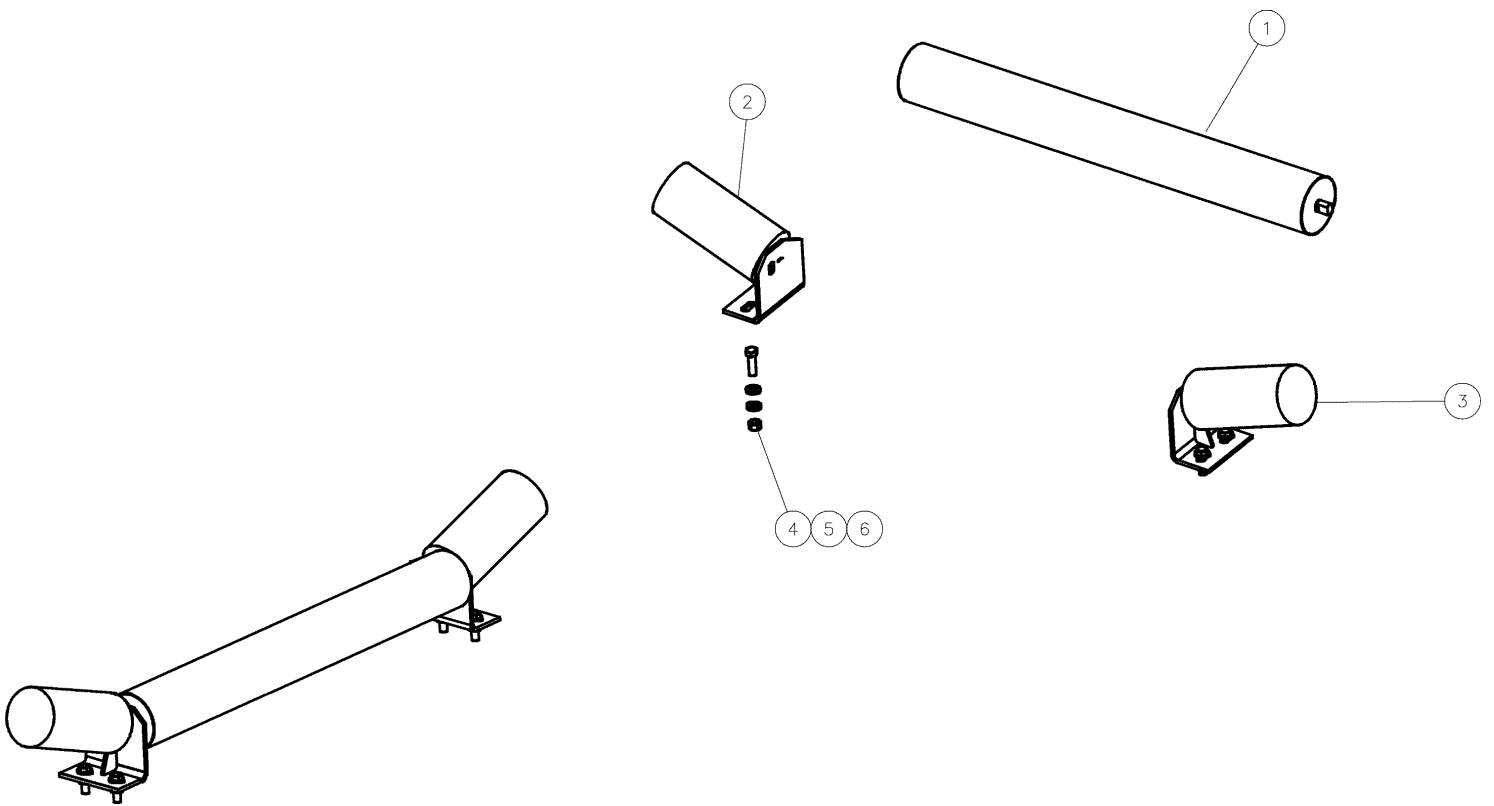
Pos.	Part No.	Description	Qty	Net Wght
1	M09470	SCRAPER ASSEMBLY	1	16.13
2	M09472	SCRAPER PLATE	1	2.47
3	M09473	SCRAPER RUBBER	1	8.7
4	N01530140	SCREW, HEXAGONAL	4	0.030
5	N01530206	BOLT, HEXAGONAL	5	0.067
6	N01570210	NUT, HEXAGONAL, TORQUE	4	0.013
7	7001570012	NUT, HEXAGONAL, TORQUE	5	0.010
8	N01626510	WASHER, PLAIN	8	0.1
9	704006970000	WASHER, PLAIN	10	0.005
10	N04205907	VIBRATION DAMPER	2	1.3
*	M11187	ADJUSTMENT PIECE	1	0.726



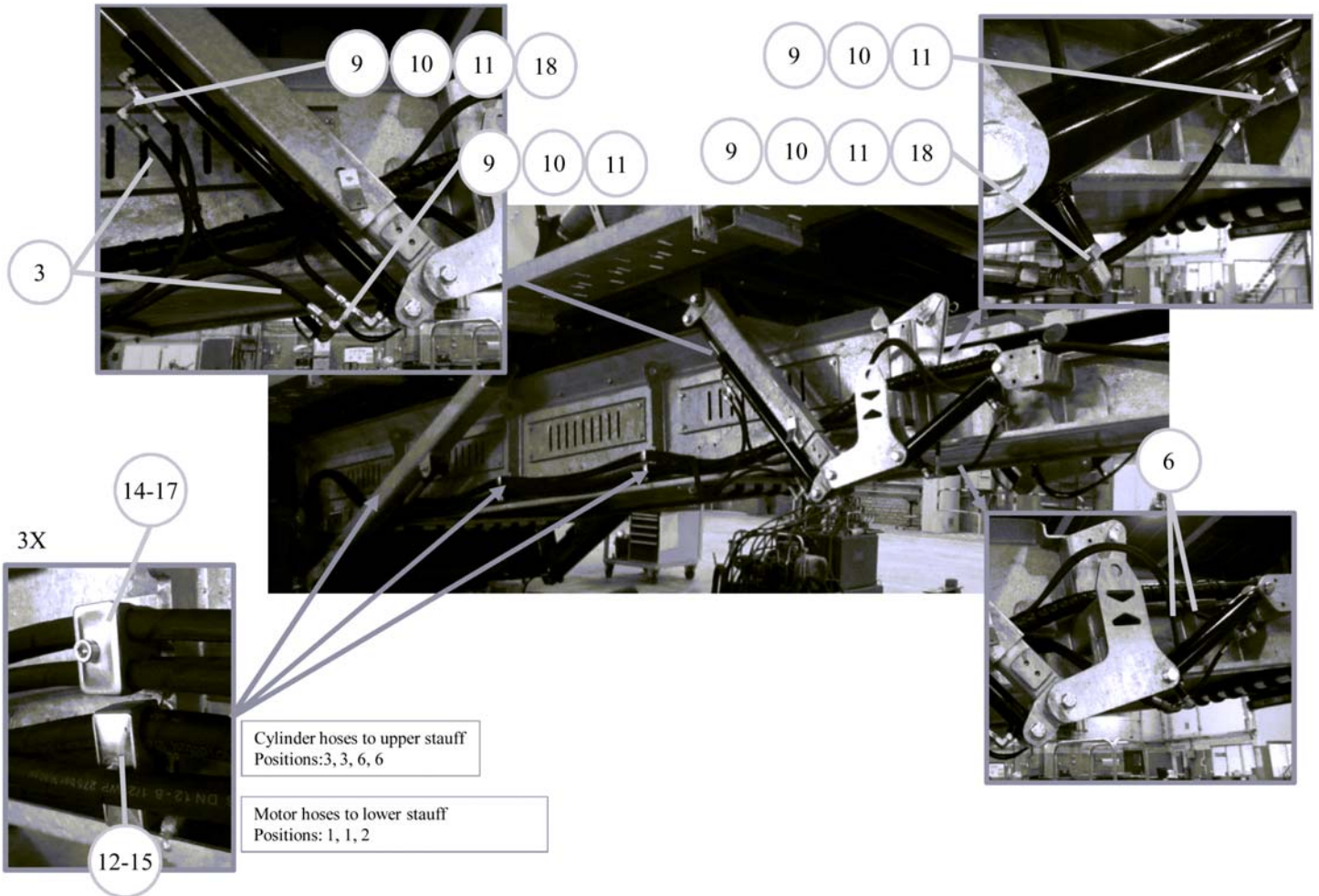


Lokotrack ST3.8 s/n 77916  
MM0267848\_1 ROLLER ASSEMBLY

Pos.	Part No.	Description	Qty	Net Wght
1	MM0281938	ROLLER	1	8.44
2	MM0253176	ROLLER, GUIDE	1	2.65
3	MM0253190	ROLLER, GUIDE	1	2.65
4	7001570012	NUT, HEXAGONAL, TORQUE	4	0.010
5	704006970000	WASHER, PLAIN	8	0.005
6	N01530199	BOLT, HEXAGONAL	4	0.05



Pos.	Part No.	Description	Qty	Net Wght
1	MM0281938	ROLLER	1	8.44
2	MM0252790	ROLLER, GUIDE	1	2.65
3	MM0252800	ROLLER, GUIDE	1	2.52
4	7001570012	NUT, HEXAGONAL, TORQUE	4	0.010
5	704006970000	WASHER, PLAIN	8	0.005
6	N01530199	BOLT, HEXAGONAL	4	0.05

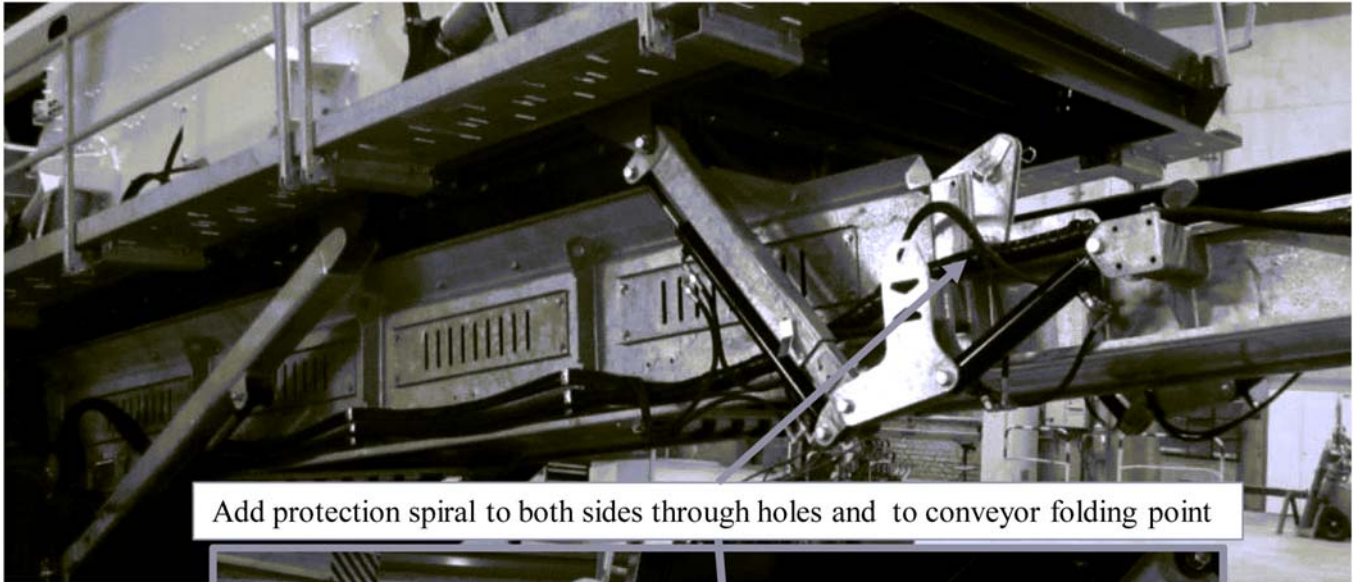




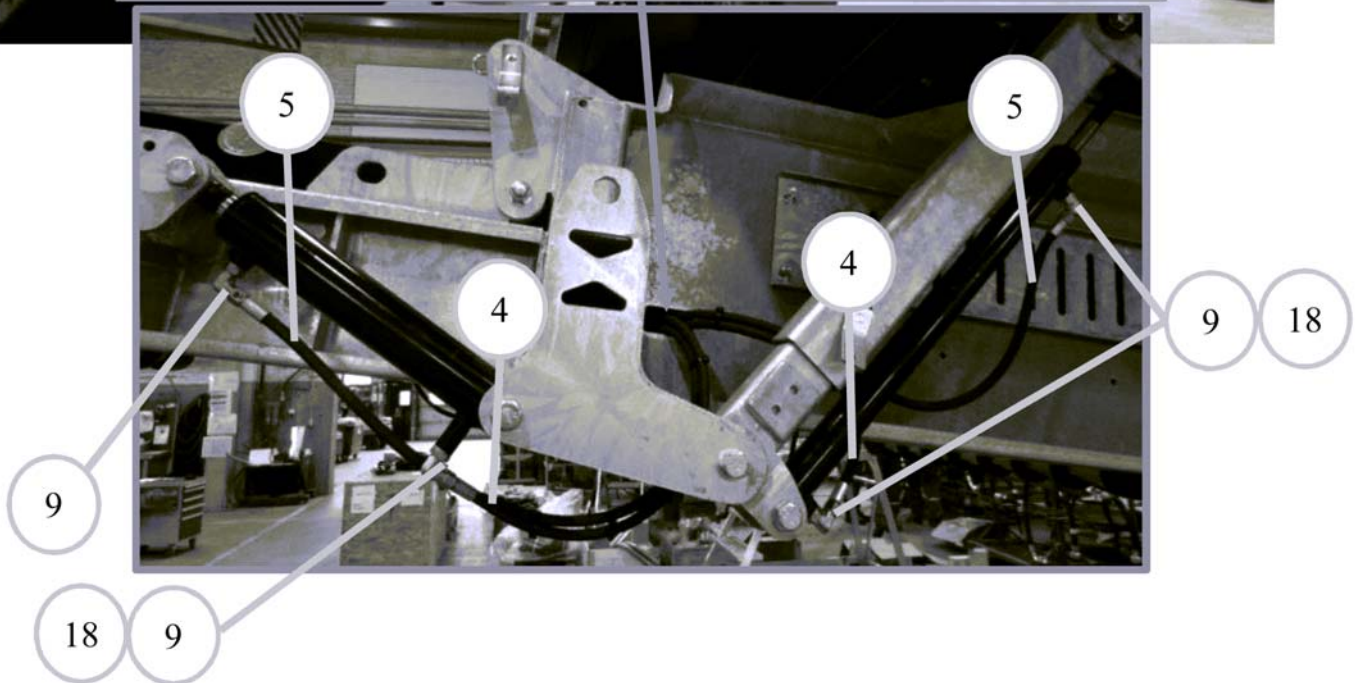
Lokotrack ST3.8 s/n 77916  
MM0588008\_1\_1 PIPING, HYDRAULIC

Pos.	Part No.	Description	Qty	Net Wght
1	MM0587602	HYDRAULIC HOSE	2	6.4
2	MM0539486	HYDRAULIC HOSE	1	3.91
3	MM0270507	HYDRAULIC HOSE	2	2.34
4	N44461051	HYDRAULIC HOSE	2	1.4
5	N44461137	HYDRAULIC HOSE	2	1.6
6	N44450478	HYDRAULIC HOSE	2	2.9
7	N02407170	STUD	1	0.148
8	706300790066	CONNECTOR	2	0.16
9	706300790009	ELBOW	8	0.15
10	706300790091	TEE	4	0.136
11	706300789000	ELBOW	4	0.1
12	N02118905	CLAMP, PIPE	4	.05
13	N02118994	COVERING PLATE	4	0.1
14	N01530119	BOLT, HEXAGONAL	7	0.030
15	704203927080	NUT, HEXAGONAL, TORQUE	7	0.011
16	N02118912	BODY, CLAMP	6	0.02
17	N02118998	COVERING PLATE	3	0.04
18	N02456150	HOSE BURST VALVE	4	0.02
19	MM0348841	PROTECTION SPIRAL	1	





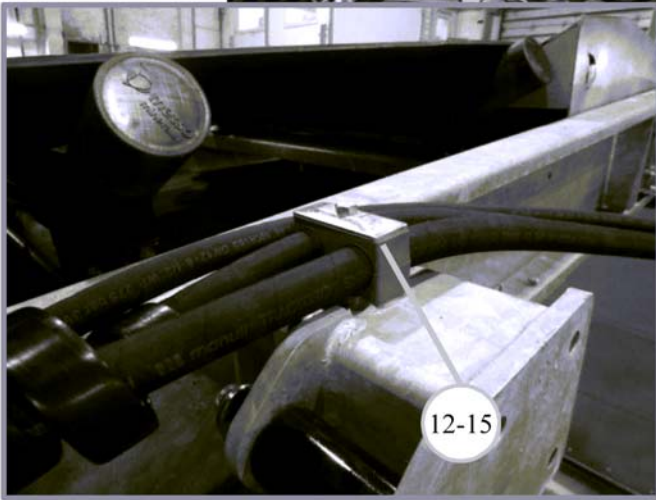
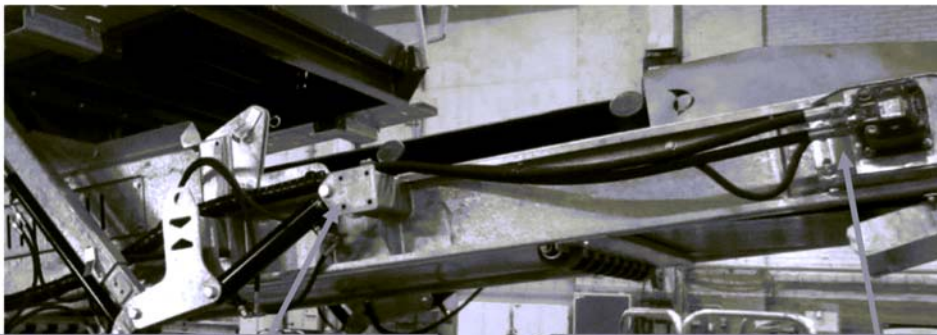
Add protection spiral to both sides through holes and to conveyor folding point





Lokotrack ST3.8 s/n 77916  
MM0588008\_1\_2 PIPING, HYDRAULIC

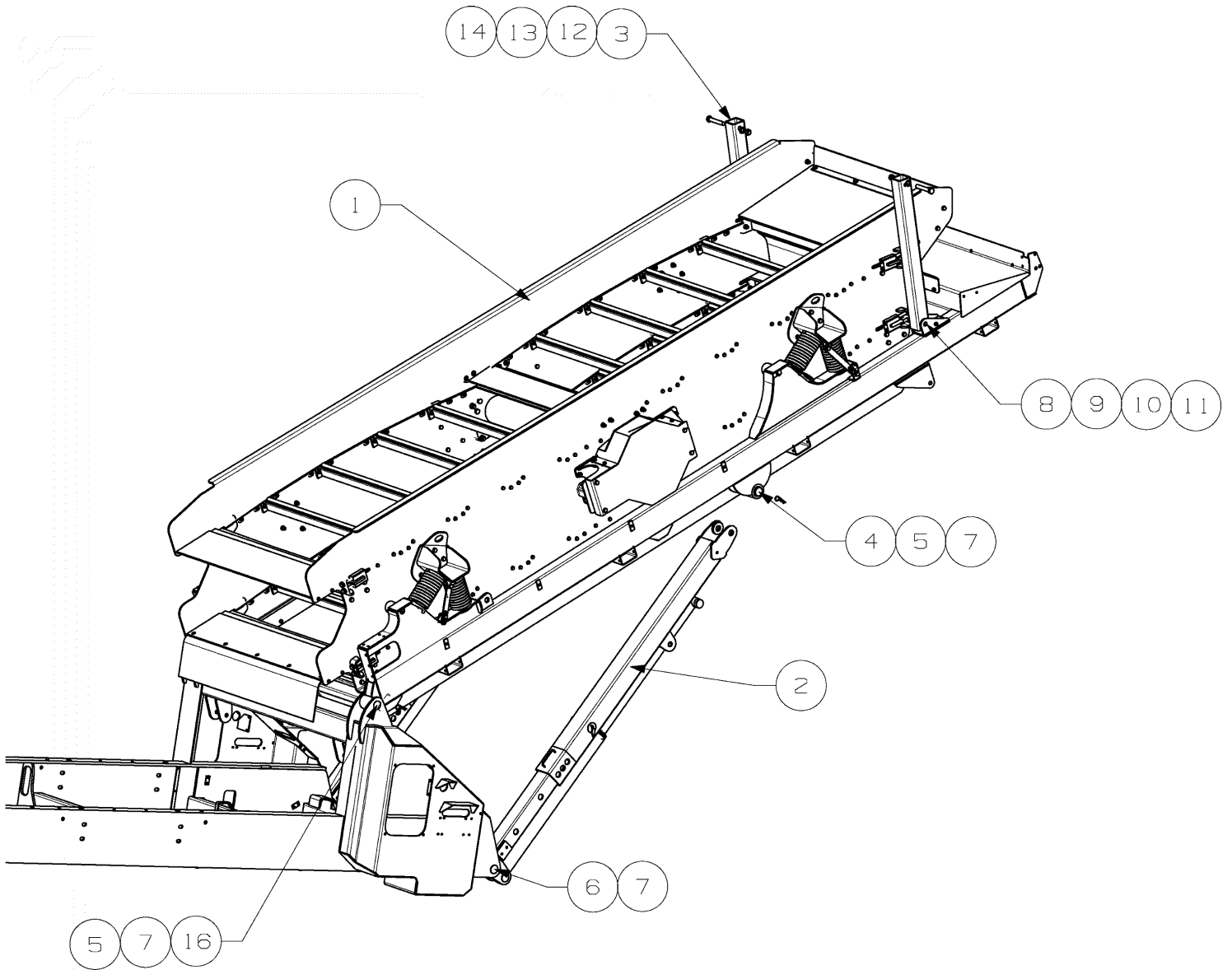
Pos.	Part No.	Description	Qty	Net Wght
1	MM0587602	HYDRAULIC HOSE	2	6.4
2	MM0539486	HYDRAULIC HOSE	1	3.91
3	MM0270507	HYDRAULIC HOSE	2	2.34
4	N44461051	HYDRAULIC HOSE	2	1.4
5	N44461137	HYDRAULIC HOSE	2	1.6
6	N44450478	HYDRAULIC HOSE	2	2.9
7	N02407170	STUD	1	0.148
8	706300790066	CONNECTOR	2	0.16
9	706300790009	ELBOW	8	0.15
10	706300790091	TEE	4	0.136
11	706300789000	ELBOW	4	0.1
12	N02118905	CLAMP, PIPE	4	.05
13	N02118994	COVERING PLATE	4	0.1
14	N01530119	BOLT, HEXAGONAL	7	0.030
15	704203927080	NUT, HEXAGONAL, TORQUE	7	0.011
16	N02118912	BODY, CLAMP	6	0.02
17	N02118998	COVERING PLATE	3	0.04
18	N02456150	HOSE BURST VALVE	4	0.02
19	MM0348841	PROTECTION SPIRAL	1	





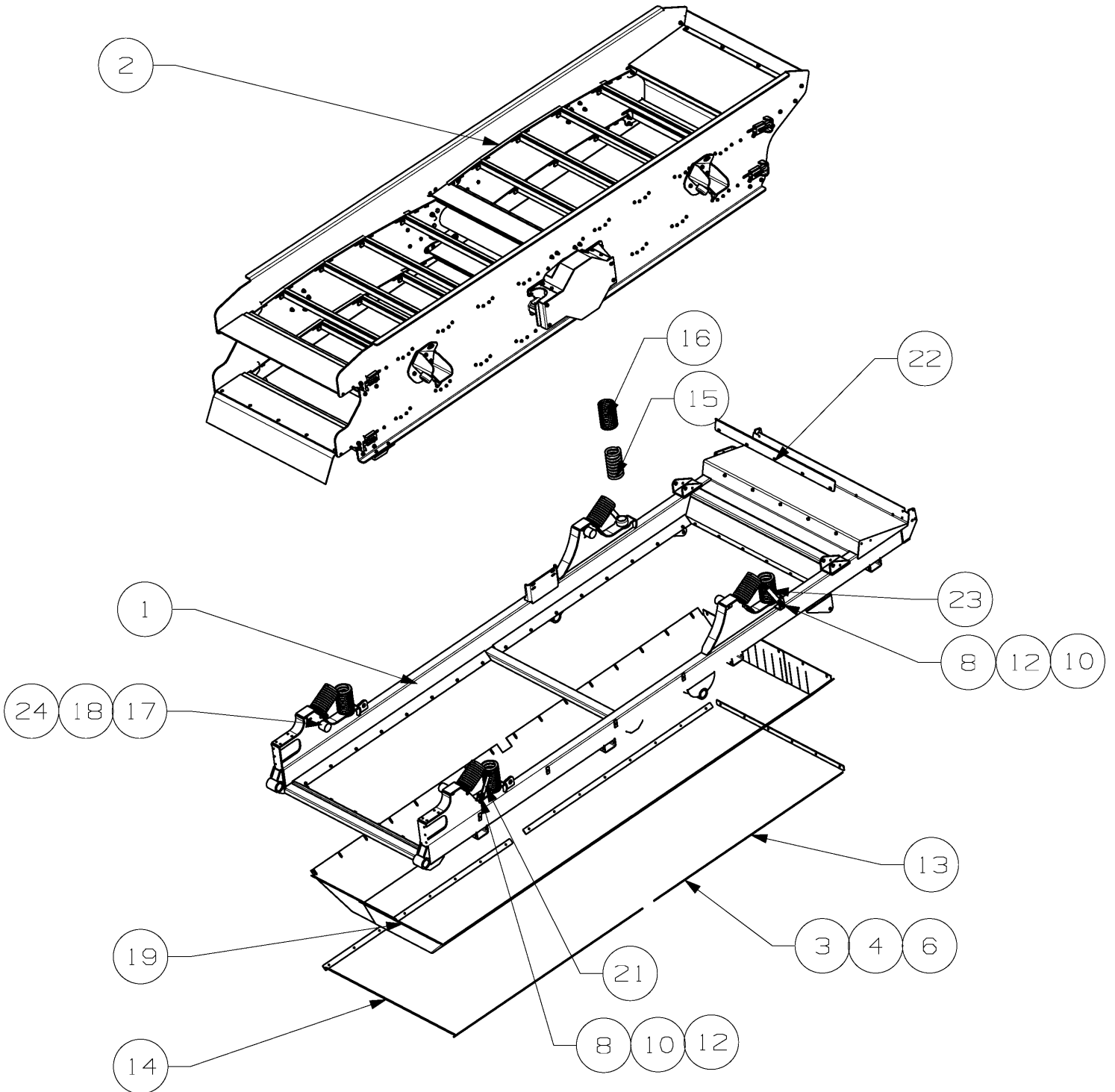
Lokotrack ST3.8 s/n 77916  
MM0588008\_1\_3 PIPING, HYDRAULIC

Pos.	Part No.	Description	Qty	Net Wght
1	MM0587602	HYDRAULIC HOSE	2	6.4
2	MM0539486	HYDRAULIC HOSE	1	3.91
3	MM0270507	HYDRAULIC HOSE	2	2.34
4	N44461051	HYDRAULIC HOSE	2	1.4
5	N44461137	HYDRAULIC HOSE	2	1.6
6	N44450478	HYDRAULIC HOSE	2	2.9
7	N02407170	STUD	1	0.148
8	706300790066	CONNECTOR	2	0.16
9	706300790009	ELBOW	8	0.15
10	706300790091	TEE	4	0.136
11	706300789000	ELBOW	4	0.1
12	N02118905	CLAMP, PIPE	4	.05
13	N02118994	COVERING PLATE	4	0.1
14	N01530119	BOLT, HEXAGONAL	7	0.030
15	704203927080	NUT, HEXAGONAL, TORQUE	7	0.011
16	N02118912	BODY, CLAMP	6	0.02
17	N02118998	COVERING PLATE	3	0.04
18	N02456150	HOSE BURST VALVE	4	0.02
19	MM0348841	PROTECTION SPIRAL	1	



Pos.	Part No.	Description	Qty	Net Wght	Page
1	MM0570927	SCREEN ASSEMBLY	1	4069	25
2	MM0577797	SUPPORT ASSEMBLY	2	164.05	29
3	M11616	TUBE SUPPORT	2		
4	M04848-134	PIN	2	1.5	
5	N04205042	BUFFER, RUBBER	4	0.5	
6	M04848-135	PIN	2		
7	706303524110	PIN, SPRING	6	0.035	
8	MM0224743	PIN	2	1	
9	N01530197	BOLT, HEXAGONAL	2	0.05	
10	7001570012	NUT, HEXAGONAL, TORQUE	2	0.010	
11	704006970000	WASHER, PLAIN	4	0.005	
12	N01530540	BOLT, HEXAGONAL	2	0.630	
13	N01565003	NUT, HEXAGONAL	2	0.094	
14	704007190000	WASHER, PLAIN	4	0.030	
16	M04848-131	PIN	2	2.0	







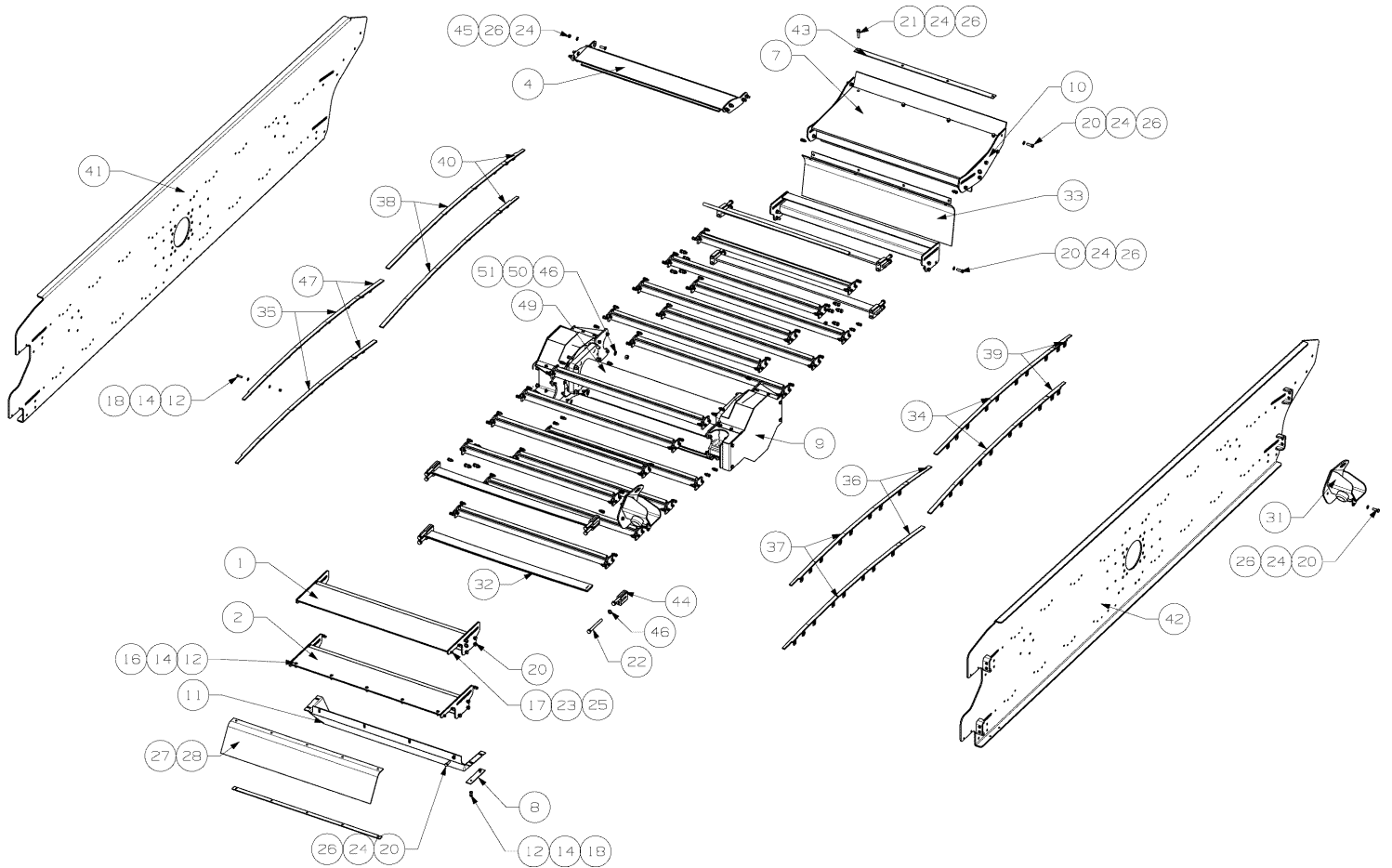
Lokotrack ST3.8 s/n 77916  
MM0570927\_2 SCREEN ASSEMBLY

Pos.	Part No.	Description	Qty	Net Wght	Page
1	MM0575673	SUB-FRAME	1	1035.82	
2	MM0570934	SCREEN	1	2664	26
3	704203927120	NUT, HEXAGONAL, TORQUE	6	0.010	
4	704006970000	WASHER, PLAIN	98	0.005	
6	N01530197	BOLT, HEXAGONAL	49	0.05	
8	N01530313	BOLT, HEXAGONAL	8	.102	
10	704203927160	NUT, HEXAGONAL, TORQUE	8	0.035	
12	N01626516	WASHER, PLAIN	16	0.012	
13	M11528	CLAMP	4		
14	M09863	CLAMP	2	3.72	
15	M02076-01	SPRING	8	7.7	
16	M10015	GUARD	8	0.2	
17	MM0342356	DAMPER, CYLINDER	4	.4	
18	804203927140	NUT, HEXAGONAL, TORQUE	4	0.030	
19	MM0546717	PLATE, RUBBER	2	13.41	
21	M09671	HOLDING DEVICE	2	0.54	
22	MM0234594	PLATE	1	7	
23	MM0270436	PLATE	2	0.94	
24	704007040000	WASHER, PLAIN	4	0.011	





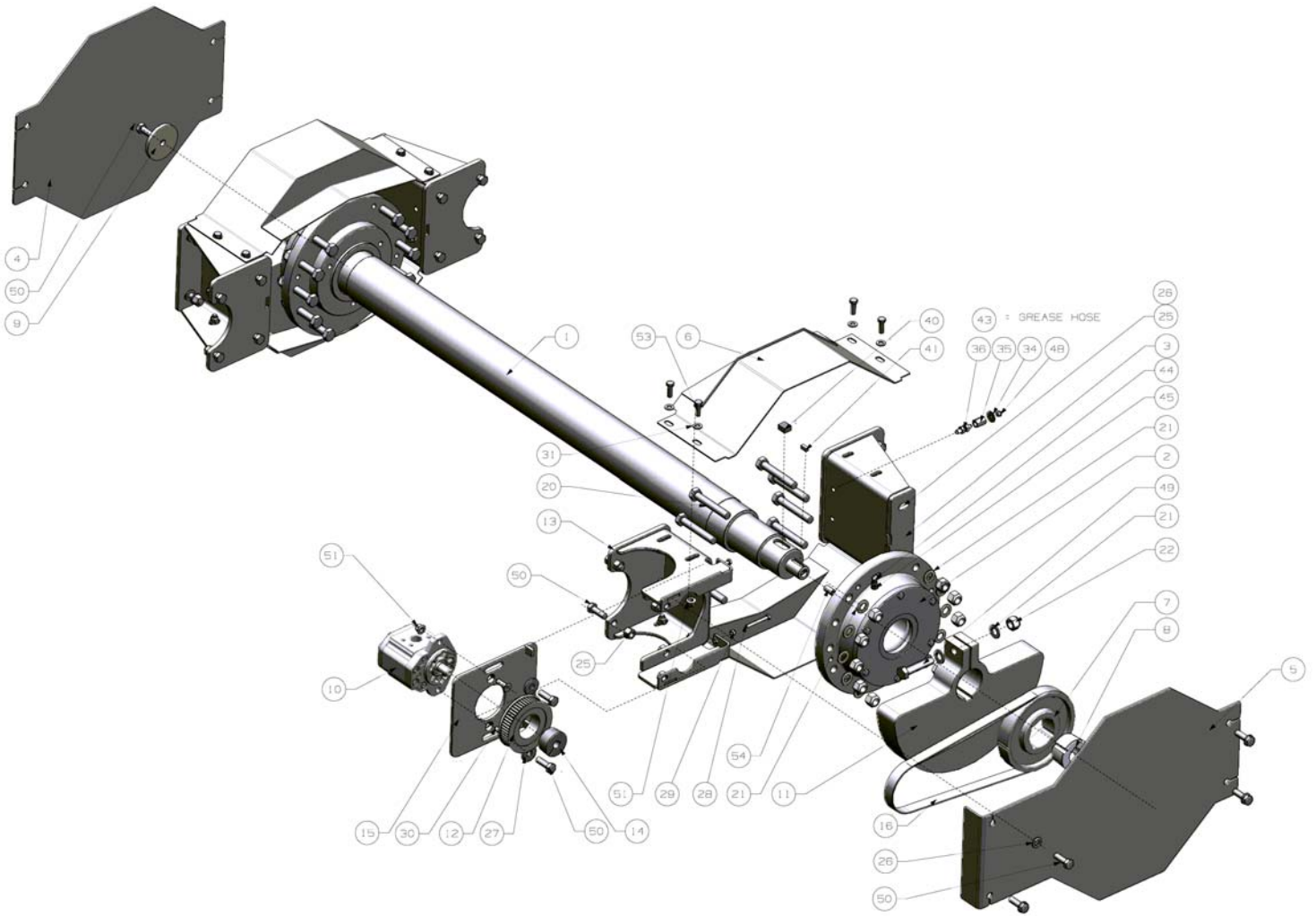
Pos.	Part No.	Description	Qty	Net Wght	Page
01	M09213	ASSEMBLY	1	104.2	
02	M09816	ASSEMBLY	1	111	
03	M09233	ASSEMBLY	1	67.3	
04	MM0222686	SUPPORT ASSEMBLY	2	77	
07	M04857-01	PLATE, RUBBER	1	19.9	
7	N01626520	WASHER, PLAIN	16	0.017	
08	M10071	CLAMP	2	.46	
09	MM1026301	VIBRATING MACHINERY ASSEMBLY	1	686.56	27
10	M09228	FEED PLATE	1	162.3	
11	M10070	RUBBER SKIRT	1	3.2	
12	7001570012	NUT, HEXAGONAL, TORQUE	153	0.010	
14	704006970000	WASHER, PLAIN	301	0.005	
16	N01551109	SCREW, HEXAGON SOCKET, COUNTERSUNK HEAD	5	0.040	
17	N01530143	BOLT, HEXAGONAL	8	0.04	
18	N01530199	BOLT, HEXAGONAL	88	0.05	
19	N01530201	BOLT, HEXAGONAL	60	0.053	
20	N01530313	BOLT, HEXAGONAL	56	.102	
21	N01530321	BOLT, HEXAGONAL	4	0.139	
22	N01532454	SCREW, HEXAGONAL	16	0.500	
23	N01570210	NUT, HEXAGONAL, TORQUE	8	0.013	
24	N01570216	NUT, HEXAGONAL, THIN	88	0.02	
25	N01626510	WASHER, PLAIN	16	0.1	
26	N01626516	WASHER, PLAIN	160	0.012	
27	MM0269222	PLATE	1	2.29	
28	M10012	RUBBER	1	3.9	
29	M02025-01	SUPPORT ASSEMBLY	16	12.9	
30	M02027-01	SUPPORT, RUBBER	16	0.6	
31	M09224	BRACKET INSTALLATION	4	19.73	
32	MM0242482	PLATE	8	19.29	
33	M09235	RUBBER LINER	1	3.9	
34	M11510	SEAL STRIP	2	2.2	
35	M11511	SEAL STRIP	2	2.76	
36	M09243	SEAL STRIP	2	0.522	
37	M11512	SEAL STRIP	2	3	
38	M11509	SEAL STRIP	2	3.2	
39	M09359	SEAL STRIP	2	0.454	
40	M09242	SEAL STRIP	2	0.907	
41	MM0571601	SIDE PLATE	1	490.11	
42	MM0571565	SIDE PLATE	1	490.11	
43	M04867-01	CLAMP	3	2.68	
44	M06689-1	TENSIONER	8	1.94	
		CONTINUES ON THE NEXT PAGE			26-2



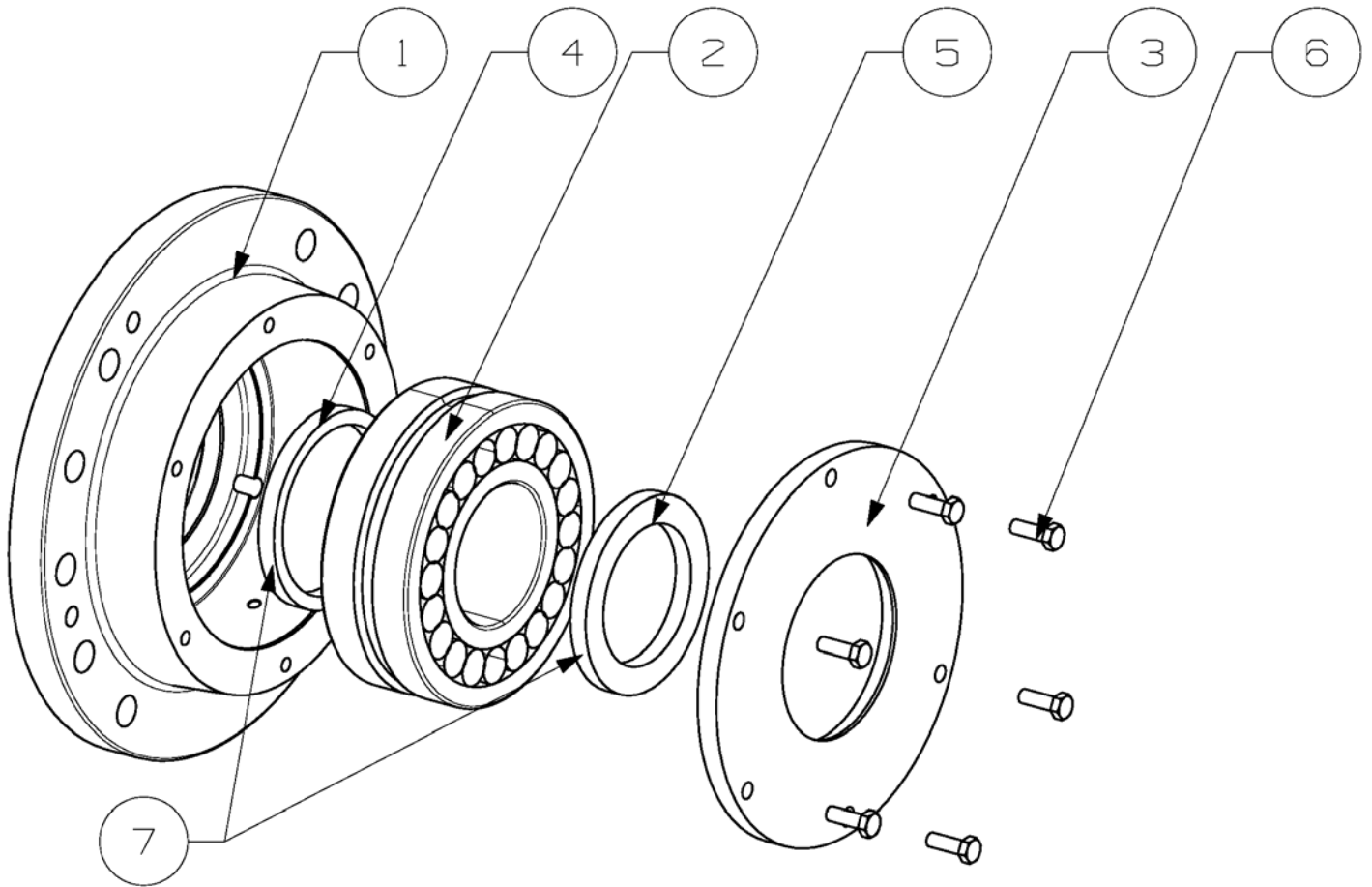


Lokotrack ST3.8 s/n 77916  
MM0570934\_1\_2 SCREEN

Pos.	Part No.	Description	Qty	Net Wght	Page
		STARTED ON THE PREVIOUS PAGE			26
45	704501392100	SCREW, HEXAGON SOCKET, COUNTERSUNK HEAD	16	0.080	
46	N01626520	WASHER, PLAIN	16	0.017	
47	MM0261969	SEAL STRIP	2	0.59	
49	MM0519658	MIDDLE BEAM	1	126.23	
50	N01530423	BOLT, HEXAGONAL	8	0.280	
51	N01570220	NUT, JAM, HEXAGONAL	8	0.06	

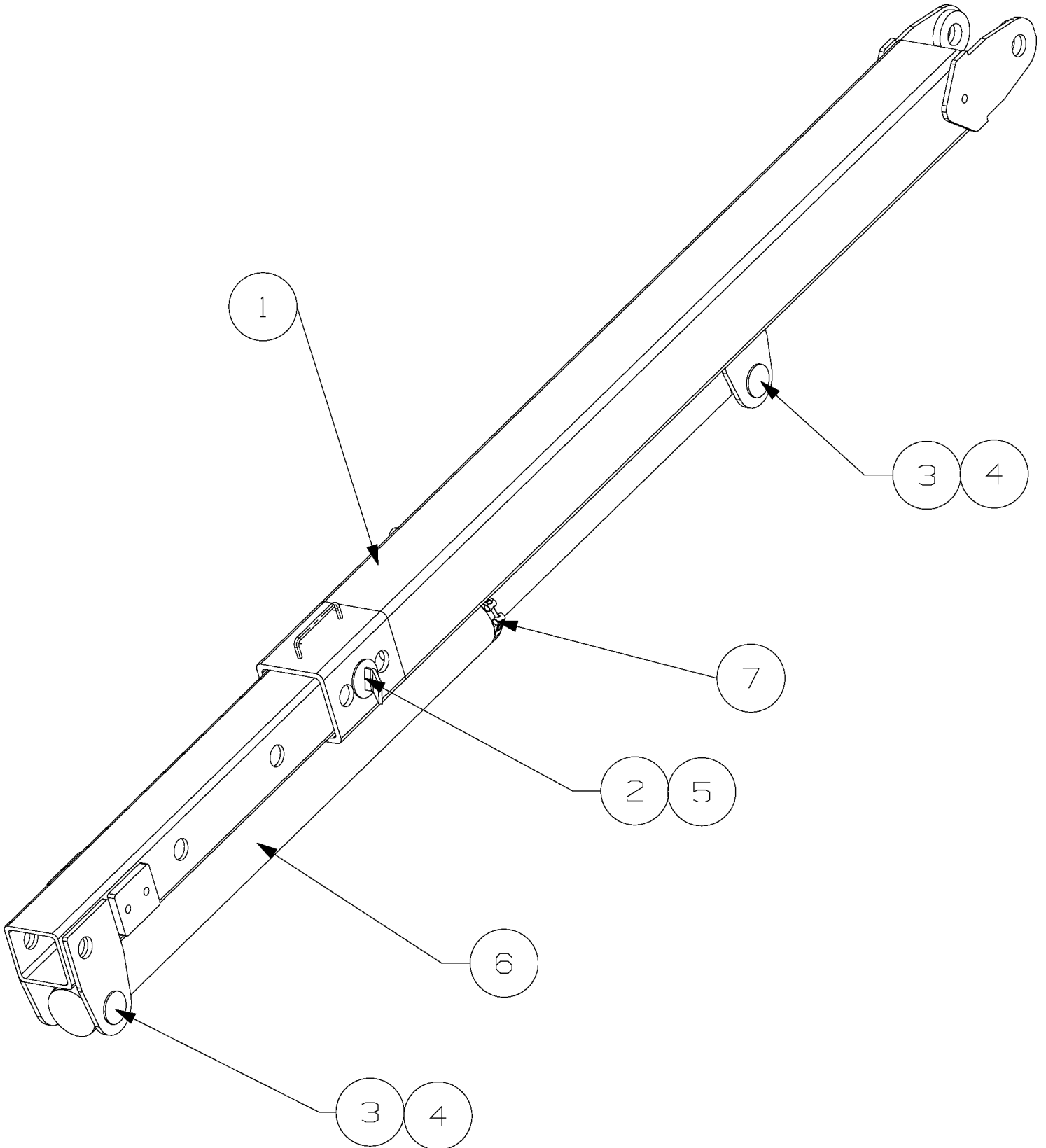


Pos.	Part No.	Description	Qty	Net Wght	Page
01	MM0569646	SHAFT	1	168	
02	MM0319263	BEARING UNIT	2	61.78	28
03	MM1026335	SUPPORT	3	12.9	
04	MM0570804	PLATE	1	12	
05	MM1024451	PLATE	1	57.41	
06	MM1026401	COVER	4	5	
07	MM0398435	SPROCKET PULLEY	1	7.624	
08	MM0319513	BUSHING, TAPER	1	1.4	
09	M10792	HOLDER	1	.6	
10	MM0336335	MOTOR, HYDRAULIC	1	6.56	
11	MM0569426	COUNTERWEIGHT	2	56	
12	MM0335681	PULLEY, TIMING BELT	1	3.12	
13	MM1026319	SUPPORT BRACKET	1	13.53	
14	MM0319514	BUSHING, TAPER	1	.75	
15	MM1035749	TENSIONER PIECE	1	3.64	
16	MM0398439	BELT, TIMING	1	.234	
20	N01530431	BOLT, HEXAGONAL	20	0.350	
21	N01626520	WASHER, PLAIN	24	0.017	
22	7001570020	NUT, HEXAGONAL, TORQUE	23	0.100	
25	704203927160	NUT, HEXAGONAL, TORQUE	22	0.035	
26	704007040000	WASHER, PLAIN	14	0.011	
27	N01621202	WASHER	2	0.0643	
28	7001530118	SCREW, HEXAGONAL	2	0.027	
29	704203927080	NUT, HEXAGONAL, TORQUE	2	0.011	
30	704501390200	SCREW, HEXAGON SOCKET, COUNTERSUNK HEAD	2	0.040	
31	704006970000	WASHER, PLAIN	16	0.005	
34	N02125891	WIRE MARKER	2	.001	
35	MM0310096	ADAPTER, MEASURE	2	0.042	
36	706300790567	UNION	2	0.041	
40	M02074-02	KEY	2	0.1	
41	MM0322622	PARALLEL KEY	1	.01	
43	N44460465	HYDRAULIC HOSE	2		
44	706300790056	CONNECTOR	2	0.02	
45	706300788991	ELBOW	2	0.037	
48	704501672010	GREASE NIPPLE	2	0.01	
49	N01530423	BOLT, HEXAGONAL	2	0.280	
50	7001530309	SCREW, HEXAGONAL	27	0.094	
51	MM0317489	NUT, HEXAGONAL, FLANGED	18	0.022	
53	7001530196	SCREW, HEXAGONAL	16	0.044	
54	N01548096	SCREW, SET, HEXAGON SOCKET, FLAT POINT	1	0.034	



Pos.	Part No.	Description	Qty	Net Wght
1	M02014-01	BEARING HOUSING	1	35
2	M02015-01	BEARING COVER	1	12
3	N03714203	ROLLER BEARING	1	13.5
4	N02703952	SEAL	1	0.1
5	N02701924	SHAFT SEAL	1	0.12
6	N01530138	SCREW, HEXAGONAL	6	0.030
7	MM0311792	GLUE	1	

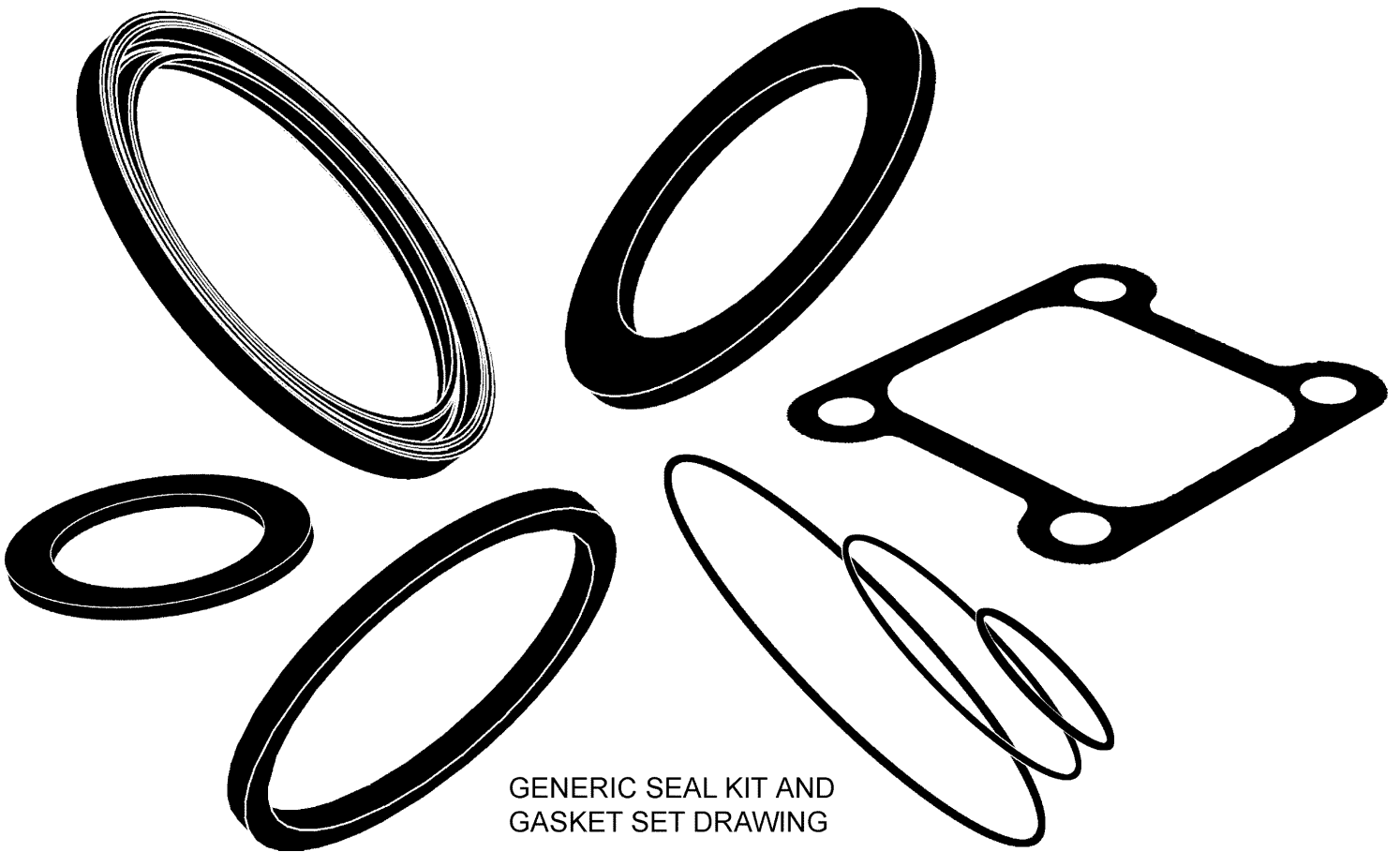






Lokotrack ST3.8 s/n 77916  
MM0577797\_1 SUPPORT ASSEMBLY

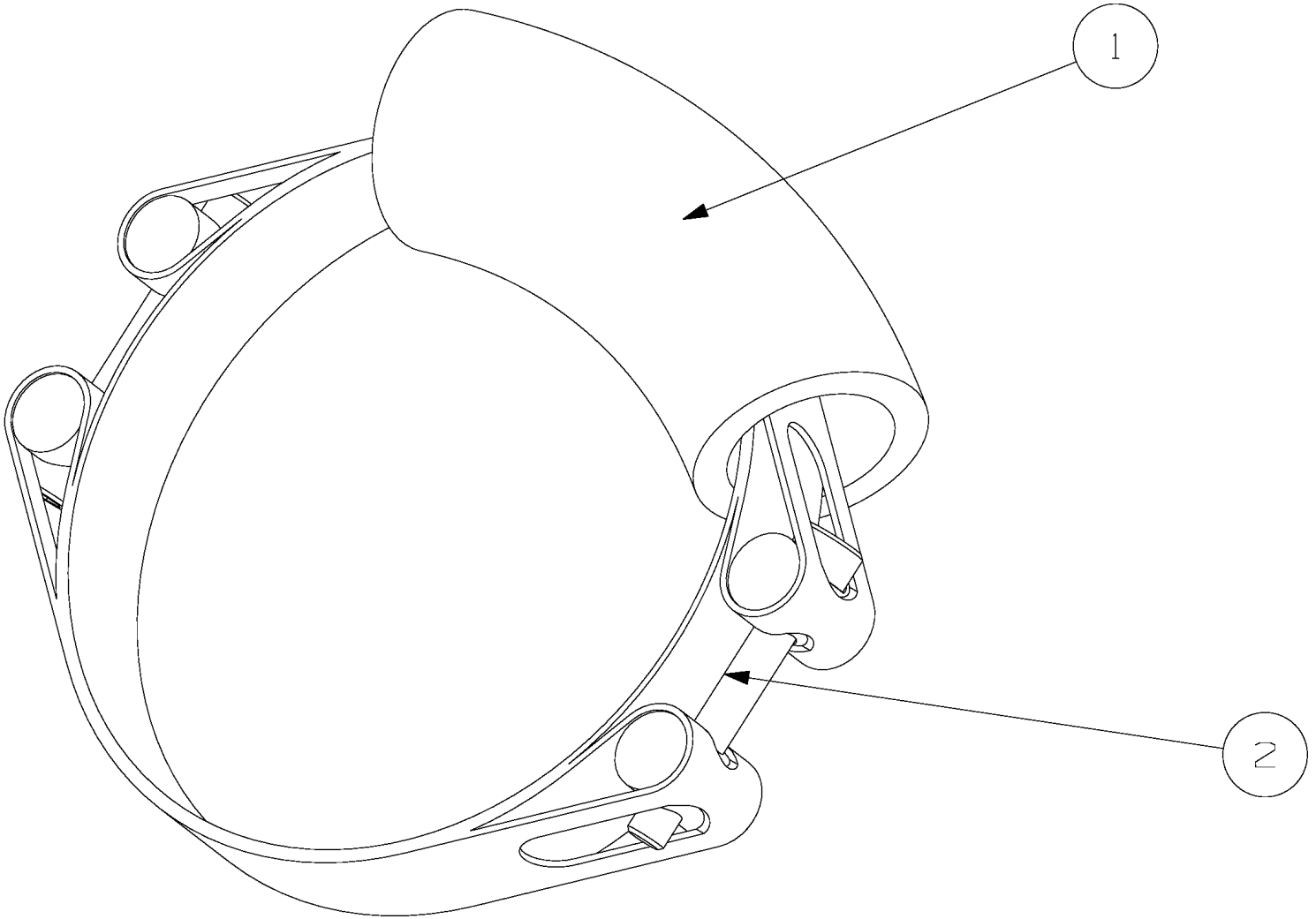
Pos.	Part No.	Description	Qty	Net Wght	Page
1	MM0550837	SUPPORT ASSEMBLY	1	161.0007	
2	M04849-132	PIN	1	2.268	
3	M04848-90	PIN	2	1.1	
4	N01616900	PIN, SPRING	2	.01	
5	706303524110	PIN, SPRING	1	0.035	
6	MM0237488	CYLINDER, HYDRAULIC	1	45.4	30
7	MM0583822	VIBRATION DAMPER	1	.25	31





Lokotrack ST3.8 s/n 77916  
MM0237488\_0 CYLINDER, HYDRAULIC

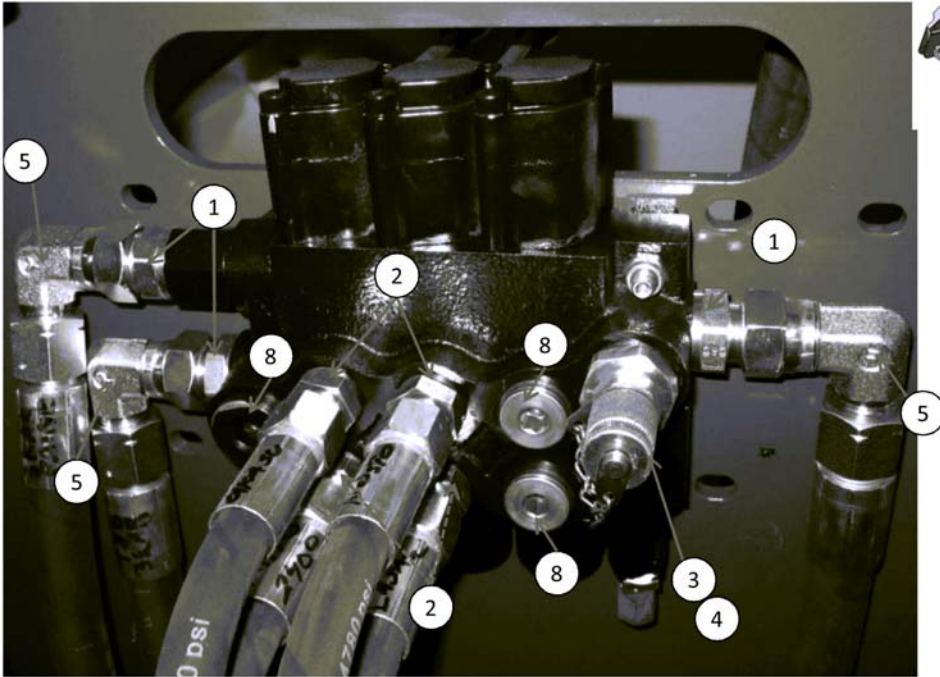
Pos.	Part No.	Description	Qty	Net Wght
0	MM0237881	SEAL KIT	1	0.01

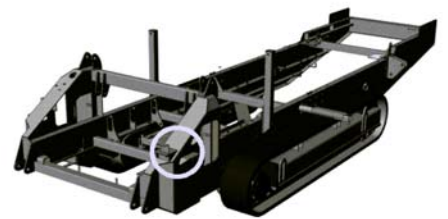
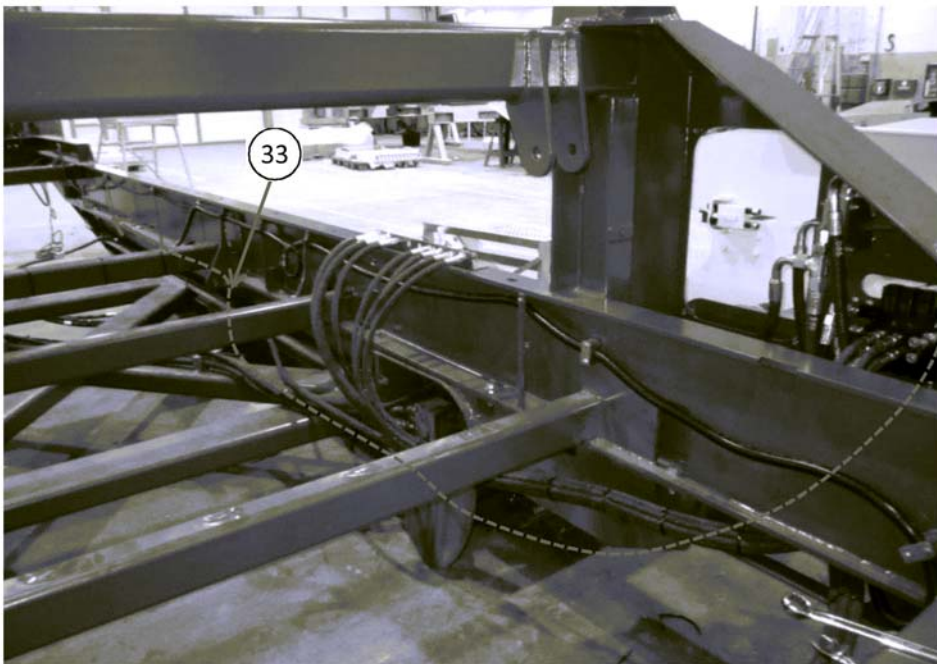




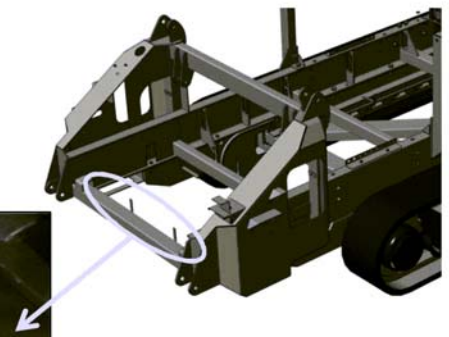
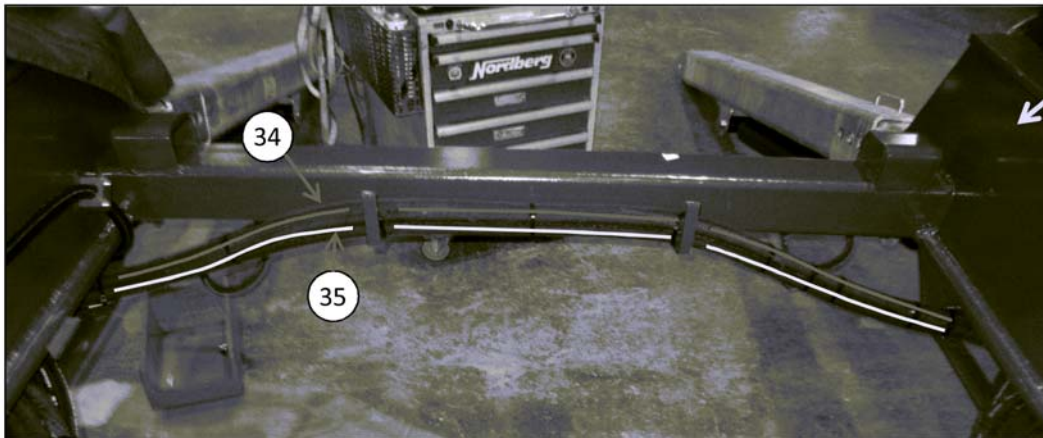
Lokotrack ST3.8 s/n 77916  
MM0583822\_0 VIBRATION DAMPER

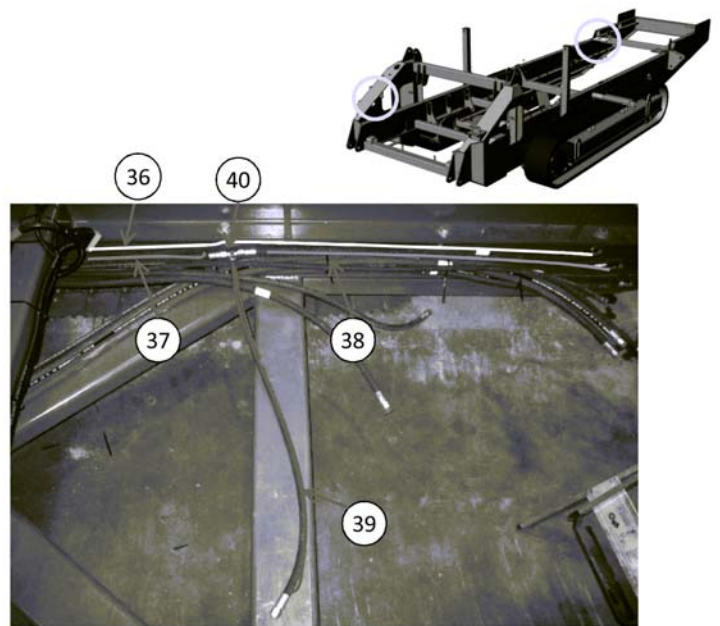
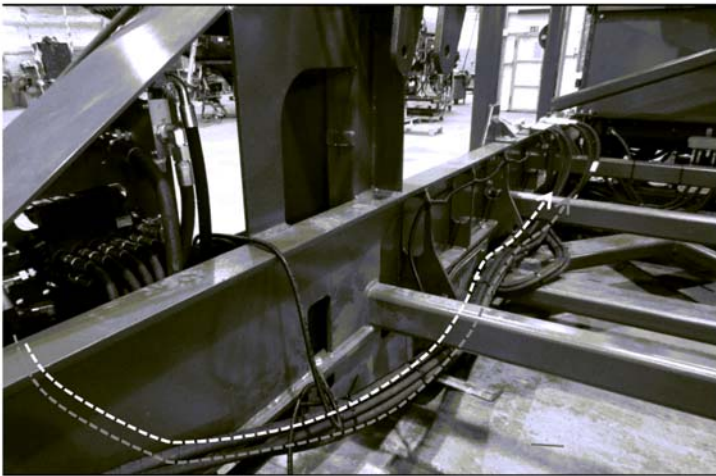
Pos.	Part No.	Description	Qty	Net Wght
1	MM0583823	HOSE	1	.04
2	706300787930	HOSE TIGHTENER	1	0.2

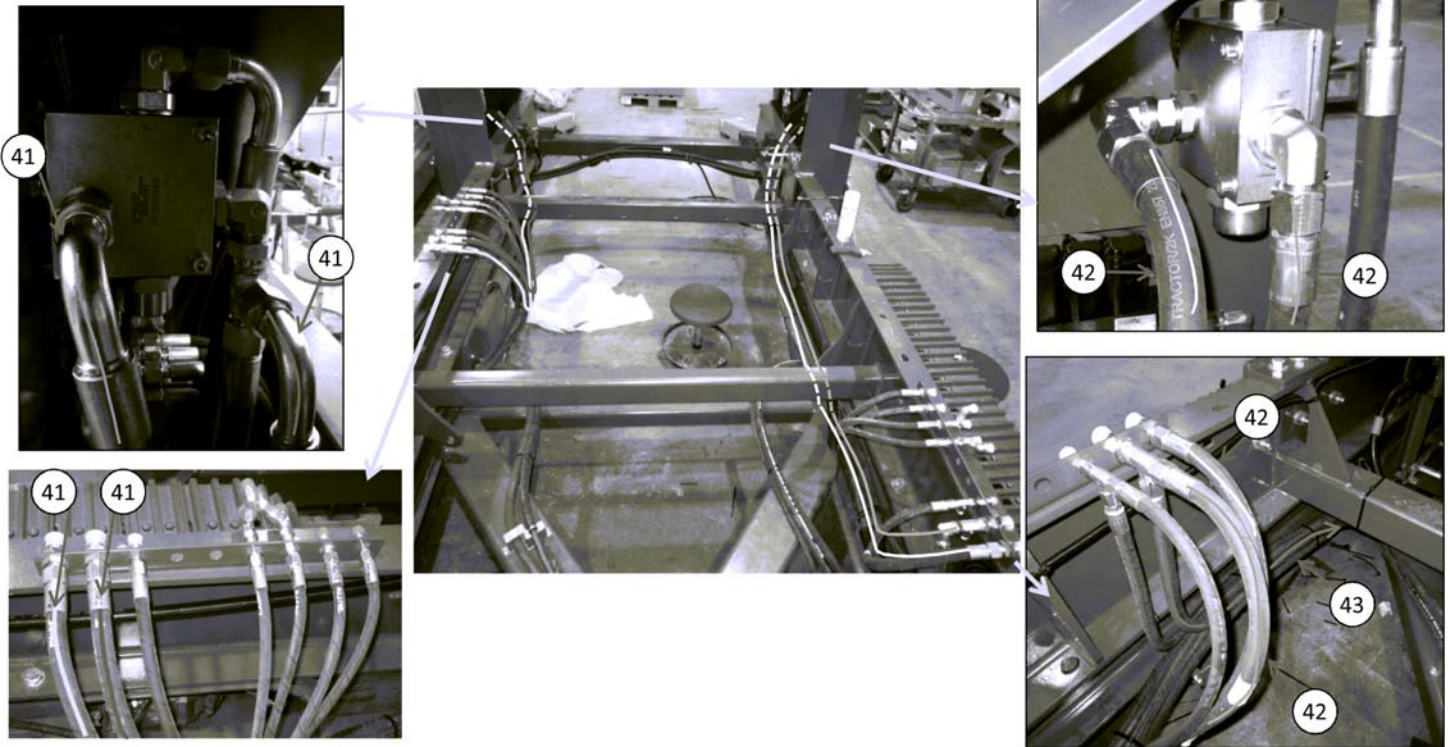




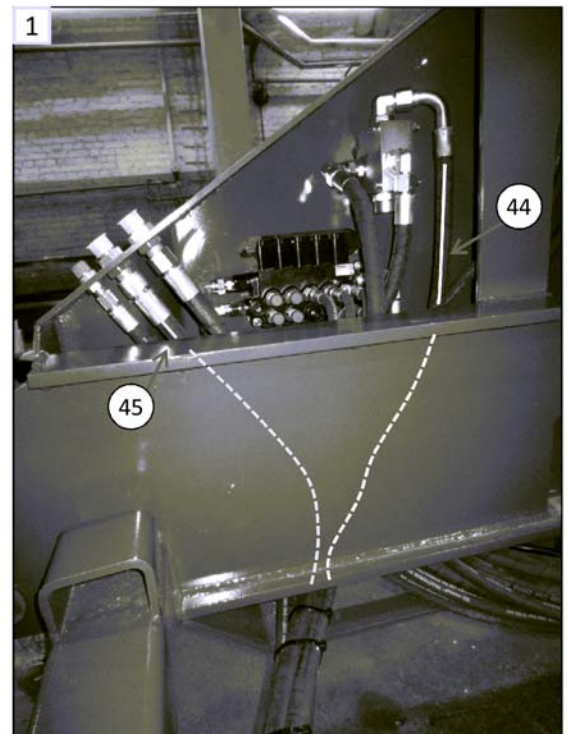
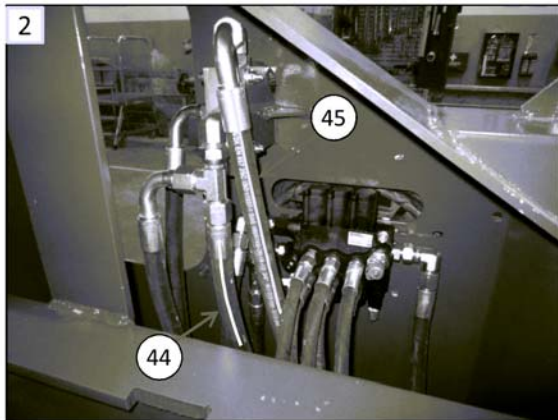


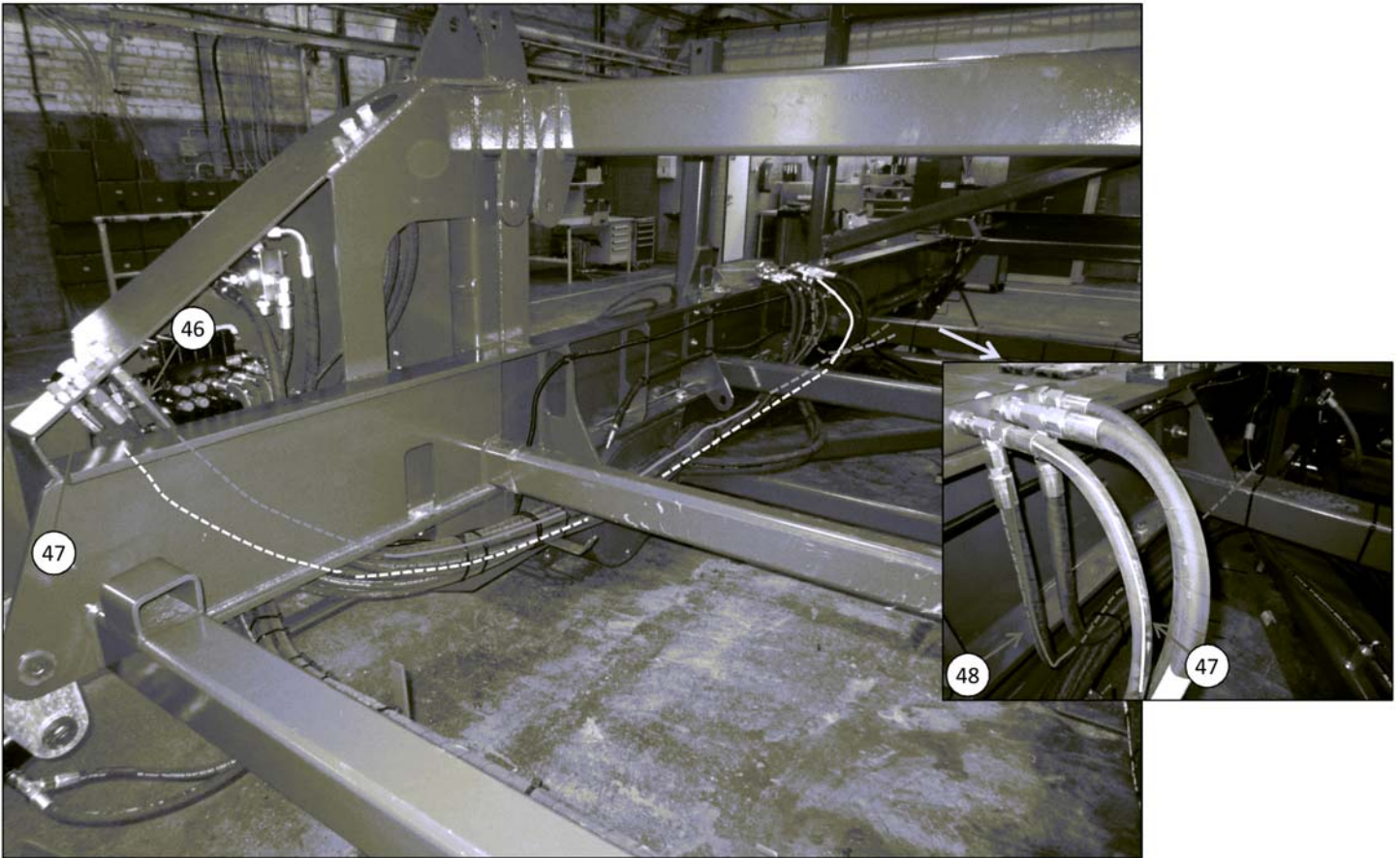




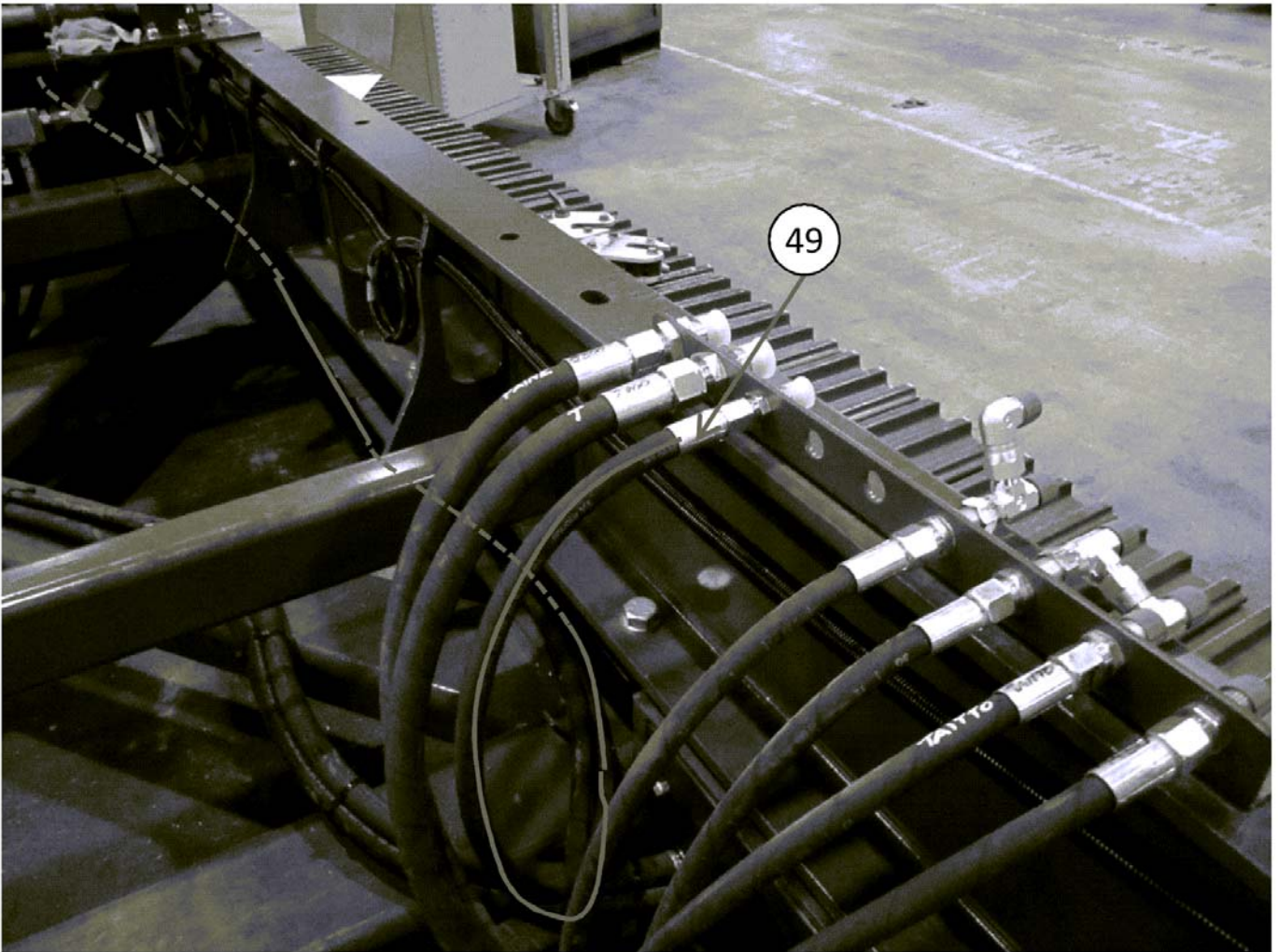


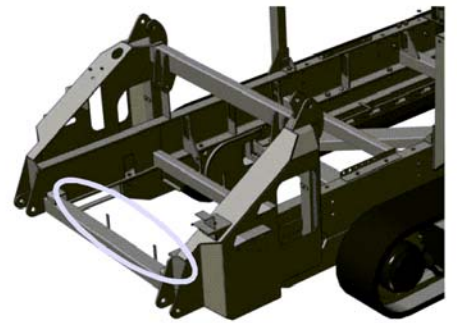
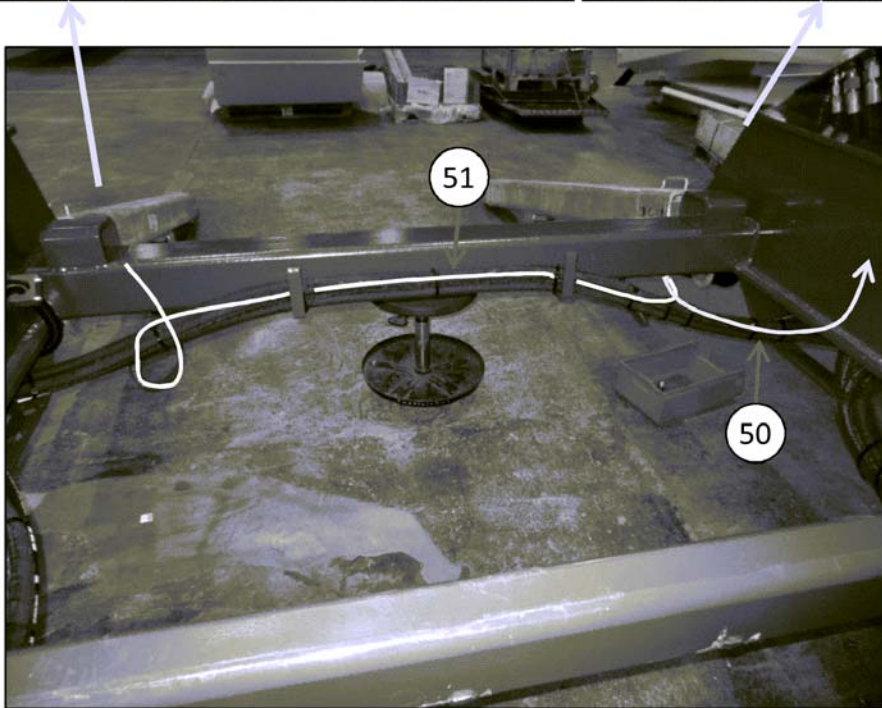
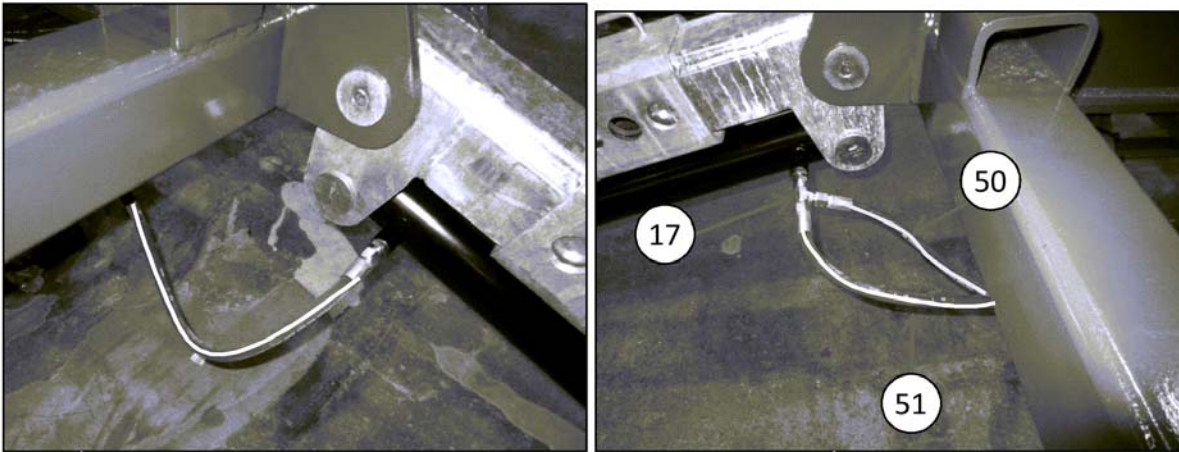




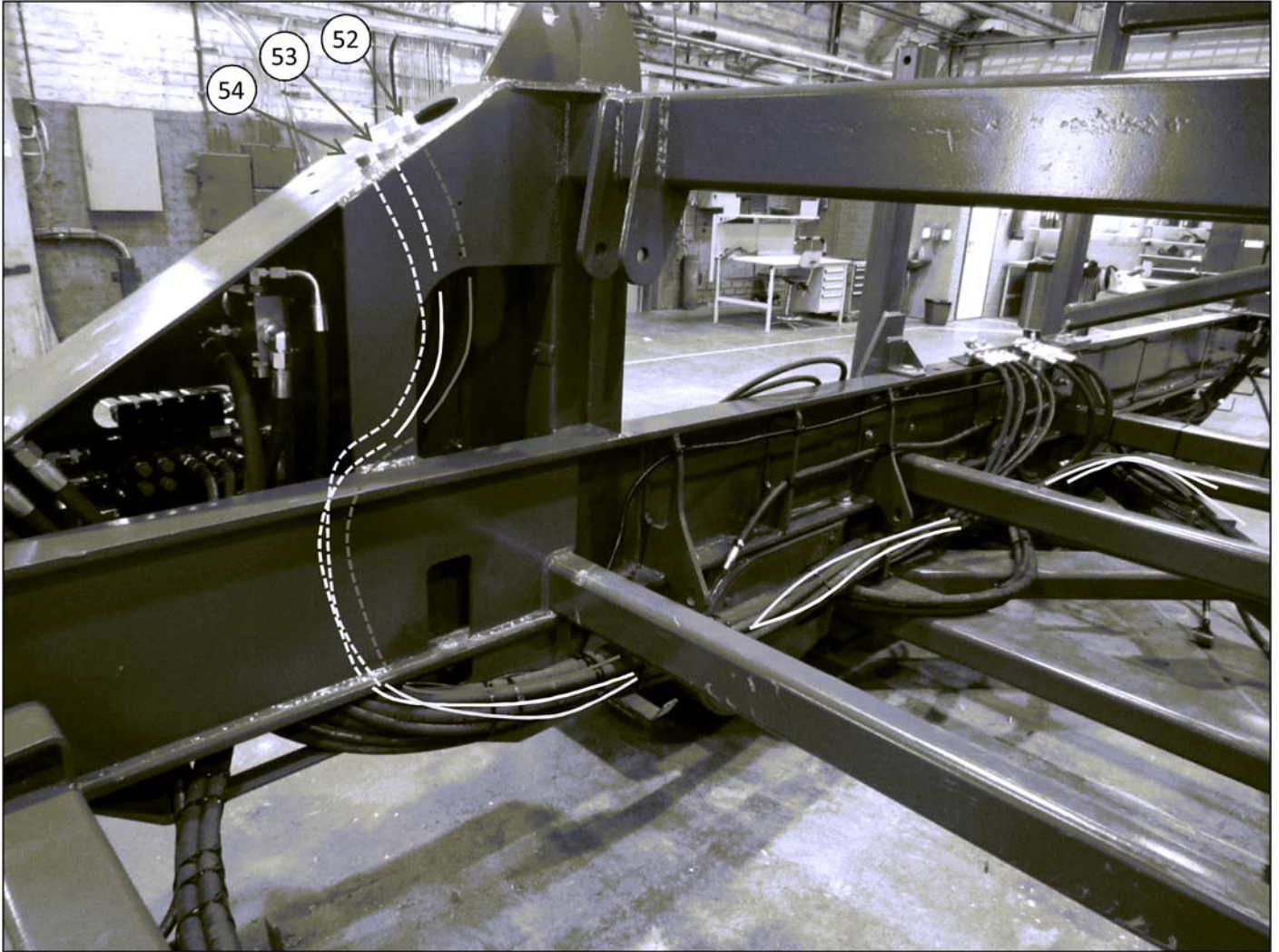




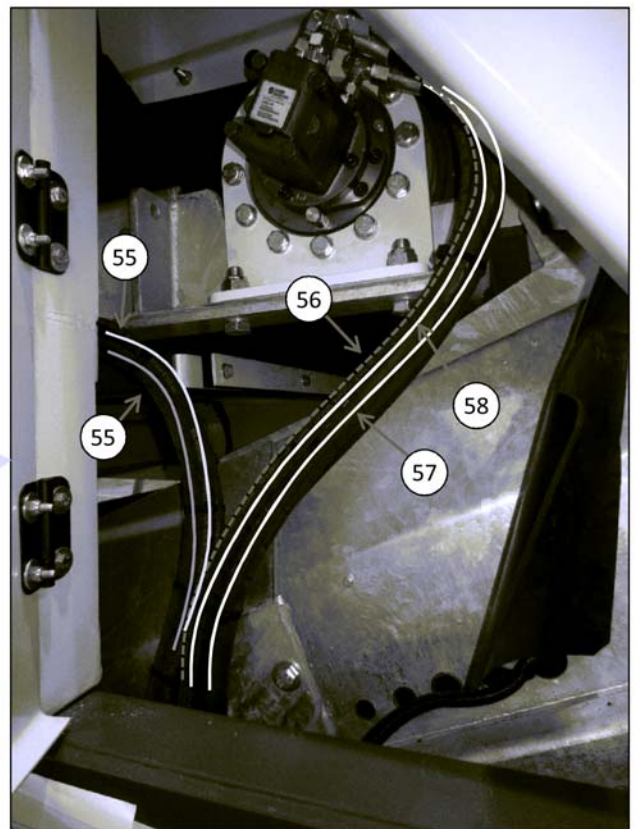
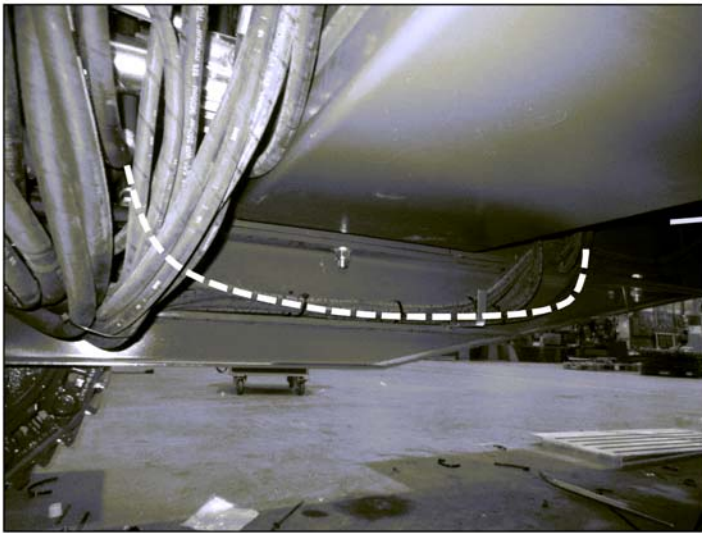
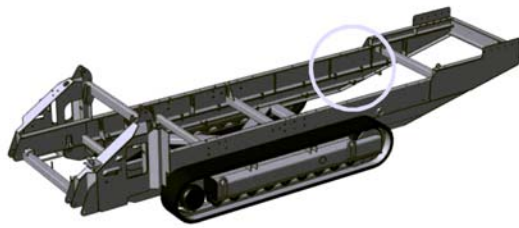




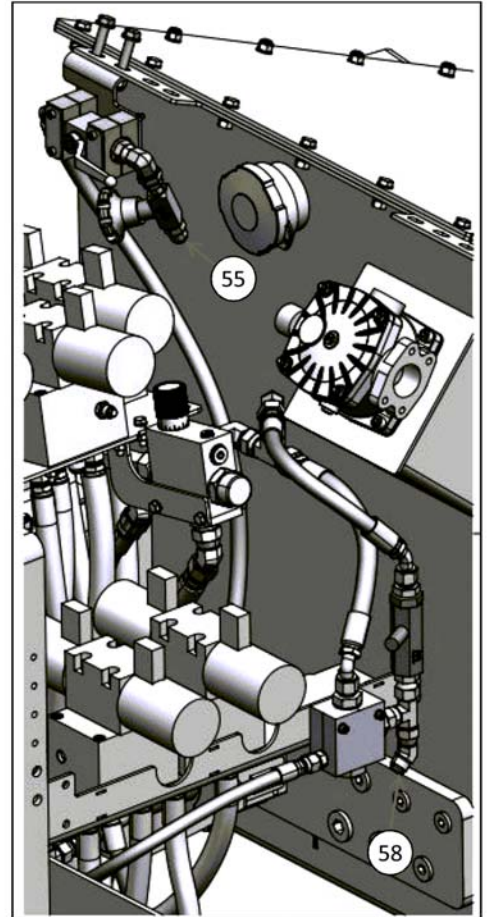
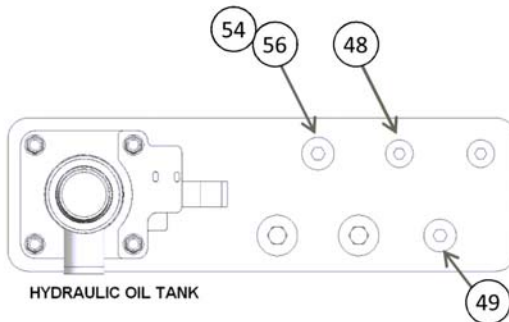
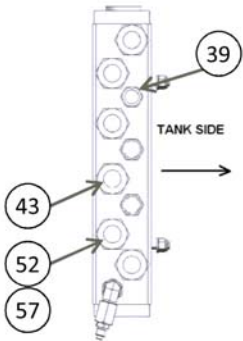
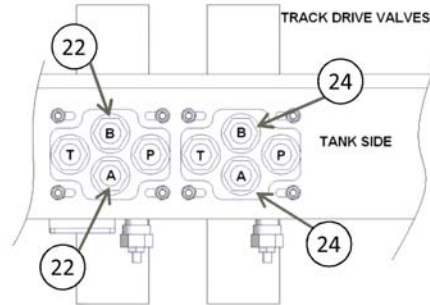
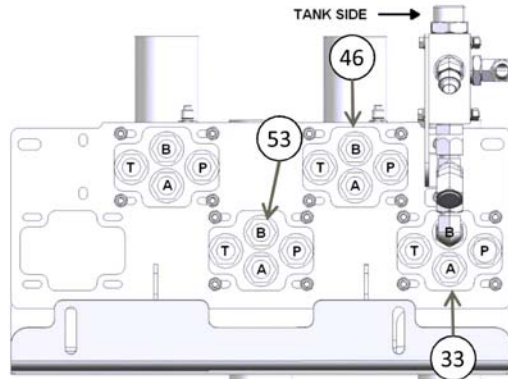
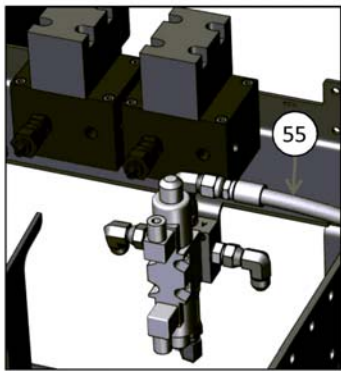


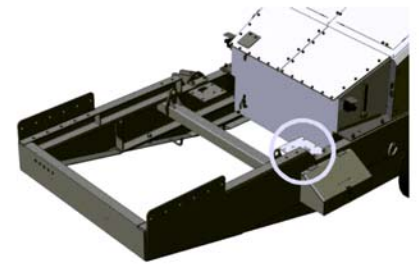
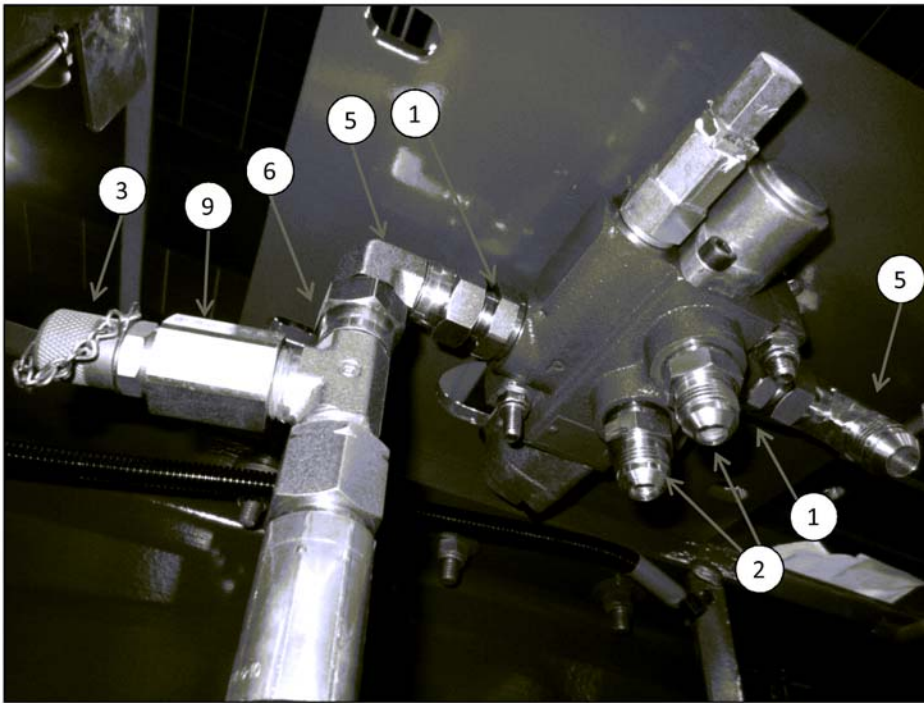




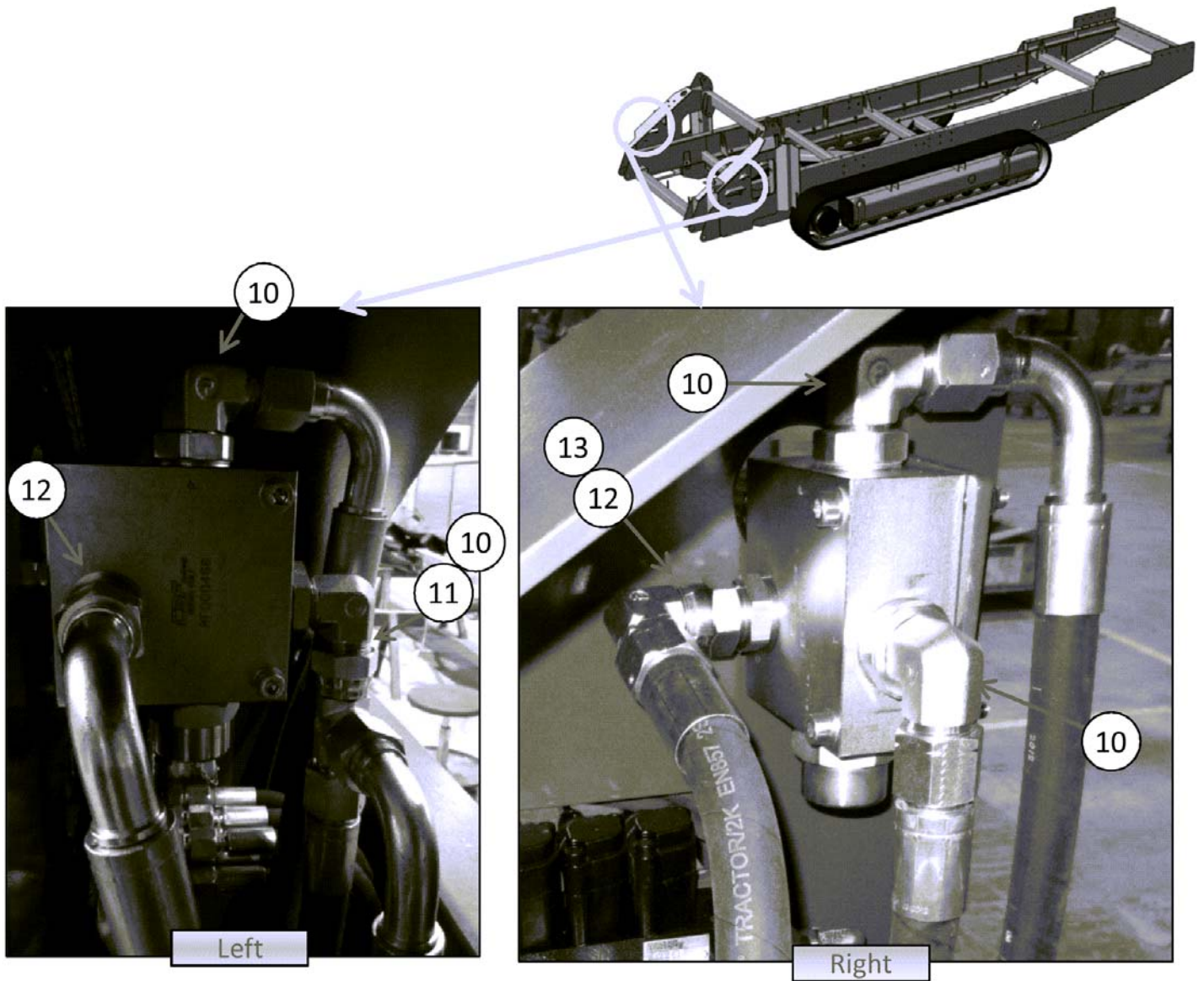


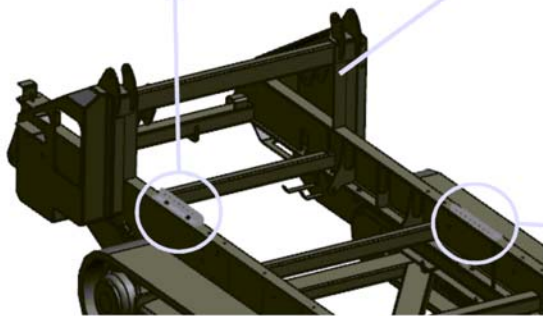
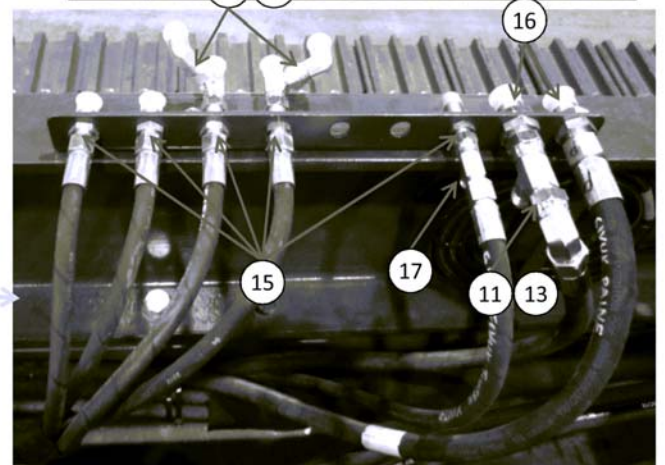
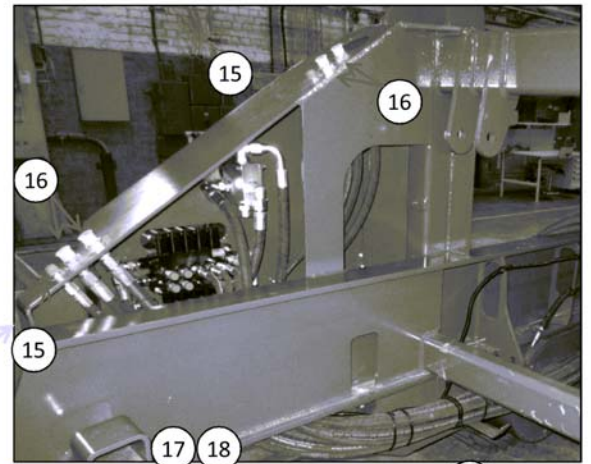
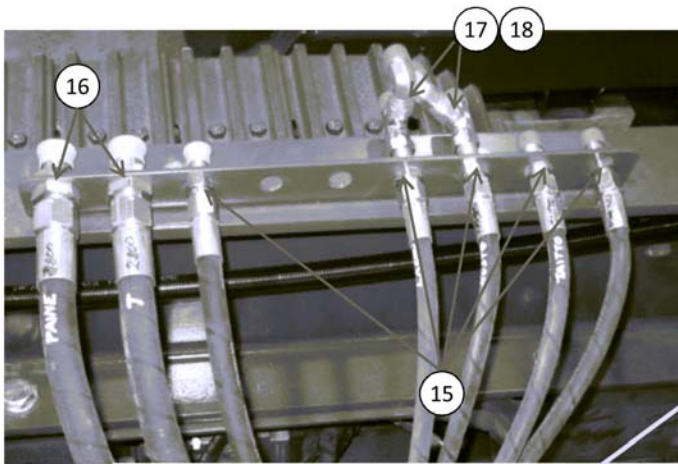


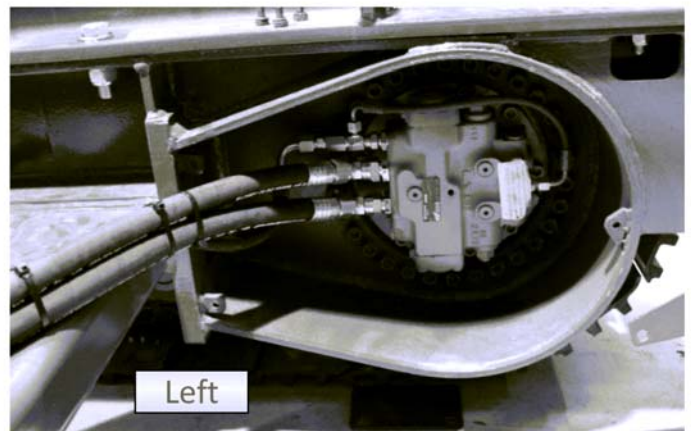
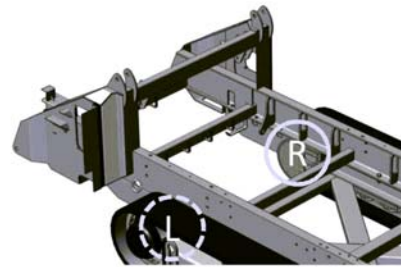
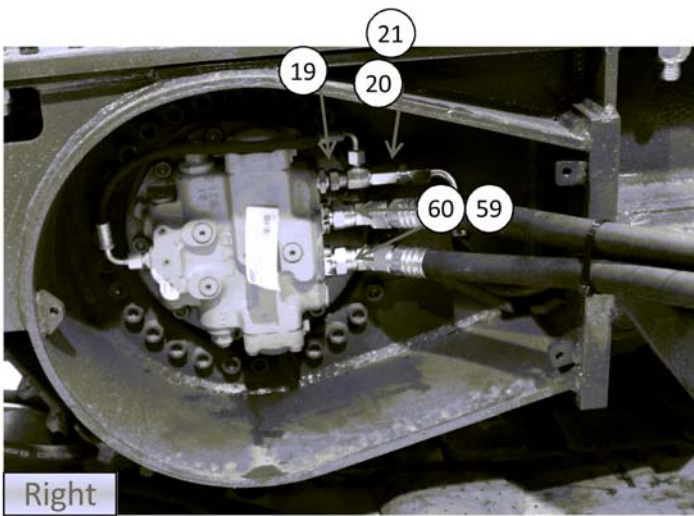




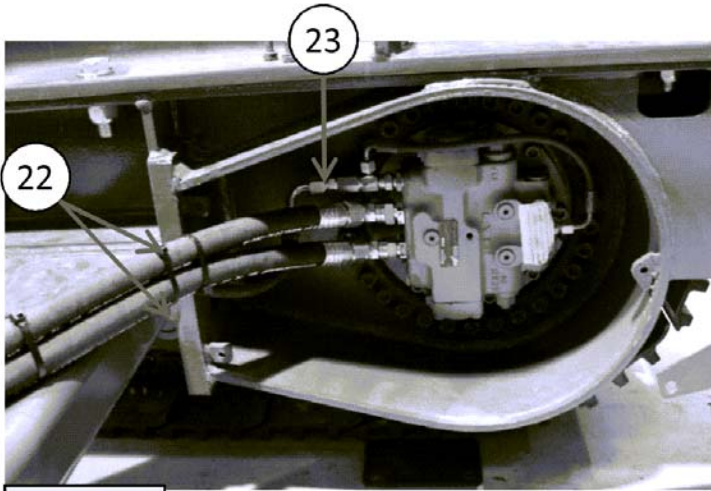




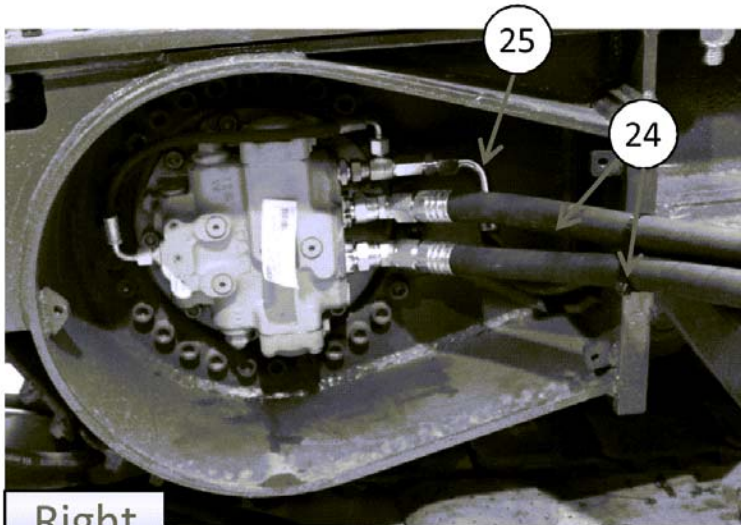
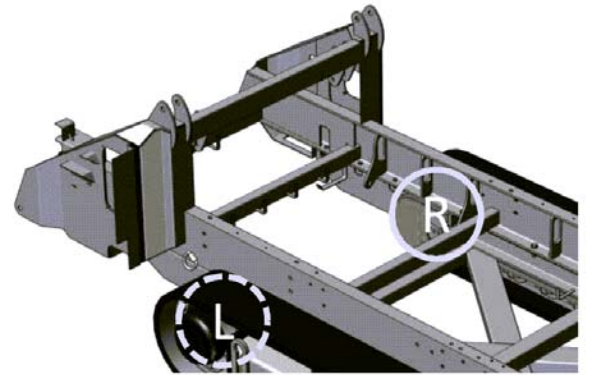






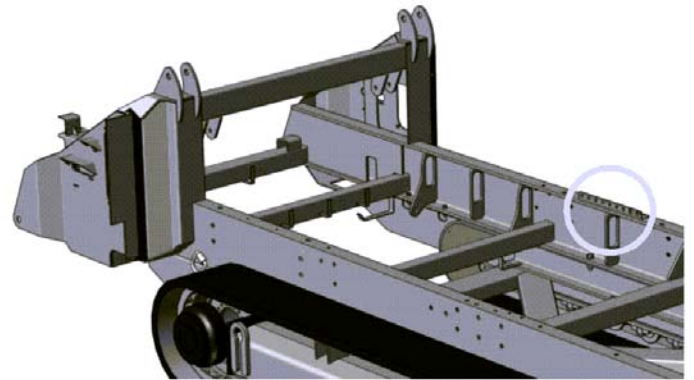


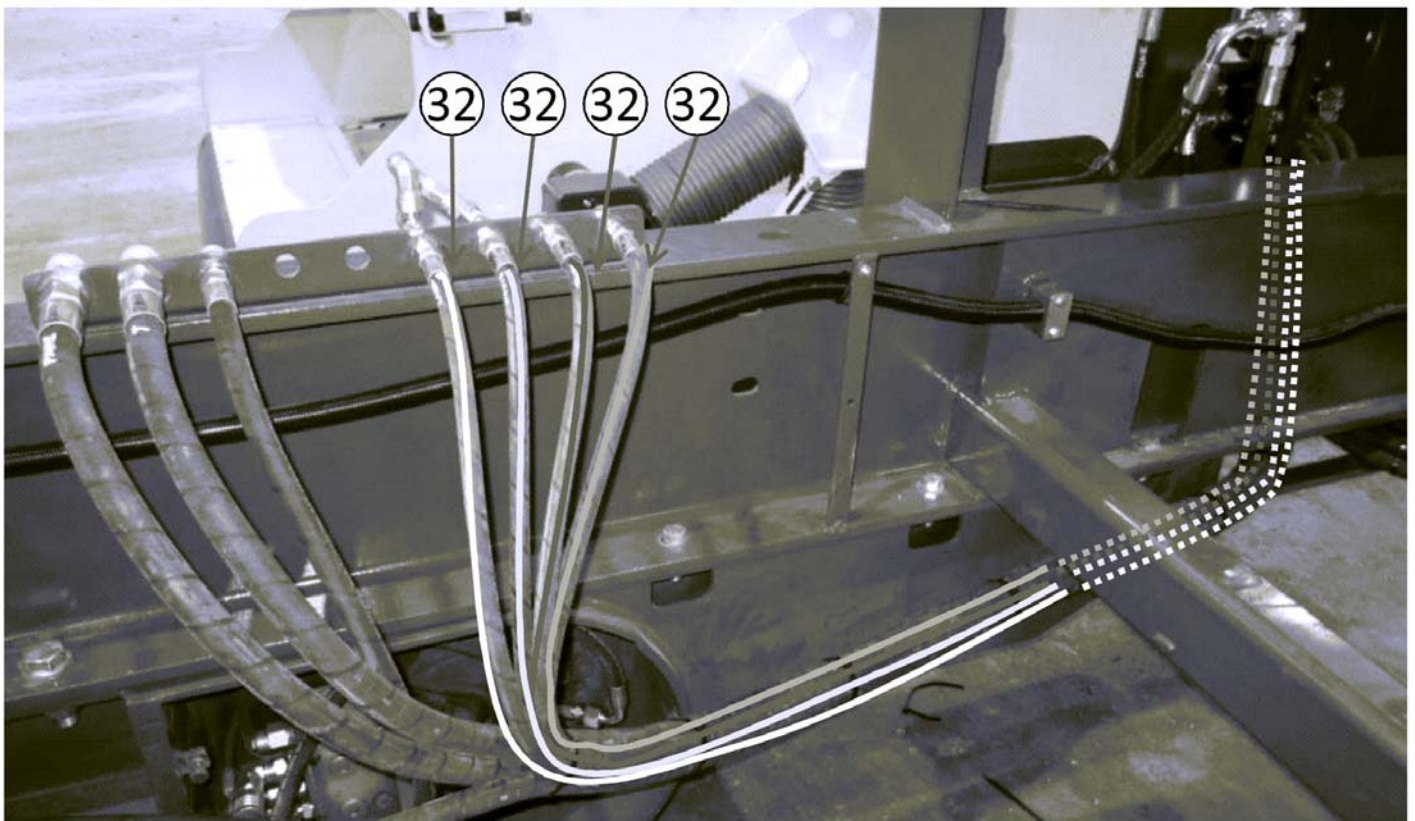
Left



Right





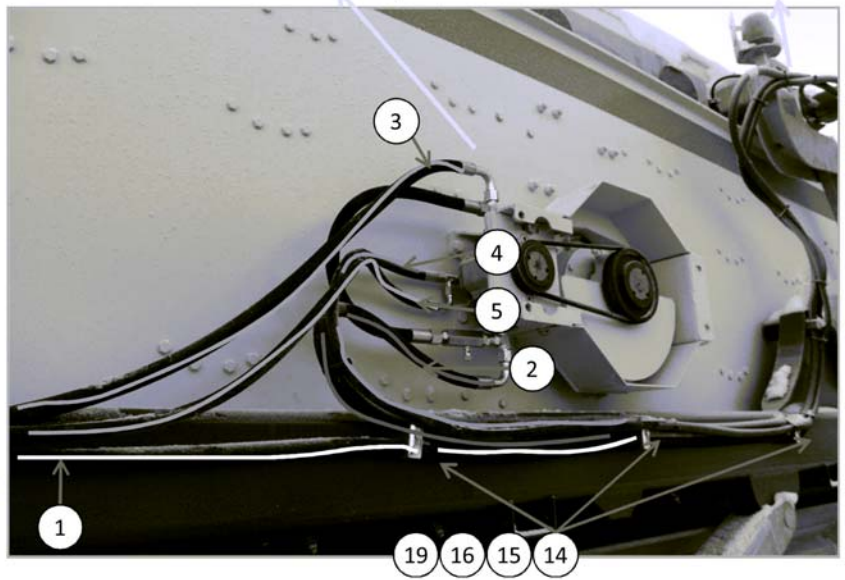
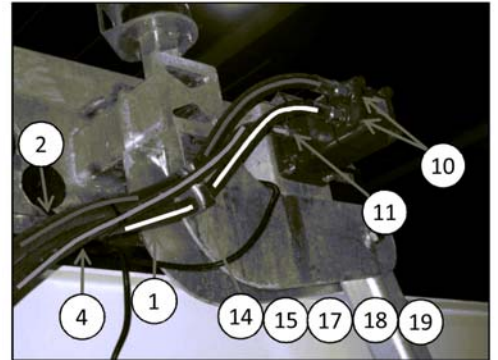
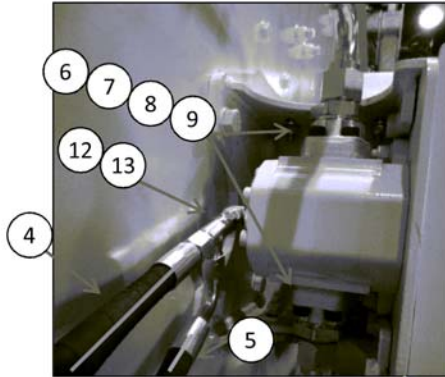
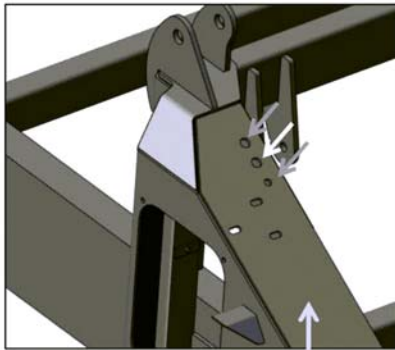




Lokotrack ST3.8 s/n 77916  
MM0595501\_2 PIPING, HYDRAULIC

Pos.	Part No.	Description	Qty	Net Wght
1	706300790065	CONNECTOR	8	.089
2	MM0375181	CONNECTION	12	.05
3	706203392200	ADAPTER, MEASURE	3	0.1
4	706203439040	NIPPLE	2	0.006
5	706300790000	ELBOW	9	0.2
6	706300790092	TEE	2	0.2
7	MM0375183	CONNECTION	3	.05
8	706202487220	TERMINAL PLUG	5	0.02
9	706300790140	PLUG	1	0.102
10	706300790015	ELBOW	4	0.29
11	706300790093	TEE	3	0.319
12	706300790070	CONNECTOR	2	.16
13	706300790002	ELBOW	2	.25
15	706300790580	BULKHEAD UNION	12	0.111
16	MM0321100	BULKHEAD UNION	8	.28
17	706300790091	TEE	5	0.136
18	706300789000	ELBOW	4	0.1
19	706300790064	CONNECTOR	2	0.06
20	MM0317970	ADAPTER	2	0.05
21	N02701936	SEAL	2	.01
22	MM0584664	HYDRAULIC HOSE	2	7.66
23	MM0206435	HYDRAULIC HOSE	1	2.74
24	MM0579992	HYDRAULIC HOSE	2	7.13
25	MM0575289	HOSE	1	2.81
26	706302546940	CLAMP, PIPE	4	.35
27	706302547565	PLATE, COVER	4	0.05
28	704103395000	SCREW, CAP, HEXAGON SOCKET HEAD	8	0.010
29	MM0336816	CLIP, RETAINING	2	.02
30	MM1017141	HYDRAULIC HOSE	2	1.63
31	MM1017143	HYDRAULIC HOSE	2	1.67
32	N44461206	HYDRAULIC HOSE	4	1.3
33	MM0271646	HYDRAULIC HOSE	1	4.78
34	MM0588003	HYDRAULIC HOSE	1	2.22
35	MM0271486	HYDRAULIC HOSE	1	1.96
36	N44460977	HYDRAULIC HOSE	1	4.4
37	N44450455	HYDRAULIC HOSE	1	2.8
38	MM0588002	HYDRAULIC HOSE	1	1.84
39	MM0520878	HYDRAULIC HOSE	1	1
40	706300790550	TEE	1	0.18
41	MM0544492	HYDRAULIC HOSE	2	2.75
42	MM0587992	HYDRAULIC HOSE	2	3.72
43	MM0247572	HYDRAULIC HOSE	1	2.28
44	N44460597	HYDRAULIC HOSE	1	
45	MM0238086	HYDRAULIC HOSE	1	0.6
46	MM0584800	HYDRAULIC HOSE	1	5.41
47	MM0323222	HYDRAULIC HOSE	1	3
48	MM0589755	HYDRAULIC HOSE	1	2.33
49	MM0254680	HYDRAULIC HOSE	1	2.76
50	MM0587596	HYDRAULIC HOSE	1	.74
51	MM0546726	HYDRAULIC HOSE	1	1.12
52	MM1017178	HYDRAULIC HOSE	1	5.24
53	MM0590640	HYDRAULIC HOSE	1	5.89
54	MM0539486	HYDRAULIC HOSE	1	3.91
55	MM0587600	HYDRAULIC HOSE	2	2.26
56	MM0238643	HYDRAULIC HOSE	1	1.6
57	MM0587597	HYDRAULIC HOSE	1	2.79
58	MM0202076	HYDRAULIC HOSE	1	3.6
59	706300790002	ELBOW	4	.25
60	MM0378710	CONNECTOR	4	.165

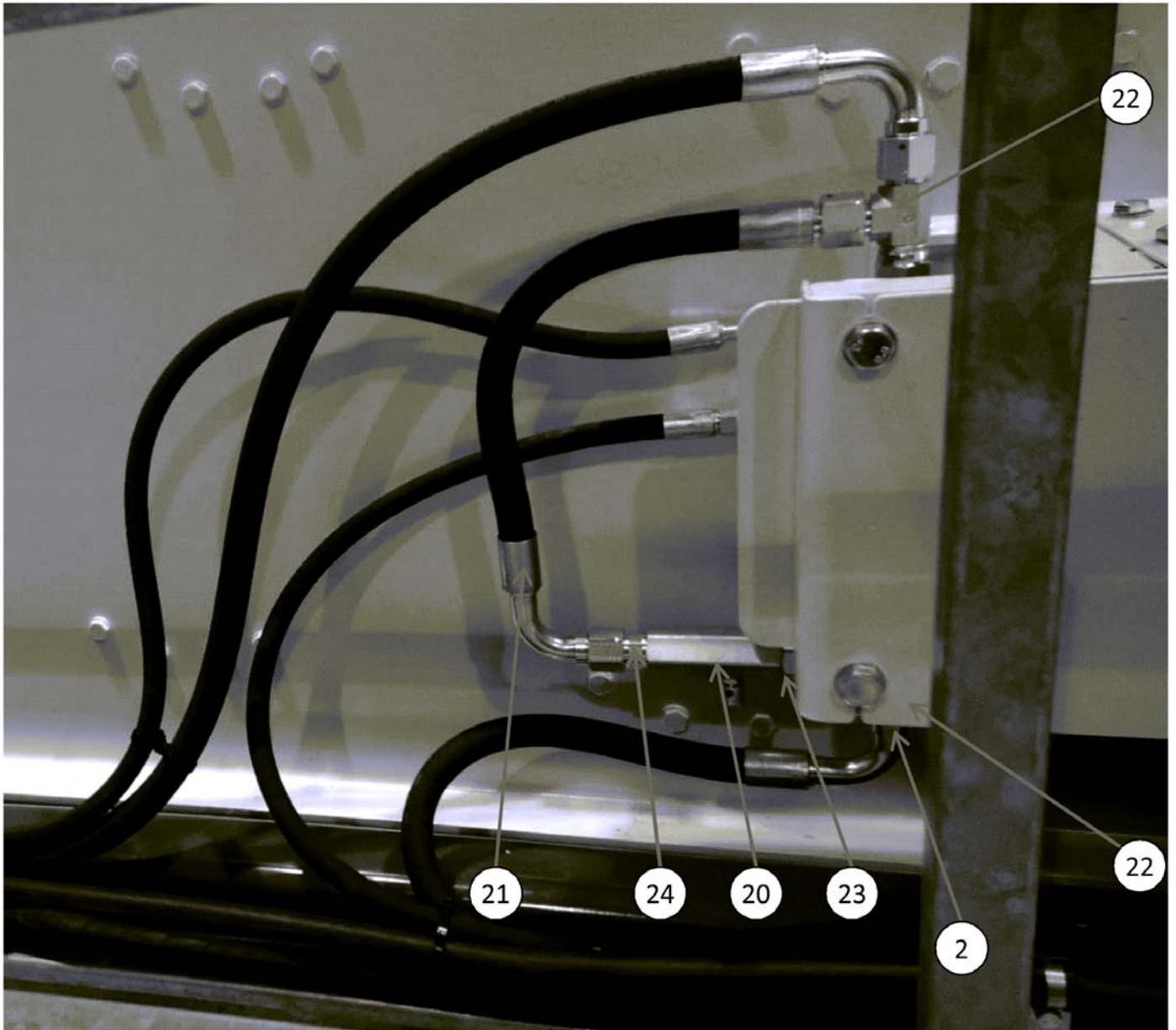






Lokotrack ST3.8 s/n 77916  
MM0579191\_1\_1 PIPING, HYDRAULIC

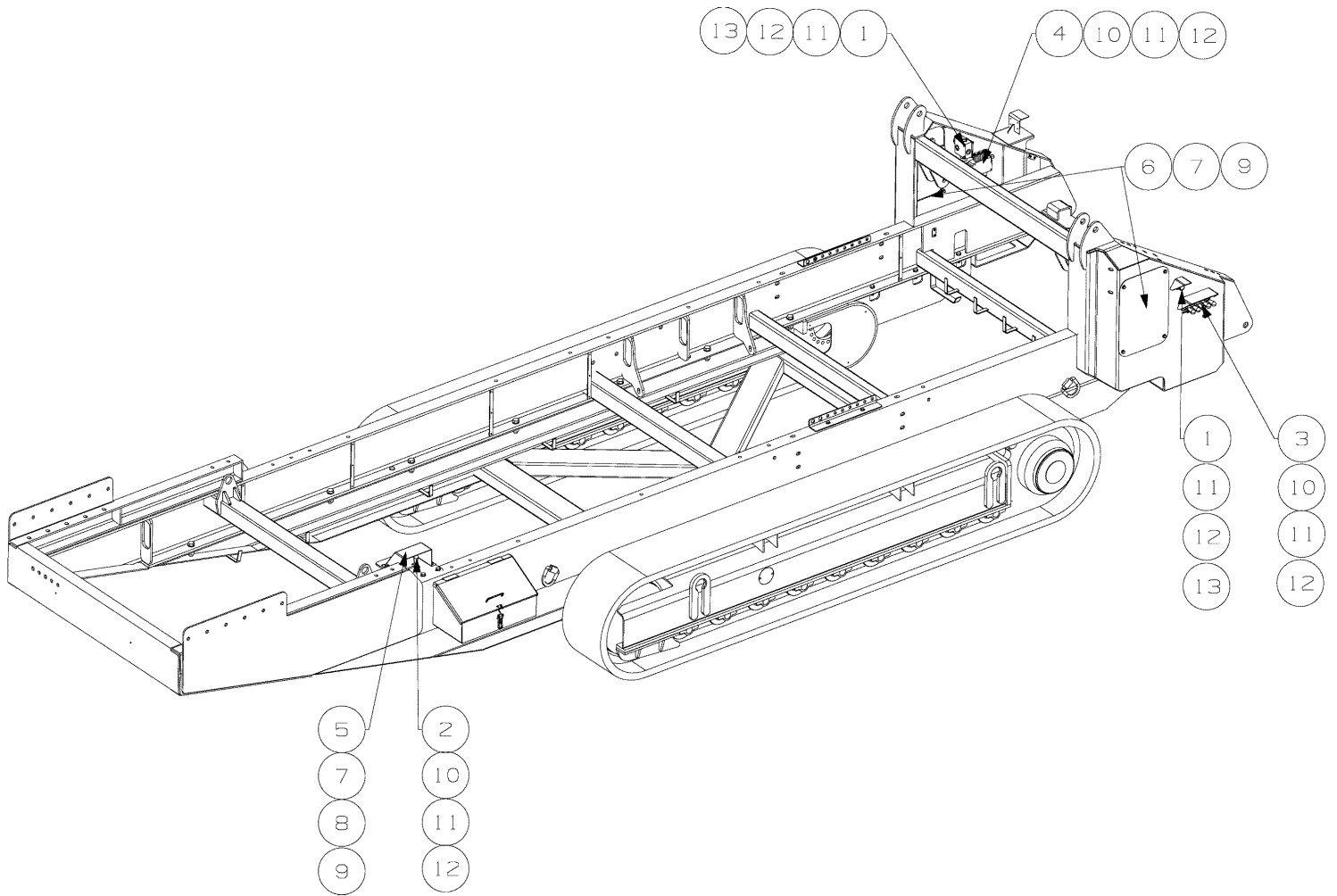
Pos.	Part No.	Description	Qty	Net Wght
1	N44460778	HYDRAULIC HOSE	1	5.2
2	MM0226407	HYDRAULIC HOSE	1	4.15
3	MM0544492	HYDRAULIC HOSE	1	2.75
4	MM0587605	HYDRAULIC HOSE	1	2.63
5	MM0587607	HYDRAULIC HOSE	1	1.61
6	706300377150	FLANGE CONNECTOR	2	0.65
7	MM0275231	O-RING	2	0.001
8	MM0336465	CONNECTOR	2	.4
9	MM0341855	SCREW, CAP, HEXAGON SOCKET HEAD	8	.04
10	706300790066	CONNECTOR	2	0.16
11	N02407170	STUD	1	0.148
12	MM0289252	ELBOW	1	.09
13	706300790091	TEE	1	0.136
14	N02118905	CLAMP, PIPE	6	.05
15	N02118994	COVERING PLATE	6	0.1
16	7001530115	BOLT, HEXAGONAL	5	0.024
17	N01530120	BOLT, HEXAGONAL	1	0.033
18	704203927080	NUT, HEXAGONAL, TORQUE	1	0.011
19	MM0336816	CLIP, RETAINING	6	.02
20	N02482203	VALVE, FLOW CONTROL	1	0.7
21	MM0271035	HYDRAULIC HOSE	1	0.95
22	706300790093	TEE	2	0.319
23	N02411049	STUD	1	0.17
24	706300790069	CONNECTOR	1	0.11





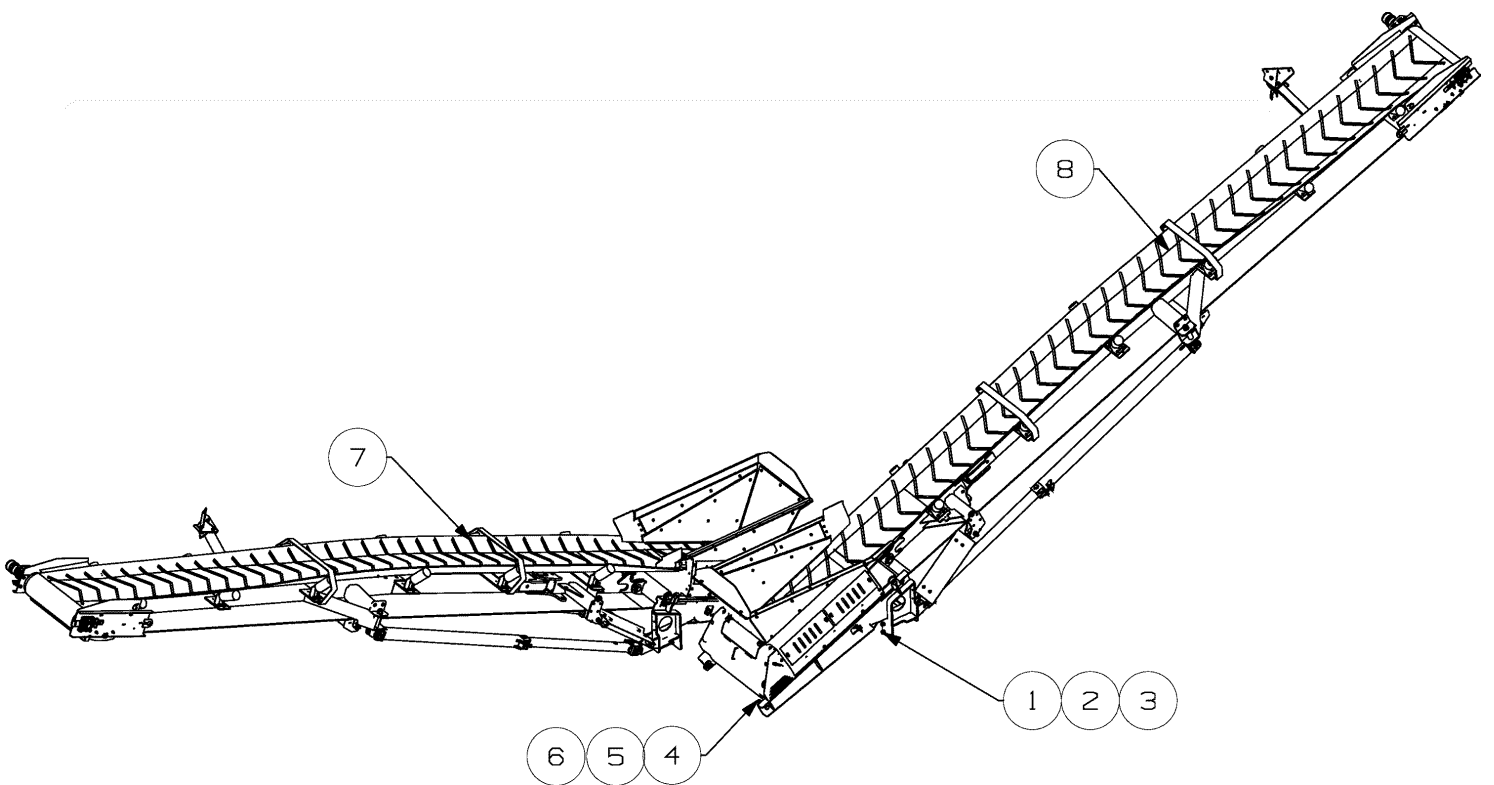
Lokotrack ST3.8 s/n 77916  
MM0579191\_1\_2 PIPING, HYDRAULIC

Pos.	Part No.	Description	Qty	Net Wght
1	N44460778	HYDRAULIC HOSE	1	5.2
2	MM0226407	HYDRAULIC HOSE	1	4.15
3	MM0544492	HYDRAULIC HOSE	1	2.75
4	MM0587605	HYDRAULIC HOSE	1	2.63
5	MM0587607	HYDRAULIC HOSE	1	1.61
6	706300377150	FLANGE CONNECTOR	2	0.65
7	MM0275231	O-RING	2	0.001
8	MM0336465	CONNECTOR	2	.4
9	MM0341855	SCREW, CAP, HEXAGON SOCKET HEAD	8	.04
10	706300790066	CONNECTOR	2	0.16
11	N02407170	STUD	1	0.148
12	MM0289252	ELBOW	1	.09
13	706300790091	TEE	1	0.136
14	N02118905	CLAMP, PIPE	6	.05
15	N02118994	COVERING PLATE	6	0.1
16	7001530115	BOLT, HEXAGONAL	5	0.024
17	N01530120	BOLT, HEXAGONAL	1	0.033
18	704203927080	NUT, HEXAGONAL, TORQUE	1	0.011
19	MM0336816	CLIP, RETAINING	6	.02
20	N02482203	VALVE, FLOW CONTROL	1	0.7
21	MM0271035	HYDRAULIC HOSE	1	0.95
22	706300790093	TEE	2	0.319
23	N02411049	STUD	1	0.17
24	706300790069	CONNECTOR	1	0.11





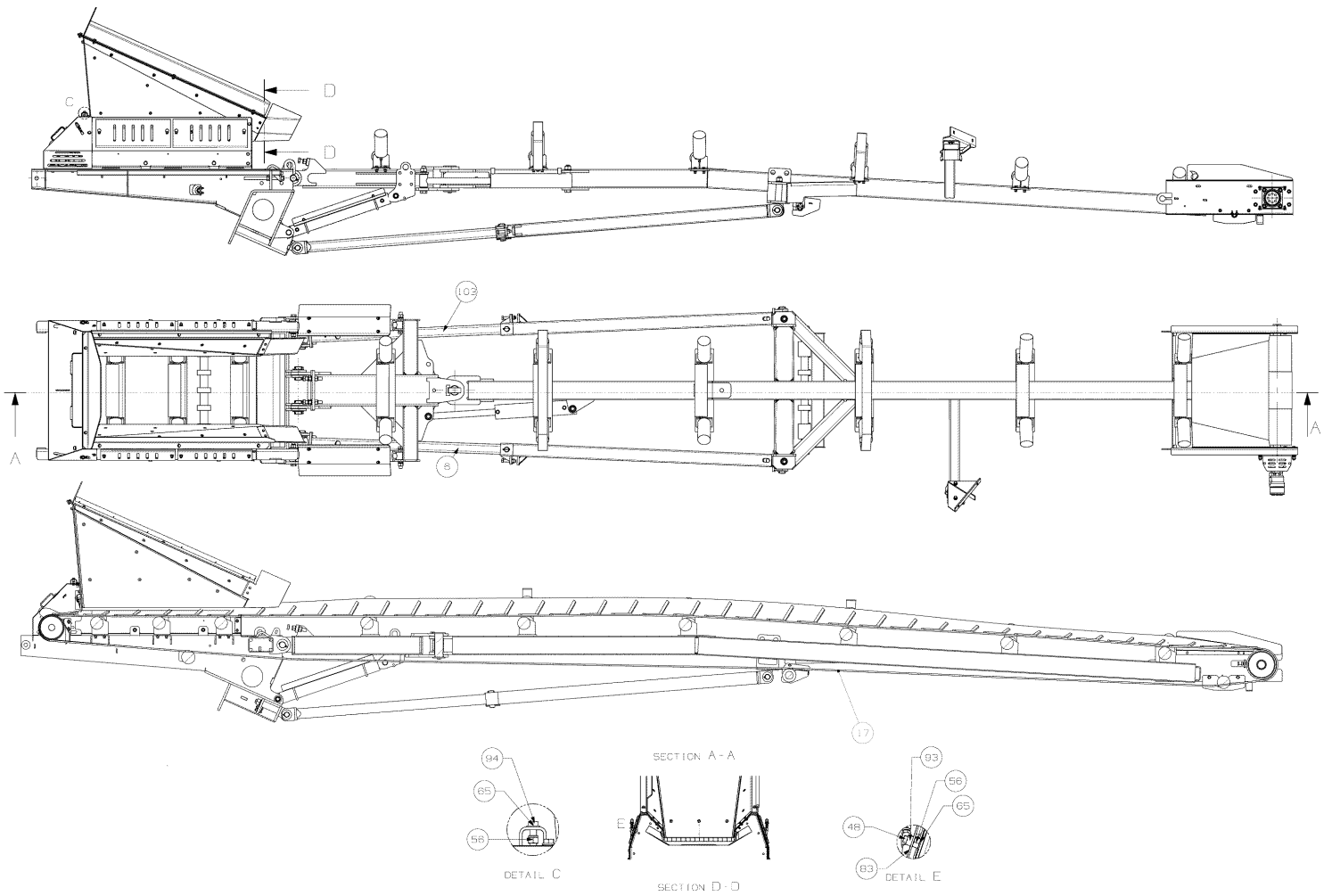
Pos.	Part No.	Description	Qty	Net Wght
1	MM0317231	VALVE, FLOW CONTROL	2	4.5
2	MM0373786	VALVE, DIRECTIONAL	1	2.8
3	MM0373762	VALVE, DIRECTIONAL	1	8.8
4	MM0373765	VALVE, DIRECTIONAL	1	5.5
5	M08890	COVER PLATE	1	2.57
6	M10751	COVER PLATE	2	6
7	N01530197	BOLT, HEXAGONAL	12	0.05
9	704006970000	WASHER, PLAIN	16	0.005
10	7001530117	BOLT, HEXAGONAL	6	0.026
11	704203927080	NUT, HEXAGONAL, TORQUE	10	0.011
12	704006880000	WASHER, PLAIN	20	0.010
13	N01530119	BOLT, HEXAGONAL	4	0.030

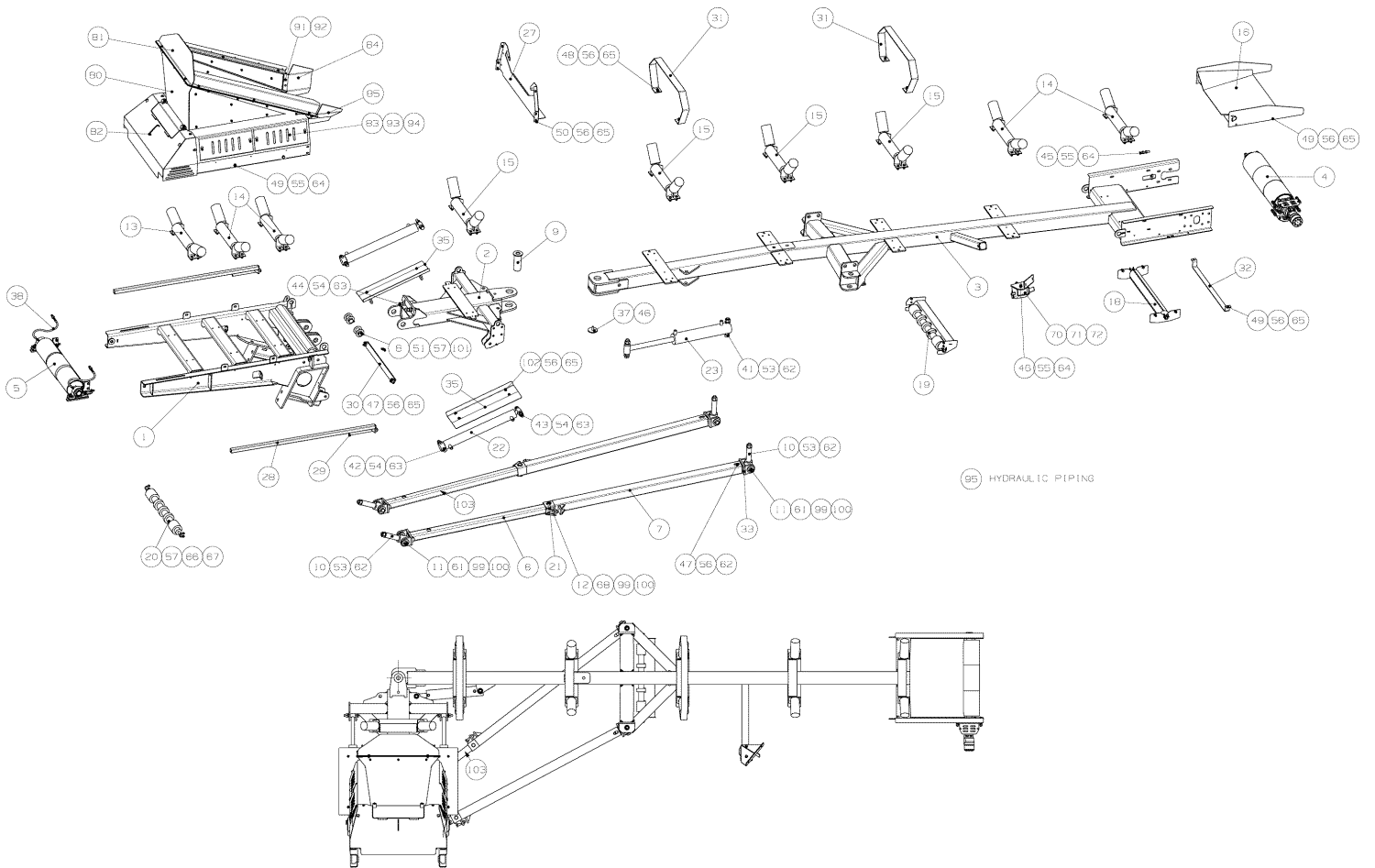




Lokotrack ST3.8 s/n 77916  
MM0584165\_1 CONVEYOR MODULE INSTALLATION

Pos.	Part No.	Description	Qty	Net Wght	Page
1	N01570220	NUT, JAM, HEXAGONAL	12	0.06	
2	N01626520	WASHER, PLAIN	24	0.017	
3	N01530001	BOLT, HEXAGONAL	12	.19	
4	N01565003	NUT, HEXAGONAL	4	0.094	
5	704007190000	WASHER, PLAIN	8	0.030	
6	N01530524	BOLT, HEXAGONAL	4	.37	
7	MM0558492	BELT CONVEYOR	1	2008.35	36
8	MM0561527	BELT CONVEYOR	1	1992.35	50







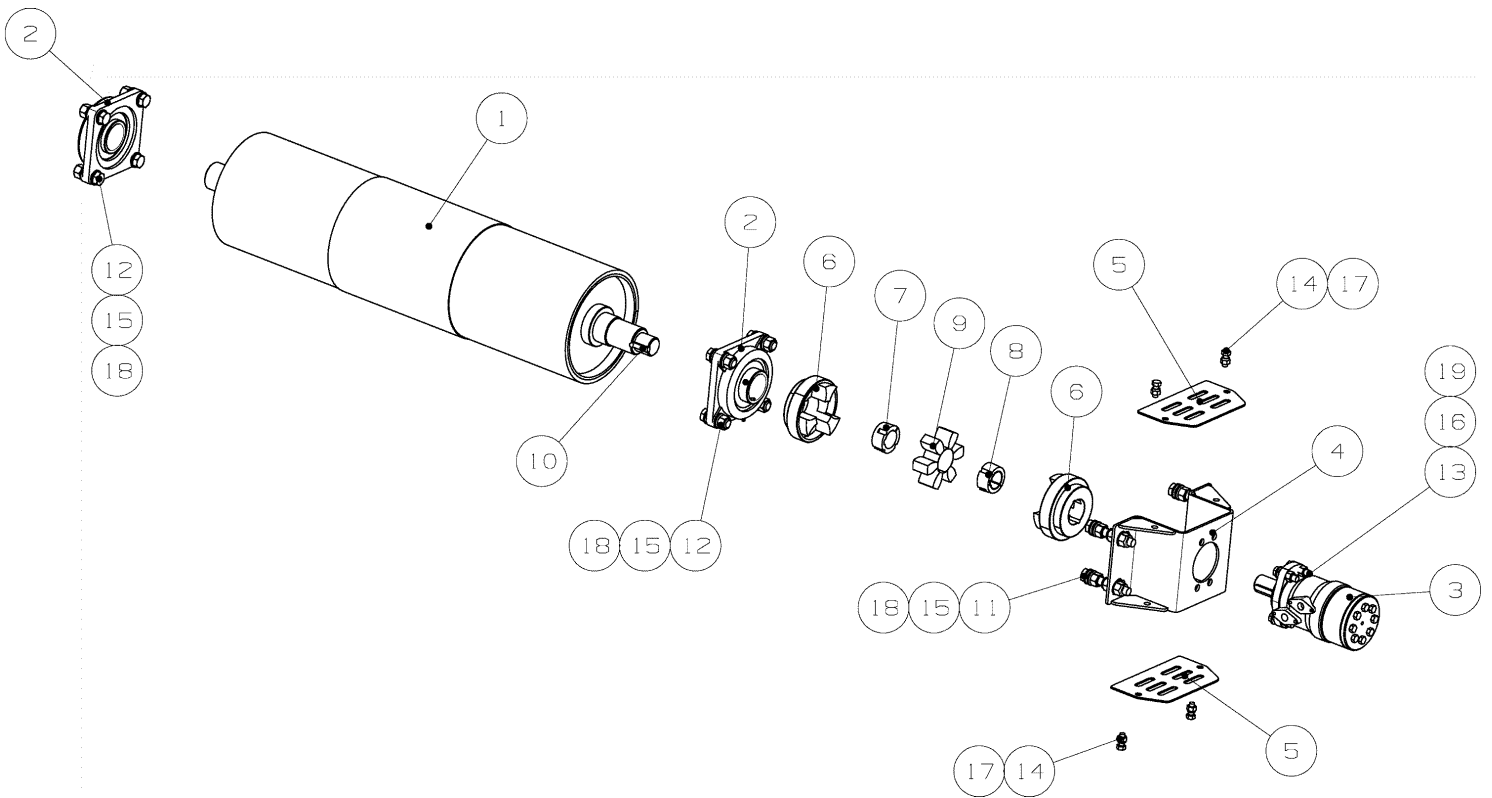
Lokotrack ST3.8 s/n 77916  
MM0558492\_9 BELT CONVEYOR

Pos.	Part No.	Description	Qty	Net Wght	Page
01	MM0558498	FRAME WELDING	1	283.08	
02	MM0558603	FRAME WELDING	1	146.21	
03	MM0558617	FRAME WELDING	1	371.55	
04	MM0543461	DRIVE DEVICE	1	79	37
05	MM0560981	IDLER	1	65.13	38
06	MM0561246	SUPPORT WELDING	1	35.45	
07	MM0551959	SUPPORT WELDING	2	39.21	
08	MM0581363	AXLE	2	1.61	
09	MM1035944	JOINT PIN	1	6.95	
10	MM0556132	PIN	4	5.76	
11	MM0556144	PIN	4	1.86	
12	MM0556149	PIN	2	1.32	
13	MM0267853	ROLLER ASSEMBLY	1	13	39
14	MM0267854	ROLLER ASSEMBLY	4	13	40
15	MM0267855	ROLLER ASSEMBLY	4	13	41
16	M11589	BELT GUARD	1	29	
17	N03005030	CONVEYOR BELT	1	160	
18	MM0559005	ROLLER ASSEMBLY	1	14	42
19	MM0559261	RETURN ROLLER ASSEMBLY	1	14.3	43
20	MM0264890	ROLLER, RETURN	1	9.62	
21	M09868	BRACKET	2	2.99	
22	MM0534133	CYLINDER, HYDRAULIC	2	25	
23	MM0237496	CYLINDER, HYDRAULIC	1	29.8	44
27	MM0559731	PLATE	1	9.22	
28	MM0550915	ADJUSTMENT ROD	2	7.24	
29	M01870-1	SCREW, ADJUSTING	2	1.361	
30	MM0559594	PLATE	1	3.42	
31	M11572	PLATE	2	6.2	
32	MM0559030	PLATE	1	2.24	
33	MM0532666	SUPPORT	2	4.16	
35	MM0581788	PLATE	2	5.15	
37	MM0536706	PLATE	1	.48	
38	MM0555867	GREASE HOSE	2	.11	45
41	N01530635	BOLT, HEXAGONAL	2	1.310	
42	N01530556	BOLT, HEXAGONAL	2	0.740	
43	N01530550	BOLT, HEXAGONAL	2	0.700	
44	N01530533	BOLT, HEXAGONAL	2	0.600	
45	7001530329	SCREW, HEXAGONAL	1	0.200	
46	N01530313	BOLT, HEXAGONAL	7	.102	
47	7001530203	BOLT, HEXAGONAL	6	0.200	
48	N01530199	BOLT, HEXAGONAL	12	0.05	
49	N01530197	BOLT, HEXAGONAL	12	0.05	
50	N01530194	SCREW, HEXAGONAL	18	0.037	
51	7001530118	SCREW, HEXAGONAL	4	0.027	
53	704203927300	NUT, HEXAGONAL, TORQUE	6	0.220	
54	704203927240	NUT, HEXAGONAL, TORQUE	8	0.100	
55	704203927160	NUT, HEXAGONAL, TORQUE	8	0.035	
56	704203927120	NUT, HEXAGONAL, TORQUE	44	0.010	
57	704203927080	NUT, HEXAGONAL, TORQUE	8	0.011	
61	704007330000	WASHER, PLAIN	24	0.180	
62	704007270000	WASHER, PLAIN	14	0.060	
63	704007190000	WASHER, PLAIN	12	0.030	
64	N01626516	WASHER, PLAIN	12	0.012	
65	704006970000	WASHER, PLAIN	79	0.005	
66	MM0360001	WASHER	4	.011	
67	N01841013	U-BOLT	2	0.05	
68	706303524120	PIN, SPRING	2	0.05	
70	M11645	SUPPORT ASSEMBLY	1	4	
71	M11696	BRACKET	1	3.4	
72	M04849-09	PIN	1	0.634	
80	M11608	HOPPER	1	211	46
81	M11606	CHUTE EXTENSION ASSEMBLY	1	35	48
82	MM0263126	GUARD	1	21.25	
83	MM0316938	COVER PLATE	4	3.34	



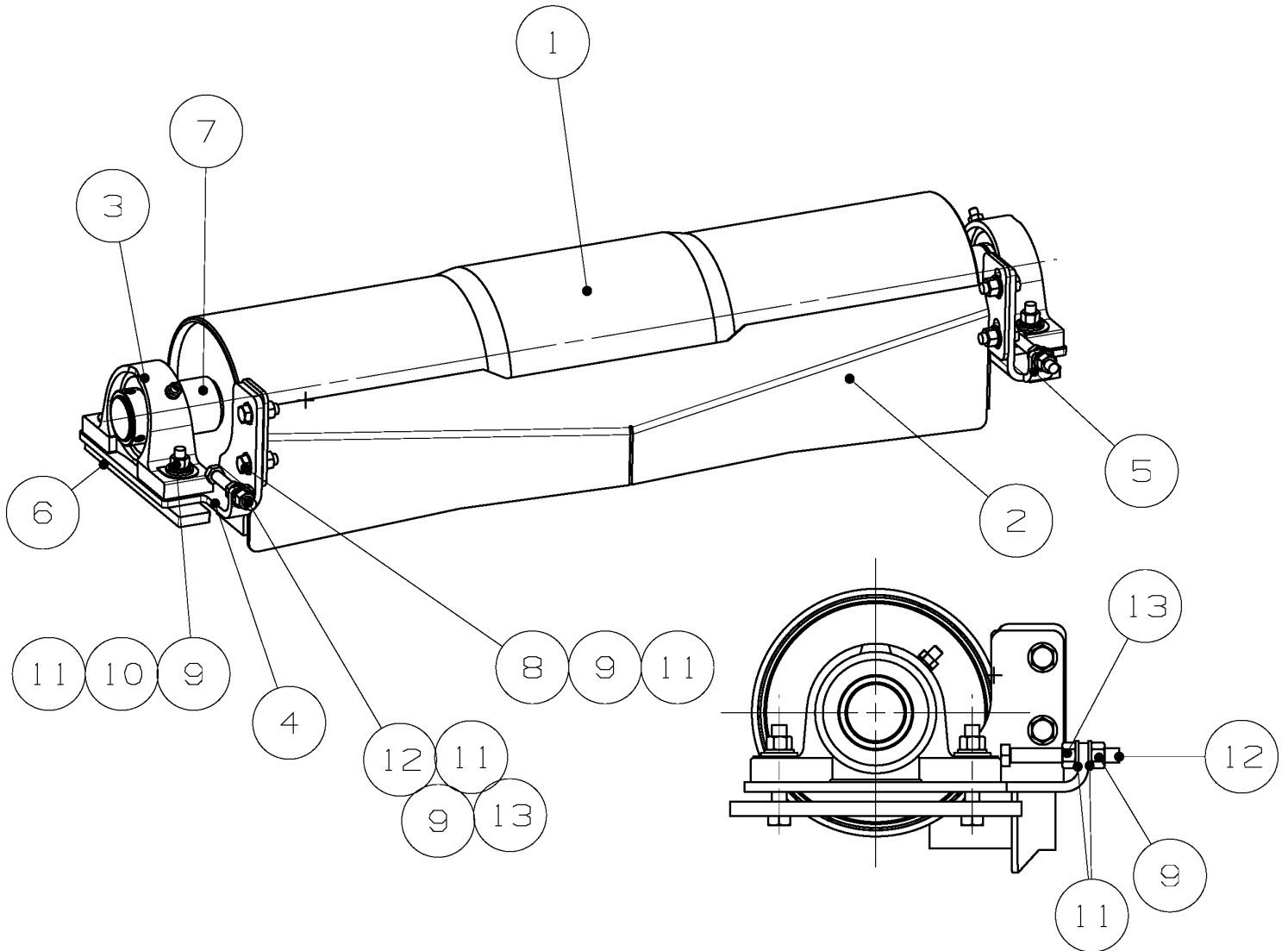
Lokotrack ST3.8 s/n 77916  
MM0558492\_9 BELT CONVEYOR

Pos.	Part No.	Description	Qty	Net Wght	Page
84	N11904041	PLATE	1	3.58	
85	N11904040	PLATE	1	4.3	
91	N01530136	SCREW, HEXAGONAL	4	0.020	
92	N01570210	NUT, HEXAGONAL, TORQUE	4	0.013	
93	704202205000	NUT, HEXAGONAL	8	0.017	
94	N01530204	SCREW, HEXAGONAL	2	0.050	
95	MM0395178	PIPING, HYDRAULIC	1		49
99	N01530068	BOLT, HEXAGONAL	10	0.012	
100	704203927060	NUT, HEXAGONAL, TORQUE	10	0.010	
101	MM0581374	PLATE	4	.1	
102	704700300090	U-BOLT	4	.23	
103	MM1011946	SUPPORT WELDING	1	36.79	





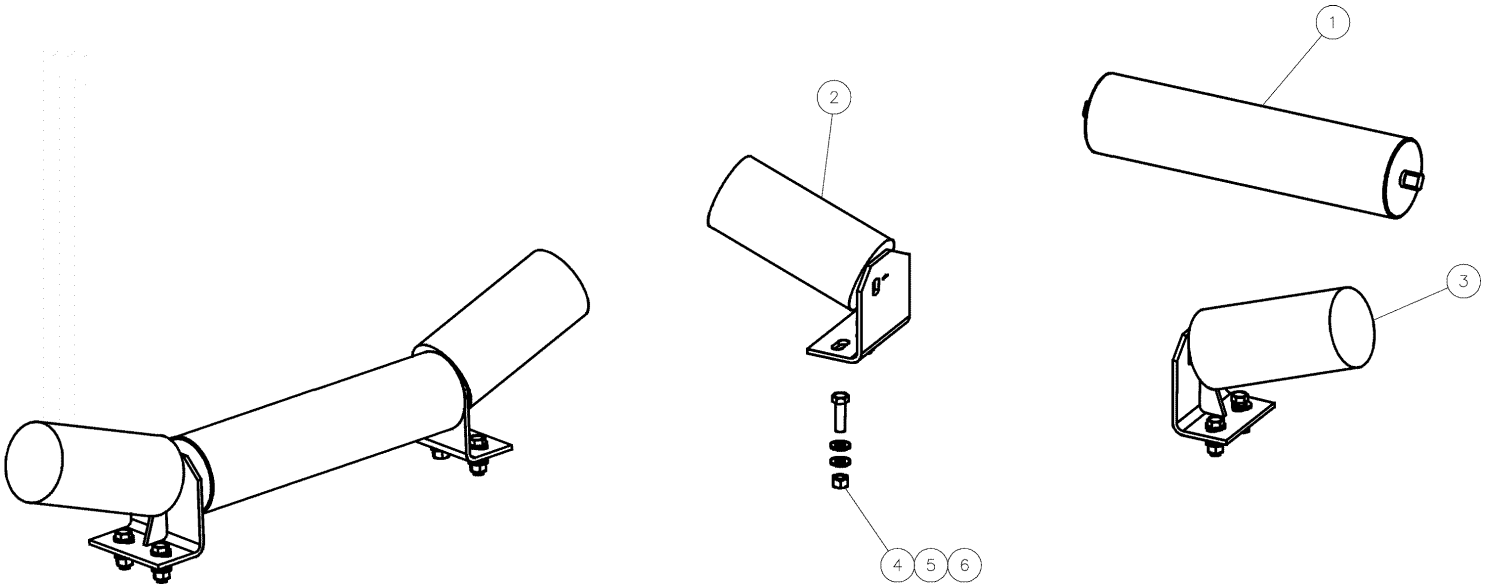
Pos.	Part No.	Description	Qty	Net Wght
1	MM0543452	DRIVE DRUM	1	63.89
2	MM0359700	BEARING HOUSING, FLANGED	2	3.6
3	N05530635	MOTOR, HYDRAULIC	1	12.3
*	N05530744	SEAL KIT	1	0.05
4	MM0538754	MOTOR BRACKET	1	3.67
5	MM0557490	COVER PLATE	2	.52
6	N03460954	COUPLING FLANGE	2	2.25
7	N03239114	BUSHING, TAPER	1	0.227
8	N03239113	BUSHING, TAPER	1	0.41
9	N03460955	COUPLING ELEMENT	1	0.152
10	N01606050	PARALLEL KEY	1	0.022
11	7001530329	SCREW, HEXAGONAL	20	0.200
12	N01530313	BOLT, HEXAGONAL	8	.102
13	N01530201	BOLT, HEXAGONAL	4	0.053
14	N01530137	BOLT, HEXAGONAL	4	0.016
15	704203927160	NUT, HEXAGONAL, TORQUE	20	0.035
16	7001570012	NUT, HEXAGONAL, TORQUE	4	0.010
17	704203927100	NUT, HEXAGONAL, TORQUE	4	0.010
18	704007040000	WASHER, PLAIN	32	0.011
19	704006970000	WASHER, PLAIN	4	0.005



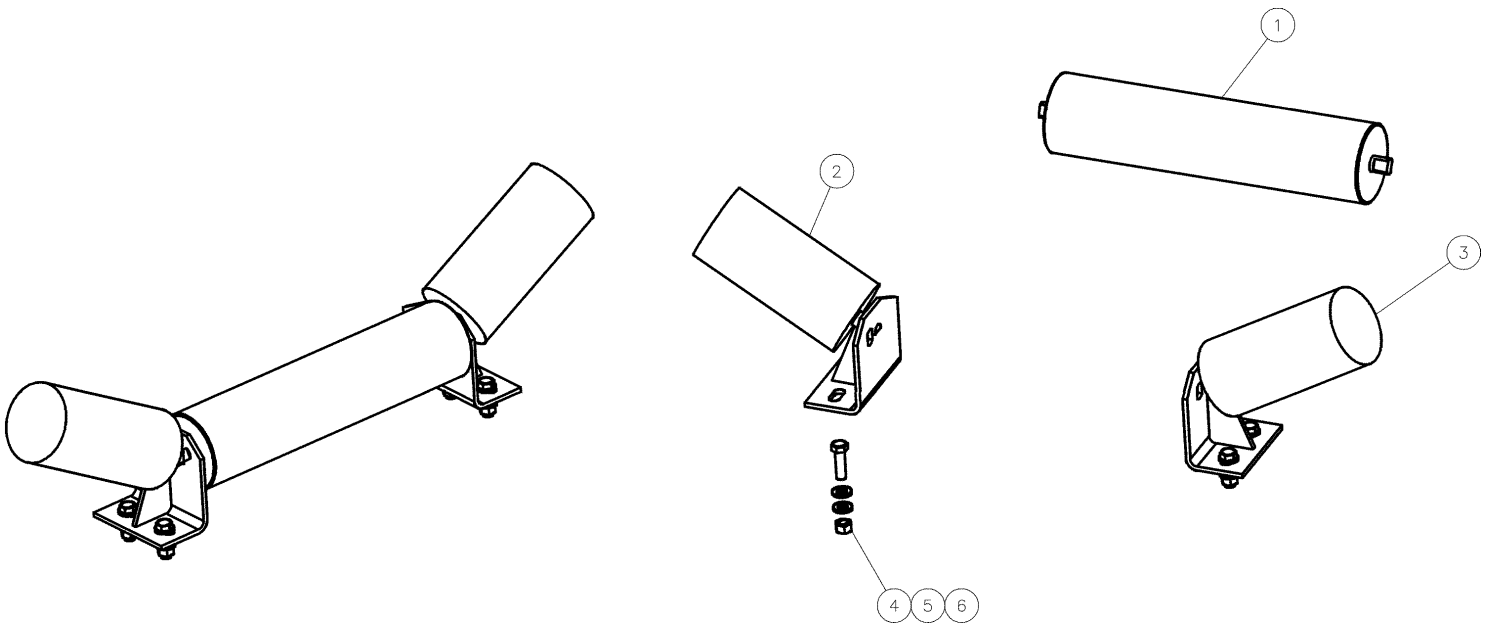


Lokotrack ST3.8 s/n 77916  
MM0560981\_3 IDLER

Pos.	Part No.	Description	Qty	Net Wght
01	MM0561160	IDLER	1	43.98
02	MM0560994	BELT PLOUGH	1	6.1
03	MM0537124	BEARING KIT	2	2.9
04	MM1035797	PLATE	1	1.6
05	MM1035810	PLATE	1	1.6
06	MM0560925	MOUNTING PLATE	2	.99
07	MM0551893	PIPE	2	.29
08	N01530197	BOLT, HEXAGONAL	4	0.05
09	704203927120	NUT, HEXAGONAL, TORQUE	10	0.010
10	704007040000	WASHER, PLAIN	4	0.011
11	704006970000	WASHER, PLAIN	16	0.005
12	N01563012	NUT, HEXAGONAL	2	0.017
13	7001530214	SCREW, HEXAGONAL	2	0.080



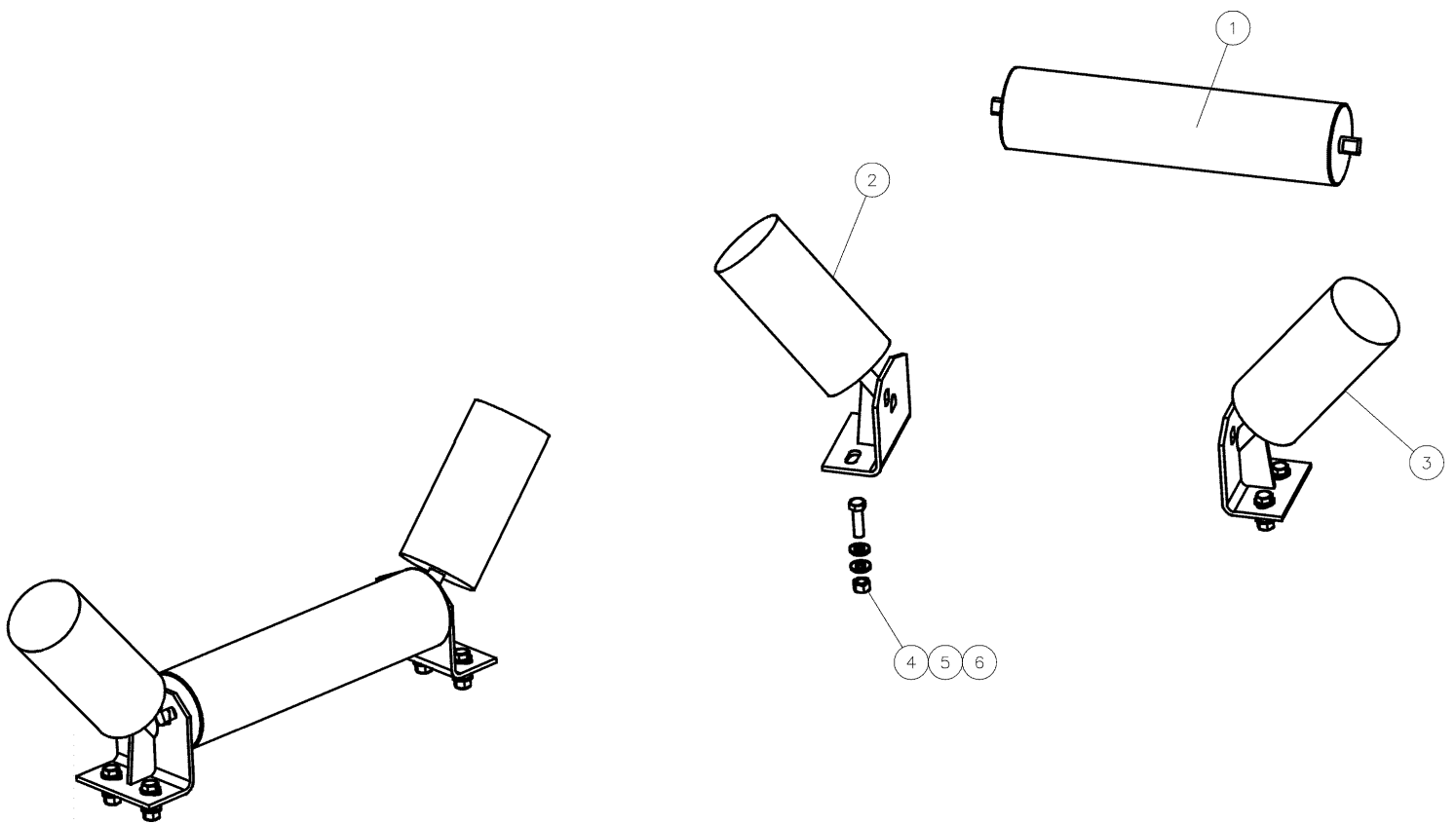
Pos.	Part No.	Description	Qty	Net Wght
1	N03906909	ROLLER	1	4.990
2	MM0252790	ROLLER, GUIDE	1	2.65
3	MM0252800	ROLLER, GUIDE	1	2.52
4	7001570012	NUT, HEXAGONAL, TORQUE	4	0.010
5	704006970000	WASHER, PLAIN	8	0.005
6	N01530199	BOLT, HEXAGONAL	4	0.05





Lokotrack ST3.8 s/n 77916  
MM0267854\_1 ROLLER ASSEMBLY

Pos.	Part No.	Description	Qty	Net Wght
1	N03906909	ROLLER	1	4.990
2	MM0253176	ROLLER, GUIDE	1	2.65
3	MM0253190	ROLLER, GUIDE	1	2.65
4	7001570012	NUT, HEXAGONAL, TORQUE	4	0.010
5	704006970000	WASHER, PLAIN	8	0.005
6	N01530199	BOLT, HEXAGONAL	4	0.05

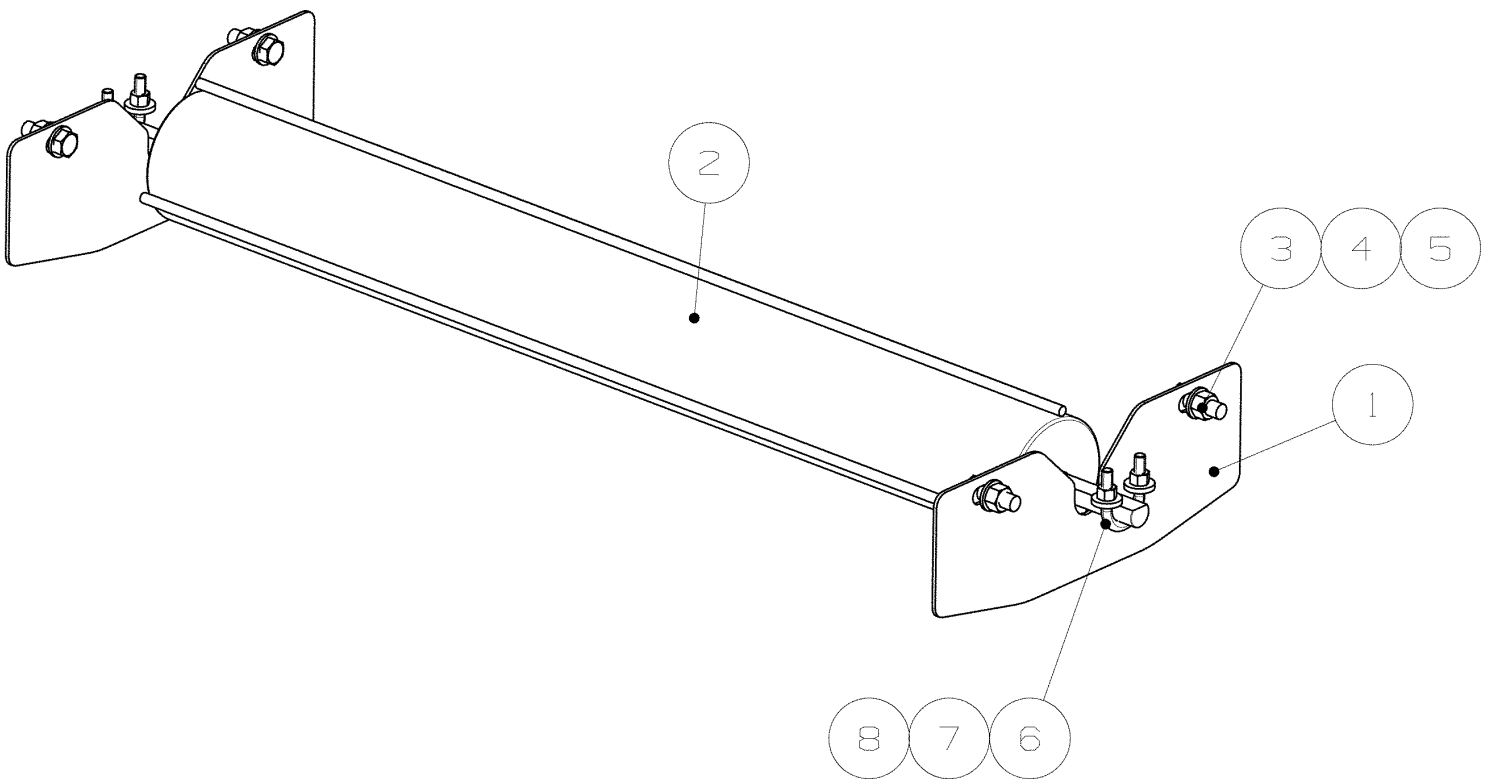






Lokotrack ST3.8 s/n 77916  
MM0267855\_1 ROLLER ASSEMBLY

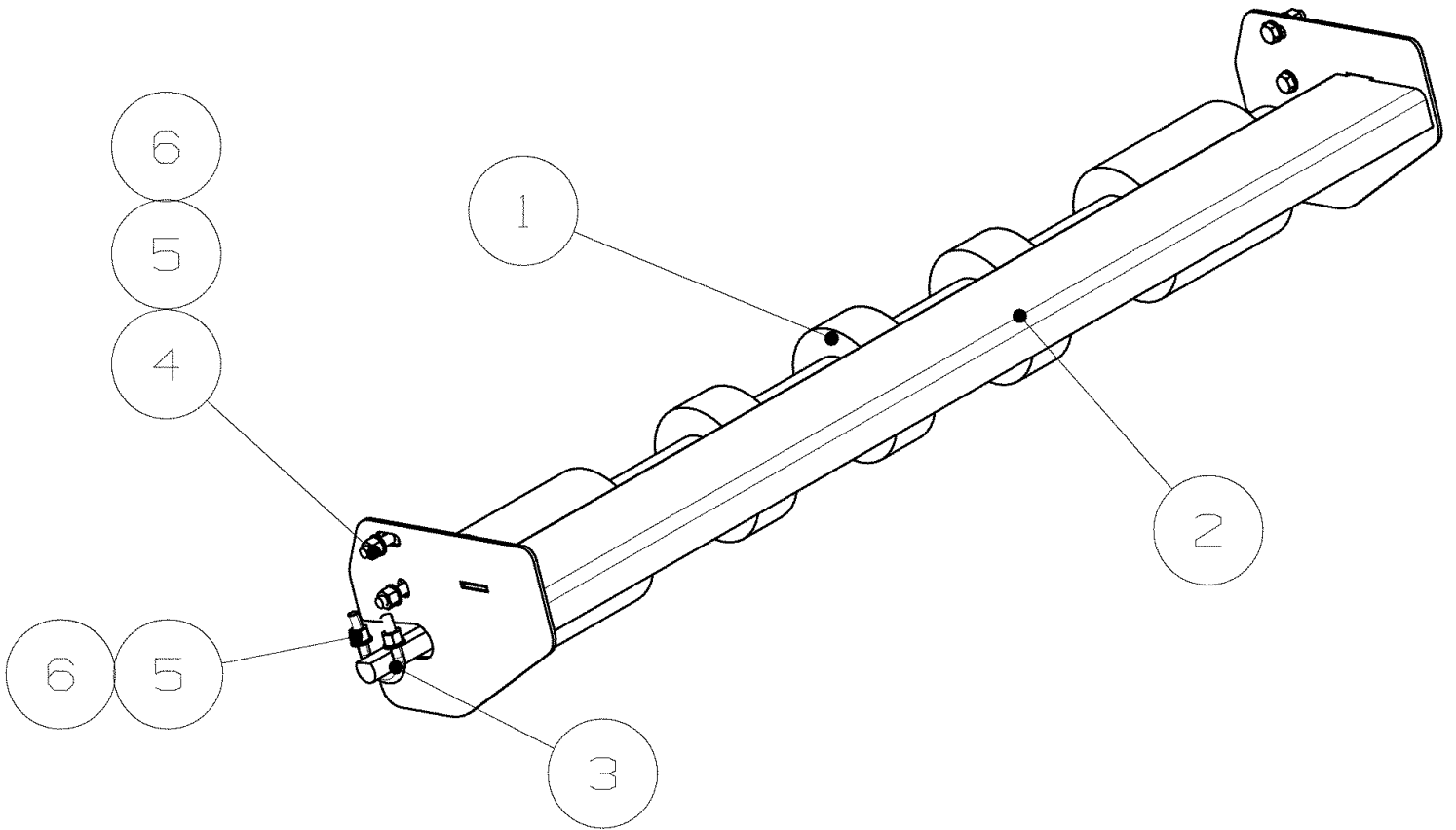
Pos.	Part No.	Description	Qty	Net Wght
1	N03906909	ROLLER	1	4.990
2	MM0253219	ROLLER	1	2.665
3	MM0253218	ROLLER	1	3.51
4	7001570012	NUT, HEXAGONAL, TORQUE	4	0.010
5	704006970000	WASHER, PLAIN	8	0.005
6	N01530199	BOLT, HEXAGONAL	4	0.05





Lokotrack ST3.8 s/n 77916  
MM0559005\_0 ROLLER ASSEMBLY

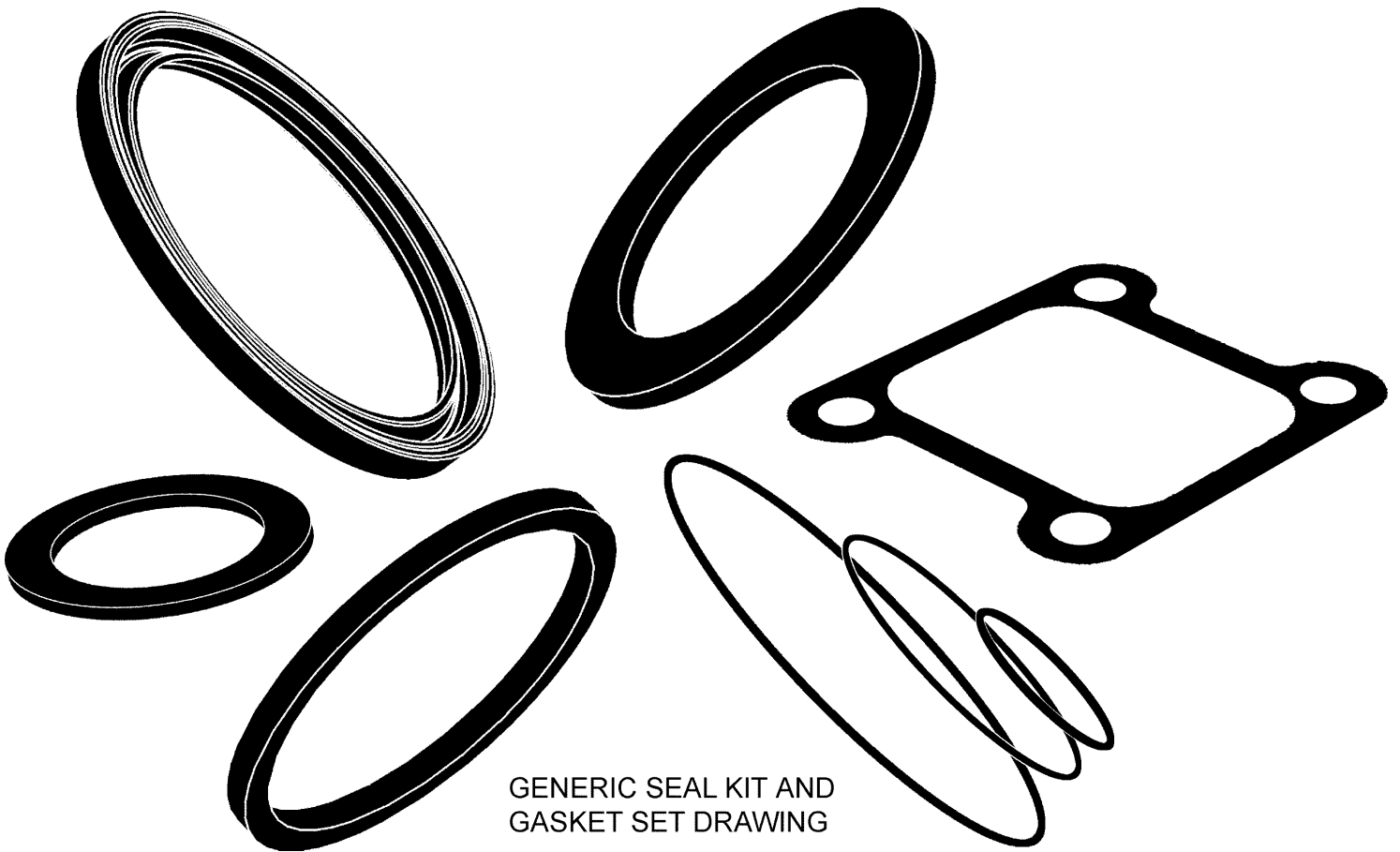
Pos.	Part No.	Description	Qty	Net Wght
1	MM0551595	BELT GUARD	2	.81
2	M11635	ROLLER ASSEMBLY	1	13.0
3	N01530197	BOLT, HEXAGONAL	4	0.05
4	704203927120	NUT, HEXAGONAL, TORQUE	4	0.010
5	704006970000	WASHER, PLAIN	8	0.005
6	N01841013	U-BOLT	2	0.05
7	704203927080	NUT, HEXAGONAL, TORQUE	4	0.011
8	MM0360001	WASHER	4	.011





Lokotrack ST3.8 s/n 77916  
MM0559261\_0 RETURN ROLLER ASSEMBLY

Pos.	Part No.	Description	Qty	Net Wght
1	MM0264890	ROLLER, RETURN	1	9.62
2	MM0559268	BELT GUARD	1	4.4
3	N01841013	U-BOLT	2	0.05
4	N01530106	SCREW, HEXAGONAL	4	0.020
5	704203927080	NUT, HEXAGONAL, TORQUE	8	0.011
6	N01626508	WASHER, PLAIN	12	0.013

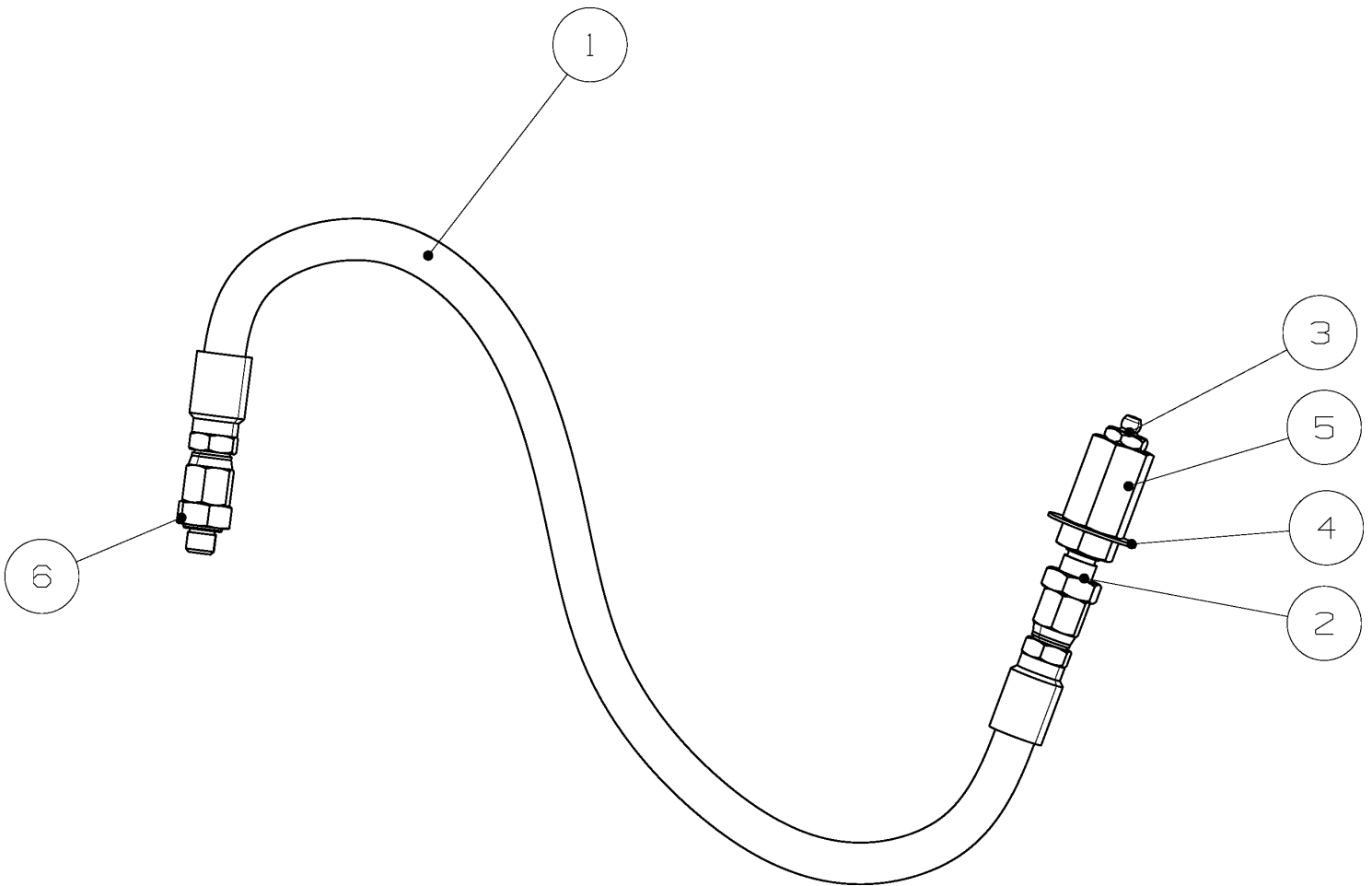




Lokotrack ST3.8 s/n 77916  
MM0237496\_0 CYLINDER, HYDRAULIC

Pos.	Part No.	Description	Qty	Net Wght
0	MM0237905	SEAL KIT	1	0.01

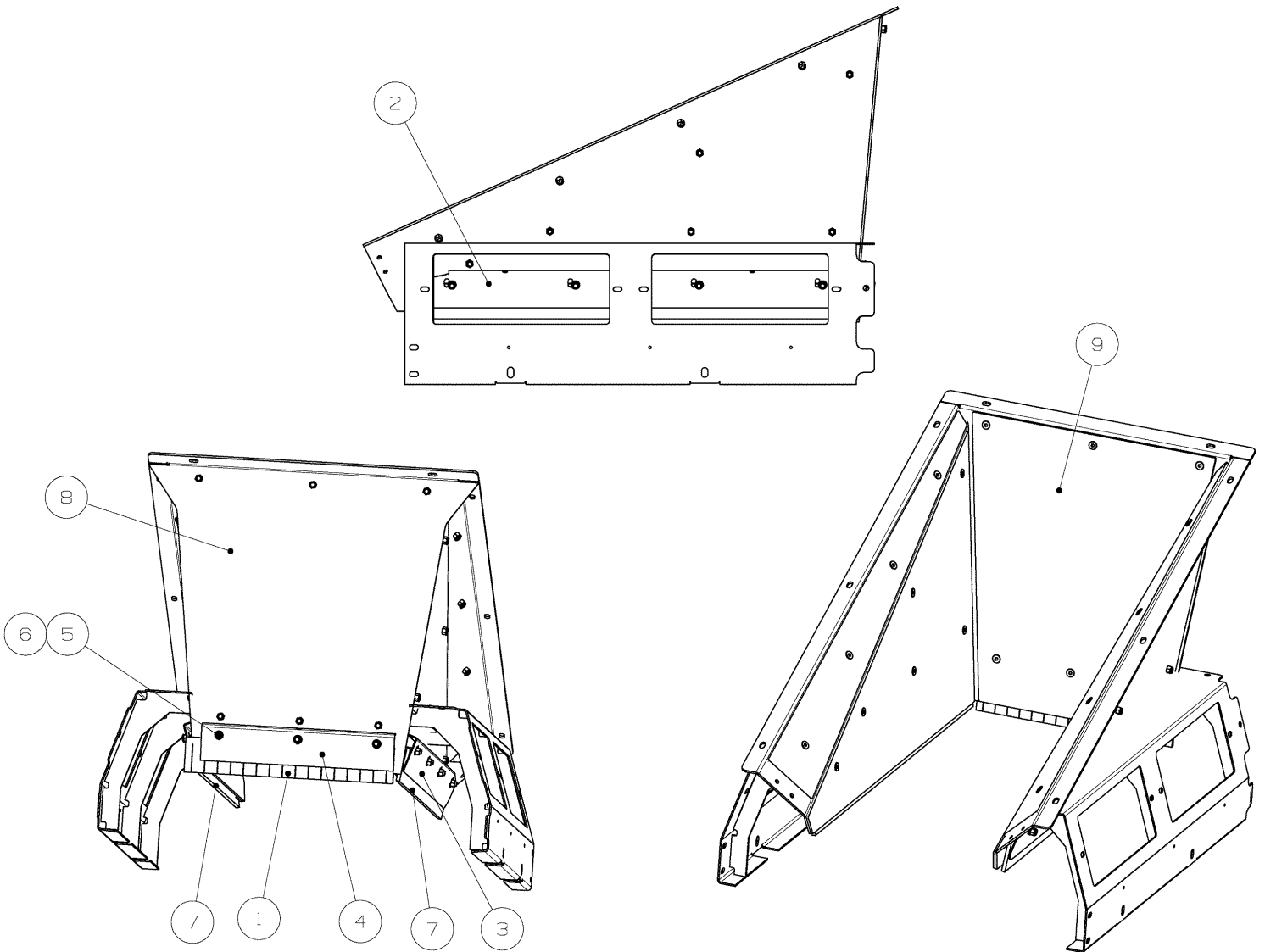




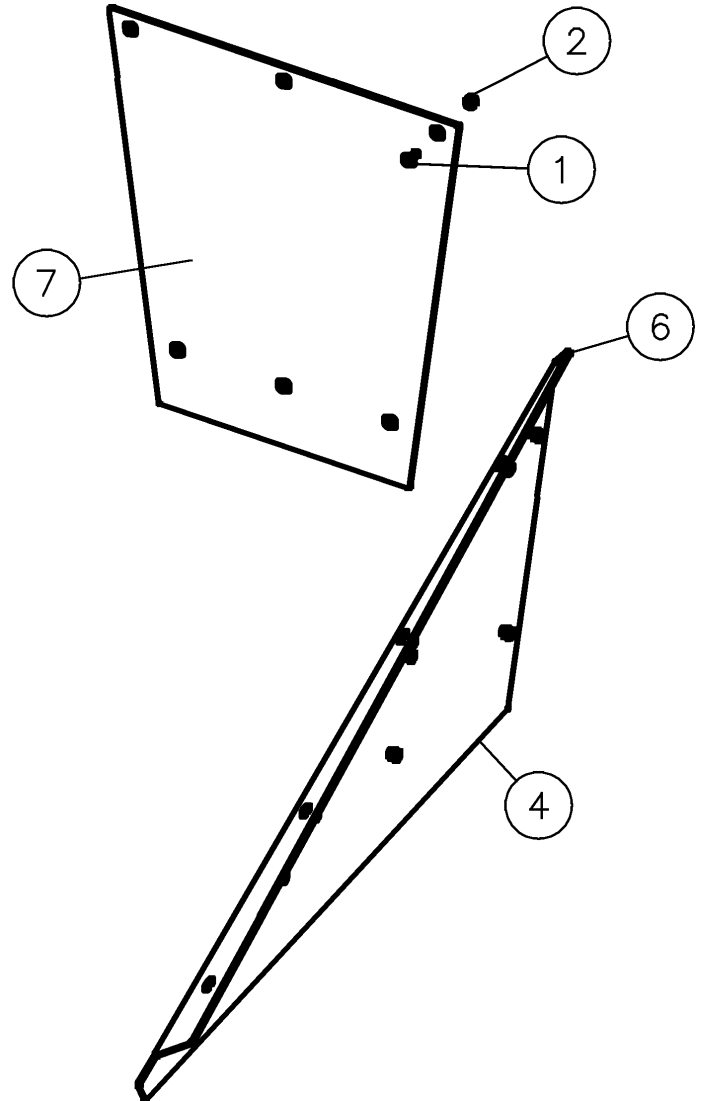
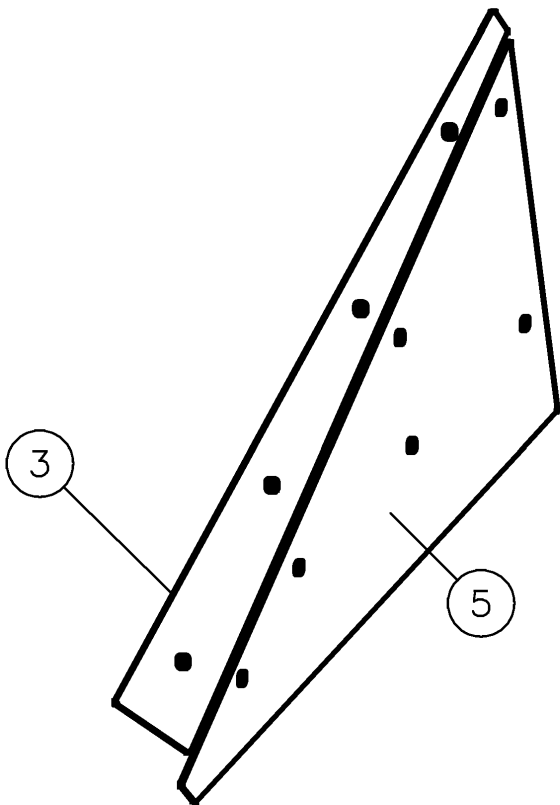


Lokotrack ST3.8 s/n 77916  
MM0555867\_0 GREASE HOSE

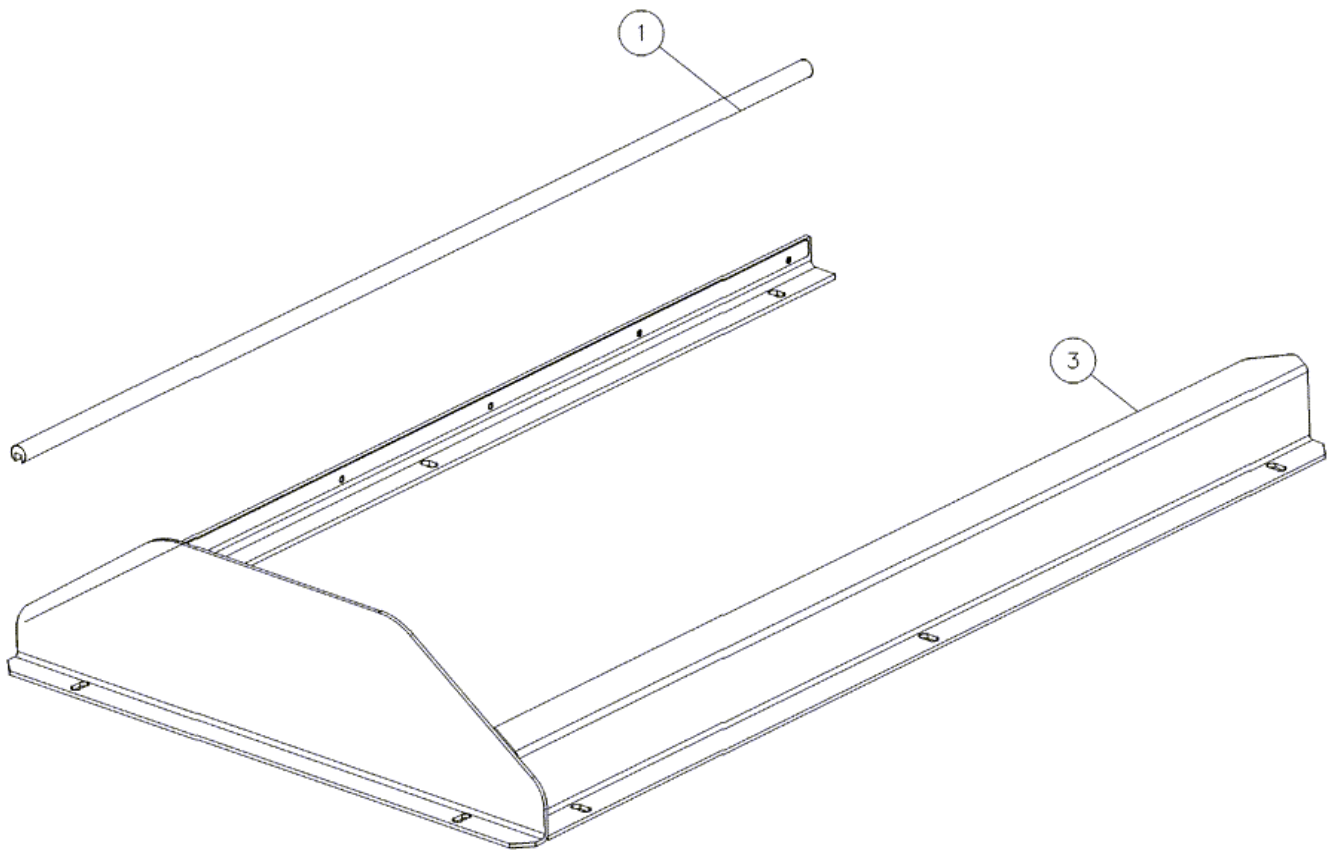
Pos.	Part No.	Description	Qty	Net Wght
1	MM0323087	HYDRAULIC HOSE	1	
2	706300790567	UNION	1	0.041
3	704501672010	GREASE NIPPLE	1	0.01
4	N02125889	WIRE MARKER	1	
5	MM0310096	ADAPTER, MEASURE	1	0.042
6	706300790056	CONNECTOR	1	0.02



Pos.	Part No.	Description	Qty	Net Wght	Page
1	M11611	RUBBER	1	0.53	
2	M01886-1	PLATE	1	3.56	
3	M02803-1	PLATE	1	3.56	
4	M11612	CLAMP	1	1.61	
5	7001570012	NUT, HEXAGONAL, TORQUE	11	0.010	
6	704006970000	WASHER, PLAIN	11	0.005	
7	M01885-1	WEAR RUBBER	2	1.15	
8	M11610	FRAME WELDING ASSEMBLY	1	153.14	
9	M11609	WEAR PLATE INSTALLATION	1	94	47



Pos.	Part No.	Description	Qty	Net Wght
1	7001550107	SCREW, HEXAGON SOCKET, COUNTERSUNK HEAD	26	0.020
2	7001570012	NUT, HEXAGONAL, TORQUE	26	0.010
3	M09750	PLATE	1	7.8
4	M09819	PLATE	1	26
5	M09748	PLATE	1	26
6	M09820	PLATE	1	7.8
7	M11613	WEAR PLATE	1	25

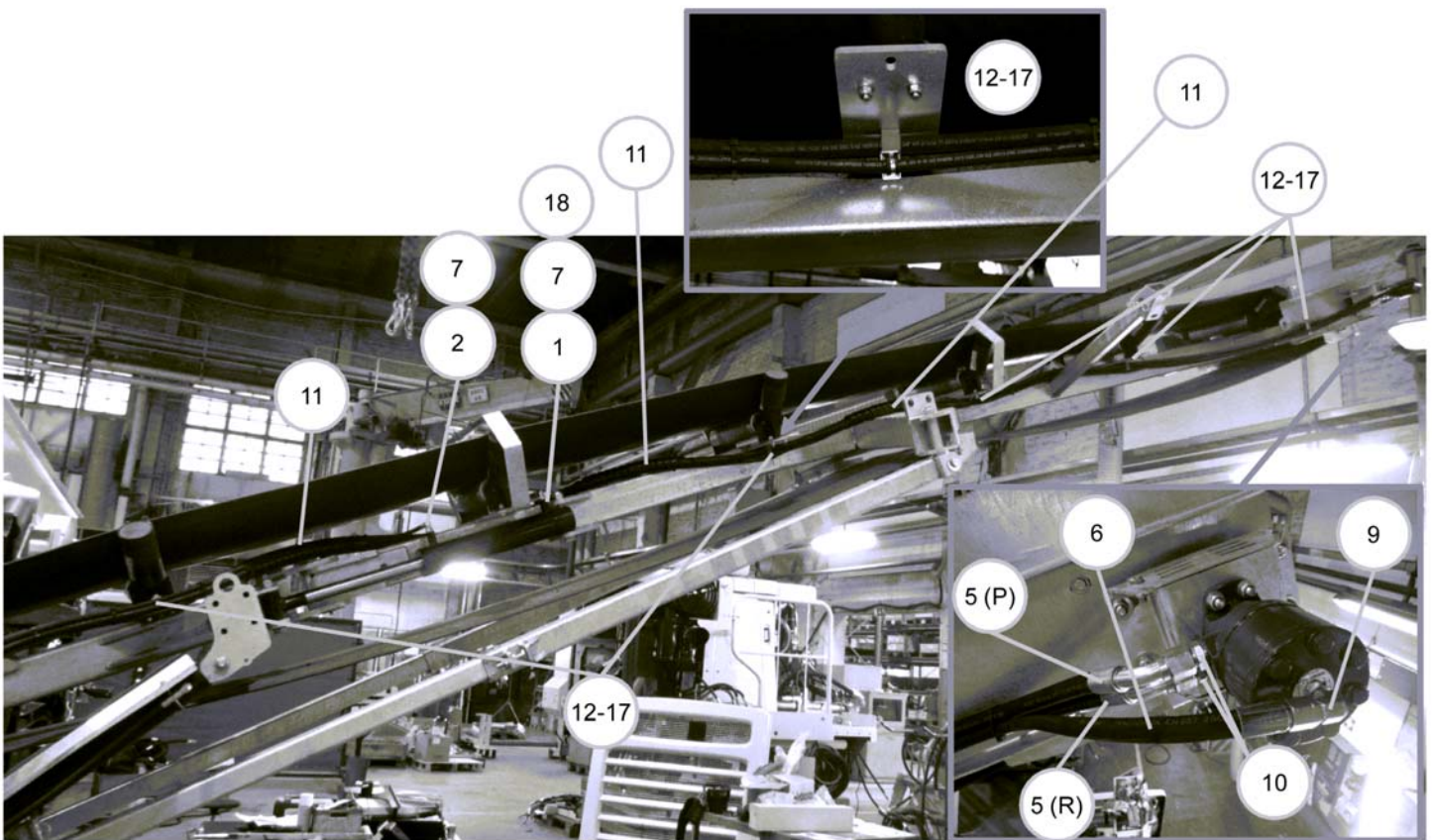




Lokotrack ST3.8 s/n 77916  
M11606\_0 CHUTE EXTENSION ASSEMBLY

Pos.	Part No.	Description	Qty	Net Wght
1	M09889	SUPPORT, RUBBER	1	1
2	M11607	EXTENSION	1	34

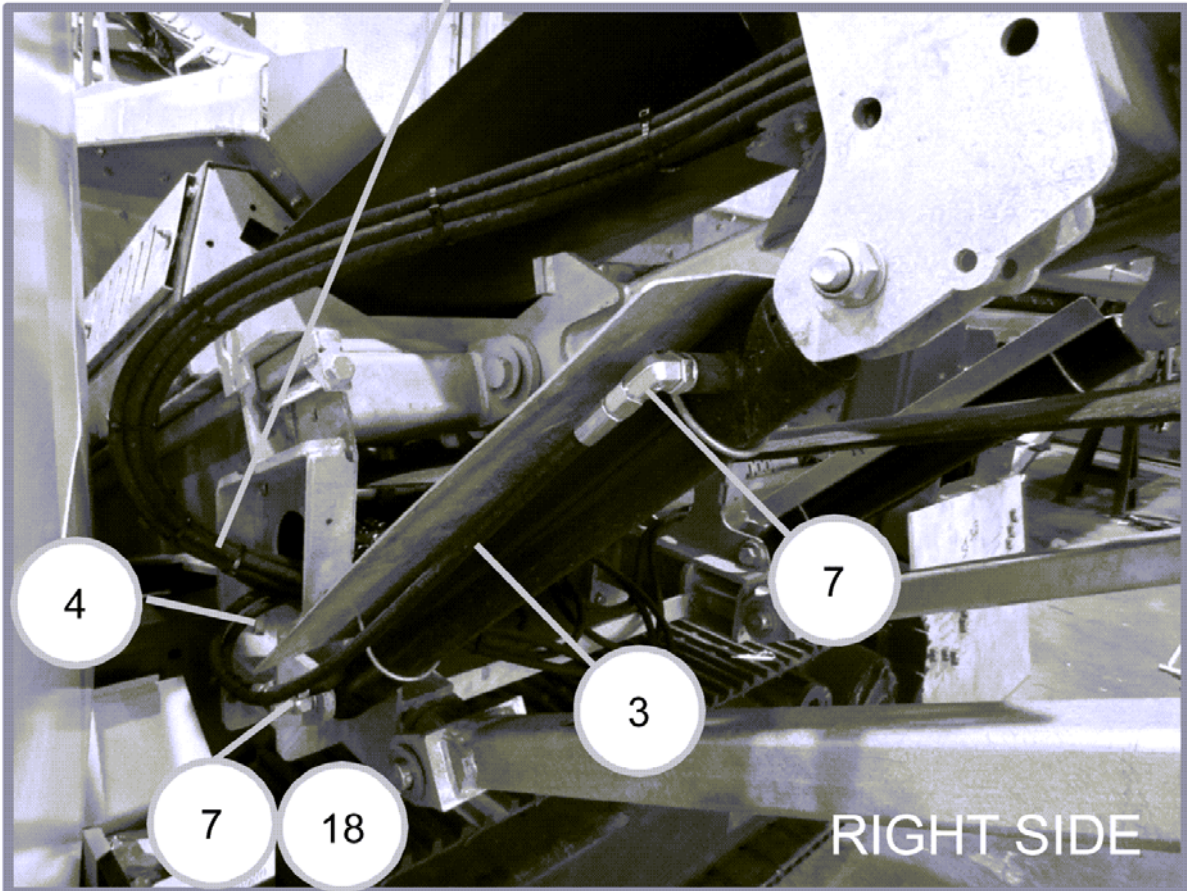
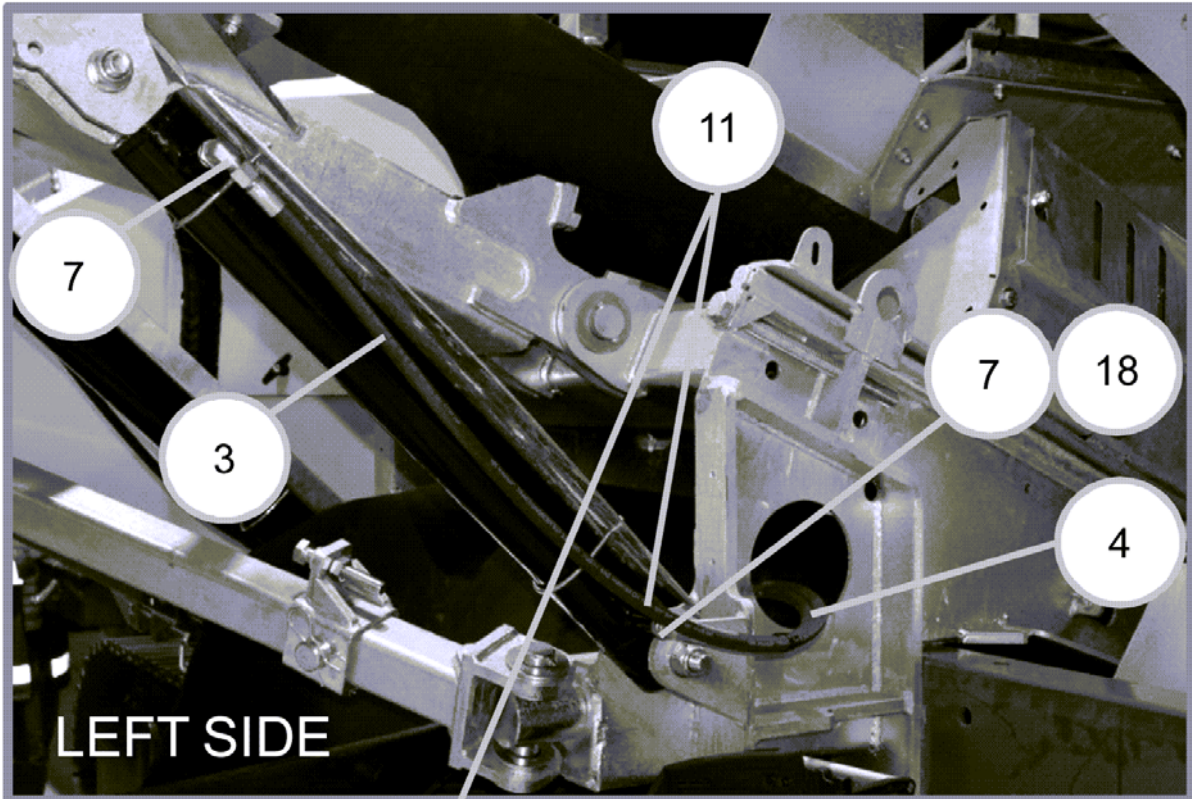






Lokotrack ST3.8 s/n 77916  
MM0395178\_0\_1 PIPING, HYDRAULIC

Pos.	Part No.	Description	Qty	Net Wght
1	N44450447	HYDRAULIC HOSE	1	2.1
2	MM0201071	HYDRAULIC HOSE	1	1.8
3	N44450695	HYDRAULIC HOSE	2	0.9
4	N44450755	HYDRAULIC HOSE	2	0.8
5	N44460627	HYDRAULIC HOSE	2	7.91
6	MM0395183	HYDRAULIC HOSE	1	
7	706300790009	ELBOW	6	0.15
9	706300790008	ELBOW	1	0.091
10	706300790069	CONNECTOR	2	0.11
11	MM0348841	PROTECTION SPIRAL	1	
12	706302546050	CLAMP, PIPE	6	0.01
13	N01530124	BOLT, HEXAGONAL	6	0.037
14	704203927080	NUT, HEXAGONAL, TORQUE	6	0.011
15	N01623108	WASHER, PLAIN	6	0.013
16	N02118994	COVERING PLATE	6	0.1
17	MM0336816	CLIP, RETAINING	6	.02
18	N02456150	HOSE BURST VALVE	3	0.02

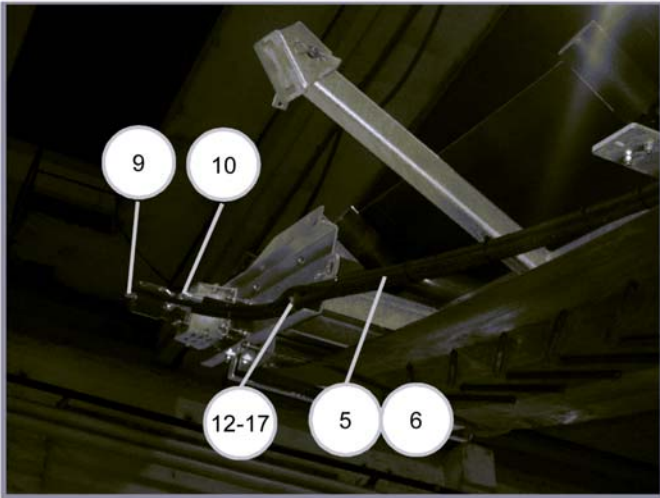






Lokotrack ST3.8 s/n 77916  
MM0395178\_0\_2 PIPING, HYDRAULIC

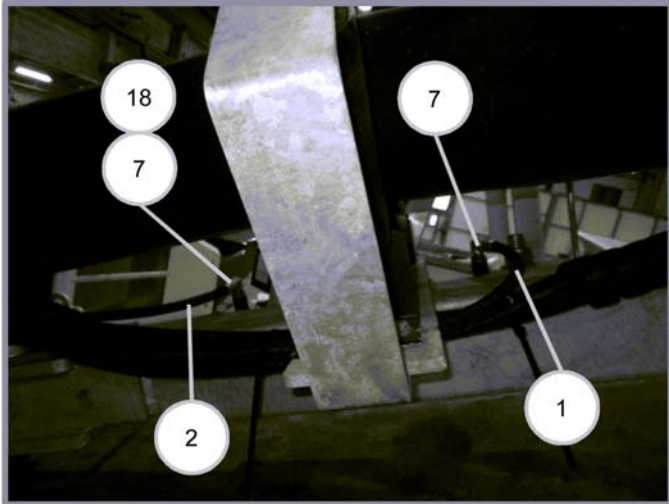
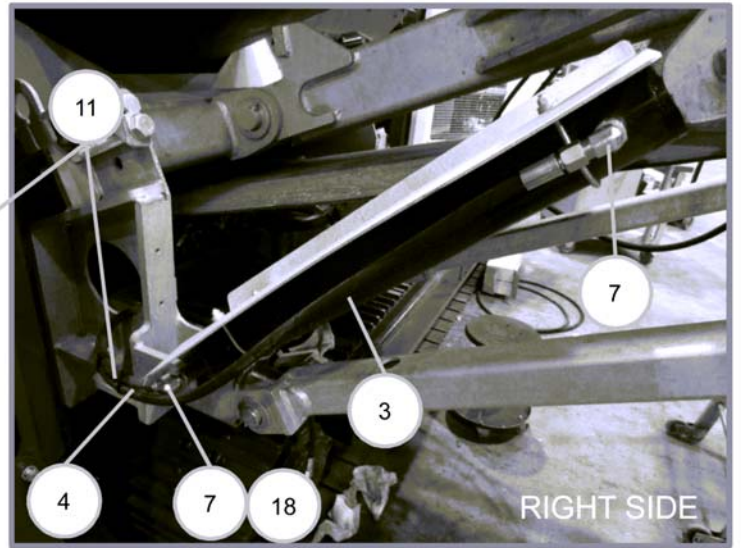
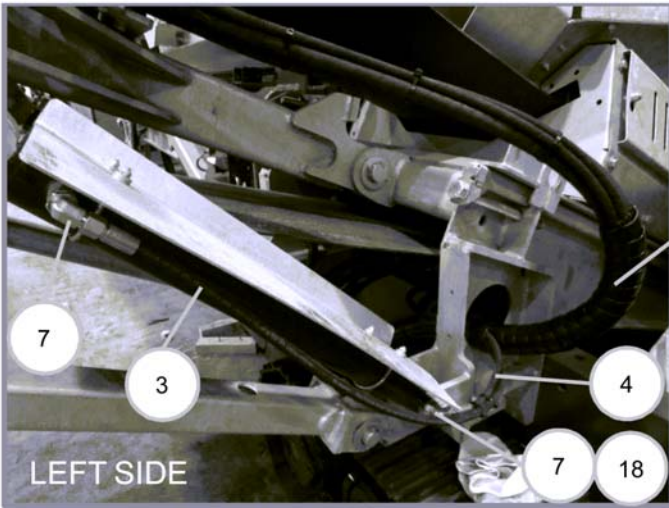
Pos.	Part No.	Description	Qty	Net Wght
1	N44450447	HYDRAULIC HOSE	1	2.1
2	MM0201071	HYDRAULIC HOSE	1	1.8
3	N44450695	HYDRAULIC HOSE	2	0.9
4	N44450755	HYDRAULIC HOSE	2	0.8
5	N44460627	HYDRAULIC HOSE	2	7.91
6	MM0395183	HYDRAULIC HOSE	1	
7	706300790009	ELBOW	6	0.15
9	706300790008	ELBOW	1	0.091
10	706300790069	CONNECTOR	2	0.11
11	MM0348841	PROTECTION SPIRAL	1	
12	706302546050	CLAMP, PIPE	6	0.01
13	N01530124	BOLT, HEXAGONAL	6	0.037
14	704203927080	NUT, HEXAGONAL, TORQUE	6	0.011
15	N01623108	WASHER, PLAIN	6	0.013
16	N02118994	COVERING PLATE	6	0.1
17	MM0336816	CLIP, RETAINING	6	.02
18	N02456150	HOSE BURST VALVE	3	0.02





Lokotrack ST3.8 s/n 77916  
MM0395178\_0\_3 PIPING, HYDRAULIC

Pos.	Part No.	Description	Qty	Net Wght
1	N44450447	HYDRAULIC HOSE	1	2.1
2	MM0201071	HYDRAULIC HOSE	1	1.8
3	N44450695	HYDRAULIC HOSE	2	0.9
4	N44450755	HYDRAULIC HOSE	2	0.8
5	N44460627	HYDRAULIC HOSE	2	7.91
6	MM0395183	HYDRAULIC HOSE	1	
7	706300790009	ELBOW	6	0.15
9	706300790008	ELBOW	1	0.091
10	706300790069	CONNECTOR	2	0.11
11	MM0348841	PROTECTION SPIRAL	1	
12	706302546050	CLAMP, PIPE	6	0.01
13	N01530124	BOLT, HEXAGONAL	6	0.037
14	704203927080	NUT, HEXAGONAL, TORQUE	6	0.011
15	N01623108	WASHER, PLAIN	6	0.013
16	N02118994	COVERING PLATE	6	0.1
17	MM0336816	CLIP, RETAINING	6	.02
18	N02456150	HOSE BURST VALVE	3	0.02

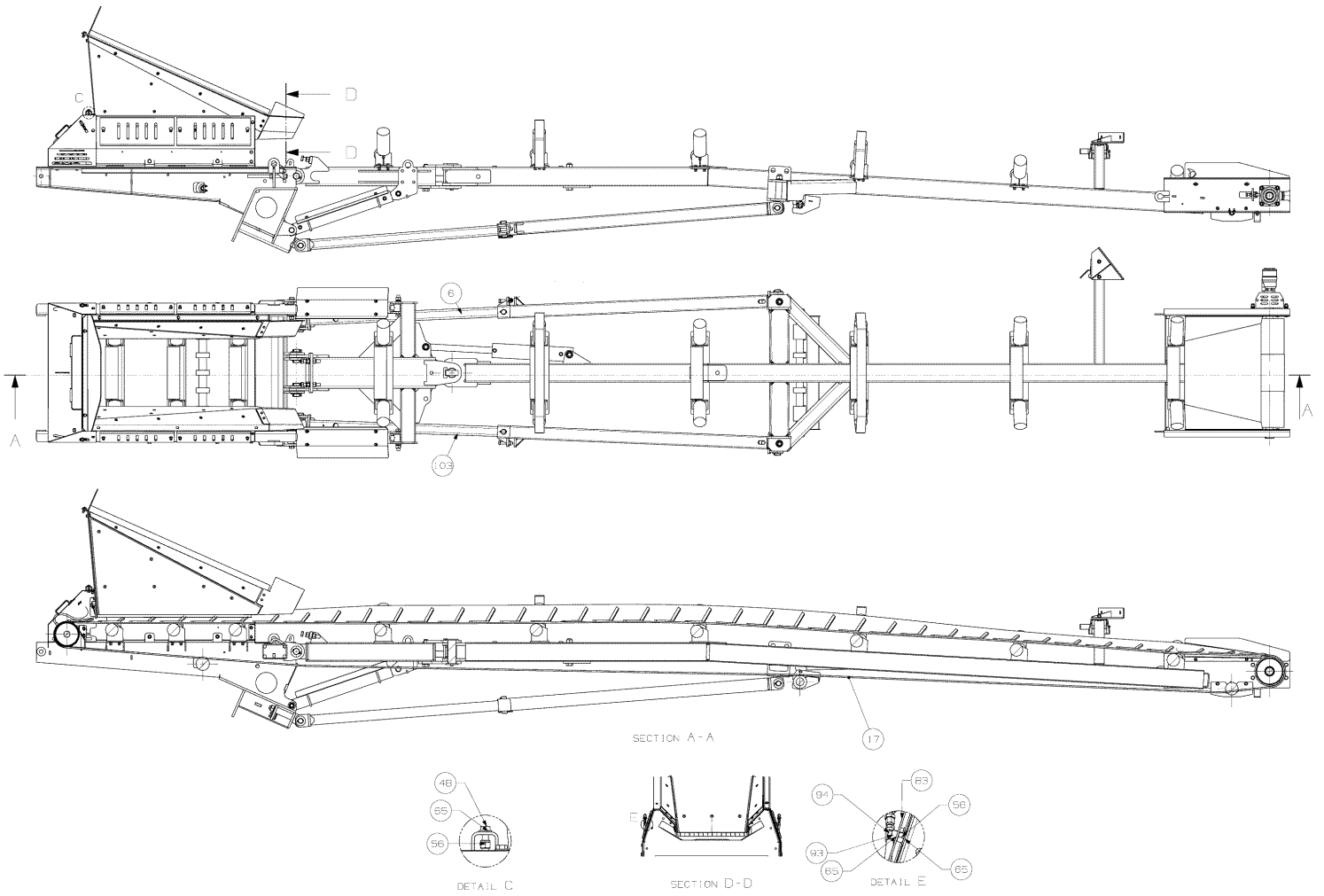


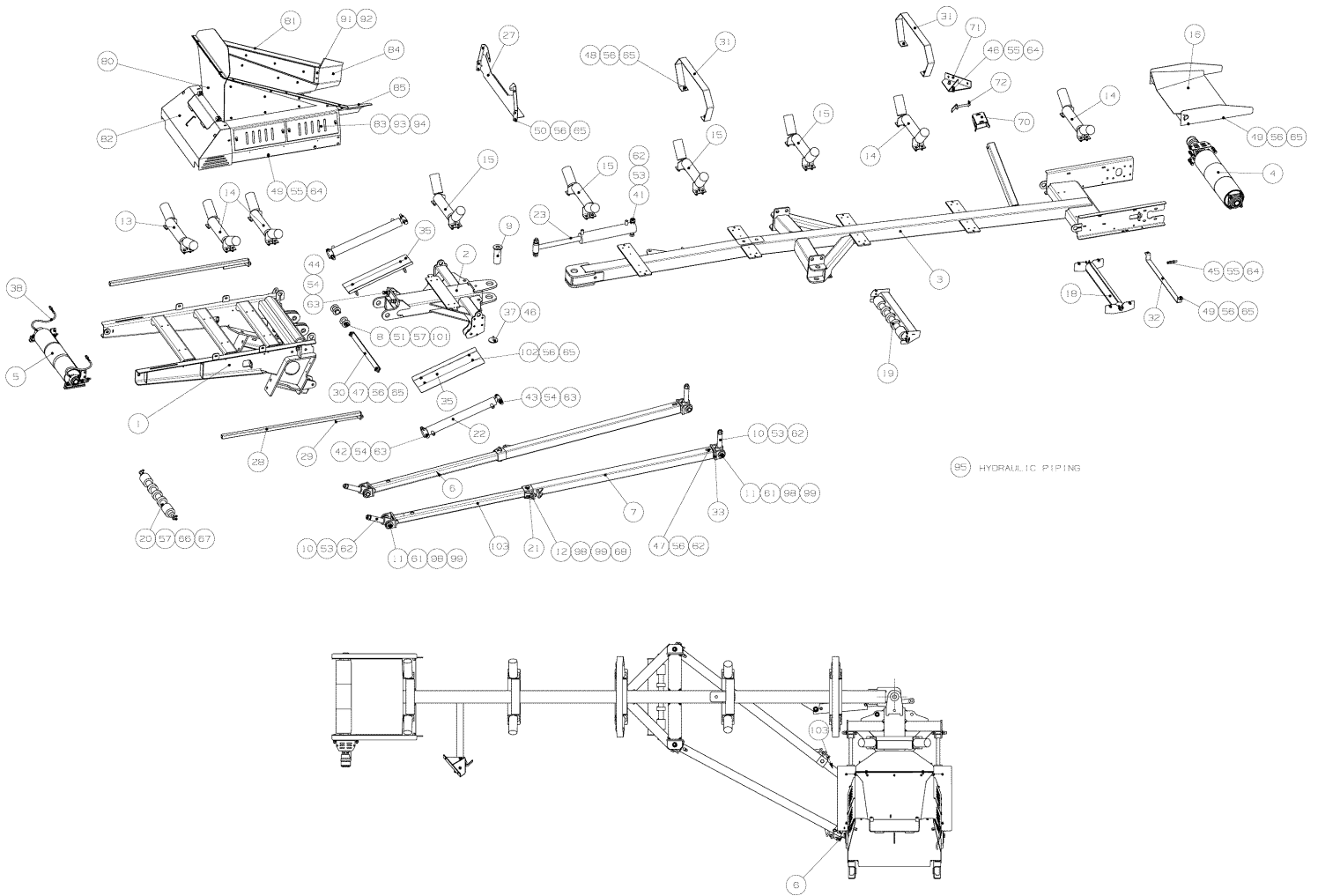


Lokotrack ST3.8 s/n 77916  
MM0395178\_0\_4 PIPING, HYDRAULIC

Pos.	Part No.	Description	Qty	Net Wght
1	N44450447	HYDRAULIC HOSE	1	2.1
2	MM0201071	HYDRAULIC HOSE	1	1.8
3	N44450695	HYDRAULIC HOSE	2	0.9
4	N44450755	HYDRAULIC HOSE	2	0.8
5	N44460627	HYDRAULIC HOSE	2	7.91
6	MM0395183	HYDRAULIC HOSE	1	
7	706300790009	ELBOW	6	0.15
9	706300790008	ELBOW	1	0.091
10	706300790069	CONNECTOR	2	0.11
11	MM0348841	PROTECTION SPIRAL	1	
12	706302546050	CLAMP, PIPE	6	0.01
13	N01530124	BOLT, HEXAGONAL	6	0.037
14	704203927080	NUT, HEXAGONAL, TORQUE	6	0.011
15	N01623108	WASHER, PLAIN	6	0.013
16	N02118994	COVERING PLATE	6	0.1
17	MM0336816	CLIP, RETAINING	6	.02
18	N02456150	HOSE BURST VALVE	3	0.02









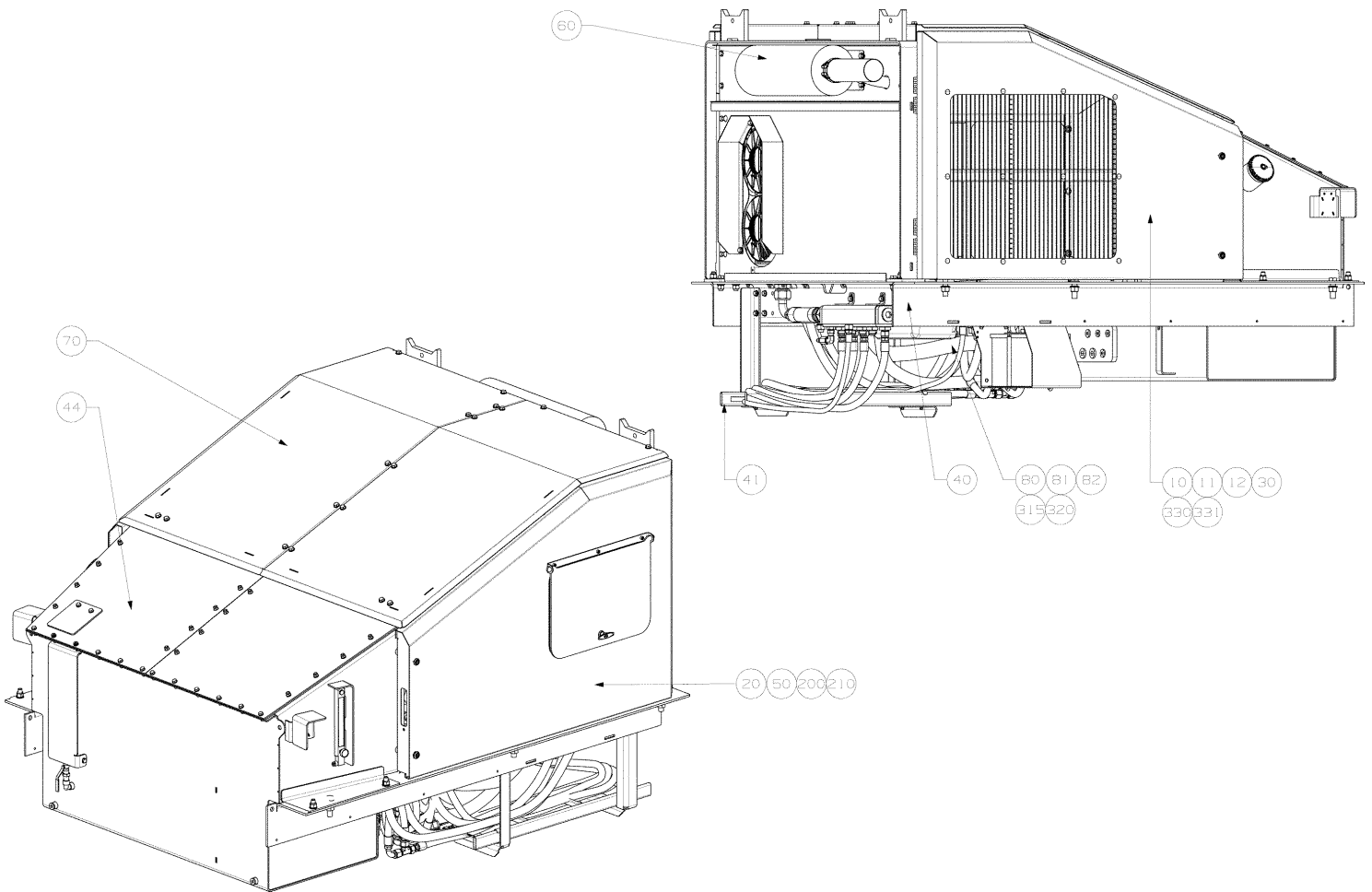
Lokotrack ST3.8 s/n 77916  
MM0561527\_9 BELT CONVEYOR

Pos.	Part No.	Description	Qty	Net Wght	Page
01	MM0558498	FRAME WELDING	1	283.08	
02	MM0558603	FRAME WELDING	1	146.21	
03	MM0561531	FRAME WELDING	1	371.23	
04	MM0543461	DRIVE DEVICE	1	79	37
05	MM0560981	IDLER	1	65.13	38
06	MM0561246	SUPPORT WELDING	1	35.45	
07	MM0551959	SUPPORT WELDING	2	39.21	
08	MM0581363	AXLE	2	1.61	
09	MM1035944	JOINT PIN	1	6.95	
10	MM0556132	PIN	4	5.76	
11	MM0556144	PIN	4	1.86	
12	MM0556149	PIN	2	1.32	
13	MM0267853	ROLLER ASSEMBLY	1	13	39
14	MM0267854	ROLLER ASSEMBLY	4	13	40
15	MM0267855	ROLLER ASSEMBLY	4	13	41
16	M11589	BELT GUARD	1	29	
17	N03005030	CONVEYOR BELT	1	160	
18	MM0559005	ROLLER ASSEMBLY	1	14	42
19	MM0559261	RETURN ROLLER ASSEMBLY	1	14.3	43
20	MM0264890	ROLLER, RETURN	1	9.62	
21	M09868	BRACKET	2	2.99	
22	MM0534133	CYLINDER, HYDRAULIC	2	25	
23	MM0237496	CYLINDER, HYDRAULIC	1	29.8	44
27	MM0559731	PLATE	1	9.22	
28	MM0550915	ADJUSTMENT ROD	2	7.24	
29	M01870-1	SCREW, ADJUSTING	2	1.361	
30	MM0559594	PLATE	1	3.42	
31	M11572	PLATE	2	6.2	
32	MM0559030	PLATE	1	2.24	
33	MM0532666	SUPPORT	2	4.16	
35	MM0581788	PLATE	2	5.15	
37	MM0536706	PLATE	1	.48	
38	MM0555867	GREASE HOSE	2	.11	45
41	N01530635	BOLT, HEXAGONAL	2	1.310	
42	N01530556	BOLT, HEXAGONAL	2	0.740	
43	N01530550	BOLT, HEXAGONAL	2	0.700	
44	N01530533	BOLT, HEXAGONAL	2	0.600	
45	7001530329	SCREW, HEXAGONAL	1	0.200	
46	N01530313	BOLT, HEXAGONAL	7	.102	
47	N01530204	SCREW, HEXAGONAL	8	0.050	
49	N01530197	BOLT, HEXAGONAL	12	0.05	
50	N01530194	SCREW, HEXAGONAL	10	0.037	
51	7001530118	SCREW, HEXAGONAL	4	0.027	
53	704203927300	NUT, HEXAGONAL, TORQUE	6	0.220	
54	704203927240	NUT, HEXAGONAL, TORQUE	8	0.100	
55	704203927160	NUT, HEXAGONAL, TORQUE	8	0.035	
56	704203927120	NUT, HEXAGONAL, TORQUE	49	0.010	
57	704203927080	NUT, HEXAGONAL, TORQUE	8	0.011	
61	704007330000	WASHER, PLAIN	24	0.180	
62	704007270000	WASHER, PLAIN	14	0.060	
63	704007190000	WASHER, PLAIN	12	0.030	
64	N01626516	WASHER, PLAIN	12	0.012	
65	704006970000	WASHER, PLAIN	85	0.005	
66	MM0360001	WASHER	4	.011	
67	N01841013	U-BOLT	2	0.05	
68	706303524120	PIN, SPRING	2	0.05	
70	M11645	SUPPORT ASSEMBLY	1	4	
71	M11697	BRACKET	1	3.96	
72	M04849-09	PIN	1	0.634	
80	M11608	HOPPER	1	211	46
81	M11629	EXTENSION	1	17	
82	MM0263126	GUARD	1	21.25	
83	MM0316938	COVER PLATE	4	3.34	
84	N11904041	PLATE	1	3.58	

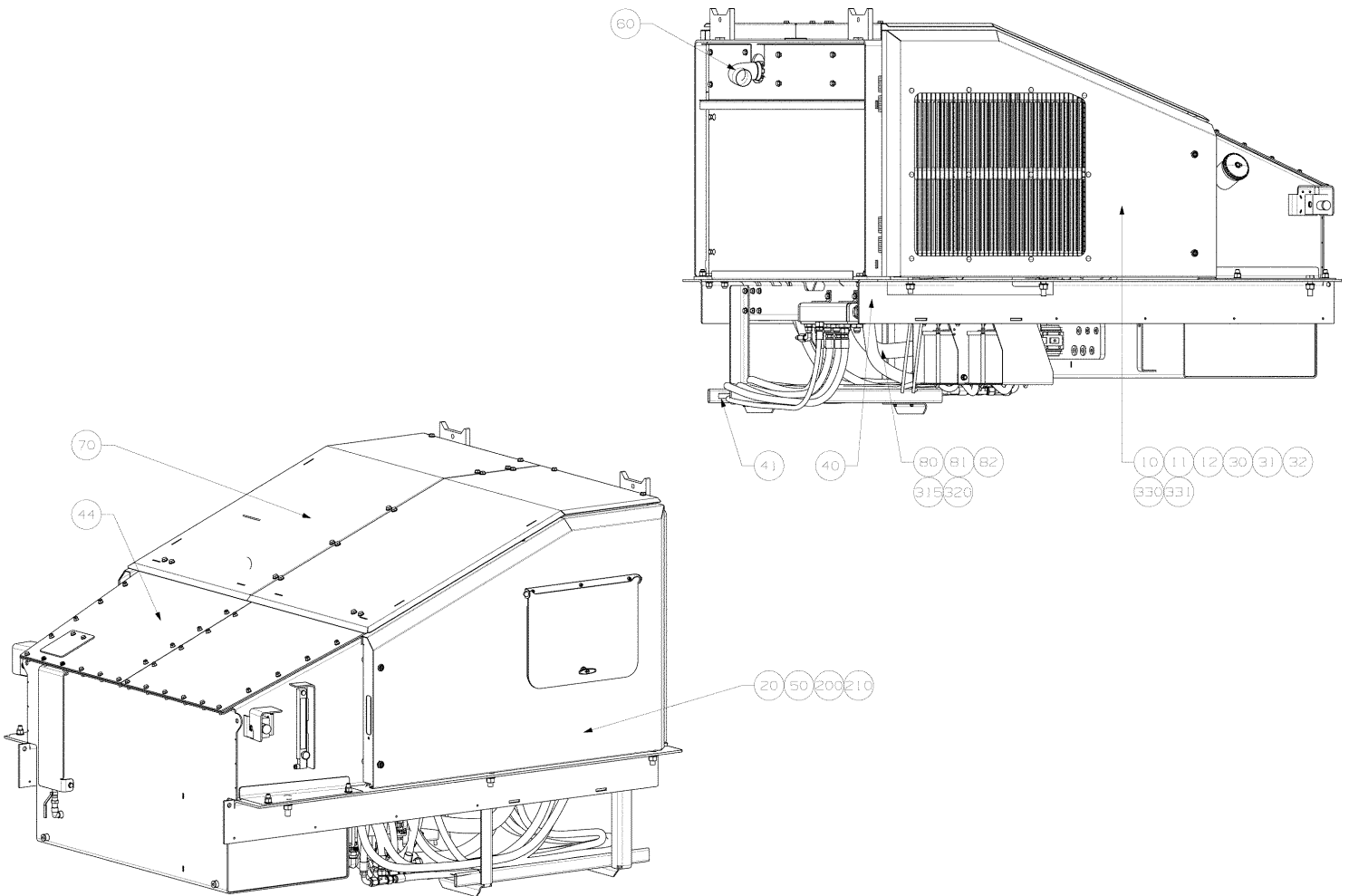


Lokotrack ST3.8 s/n 77916  
MM0561527\_9 BELT CONVEYOR

Pos.	Part No.	Description	Qty	Net Wght	Page
85	M09885	EXTENSION PART	1	3.29	
91	N01530136	SCREW, HEXAGONAL	4	0.020	
92	N01570210	NUT, HEXAGONAL, TORQUE	4	0.013	
93	704202205000	NUT, HEXAGONAL	8	0.017	
94	7001530198	SCREW, HEXAGONAL	17	0.046	
95	MM0395178	PIPING, HYDRAULIC	1		49
98	N01530068	BOLT, HEXAGONAL	10	0.012	
99	704203927060	NUT, HEXAGONAL, TORQUE	10	0.010	
101	MM0581374	PLATE	4	.1	
102	704700300090	U-BOLT	4	.23	
103	MM1011946	SUPPORT WELDING	1	36.79	

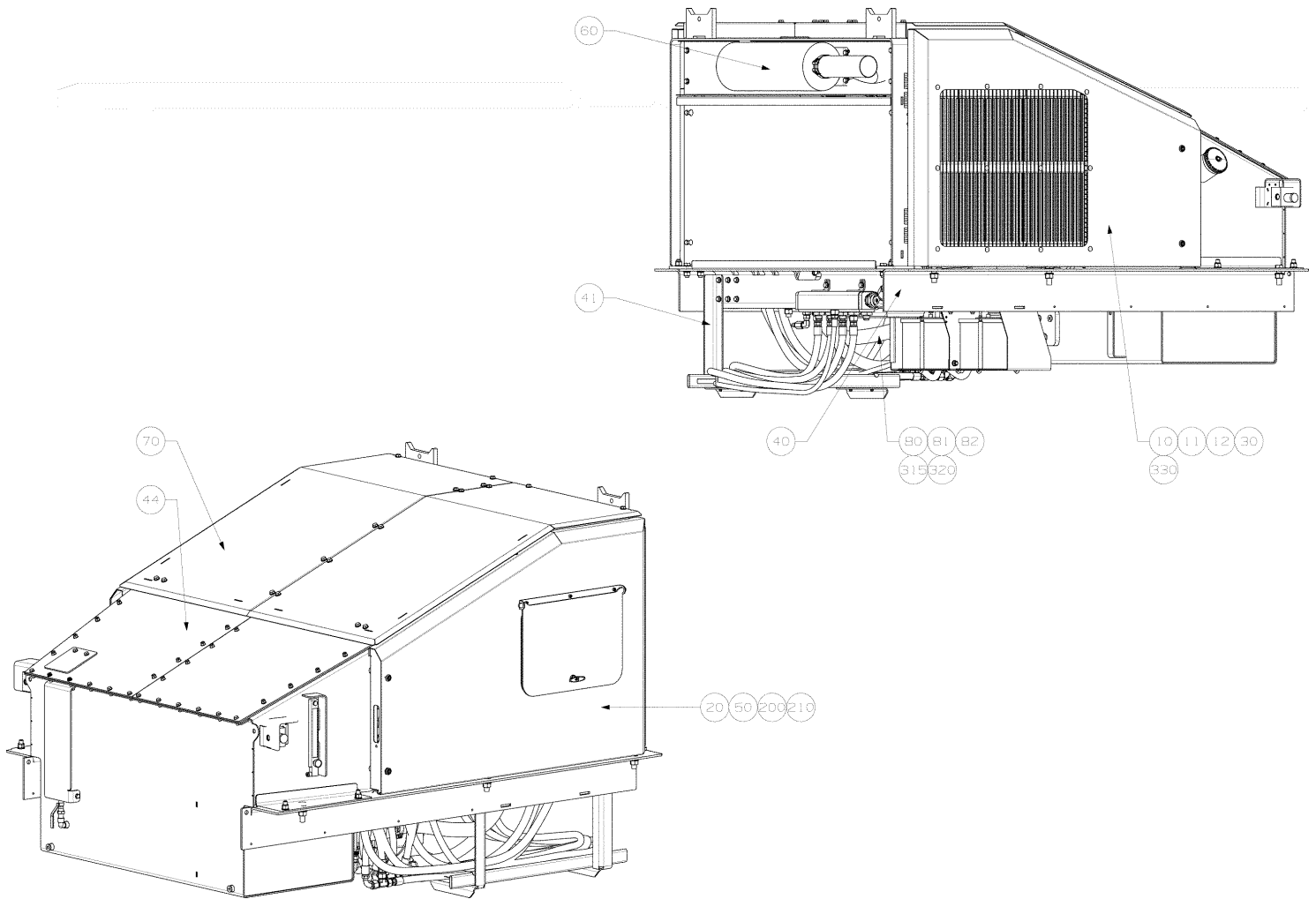


Pos.	Part No.	Description	Qty	Net Wght	Page
10	MM1037437	DIESEL ENGINE	1	360	52
11	MM1044249	ENGINE INSTALLATION	1	13.28	53
12	MM1044262	PIPING	1	4	54
13	MM1044620	PIPING	1	1.56	55
20	MM0542694	PUMP INSTALLATION	1	21.27	56
30	MM1022370	COOLER INSTALLATION	1	263.32	57
31	MM0368517	IMPELLER	1	6.500	
32	MM0557473	HYDRAULIC HOSES INSTALLATION	1	15	59
40	MM0542703	FRAME ASSEMBLY	1	221.6	
41	MM0553116	RAIL ASSEMBLY	1	4.39	
44	MM0542700	TANK INSTALLATION	1	318	60
50	MM1022535	AIR FILTER INSTALLATION	1	11.24	65
60	MM0559527	EXHAUST PIPE INSTALLATION	1	20.62	67
61	MM0586937	OUTLET PIPE	1	1.55	68
70	MM0565584	COVERING ASSEMBLY	1	141.9995	69
80	MM1048258	HYDRAULICS ASSEMBLY	1	150.69	70
81	MM0564159	HYDRAULICS ASSEMBLY	1	42.53	75
82	MM1048246	HYDRAULICS ASSEMBLY	1	14.35	76
83	MM1051128	HYDRAULICS ASSEMBLY	1	1.28	77
200	MM0373502	ELECTRIFICATION	1		78
210	MM1045140	ELECTRICAL INSTALLATION	1	37.18	
220	MM1044258	BATTERY INSTALLATION	1	56.16	
305	MM1045457	COOLANT	1	1	
306	MM0351968	OIL	1		
308	N07500715	HYDRAULIC OIL	1		
330	MM1040065	POWER TAKE-OFF	1	44.7	83
332	MM0414517	ELECTRIFICATION	1		84
	MM0414518	ELECTRIFICATION	1		86

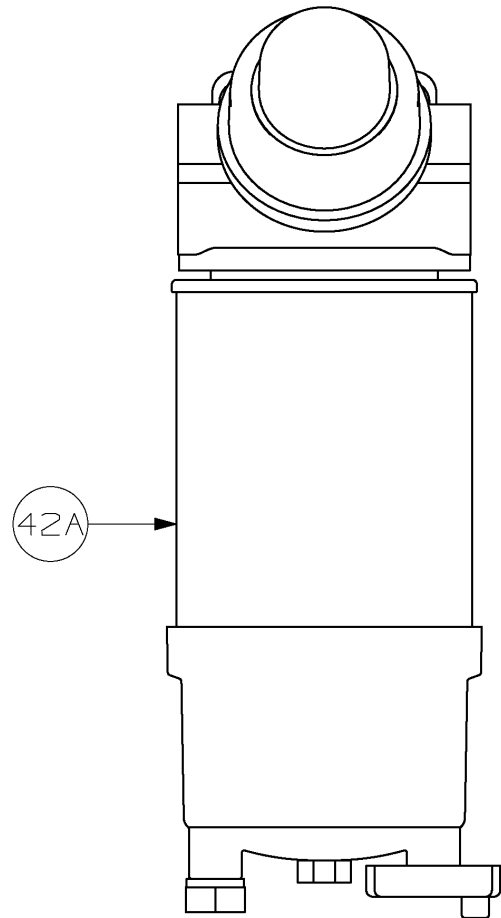
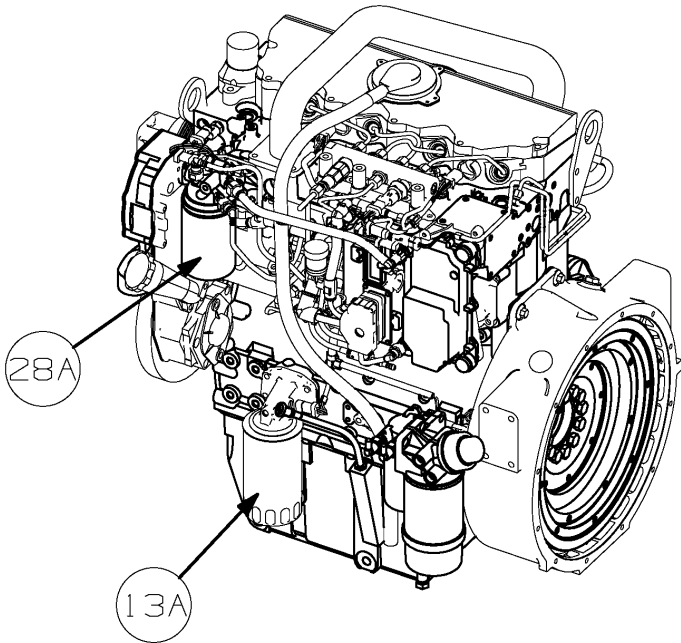
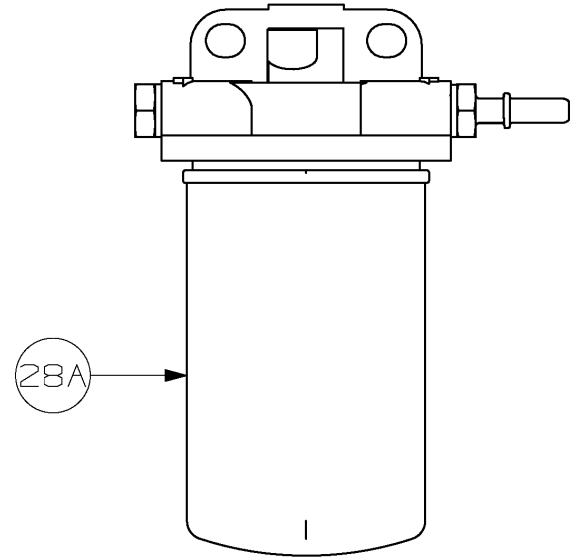
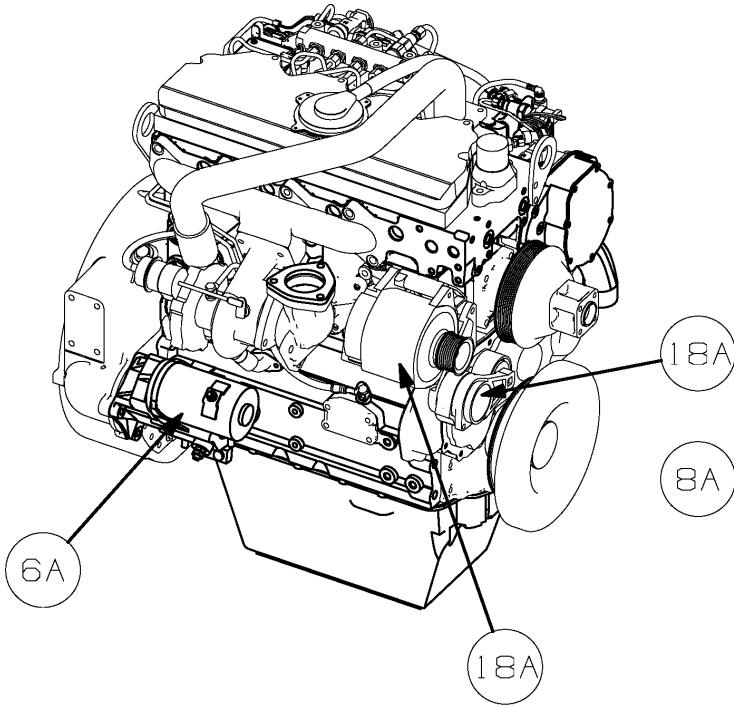


Pos.	Part No.	Description	Qty	Net Wght	Page
10	MM1037437	DIESEL ENGINE	1	360	52
11	MM1044249	ENGINE INSTALLATION	1	13.28	53
12	MM1044262	PIPING	1	4	54
13	MM1044620	PIPING	1	1.56	55
20	MM0542694	PUMP INSTALLATION	1	21.27	56
30	MM1022370	COOLER INSTALLATION	1	263.32	57
31	MM0368517	IMPELLER	1	6.500	
32	MM0557473	HYDRAULIC HOSES INSTALLATION	1	15	59
40	MM0542703	FRAME ASSEMBLY	1	221.6	
41	MM0553116	RAIL ASSEMBLY	1	4.39	
44	MM0542700	TANK INSTALLATION	1	318	60
50	MM1022535	AIR FILTER INSTALLATION	1	11.24	65
60	MM0559527	EXHAUST PIPE INSTALLATION	1	20.62	67
61	MM0586937	OUTLET PIPE	1	1.55	68
70	MM0565584	COVERING ASSEMBLY	1	141.9995	69
80	MM1048258	HYDRAULICS ASSEMBLY	1	150.69	70
81	MM0564159	HYDRAULICS ASSEMBLY	1	42.53	75
82	MM1048246	HYDRAULICS ASSEMBLY	1	14.35	76
83	MM1051128	HYDRAULICS ASSEMBLY	1	1.28	77
200	MM0373502	ELECTRIFICATION	1		78
210	MM1045140	ELECTRICAL INSTALLATION	1	37.18	
220	MM1044258	BATTERY INSTALLATION	1	56.16	
305	MM1045457	COOLANT	1	1	
306	MM0351968	OIL	1		
308	N07500715	HYDRAULIC OIL	1		
330	MM1040065	POWER TAKE-OFF	1	44.7	83
332	MM0414517	ELECTRIFICATION	1		84
	MM0414518	ELECTRIFICATION	1		86





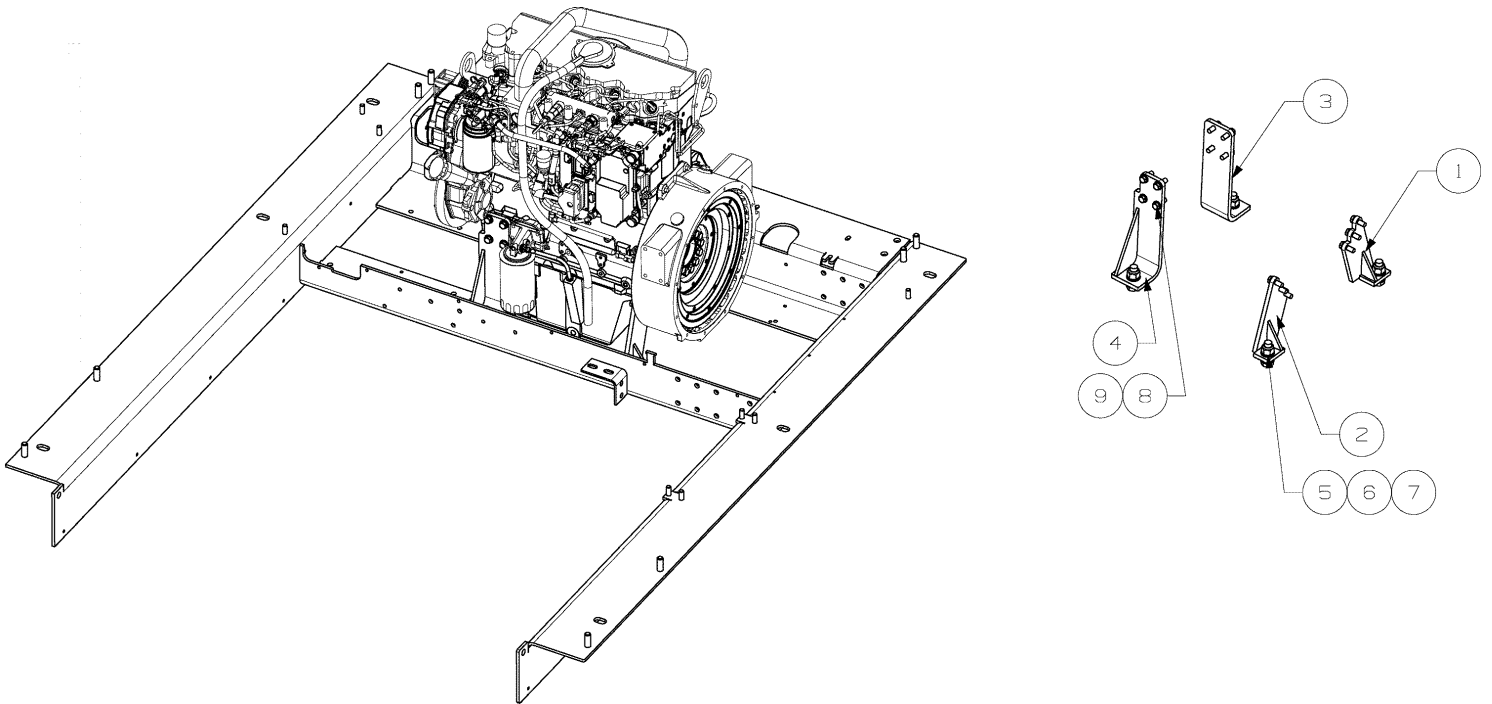
Pos.	Part No.	Description	Qty	Net Wght	Page
10	MM1037437	DIESEL ENGINE	1	360	52
11	MM1044249	ENGINE INSTALLATION	1	13.28	53
12	MM1044262	PIPING	1	4	54
13	MM1044620	PIPING	1	1.56	55
20	MM0542694	PUMP INSTALLATION	1	21.27	56
30	MM1022370	COOLER INSTALLATION	1	263.32	57
31	MM0368517	IMPELLER	1	6.500	
32	MM0557473	HYDRAULIC HOSES INSTALLATION	1	15	59
40	MM0542703	FRAME ASSEMBLY	1	221.6	
41	MM0553116	RAIL ASSEMBLY	1	4.39	
44	MM0542700	TANK INSTALLATION	1	318	60
50	MM1022535	AIR FILTER INSTALLATION	1	11.24	65
60	MM0559527	EXHAUST PIPE INSTALLATION	1	20.62	67
61	MM0586937	OUTLET PIPE	1	1.55	68
70	MM0565584	COVERING ASSEMBLY	1	141.9995	69
80	MM1048258	HYDRAULICS ASSEMBLY	1	150.69	70
81	MM0564159	HYDRAULICS ASSEMBLY	1	42.53	75
82	MM1048246	HYDRAULICS ASSEMBLY	1	14.35	76
83	MM1051128	HYDRAULICS ASSEMBLY	1	1.28	77
200	MM0373502	ELECTRIFICATION	1		78
210	MM1045140	ELECTRICAL INSTALLATION	1	37.18	
220	MM1044258	BATTERY INSTALLATION	1	56.16	
305	MM1045457	COOLANT	1	1	
306	MM0351968	OIL	1		
308	N07500715	HYDRAULIC OIL	1		
330	MM1040065	POWER TAKE-OFF	1	44.7	83
332	MM0414517	ELECTRIFICATION	1		84
	MM0414518	ELECTRIFICATION	1		86



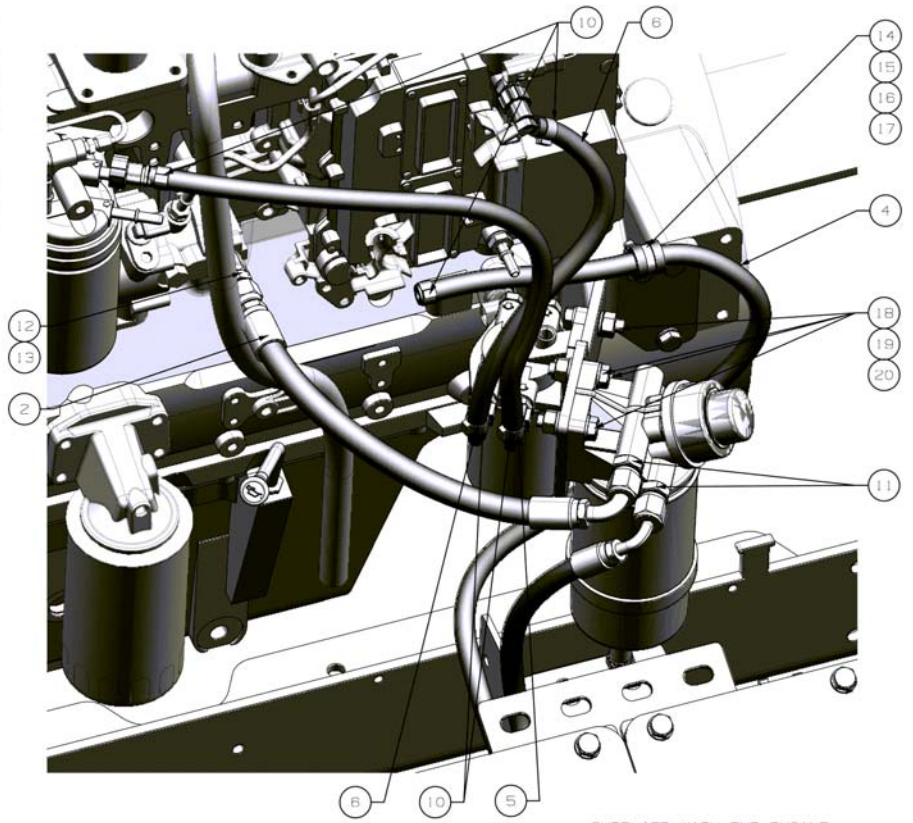
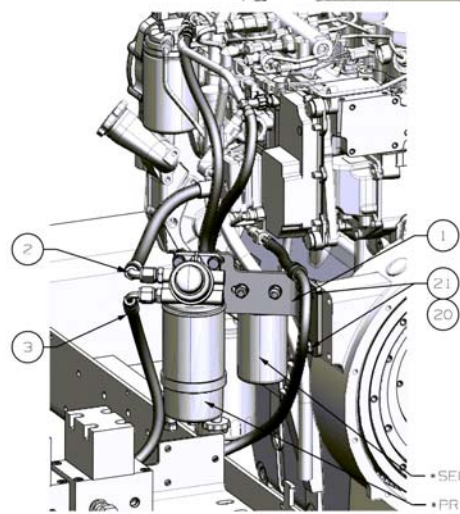
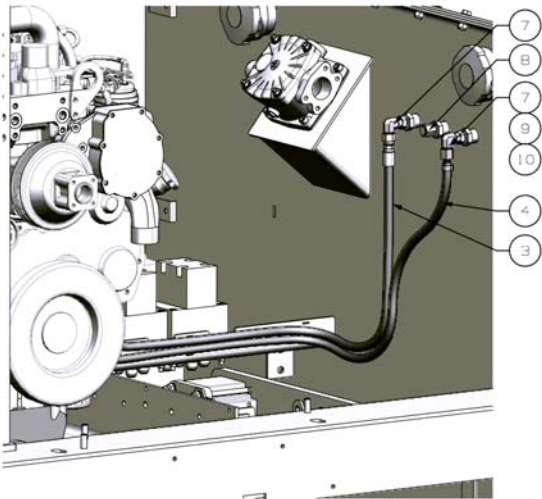


Lokotrack ST3.8 s/n 77916  
MM1037437\_0 DIESEL ENGINE

Pos.	Part No.	Description	Qty	Net Wght
6A	MM0269729	STARTING DEVICE	1	7
8A	MM0407443	BELT	1	.3
13A	MM0300210	FILTER, OIL	1	0.6
18A	MM0407441	ALTERNATOR	1	6.6
18B	MM0397068	TENSIONER	1	1
28A	MM0246847	FILTER ELEMENT	2	0.55
42A	MM0285276	FUEL FILTER	1	0.66



Pos.	Part No.	Description	Qty	Net Wght
1	MM0567920	REAR FOOT	1	1.84
2	MM0567921	REAR FOOT	1	1.84
3	MM0567917	FRONT FOOT	1	3.82
4	MM0567915	FRONT FOOT	1	3.7
5	704007130000	WASHER, PLAIN	8	0.020
6	N01530001	BOLT, HEXAGONAL	4	.19
7	7001570020	NUT, HEXAGONAL, TORQUE	4	0.100
8	N01530197	BOLT, HEXAGONAL	14	0.05
9	704006970000	WASHER, PLAIN	14	0.005



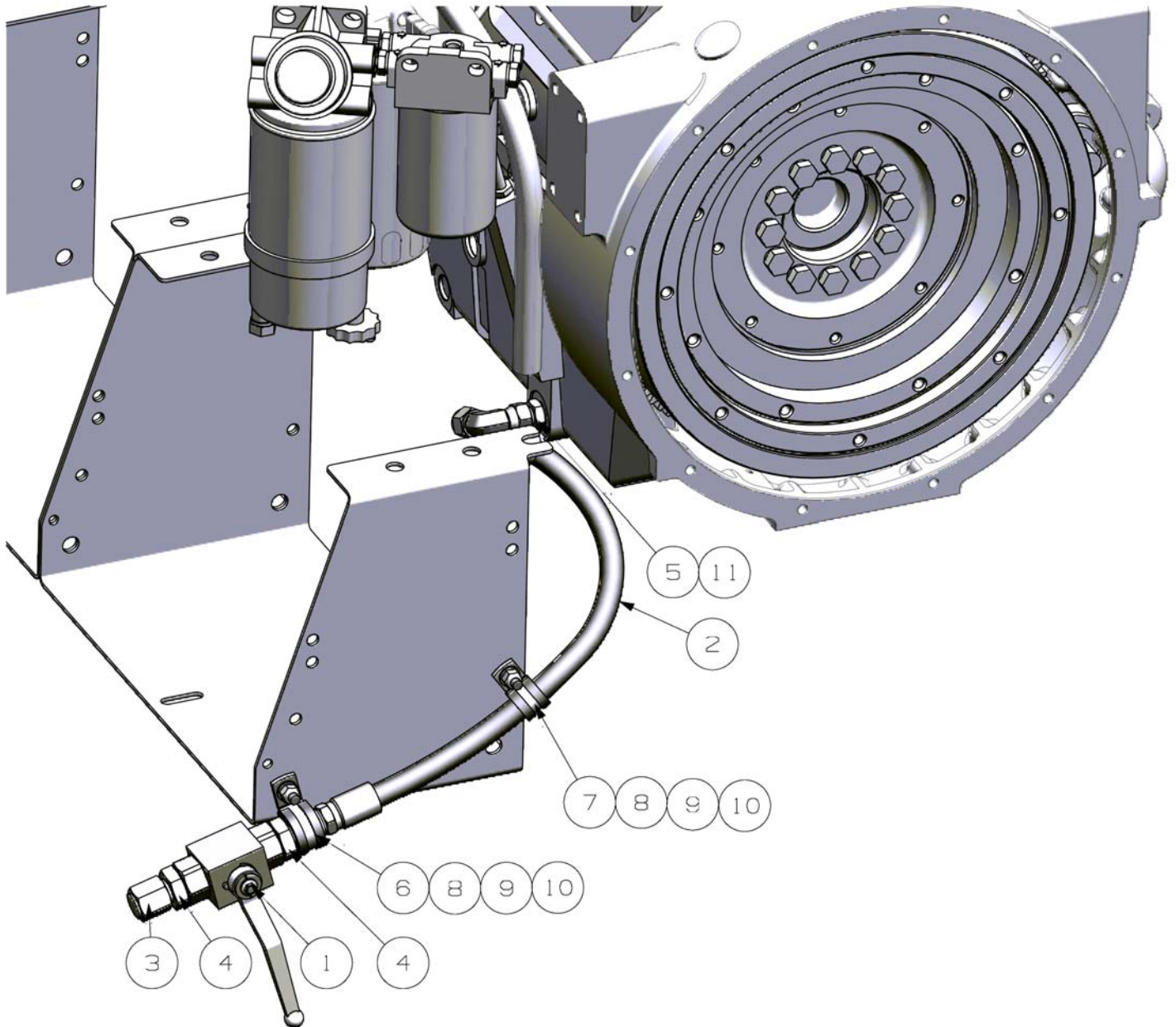
•SUPPLIED WITH THE ENGINE



Lokotrack ST3.8 s/n 77916  
MM1044262\_0 PIPING

Pos.	Part No.	Description	Qty	Net Wght
1	MM1045277	PLATE	1	1.52
2	MM0569541	HYDRAULIC HOSE	1	.39
3	MM0530807	HYDRAULIC HOSE	1	.75
4	MM0280242	HOSE	1	0.38
5	MM0539137	HOSE	1	.12
6	MM0562251	HOSE	1	.07
7	706300789000	ELBOW	2	0.1
8	706300793205	PLUG	1	0.045
9	MM0308051	HOSE CONNECTION	1	0.052
10	704404204500	HOSE TIGHTENER	6	0.017
11	N02405405	CONNECTOR	2	.53
12	MM0241202	REDUCER	1	0.1
13	N02405401	CONNECTOR	1	0.041
14	MM0336736	CLIP, RETAINING	1	.03
15	N01530106	SCREW, HEXAGONAL	1	0.020
16	704203927080	NUT, HEXAGONAL, TORQUE	1	0.011
17	MM0235397	WASHER, PLAIN	2	0.002
18	N01530143	BOLT, HEXAGONAL	4	0.04
19	N01570210	NUT, HEXAGONAL, TORQUE	4	0.013
20	804006920000	WASHER, PLAIN	10	0.010
21	N01530136	SCREW, HEXAGONAL	2	0.020

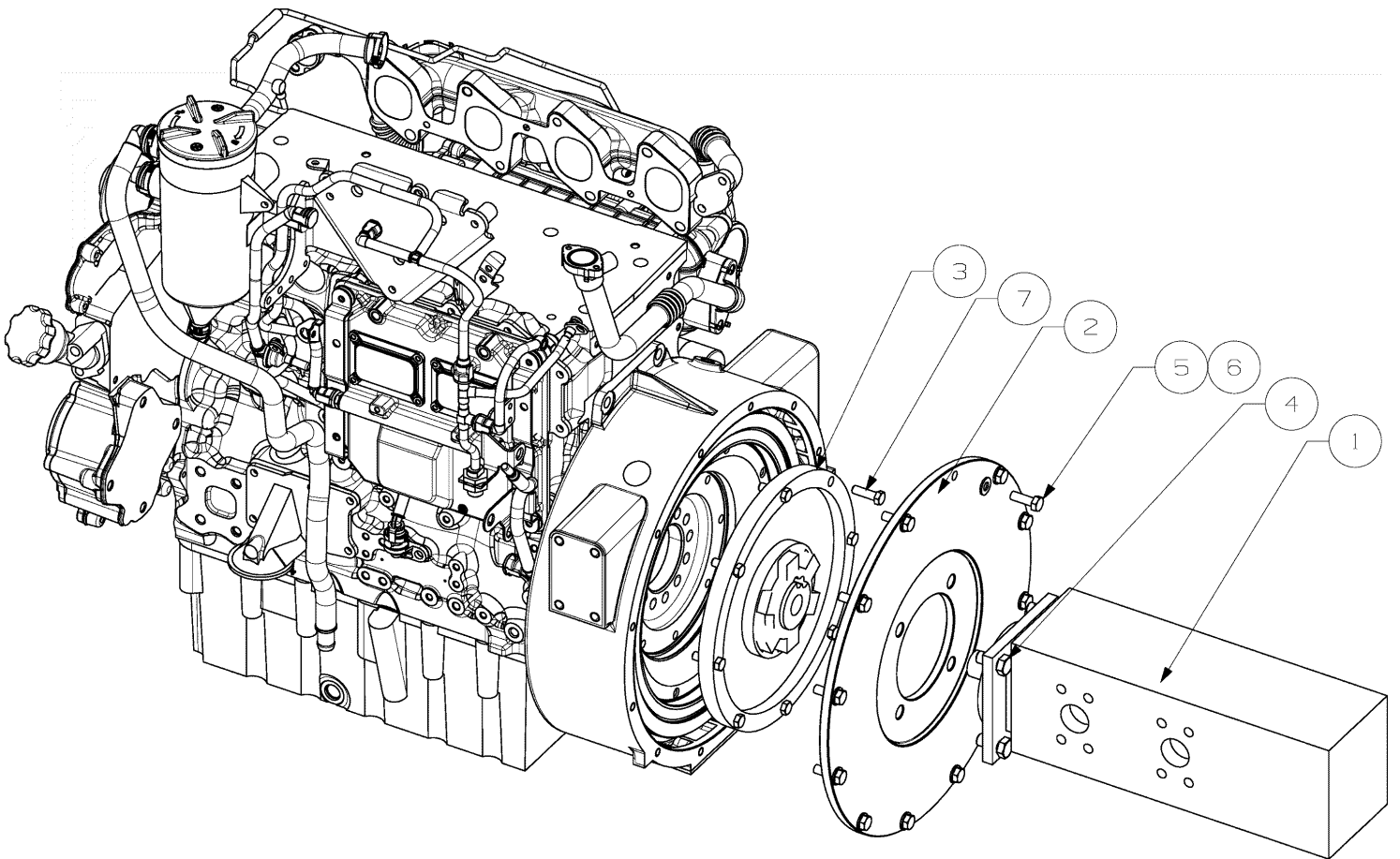




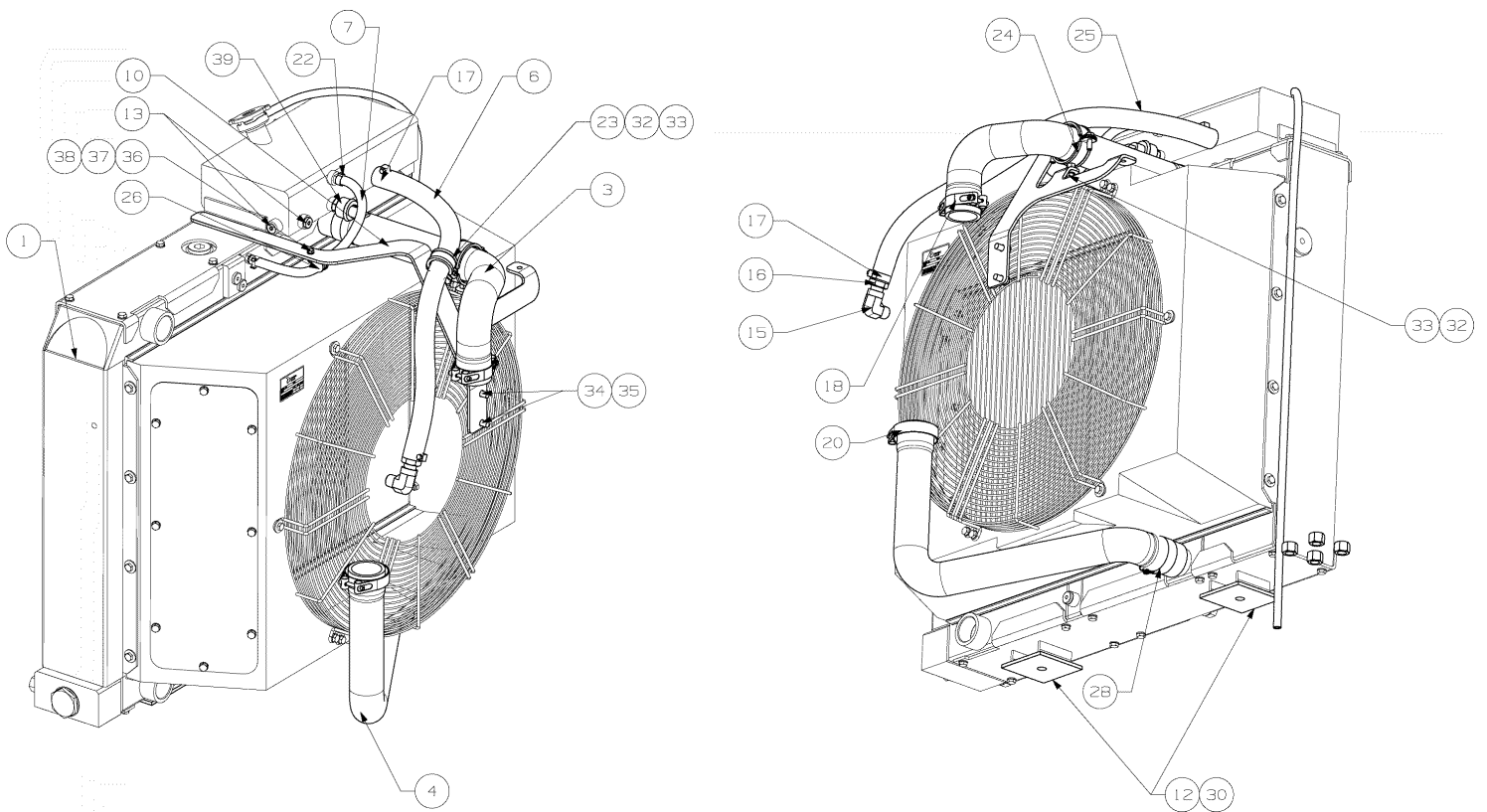


Lokotrack ST3.8 s/n 77916  
MM1044620\_0 PIPING

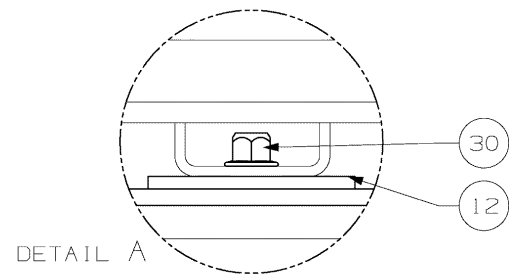
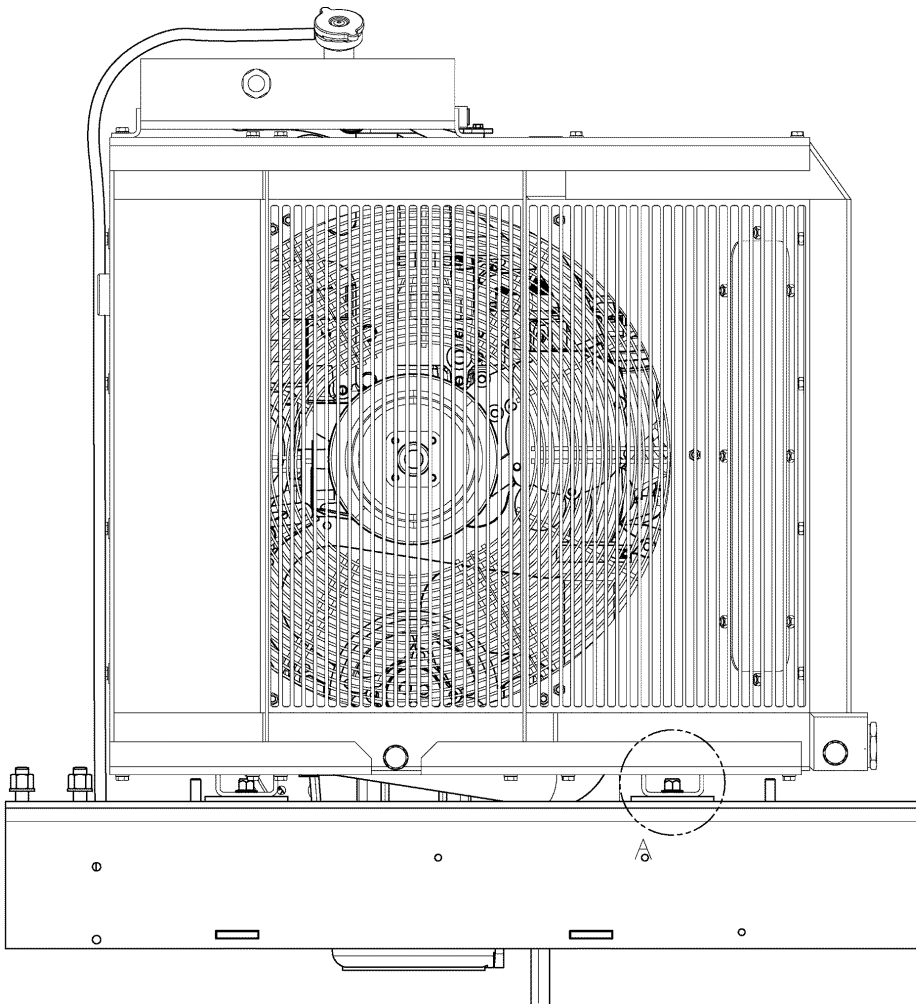
Pos.	Part No.	Description	Qty	Net Wght
1	706203312900	VALVE, BALL	1	0.67
2	MM0580950	HYDRAULIC HOSE	1	.6
3	706300793210	PLUG	1	0.075
4	706300790065	CONNECTOR	2	.089
5	706300792353	CONNECTOR	1	0.05
6	MM0349437	CLIP, RETAINING	1	.03
7	MM0336736	CLIP, RETAINING	1	.03
8	N01530104	SCREW, HEXAGONAL	2	0.010
9	704203927080	NUT, HEXAGONAL, TORQUE	2	0.011
10	MM0235397	WASHER, PLAIN	4	0.002
11	706300789000	ELBOW	1	0.1



Pos.	Part No.	Description	Qty	Net Wght
1	MM0358386	PUMP, HYDRAULIC	1	23
2	MM0545502	MOUNTING PLATE	1	15.45
3	MM0358049	COUPLING	1	5
4	MM0364179	SCREW, HEXAGONAL	4	0.052
5	N01530138	SCREW, HEXAGONAL	12	0.030
6	N01626510	WASHER, PLAIN	12	0.1
7	MM0252600	SCREW, HEXAGONAL	8	0.026



Pos.	Part No.	Description	Qty	Net Wght	Page
1	MM1029788	COOLER ASSEMBLY	1	102.38	58
3	MM0568726	WATER HOSE	1	4.93	
4	MM0568879	WATER HOSE	1	.72	
6	MM0519598	HOSE	1	.47	
7	MM0556383	HOSE	1	.05	
10	MM0568660	BRACKET	1	1.81	
12	M10158	PLATE, RUBBER	2	0.07	
13	N02430302	TERMINAL PLUG	2	0.02	
15	MM0280192	ELBOW	1	0.174	
16	934080	HOSE CONNECTION	1	0.1	
17	704404204950	CLAMP	2	0.03	
18	MM0354173	HOSE TIGHTENER	1	.15	
20	MM0346208	HOSE TIGHTENER	1	.15	
22	704404204500	HOSE TIGHTENER	1	0.017	
23	MM0365583	PIPE SUPPORT	1	.051	
24	MM0300095	PIPE SUPPORT	1	0.2	
26	N01685511	CLIP, RETAINING	1	0.01	
28	MM0233711	HOSE TIGHTENER	2	0.05	
30	MM0317489	NUT, HEXAGONAL, FLANGED	2	0.022	
32	704006880000	WASHER, PLAIN	2	0.010	
33	7001530098	SCREW, HEXAGONAL	2	0.010	
34	7001530134	SCREW, HEXAGONAL	2	0.020	
35	804006920000	WASHER, PLAIN	2	0.010	
36	N01530056	SCREW, HEXAGONAL	1	0.010	
37	704006860000	WASHER, PLAIN	2	0.002	
38	704203927060	NUT, HEXAGONAL, TORQUE	1	0.010	
39	N05228046	SENSOR	1	0.084	

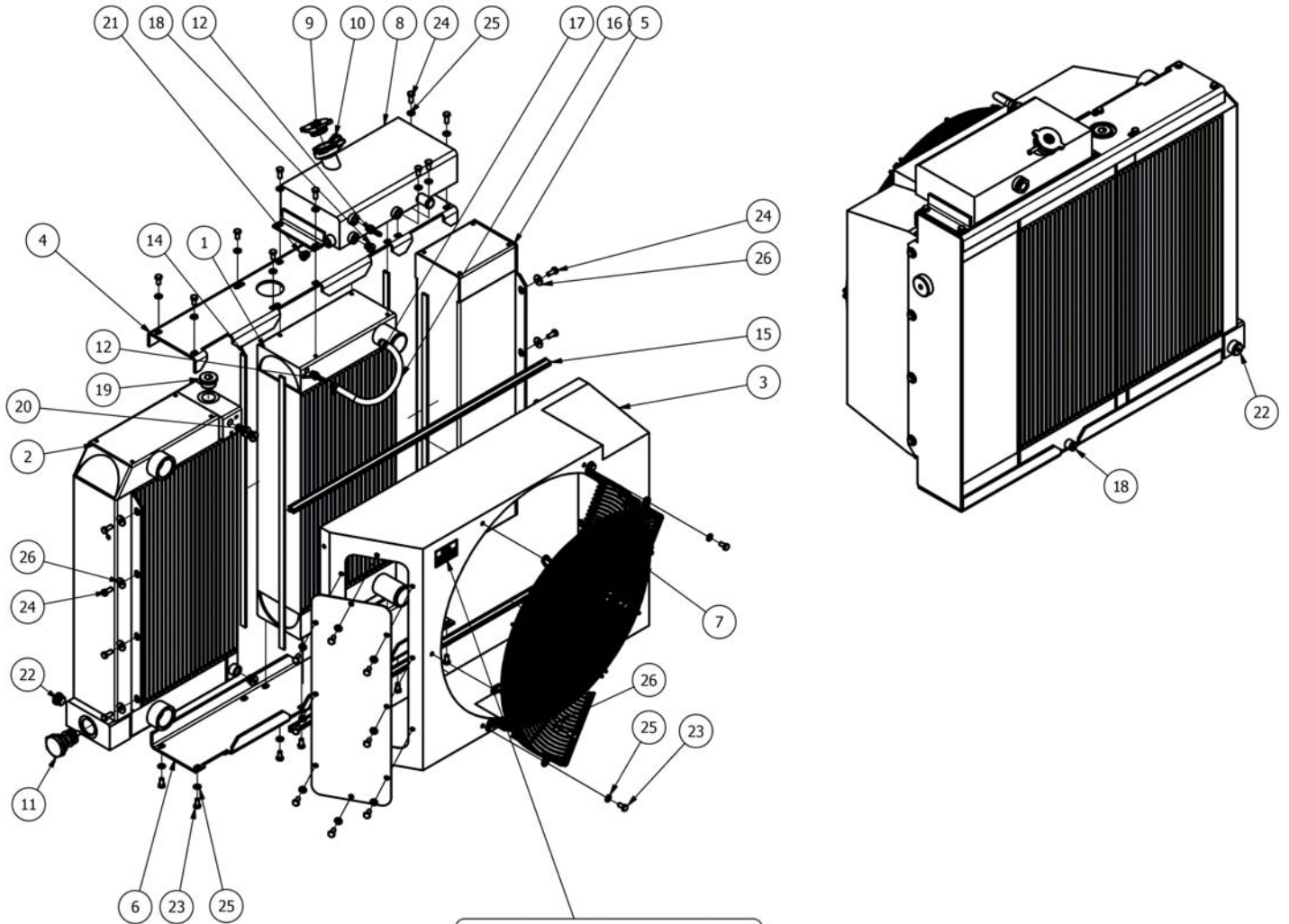





Lokotrack ST3.8 s/n 77916  
MM1022370\_1\_2 COOLER INSTALLATION

Pos.	Part No.	Description	Qty	Net Wght	Page
1	MM1029788	COOLER ASSEMBLY	1	102.38	58
3	MM0568726	WATER HOSE	1	4.93	
4	MM0568879	WATER HOSE	1	.72	
6	MM0519598	HOSE	1	.47	
7	MM0556383	HOSE	1	.05	
10	MM0568660	BRACKET	1	1.81	
12	M10158	PLATE, RUBBER	2	0.07	
13	N02430302	TERMINAL PLUG	2	0.02	
15	MM0280192	ELBOW	1	0.174	
16	934080	HOSE CONNECTION	1	0.1	
17	704404204950	CLAMP	2	0.03	
18	MM0354173	HOSE TIGHTENER	1	.15	
20	MM0346208	HOSE TIGHTENER	1	.15	
22	704404204500	HOSE TIGHTENER	1	0.017	
23	MM0365583	PIPE SUPPORT	1	.051	
24	MM0300095	PIPE SUPPORT	1	0.2	
26	N01685511	CLIP, RETAINING	1	0.01	
28	MM0233711	HOSE TIGHTENER	2	0.05	
30	MM0317489	NUT, HEXAGONAL, FLANGED	2	0.022	
32	704006880000	WASHER, PLAIN	2	0.010	
33	7001530098	SCREW, HEXAGONAL	2	0.010	
34	7001530134	SCREW, HEXAGONAL	2	0.020	
35	804006920000	WASHER, PLAIN	2	0.010	
36	N01530056	SCREW, HEXAGONAL	1	0.010	
37	704006860000	WASHER, PLAIN	2	0.002	
38	704203927060	NUT, HEXAGONAL, TORQUE	1	0.010	
39	N05228046	SENSOR	1	0.084	



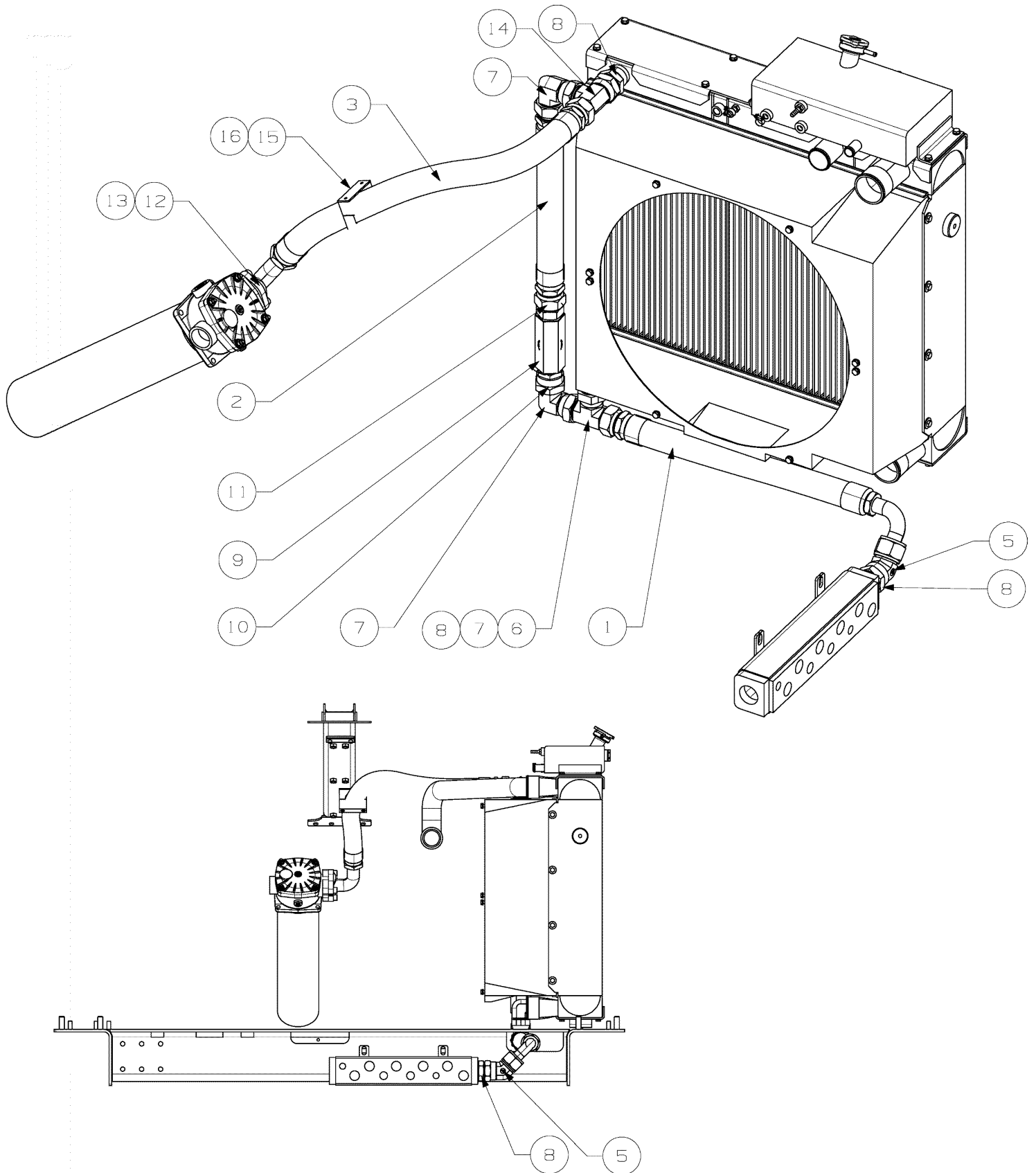


	
SERIAL NO.	YEAR
ITEM MM01029788	
TEST PRESSURE (bar)	OIL AIR WATER
MAX PRESSURE (bar)	16         2



Lokotrack ST3.8 s/n 77916  
MM1029788\_0 COOLER ASSEMBLY

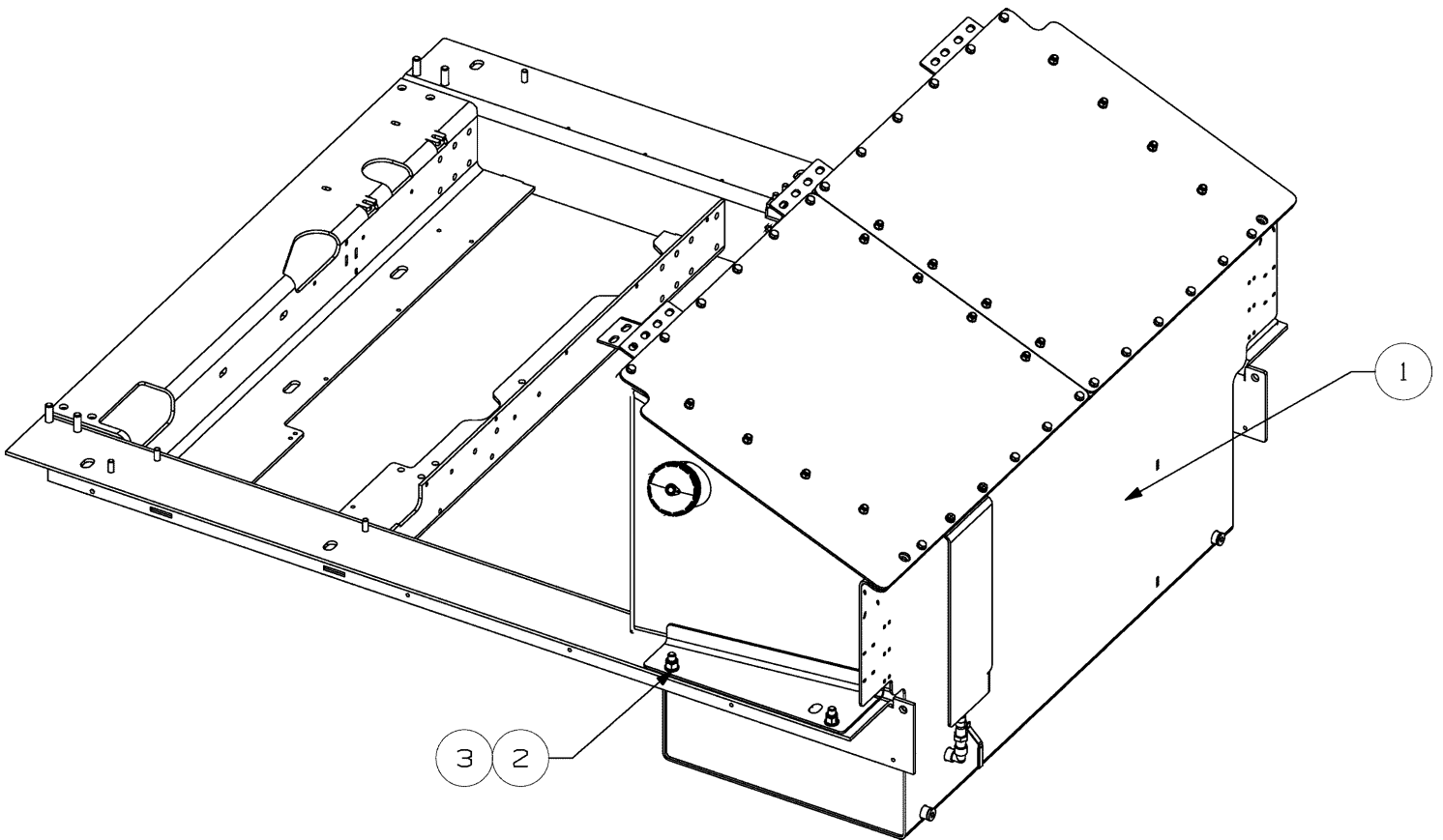
Pos.	Part No.	Description	Qty	Net Wght
1	MM0340694	MATRIX	1	
2	MM1050455	COOLER, OIL	1	34.37
3	MM0340697	HOUSING	1	
4	MM1050457	BRACKET	1	6.27
5	MM1050461	BLOCK, ELEMENT	1	7.91
6	MM1050462	BRACKET	1	6.9
7	MM0289575	GUARD	2	5
8	MM1050464	EXPANSION TANK	1	3.52
9	MM0340699	CAP	1	.1
10	MM1050467	GAUGE, LEVEL	1	.02
11	MM1050103	THERMOSTAT KIT	1	.48
12	MM1050469	HOSE CONNECTION	2	.03
13	MM1050138	LABEL	1	.0003
14	MM1050471	SEAL, RUBBER	4	.04
15	MM1050482	SEAL	2	.11
16	MM1050484	HOSE	1	.04
17	MM1050485	CLAMP, HOSE	2	.01
18	MM1050486	PLUG	2	.02
19	MM1050488	PLUG	1	.14
20	MM1050489	PLUG	3	.03
21	MM1050491	PLUG	1	.02
22	MM1050492	PLUG	1	.05
23	MM1050493	BOLT, HEXAGONAL	28	.01
24	MM1050494	BOLT, HEXAGONAL	12	.01
25	MM1050495	WASHER	28	.0018
26	MM1050498	WASHER	12	.01





Lokotrack ST3.8 s/n 77916  
MM0557473\_1 HYDRAULIC HOSES INSTALLATION

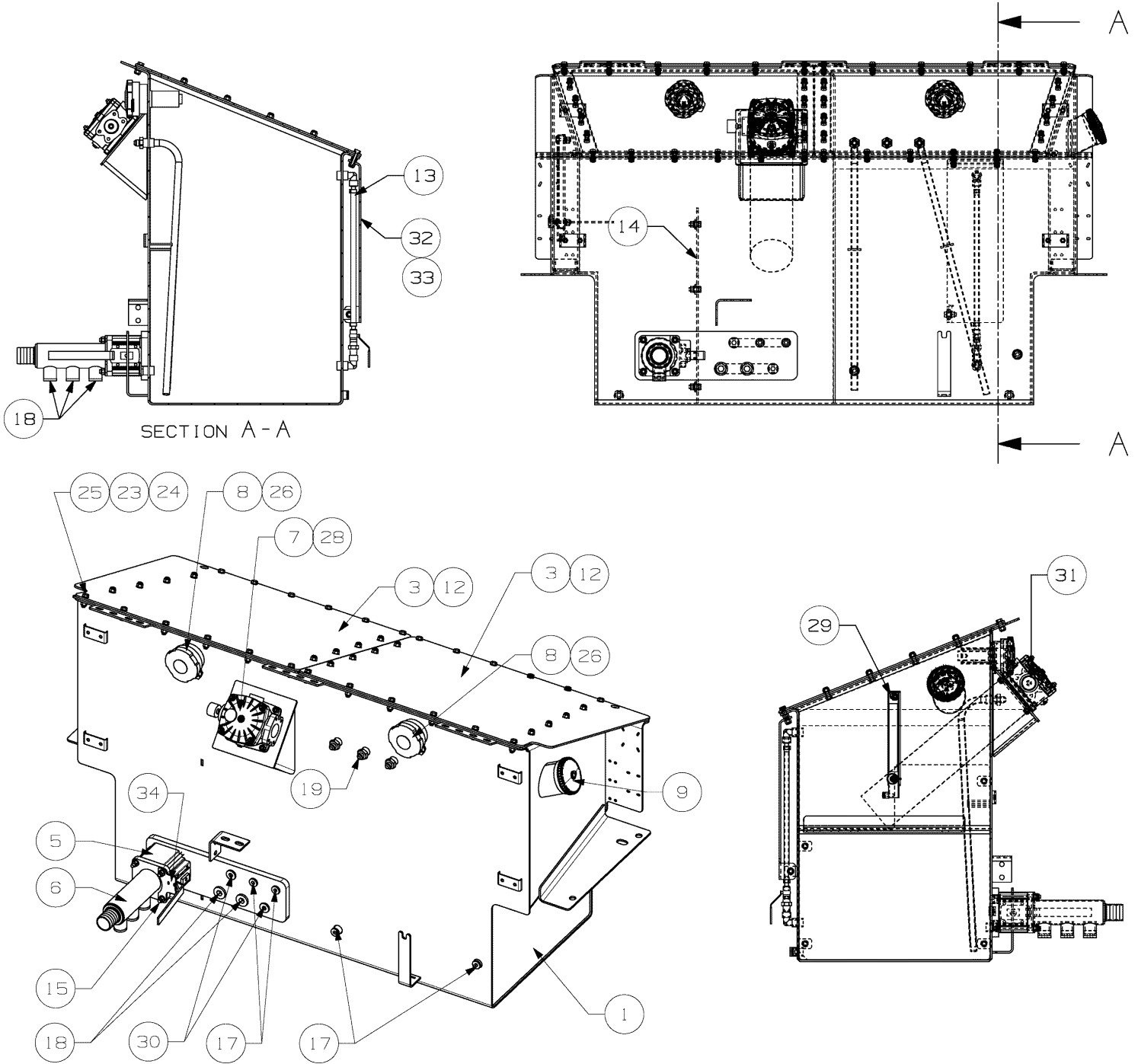
Pos.	Part No.	Description	Qty	Net Wght
3	MM0557595	HYDRAULIC HOSE	1	.94
4	706300793040	CONNECTOR	3	0.7
7	706300793095	ELBOW	3	0.98
9	706202472700	VALVE, CHECK	1	1.85
15	7001538186	SCREW, CAP, HEXAGON SOCKET HEAD	4	0.040
16	706203314110	SPLIT FLANGE PAIR	2	0.8
17	706300790109	TEE	1	1.1
18	706300790097	TEE	1	1.185
19	MM0248881	ELBOW	1	.81
21	704103395000	SCREW, CAP, HEXAGON SOCKET HEAD	2	0.010
22	706302547100	FASTENER PAIR	1	0.04
23	MM0285909	STUD	1	0.63
24	706300793035	CONNECTOR	1	0.42
49	MM0557627	HYDRAULIC HOSE	1	.64
50	MM0557625	HYDRAULIC HOSE	1	.45





Lokotrack ST3.8 s/n 77916  
MM0542700\_2 TANK INSTALLATION

Pos.	Part No.	Description	Qty	Net Wght	Page
1	MM0585874	TANK MODULE	1	327.71	61
2	704007040000	WASHER, PLAIN	4	0.011	
3	704203927160	NUT, HEXAGONAL, TORQUE	4	0.035	

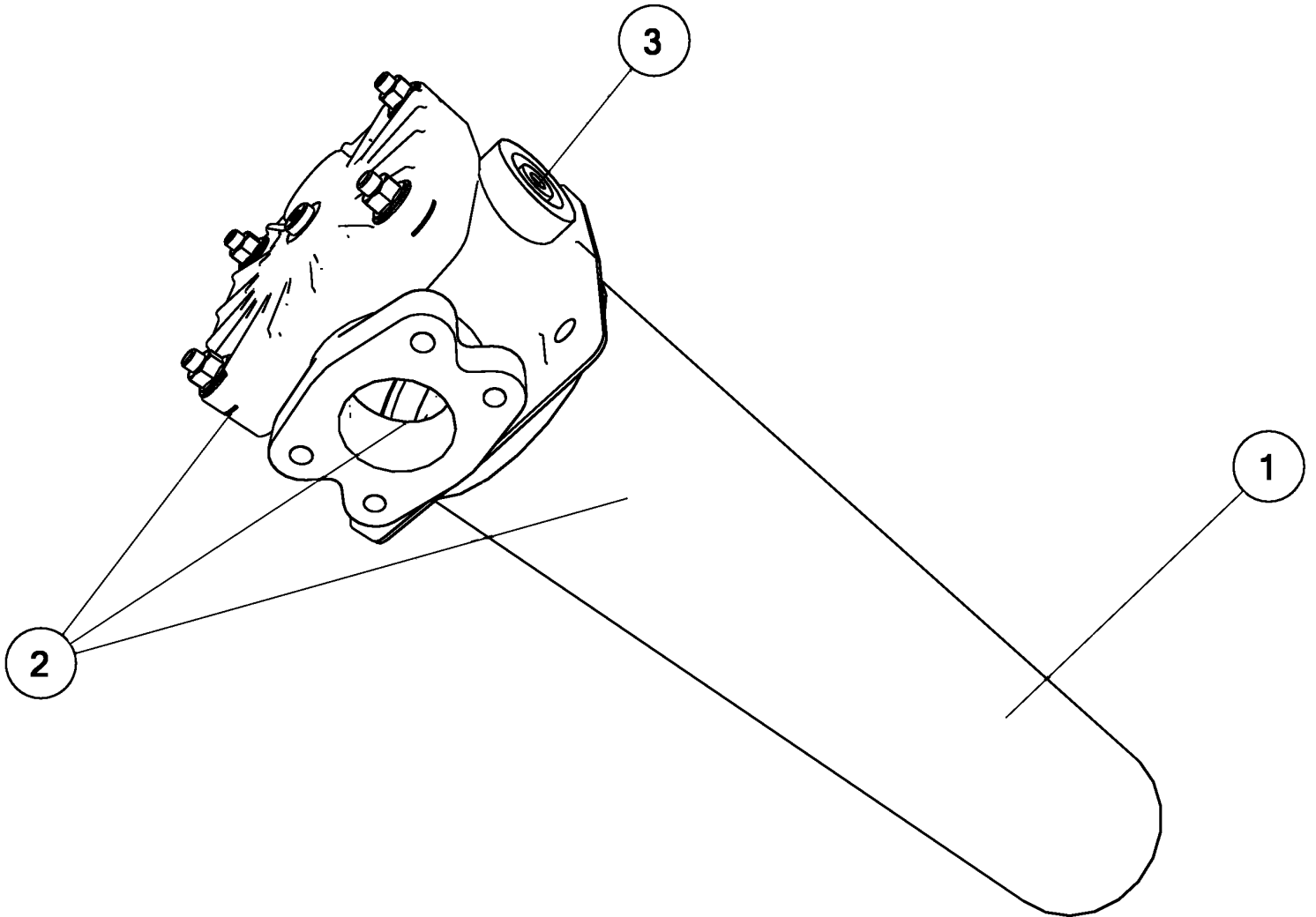




Lokotrack ST3.8 s/n 77916  
MM0585874\_2 TANK MODULE

Pos.	Part No.	Description	Qty	Net Wght	Page
1	MM0585875	TANK WELDING	1	241.53	
3	MM0574149	PLATE	2	24.71	
5	N02123143	VALVE, BALL	1	5	
6	MM0561489	PIPE WELDING	1	3.47	
7	MM0288258	RETURN FILTER	1	5	62
8	MM0238419	BREATHER	2	0.3	63
*	MM0238690	FILTER ELEMENT	1	0.1	
9	MM0344542	CORK	1	.3	
12	MM0545133	SEAL, RUBBER	2	.58	
13	925746	MEASURING HOSE	1	0.6	64
14	MM0533467	PLATE	1	11.43	
15	MM0238481	THREADED ROD	1		
17	706202487230	TERMINAL PLUG	7	0.05	
18	706202487250	TERMINAL PLUG	5	0.13	
19	706300790060	CONNECTOR	3	0.1	
22	704203927100	NUT, HEXAGONAL, TORQUE	55	0.010	
23	N01530138	SCREW, HEXAGONAL	5	0.030	
24	804006920000	WASHER, PLAIN	84	0.010	
25	N01530140	SCREW, HEXAGONAL	22	0.030	
26	704103348000	SCREW, CAP, HEXAGON SOCKET HEAD	12	0.004	
28	704103510000	SCREW, CAP, HEXAGON SOCKET HEAD	4	0.030	
29	706202740000	LEVEL SWITCH	1	0.3	
30	706202487240	TERMINAL PLUG	2	0.07	
31	MM0369977	HYDRAULIC FITTING	1	.7	
32	MM0559082	PLATE	1	3.57	
33	7001530148	SCREW, HEXAGONAL	2	0.036	
34	MM0557204	PLATE	1	.18	

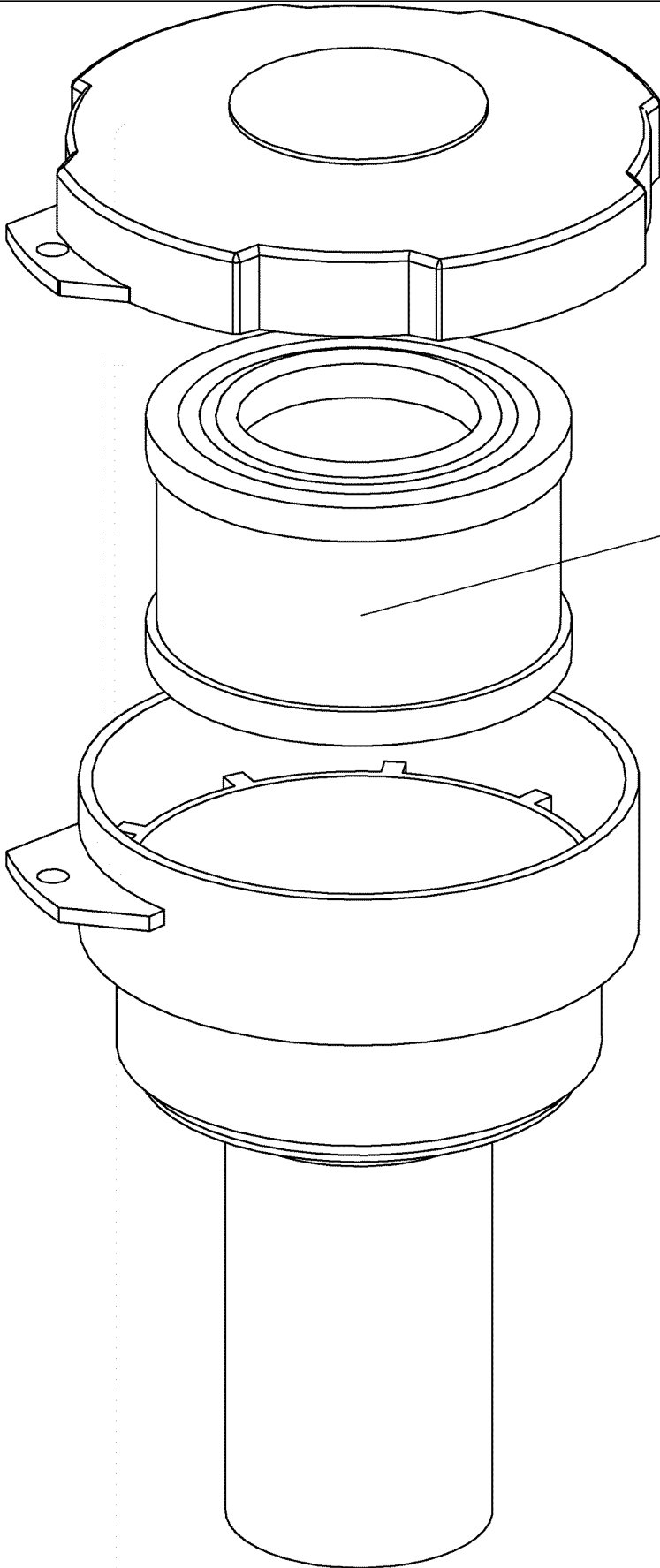






Lokotrack ST3.8 s/n 77916  
MM0288258\_0 RETURN FILTER

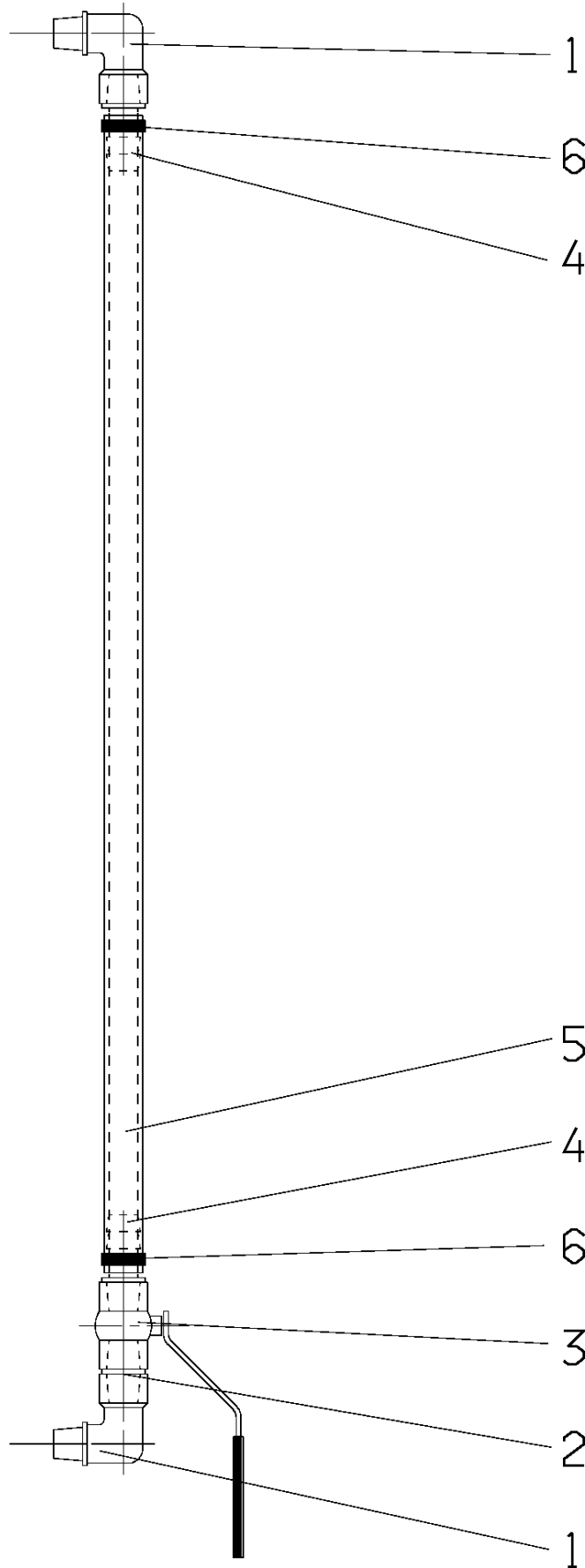
Pos.	Part No.	Description	Qty	Net Wght
1	MM0288323	FILTER ELEMENT	1	.852
2	MM0288427	SEAL KIT	1	.063
3	802233	INDICATOR	1	0.04



**FILTER ELEMENT  
MM0238690**

Description
-------------

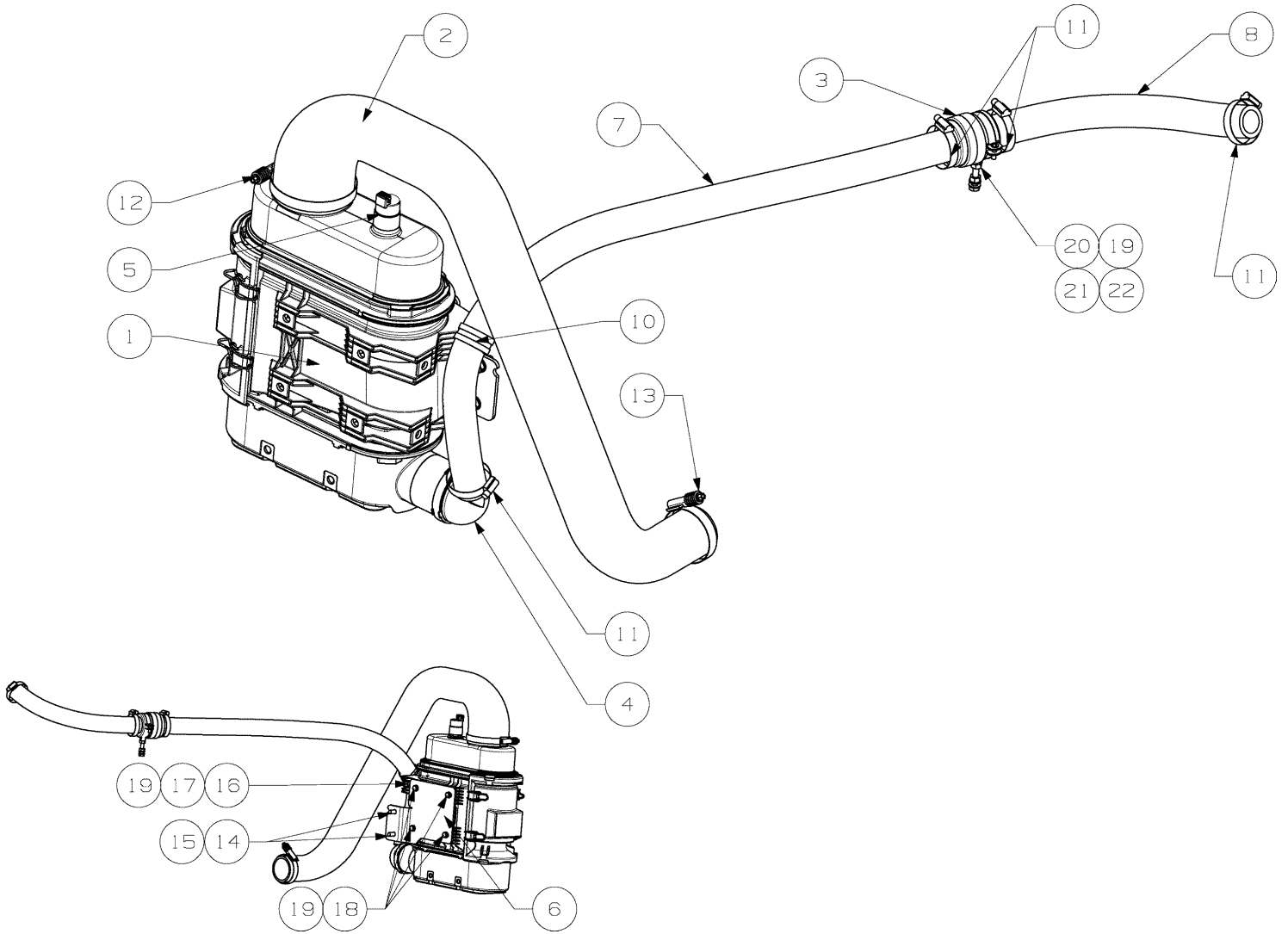
THIS PAGE HAS BEEN LEFT INTENTIONALLY BLANK





Lokotrack ST3.8 s/n 77916  
925746\_- MEASURING HOSE

Pos.	Part No.	Description	Qty	Net Wght
1	706203326200	ANGLE CONNECTION	2	0.15
2	706203326100	NIPPLE	1	0.05
3	706203326000	BALL COCK	1	0.1
4	706203326300	HOSE CONNECTION	2	0.05
5	706203326400	HOSE	1	
6	704404204500	HOSE TIGHTENER	2	0.017

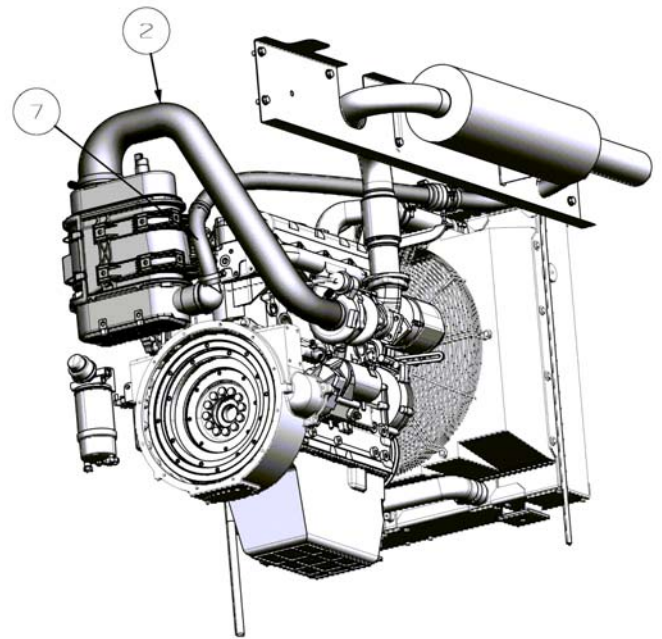
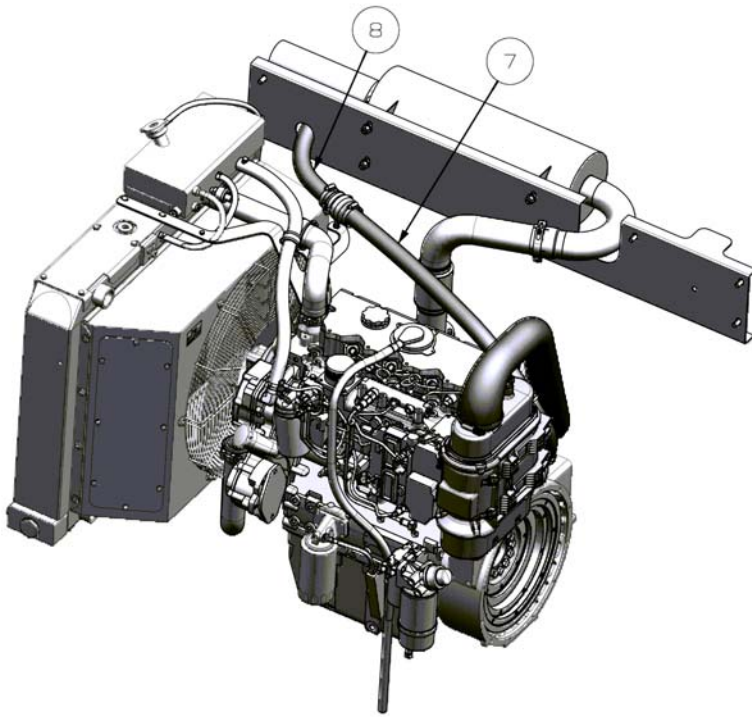




Lokotrack ST3.8 s/n 77916  
MM1022535\_1\_1 AIR FILTER INSTALLATION

Pos.	Part No.	Description	Qty	Net Wght	Page
1	MM0305868	FILTER, AIR	1	3.3	66
2	MM0547221	AIR HOSE	1	1.26	
3	MM0305920	VALVE, CHECK	1	0.41	
4	MM0309108	ADAPTER	1	.07	
5	N05502272	SERVICE INDICATOR	1	0.1	
6	MM0569183	PLATE	1	1.34	
7	MM1022613	HOSE	1	1.1	
8	MM1022614	HOSE	1	.44	
10	MM0310913	CLIP, RETAINING	1	0.03	
11	704404205000	CLAMP	4	0.1	
12	MM0305936	CLAMP	1	.11	
13	N02119009	CLAMP	1	0.04	
14	N01530136	SCREW, HEXAGONAL	2	0.020	
15	804006920000	WASHER, PLAIN	2	0.010	
16	N01530104	SCREW, HEXAGONAL	1	0.010	
17	MM0404771	NUT	1	.02	
18	7001530102	SCREW, HEXAGONAL	4	0.012	
19	704006880000	WASHER, PLAIN	7	0.010	
20	MM0315163	PIPE SUPPORT	1	0.2	
21	7001530112	SCREW, HEXAGONAL	1	0	
22	7001563008	NUT, HEXAGONAL	2	0.005	







Lokotrack ST3.8 s/n 77916  
MM1022535\_1\_2 AIR FILTER INSTALLATION

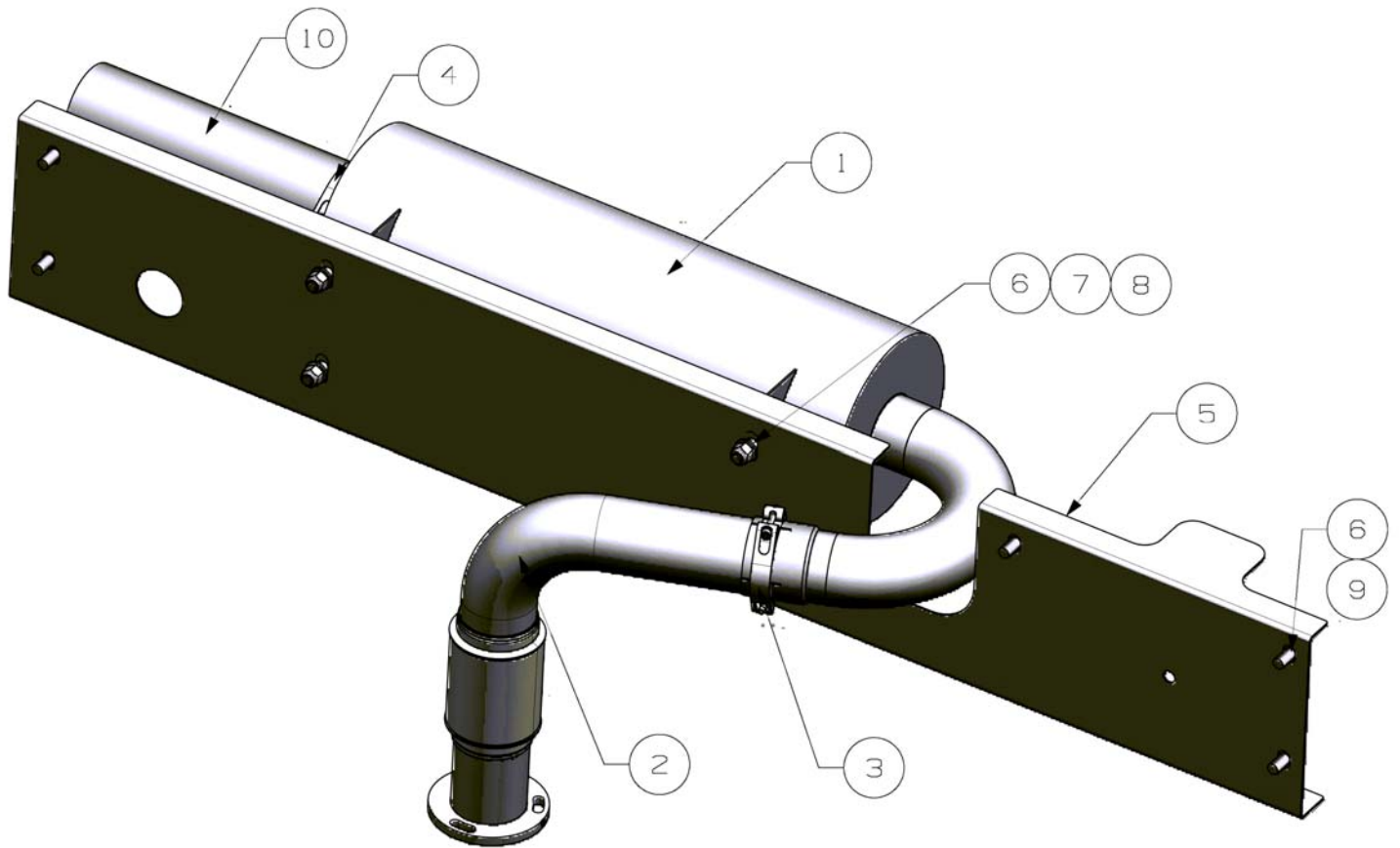
Pos.	Part No.	Description	Qty	Net Wght	Page
1	MM0305868	FILTER, AIR	1	3.3	66
2	MM0547221	AIR HOSE	1	1.26	
3	MM0305920	VALVE, CHECK	1	0.41	
4	MM0309108	ADAPTER	1	.07	
5	N05502272	SERVICE INDICATOR	1	0.1	
6	MM0569183	PLATE	1	1.34	
7	MM1022613	HOSE	1	1.1	
8	MM1022614	HOSE	1	.44	
10	MM0310913	CLIP, RETAINING	1	0.03	
11	704404205000	CLAMP	4	0.1	
12	MM0305936	CLAMP	1	.11	
13	N02119009	CLAMP	1	0.04	
14	N01530136	SCREW, HEXAGONAL	2	0.020	
15	804006920000	WASHER, PLAIN	2	0.010	
16	N01530104	SCREW, HEXAGONAL	1	0.010	
17	MM0404771	NUT	1	.02	
18	7001530102	SCREW, HEXAGONAL	4	0.012	
19	704006880000	WASHER, PLAIN	7	0.010	
20	MM0315163	PIPE SUPPORT	1	0.2	
21	7001530112	SCREW, HEXAGONAL	1	0	
22	7001563008	NUT, HEXAGONAL	2	0.005	

THIS PAGE HAS BEEN LEFT INTENTIONALLY BLANK



Lokotrack ST3.8 s/n 77916  
MM0305868\_0 FILTER, AIR

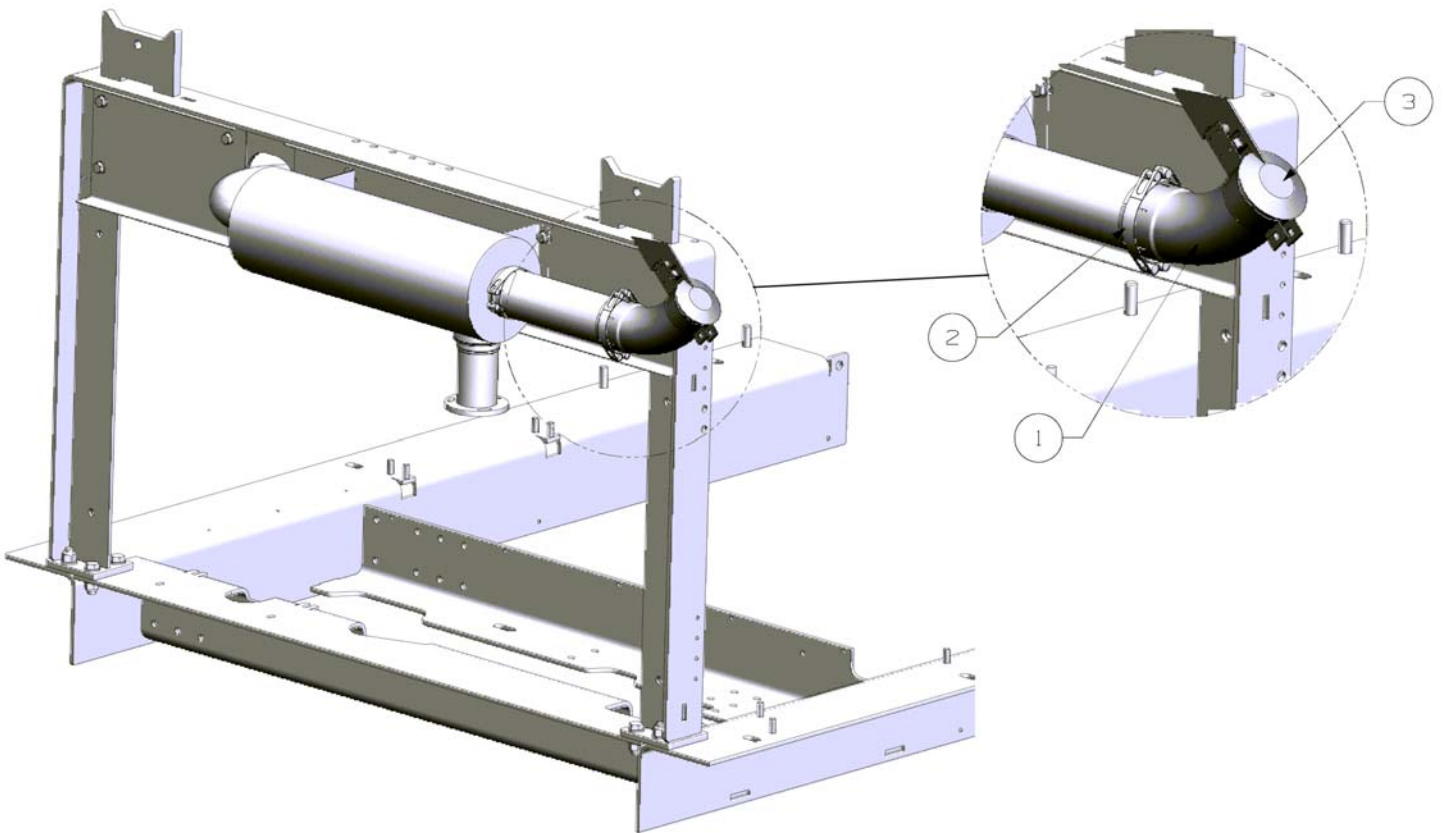
Pos.	Part No.	Description	Qty	Net Wght
1	MM0300002	FILTER ELEMENT	1	0.31
2	MM0305886	FILTER ELEMENT	1	1.08





Lokotrack ST3.8 s/n 77916  
MM0559527\_2 EXHAUST PIPE INSTALLATION

Pos.	Part No.	Description	Qty	Net Wght
1	MM0563611	SILENCER	1	10
2	MM0563690	EXHAUST PIPE WELDING	1	1.74
3	706300787840	HOSE TIGHTENER	1	0.16
4	706300787915	HOSE TIGHTENER	1	0.05
5	MM0565795	PLATE	1	6.74
6	704006970000	WASHER, PLAIN	13	0.005
7	7001530196	SCREW, HEXAGONAL	4	0.044
8	7001570012	NUT, HEXAGONAL, TORQUE	4	0.010
9	N01530192	SCREW, HEXAGONAL	5	0.030
10	MM0279056	EJECTOR	1	1.5

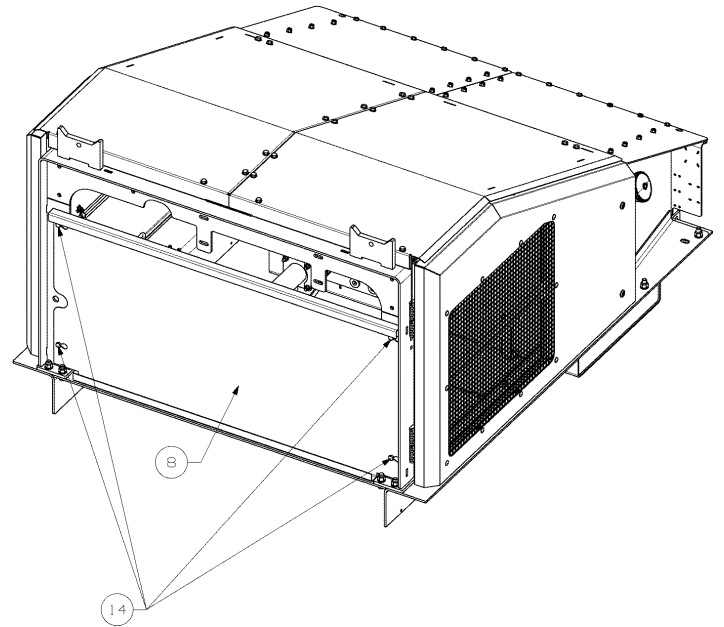
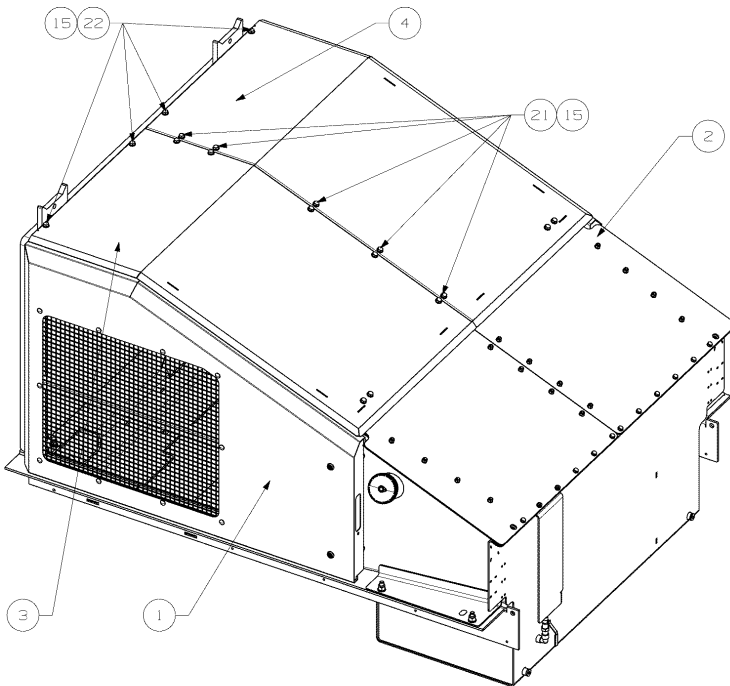




Lokotrack ST3.8 s/n 77916  
MM0586937\_0 OUTLET PIPE

Pos.	Part No.	Description	Qty	Net Wght
1	MM0582385	EXHAUST PIPE	1	1.04
2	MM0380769	HOSE TIGHTENER	1	.15
3	MM0279072	RAIN COVER	1	0.604

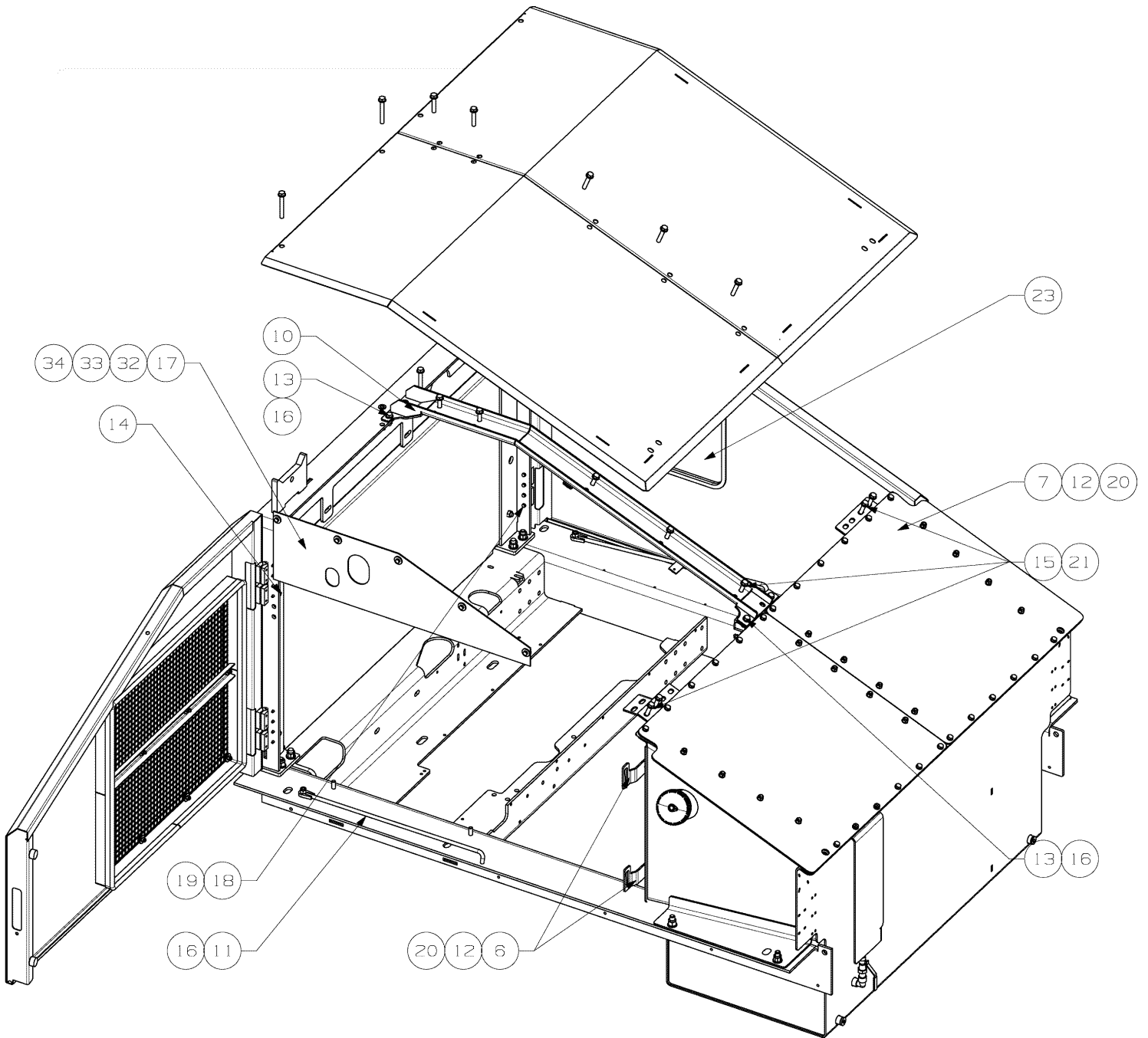






Lokotrack ST3.8 s/n 77916  
MM0565584\_4\_1 COVERING ASSEMBLY

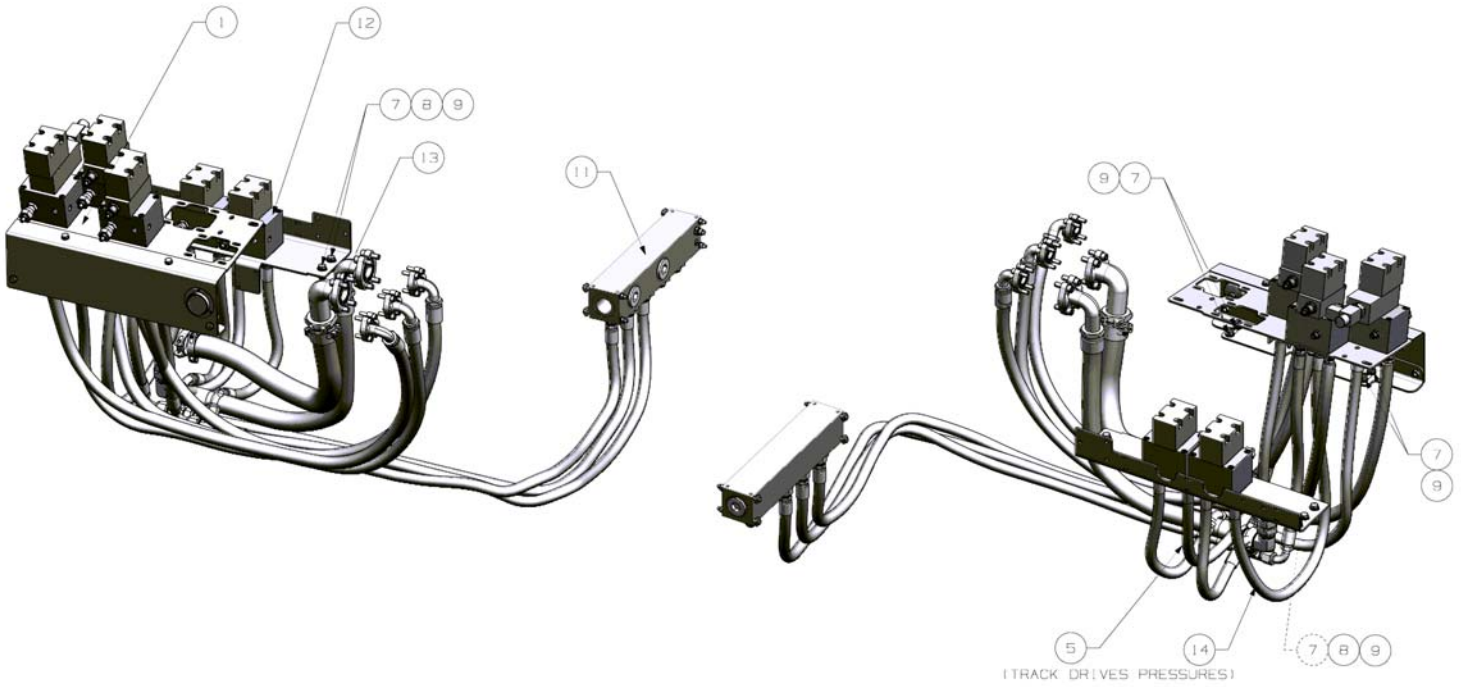
Pos.	Part No.	Description	Qty	Net Wght
1	MM0546534	DOOR	1	27.27
2	MM0546285	DOOR	1	25.002701
3	MM0549562	COVER	1	24.97
4	MM0549681	COVER	1	24.99
6	MM0546716	PLATE	2	.37
7	MM0549876	PLATE	2	.37
8	MM0552941	PLATE	1	20.06
10	MM0549513	SUPPORT	1	8.76
11	MM0549889	HOOK	2	.7
12	7001530102	SCREW, HEXAGONAL	8	0.012
13	7001530196	SCREW, HEXAGONAL	4	0.044
14	N01530192	SCREW, HEXAGONAL	4	0.030
15	704006970000	WASHER, PLAIN	31	0.005
16	7001570012	NUT, HEXAGONAL, TORQUE	10	0.010
17	704203927080	NUT, HEXAGONAL, TORQUE	5	0.011
18	N01530055	SCREW, HEXAGONAL	7	0.005
19	704006860000	WASHER, PLAIN	8	0.002
20	704006880000	WASHER, PLAIN	8	0.010
21	7001530208	SCREW, HEXAGONAL	14	0.060
22	7001530214	SCREW, HEXAGONAL	4	0.080
23	MM0563885	FLAP INSTALLATION	1	4.6
32	N01623108	WASHER, PLAIN	10	0.013
33	N01530104	SCREW, HEXAGONAL	5	0.010
34	MM0587456	PLATE, RUBBER	1	.86





Lokotrack ST3.8 s/n 77916  
MM0565584\_4\_2 COVERING ASSEMBLY

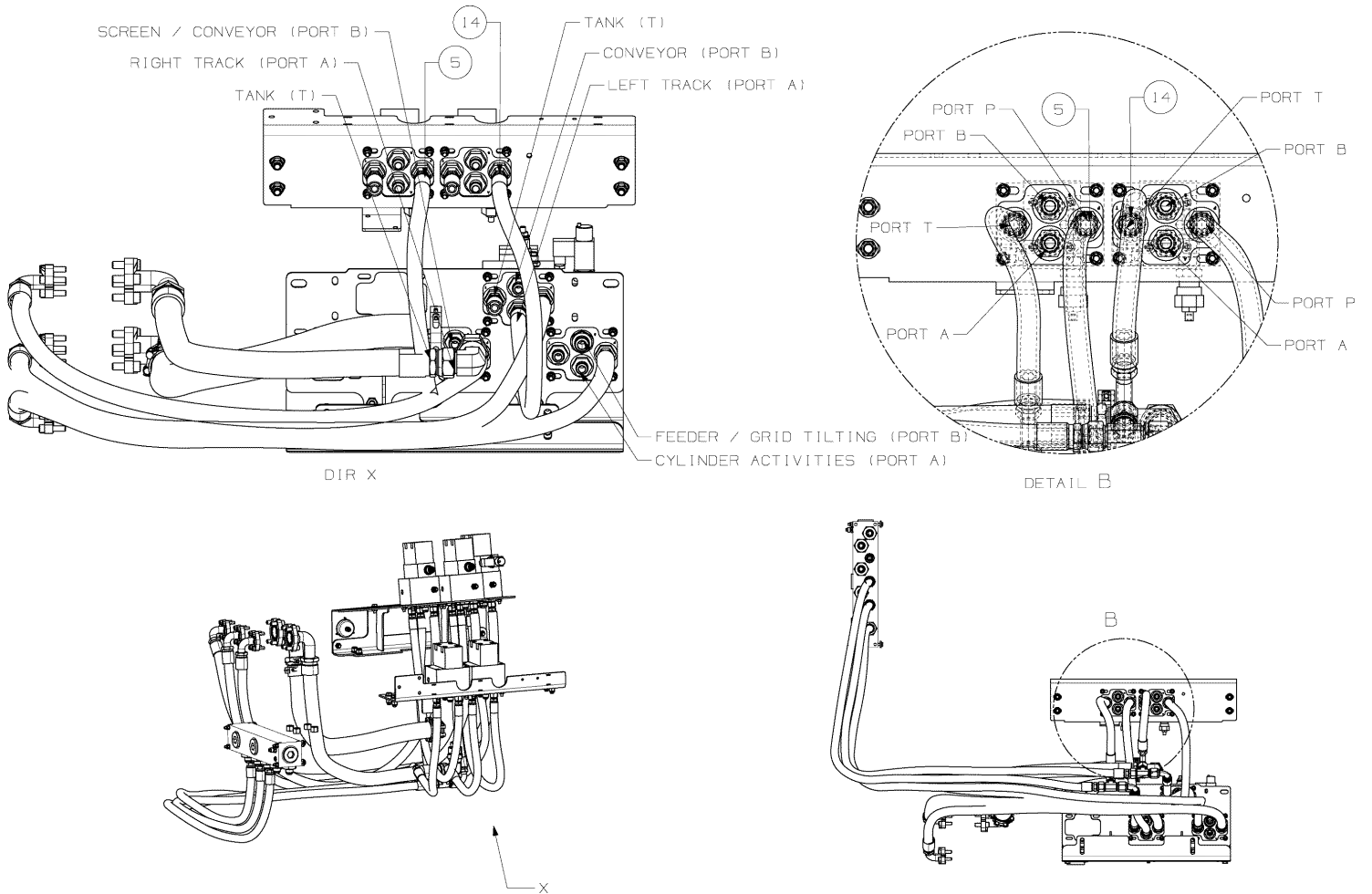
Pos.	Part No.	Description	Qty	Net Wght
1	MM0546534	DOOR	1	27.27
2	MM0546285	DOOR	1	25.002701
3	MM0549562	COVER	1	24.97
4	MM0549681	COVER	1	24.99
6	MM0546716	PLATE	2	.37
7	MM0549876	PLATE	2	.37
8	MM0552941	PLATE	1	20.06
10	MM0549513	SUPPORT	1	8.76
11	MM0549889	HOOK	2	.7
12	7001530102	SCREW, HEXAGONAL	8	0.012
13	7001530196	SCREW, HEXAGONAL	4	0.044
14	N01530192	SCREW, HEXAGONAL	4	0.030
15	704006970000	WASHER, PLAIN	31	0.005
16	7001570012	NUT, HEXAGONAL, TORQUE	10	0.010
17	704203927080	NUT, HEXAGONAL, TORQUE	5	0.011
18	N01530055	SCREW, HEXAGONAL	7	0.005
19	704006860000	WASHER, PLAIN	8	0.002
20	704006880000	WASHER, PLAIN	8	0.010
21	7001530208	SCREW, HEXAGONAL	14	0.060
22	7001530214	SCREW, HEXAGONAL	4	0.080
23	MM0563885	FLAP INSTALLATION	1	4.6
32	N01623108	WASHER, PLAIN	10	0.013
33	N01530104	SCREW, HEXAGONAL	5	0.010
34	MM0587456	PLATE, RUBBER	1	.86





Lokotrack ST3.8 s/n 77916  
MM1048258\_0\_1 HYDRAULICS ASSEMBLY

Pos.	Part No.	Description	Qty	Net Wght	Page
1	MM1048090	HYDRAULICS ASSEMBLY	1	63.46	71
5	MM0375419	HYDRAULIC HOSE	1	1.6	
7	704006970000	WASHER, PLAIN	12	0.005	
8	7001530196	SCREW, HEXAGONAL	4	0.044	
9	7001570012	NUT, HEXAGONAL, TORQUE	8	0.010	
11	MM1048266	TANK, PIPING	1	33	72
12	MM0547801	HYDRAULICS ASSEMBLY	1	24.29	73
13	MM0565288	PIPING, HYDRAULIC	1	11	74
14	MM1008657	HYDRAULIC HOSE	1	2.2	
23	MM0349037	BOOT BAND	2	.1	

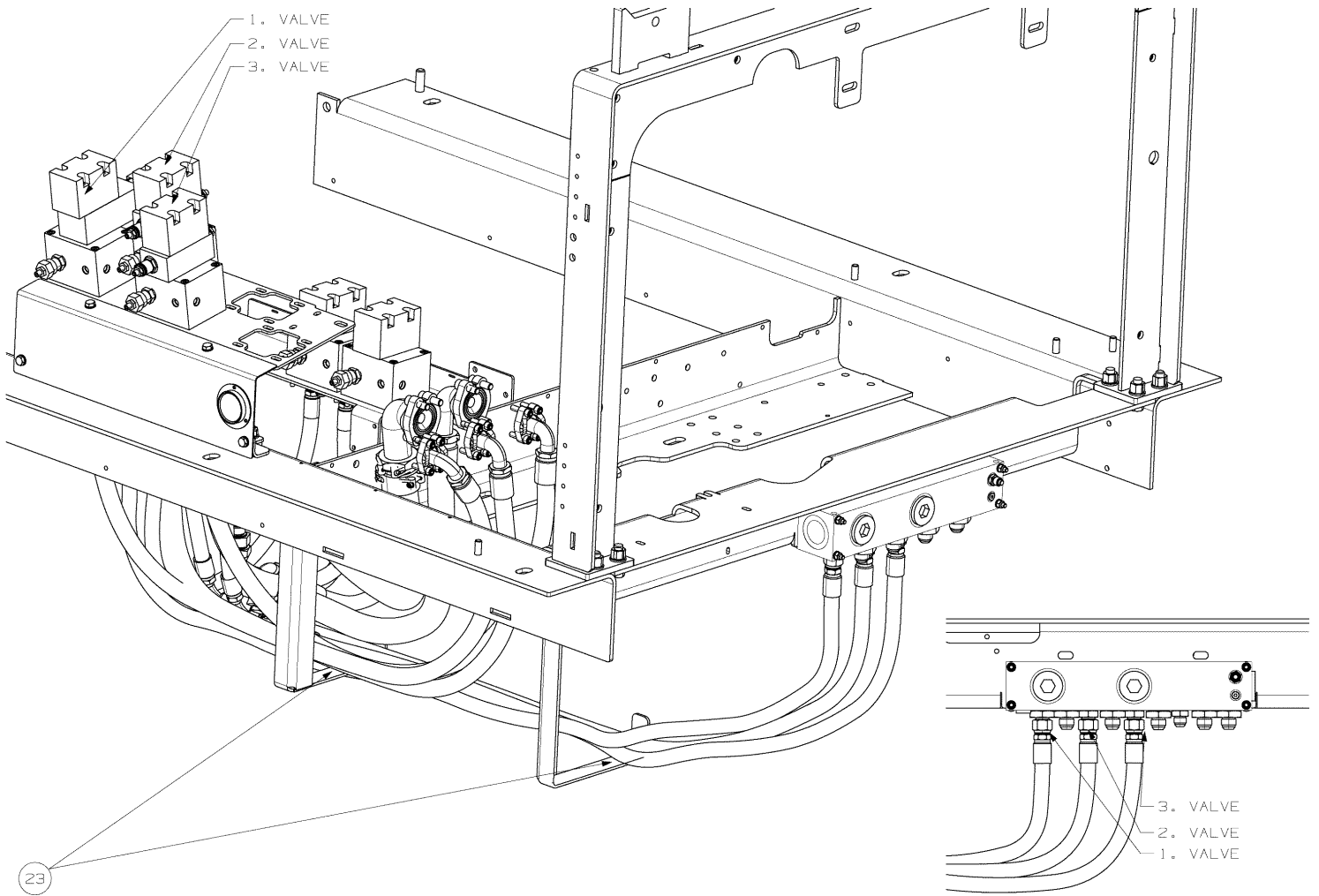




Lokotrack ST3.8 s/n 77916  
MM1048258\_0\_2 HYDRAULICS ASSEMBLY

Pos.	Part No.	Description	Qty	Net Wght	Page
1	MM1048090	HYDRAULICS ASSEMBLY	1	63.46	71
5	MM0375419	HYDRAULIC HOSE	1	1.6	
7	704006970000	WASHER, PLAIN	12	0.005	
8	7001530196	SCREW, HEXAGONAL	4	0.044	
9	7001570012	NUT, HEXAGONAL, TORQUE	8	0.010	
11	MM1048266	TANK, PIPING	1	33	72
12	MM0547801	HYDRAULICS ASSEMBLY	1	24.29	73
13	MM0565288	PIPING, HYDRAULIC	1	11	74
14	MM1008657	HYDRAULIC HOSE	1	2.2	
23	MM0349037	BOOT BAND	2	.1	

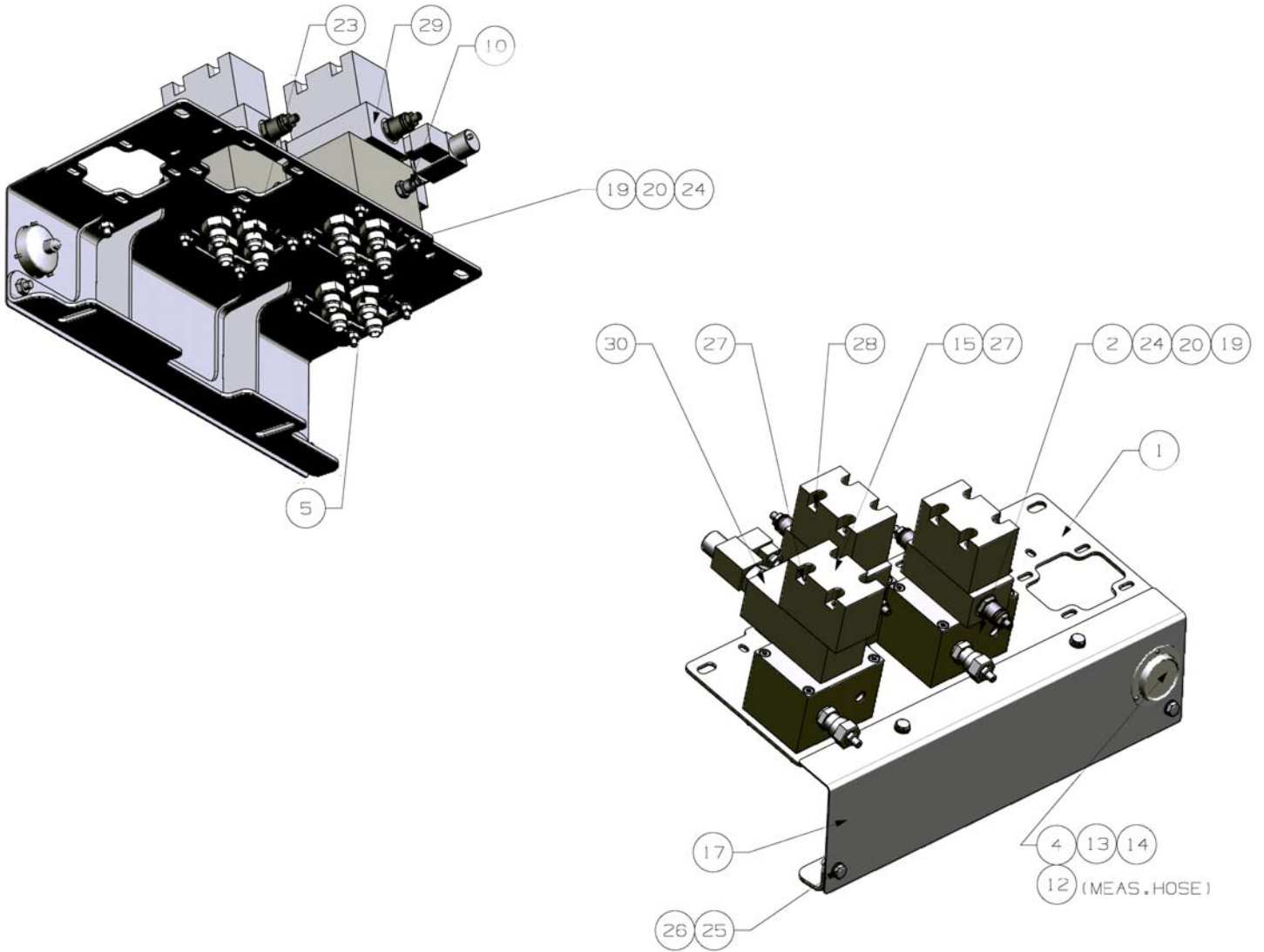






Lokotrack ST3.8 s/n 77916  
MM1048258\_0\_3 HYDRAULICS ASSEMBLY

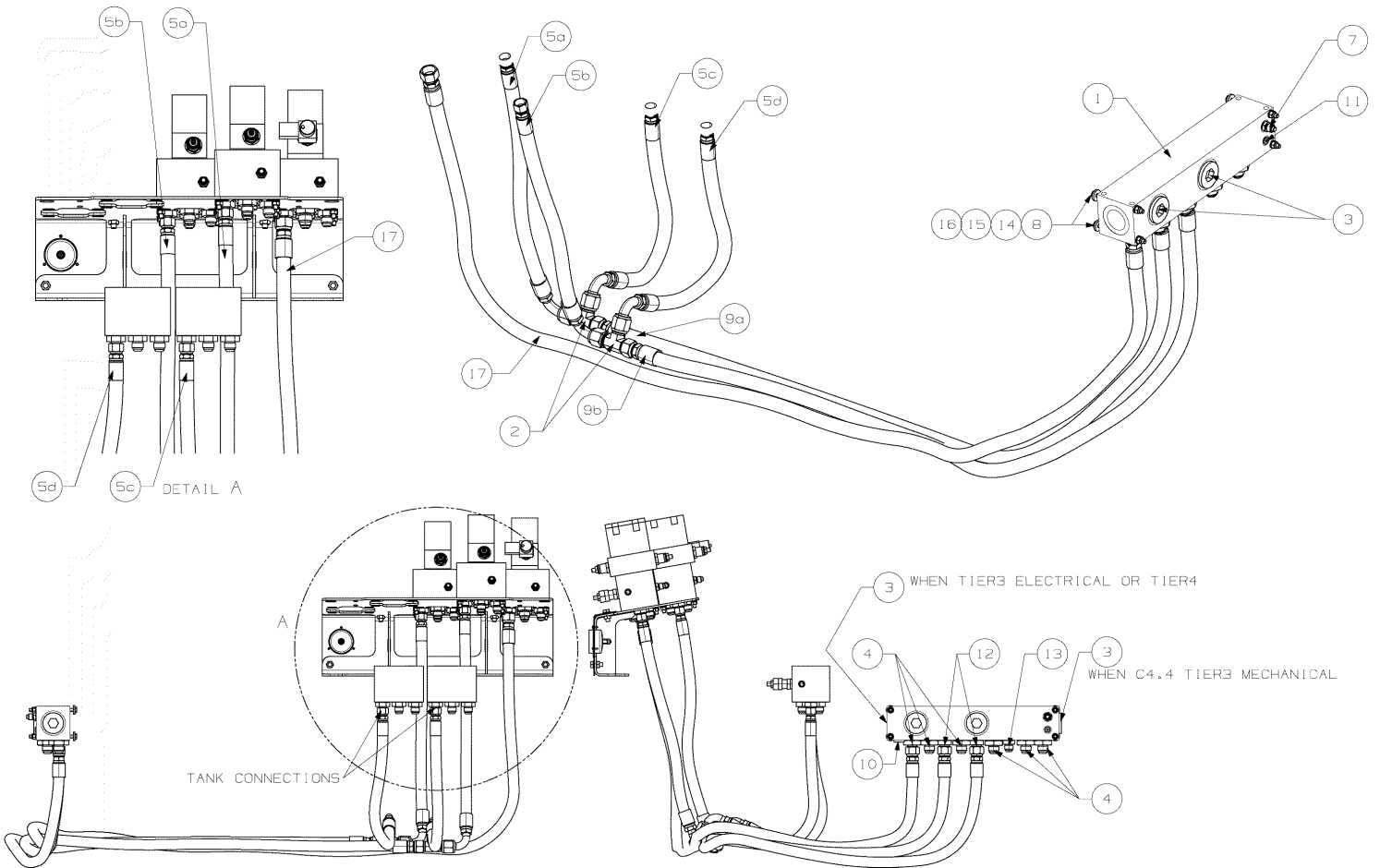
Pos.	Part No.	Description	Qty	Net Wght	Page
1	MM1048090	HYDRAULICS ASSEMBLY	1	63.46	71
5	MM0375419	HYDRAULIC HOSE	1	1.6	
7	704006970000	WASHER, PLAIN	12	0.005	
8	7001530196	SCREW, HEXAGONAL	4	0.044	
9	7001570012	NUT, HEXAGONAL, TORQUE	8	0.010	
11	MM1048266	TANK, PIPING	1	33	72
12	MM0547801	HYDRAULICS ASSEMBLY	1	24.29	73
13	MM0565288	PIPING, HYDRAULIC	1	11	74
14	MM1008657	HYDRAULIC HOSE	1	2.2	
23	MM0349037	BOOT BAND	2	.1	





Lokotrack ST3.8 s/n 77916  
MM1048090\_0 HYDRAULICS ASSEMBLY

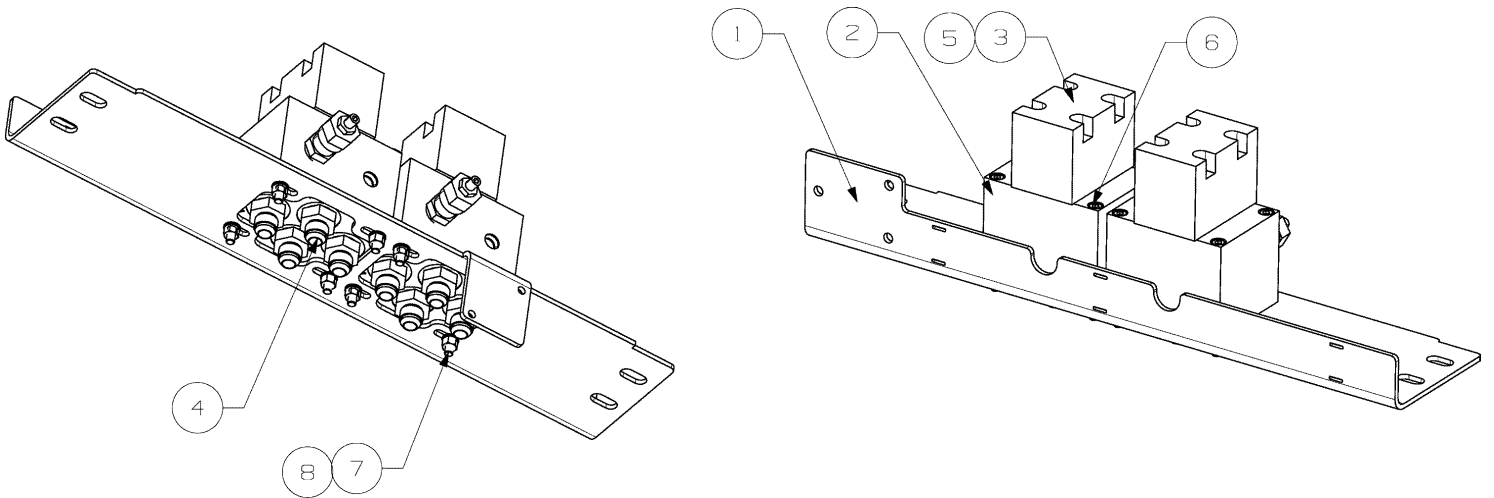
Pos.	Part No.	Description	Qty	Net Wght
1	MM0559866	BRACKET	1	7.26
2	MM0559427	BLOCK	3	8
4	706306138070	GAUGE, PRESSURE	1	0.25
5	706300790070	CONNECTOR	1	.16
10	706203392200	ADAPTER, MEASURE	3	0.1
12	MM0318003	MEASURE HOSE	1	.2
13	N01536015	SCREW, SLOTTED, CHEESE HEAD	3	0.001
14	7001563003	NUT, HEXAGONAL	3	0.002
15	MM0362603	VALVE, DIRECTIONAL	3	3.3
17	MM0559280	PLATE	1	2
19	704006880000	WASHER, PLAIN	12	0.010
20	704203927080	NUT, HEXAGONAL, TORQUE	12	0.011
23	706300790066	CONNECTOR	11	0.16
24	804103474100	SCREW, CAP, HEXAGON SOCKET HEAD	12	0.05
25	N01530136	SCREW, HEXAGONAL	4	0.020
26	804006920000	WASHER, PLAIN	4	0.010
27	MM0406559	SCREW, CAP, HEXAGON SOCKET HEAD	4	.0264
28	MM0378214	SCREW, CAP, HEXAGON SOCKET HEAD	8	.03
29	MM0375764	VALVE, PRESSURE RELIEF	2	2.7
30	MM0409733	VALVE, FLOW CONTROL	1	5





Lokotrack ST3.8 s/n 77916  
MM1048266\_0 TANK, PIPING

Pos.	Part No.	Description	Qty	Net Wght
1	MM1029804	BLOCK	1	10
2	706300790555	TEE	2	0.3
3	706202487270	TERMINAL PLUG	3	.263
4	706300790071	CONNECTOR	6	0.292
5	MM0556498	HYDRAULIC HOSE	4	1
7	706203392200	ADAPTER, MEASURE	1	0.1
8	MM0407278	SCREW, HEXAGONAL	4	.1
9	MM0213028	HYDRAULIC HOSE	2	1.8
10	706202487230	TERMINAL PLUG	1	0.05
11	MM0405230	TERMINAL PLUG	1	.008
12	706300790070	CONNECTOR	2	.16
13	706300790065	CONNECTOR	1	.089
14	704006880000	WASHER, PLAIN	4	0.010
15	MM0360001	WASHER	4	.011
16	704203927080	NUT, HEXAGONAL, TORQUE	4	0.011
17	MM0544494	HYDRAULIC HOSE	1	2.48

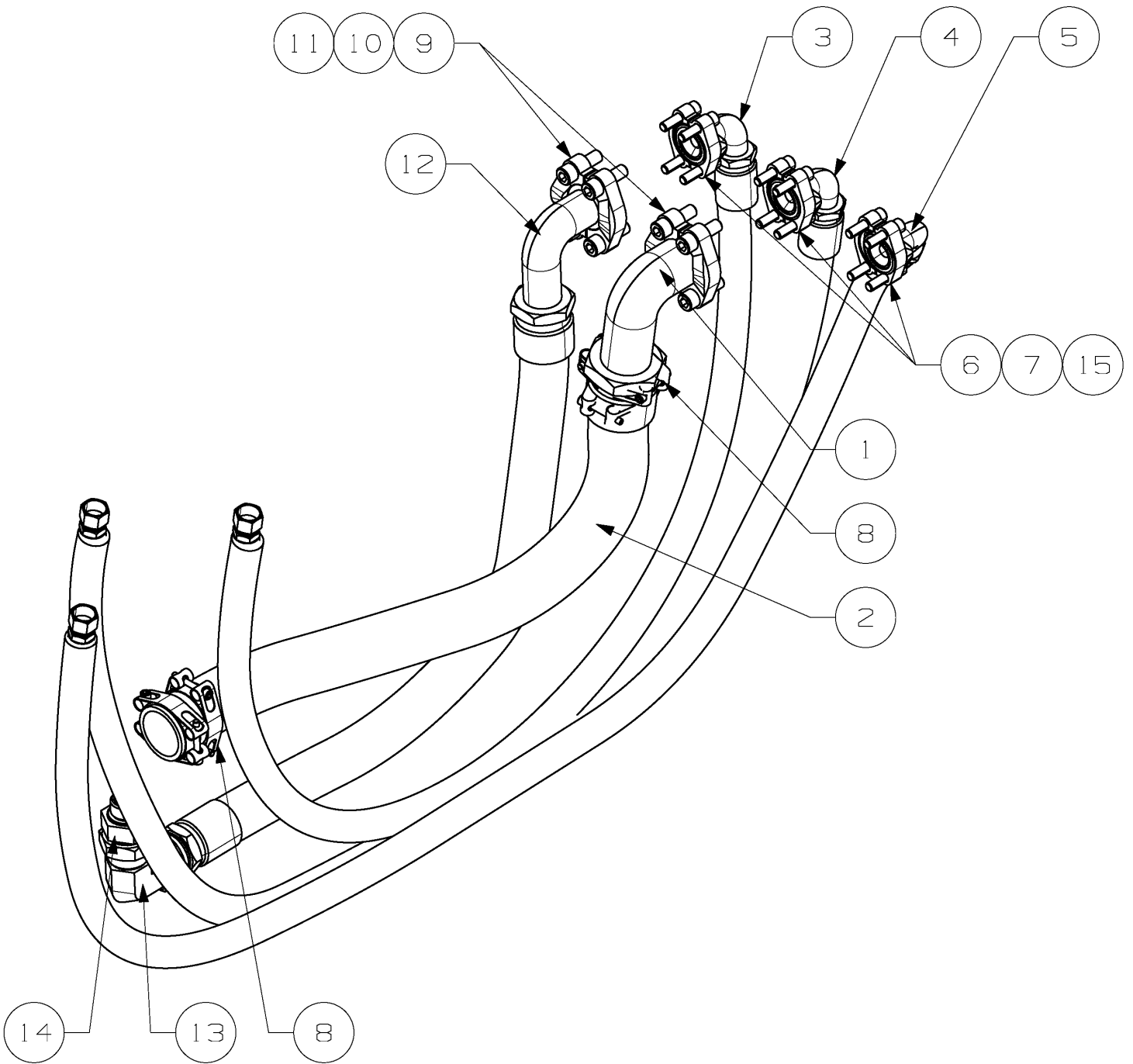




Lokotrack ST3.8 s/n 77916  
MM0547801\_0 HYDRAULICS ASSEMBLY

Pos.	Part No.	Description	Qty	Net Wght
1	MM0543488	PLATE	1	4.72
2	MM0559427	BLOCK	2	8
3	MM0362603	VALVE, DIRECTIONAL	2	3.3
4	706300790066	CONNECTOR	8	0.16
5	MM0255689	SCREW, CAP, HEXAGON SOCKET HEAD	8	0.01
6	804103474100	SCREW, CAP, HEXAGON SOCKET HEAD	8	0.05
7	704006880000	WASHER, PLAIN	8	0.010
8	704203927080	NUT, HEXAGONAL, TORQUE	8	0.011

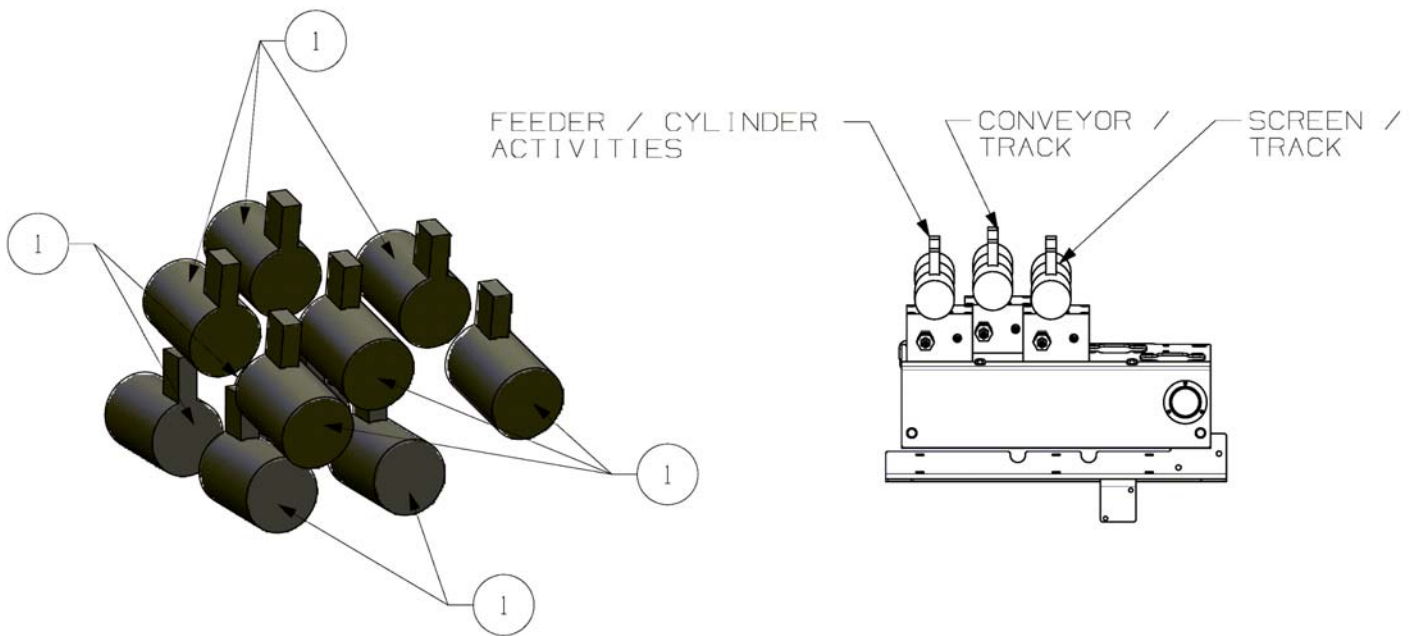






Lokotrack ST3.8 s/n 77916  
MM0565288\_1 PIPING, HYDRAULIC

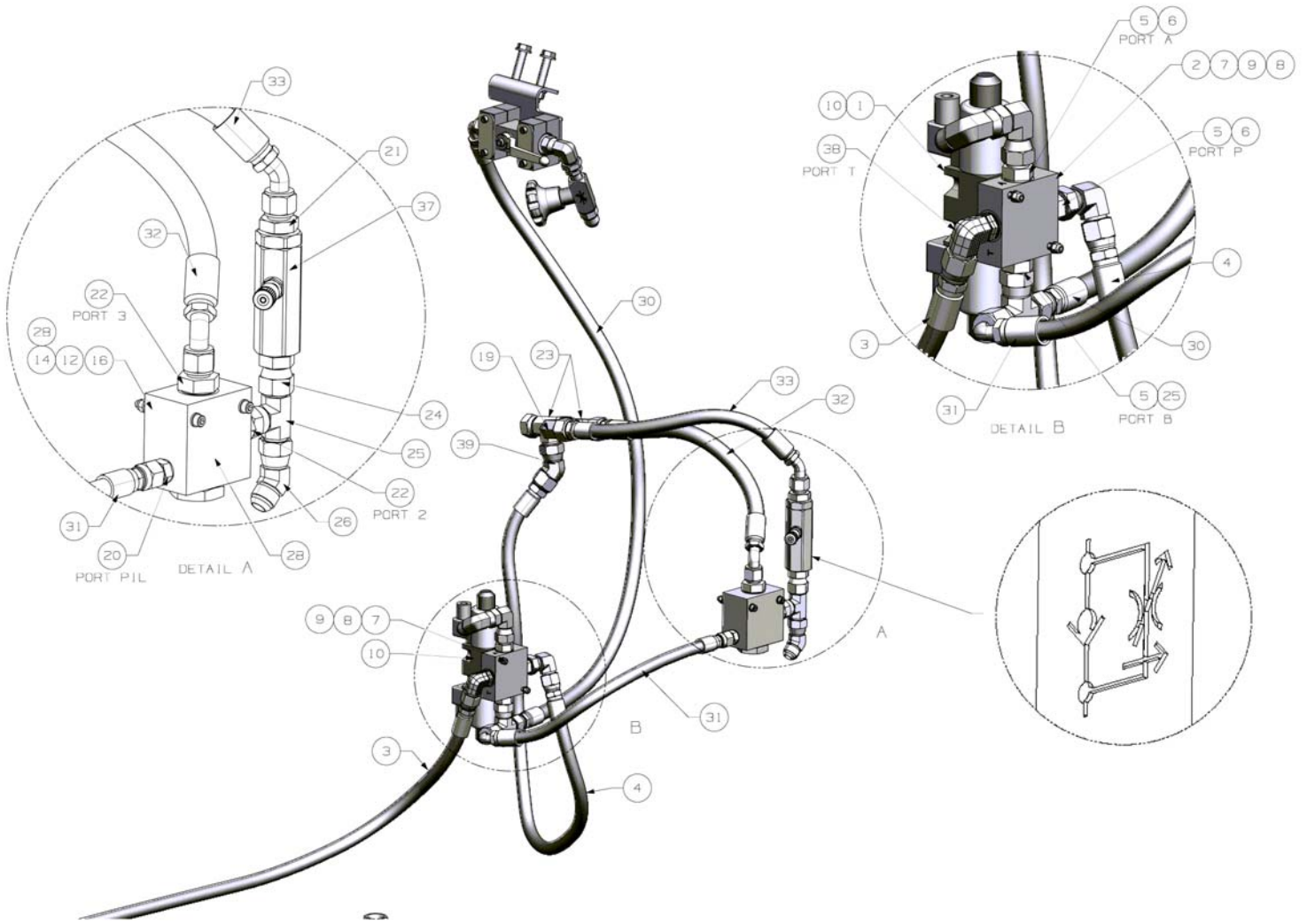
Pos.	Part No.	Description	Qty	Net Wght
1	MM0369350	HOSE CONNECTION	1	2
2	MM1054939	HYDRAULIC HOSE	1	1
3	MM0556486	HYDRAULIC HOSE	1	.71
4	MM0566277	HYDRAULIC HOSE	1	.82
5	MM0556489	HYDRAULIC HOSE	1	.82
6	MM0341691	SCREW, CAP, HEXAGON SOCKET HEAD	12	.1
7	N02111934	SPLIT FLANGE PAIR	3	0.6
8	706300787830	HOSE TIGHTENER	4	0.16
9	704705891100	SCREW, CAP, HEXAGON SOCKET HEAD	8	0.052
10	706203314110	SPLIT FLANGE PAIR	2	0.8
11	804518200400	O-RING	2	0.010
12	MM0561366	HYDRAULIC HOSE	1	.5
13	706300793090	ELBOW	1	0.75
14	706300793005	CONNECTOR	1	0.255
15	704518200200	O-RING	3	0.010





Lokotrack ST3.8 s/n 77916  
MM0564159\_0 HYDRAULICS ASSEMBLY

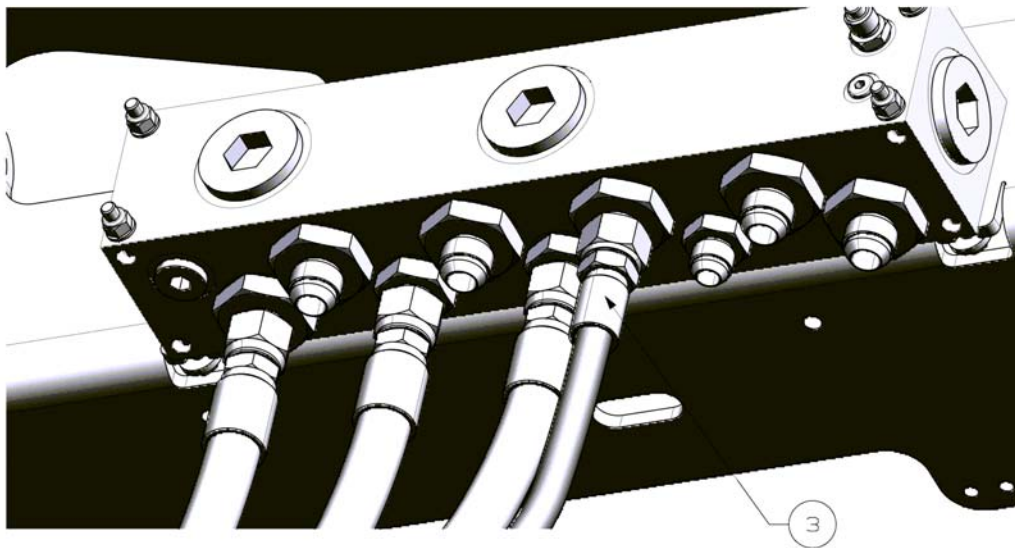
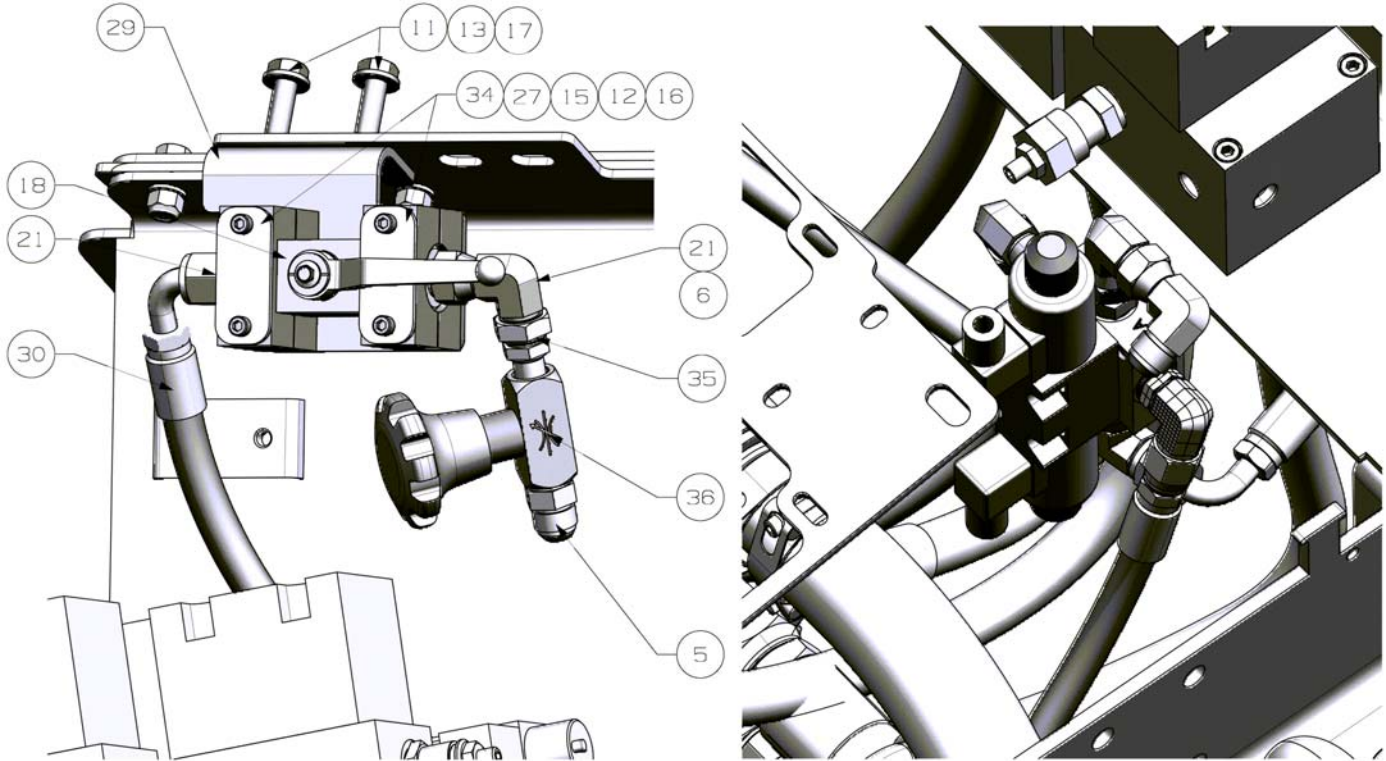
Pos.	Part No.	Description	Qty	Net Wght
1	MM0362561	COIL	10	1.63





Lokotrack ST3.8 s/n 77916  
MM1048246\_0\_1 HYDRAULICS ASSEMBLY

Pos.	Part No.	Description	Qty	Net Wght
1	MM0343705	VALVE, DIRECTIONAL	1	2
2	804513	SUBPLATE	1	0.9
3	MM0552270	HYDRAULIC HOSE	1	.31
4	MM0255773	HYDRAULIC HOSE	1	0.91
5	706300790064	CONNECTOR	4	0.06
6	706300790000	ELBOW	4	0.2
7	704103348400	SCREW, CAP, HEXAGON SOCKET HEAD	2	0.006
8	704203927050	NUT, HEXAGONAL, TORQUE	2	0.010
9	704006830000	WASHER, PLAIN	2	0.001
10	704103348200	SCREW, CAP, HEXAGON SOCKET HEAD	4	0.005
11	7001530210	SCREW, HEXAGONAL	2	0.100
12	704006860000	WASHER, PLAIN	8	0.002
13	704006970000	WASHER, PLAIN	4	0.005
14	704103395160	SCREW, CAP, HEXAGON SOCKET HEAD	2	0.02
15	704103395190	SCREW, CAP, HEXAGON SOCKET HEAD	4	0.02
16	704203927060	NUT, HEXAGONAL, TORQUE	6	0.010
17	704203927120	NUT, HEXAGONAL, TORQUE	2	0.010
18	706203312900	VALVE, BALL	1	0.67
19	706300790002	ELBOW	1	.25
20	706300790059	CONNECTOR	1	.045
21	706300790065	CONNECTOR	3	.089
22	706300790066	CONNECTOR	2	0.16
23	706300790093	TEE	2	0.319
24	706300792350	STUD	1	0.1
25	706300792410	TEE	2	0.2
26	706300793645	ELBOW	1	.12
27	706302547565	PLATE, COVER	2	0.05
28	MM0309730	VALVE, CHECK, PILOT OPERATED	1	1
29	MM0581604	PLATE	1	.56
30	MM0581660	HYDRAULIC HOSE	1	1.01
31	MM0581662	HYDRAULIC HOSE	1	.47
32	MM1048312	HYDRAULIC HOSE	1	.61
33	MM1048307	HYDRAULIC HOSE	1	.57
34	N02118821	FASTENER PAIR	2	0.05
35	N02411044	STUD	1	0.084
36	N02482088	SHUT-OFF VALVE	1	0.375
37	N02482203	VALVE, FLOW CONTROL	1	0.7
38	MM0354462	ELBOW	1	.19
39	706300793650	ELBOW	1	0.203

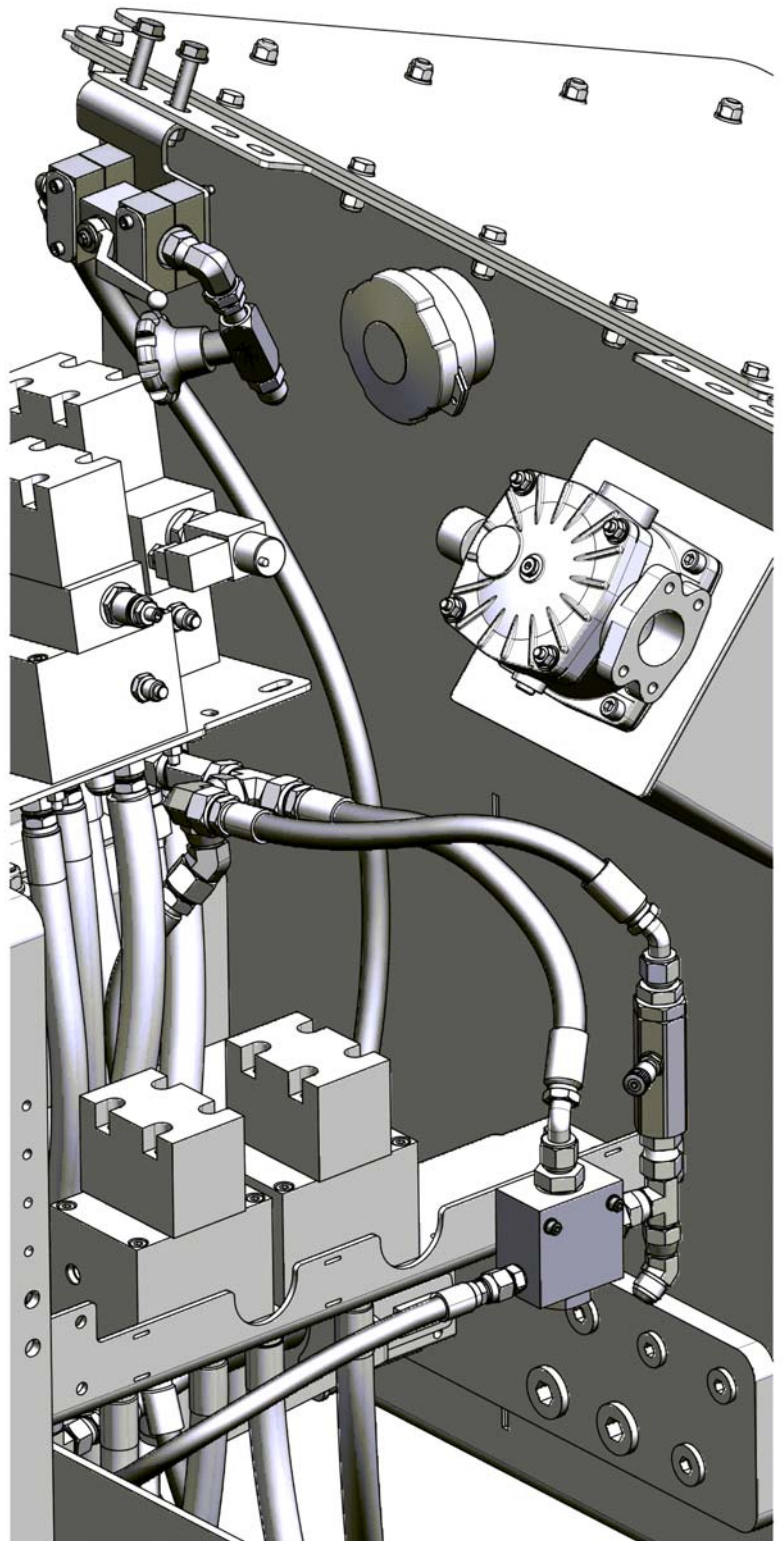
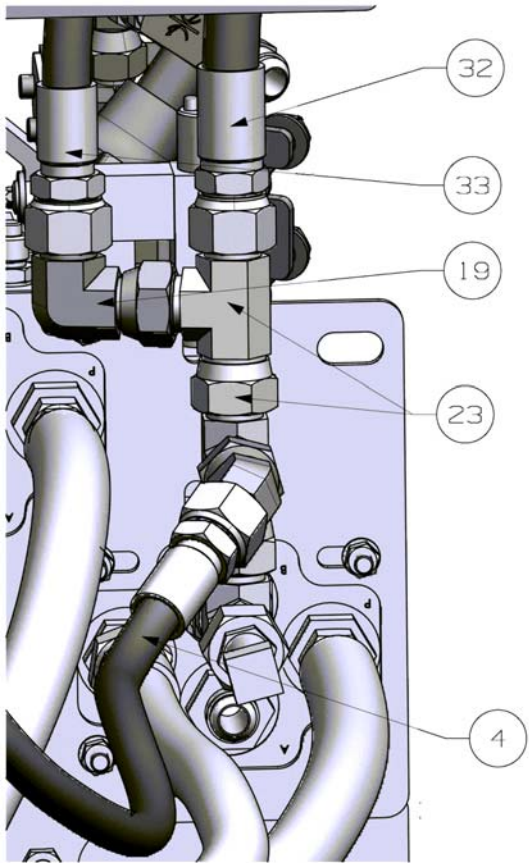




Lokotrack ST3.8 s/n 77916  
MM1048246\_0\_2 HYDRAULICS ASSEMBLY

Pos.	Part No.	Description	Qty	Net Wght
1	MM0343705	VALVE, DIRECTIONAL	1	2
2	804513	SUBPLATE	1	0.9
3	MM0552270	HYDRAULIC HOSE	1	.31
4	MM0255773	HYDRAULIC HOSE	1	0.91
5	706300790064	CONNECTOR	4	0.06
6	706300790000	ELBOW	4	0.2
7	704103348400	SCREW, CAP, HEXAGON SOCKET HEAD	2	0.006
8	704203927050	NUT, HEXAGONAL, TORQUE	2	0.010
9	704006830000	WASHER, PLAIN	2	0.001
10	704103348200	SCREW, CAP, HEXAGON SOCKET HEAD	4	0.005
11	7001530210	SCREW, HEXAGONAL	2	0.100
12	704006860000	WASHER, PLAIN	8	0.002
13	704006970000	WASHER, PLAIN	4	0.005
14	704103395160	SCREW, CAP, HEXAGON SOCKET HEAD	2	0.02
15	704103395190	SCREW, CAP, HEXAGON SOCKET HEAD	4	0.02
16	704203927060	NUT, HEXAGONAL, TORQUE	6	0.010
17	704203927120	NUT, HEXAGONAL, TORQUE	2	0.010
18	706203312900	VALVE, BALL	1	0.67
19	706300790002	ELBOW	1	.25
20	706300790059	CONNECTOR	1	.045
21	706300790065	CONNECTOR	3	.089
22	706300790066	CONNECTOR	2	0.16
23	706300790093	TEE	2	0.319
24	706300792350	STUD	1	0.1
25	706300792410	TEE	2	0.2
26	706300793645	ELBOW	1	.12
27	706302547565	PLATE, COVER	2	0.05
28	MM0309730	VALVE, CHECK, PILOT OPERATED	1	1
29	MM0581604	PLATE	1	.56
30	MM0581660	HYDRAULIC HOSE	1	1.01
31	MM0581662	HYDRAULIC HOSE	1	.47
32	MM1048312	HYDRAULIC HOSE	1	.61
33	MM1048307	HYDRAULIC HOSE	1	.57
34	N02118821	FASTENER PAIR	2	0.05
35	N02411044	STUD	1	0.084
36	N02482088	SHUT-OFF VALVE	1	0.375
37	N02482203	VALVE, FLOW CONTROL	1	0.7
38	MM0354462	ELBOW	1	.19
39	706300793650	ELBOW	1	0.203

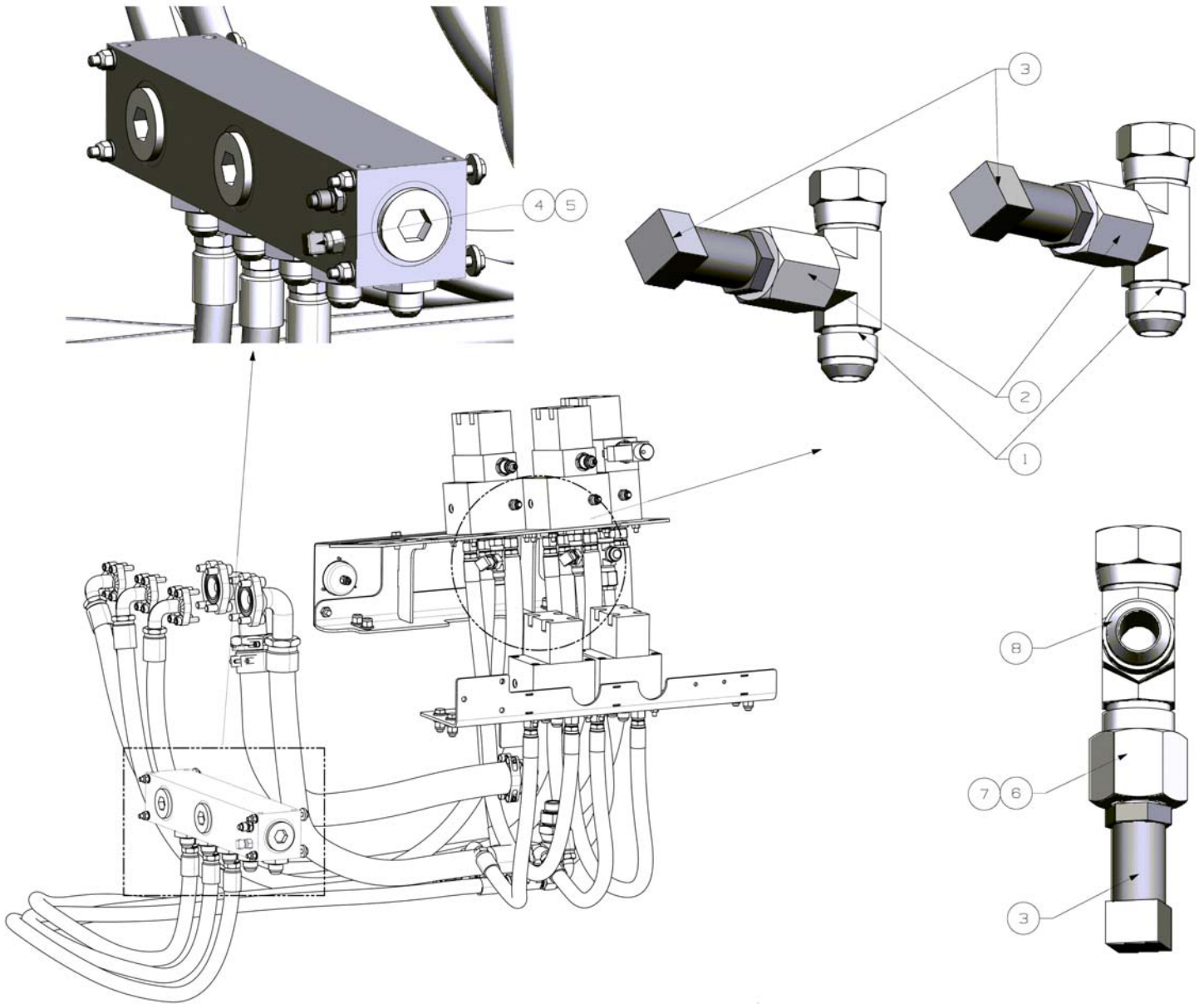






Lokotrack ST3.8 s/n 77916  
MM1048246\_0\_3 HYDRAULICS ASSEMBLY

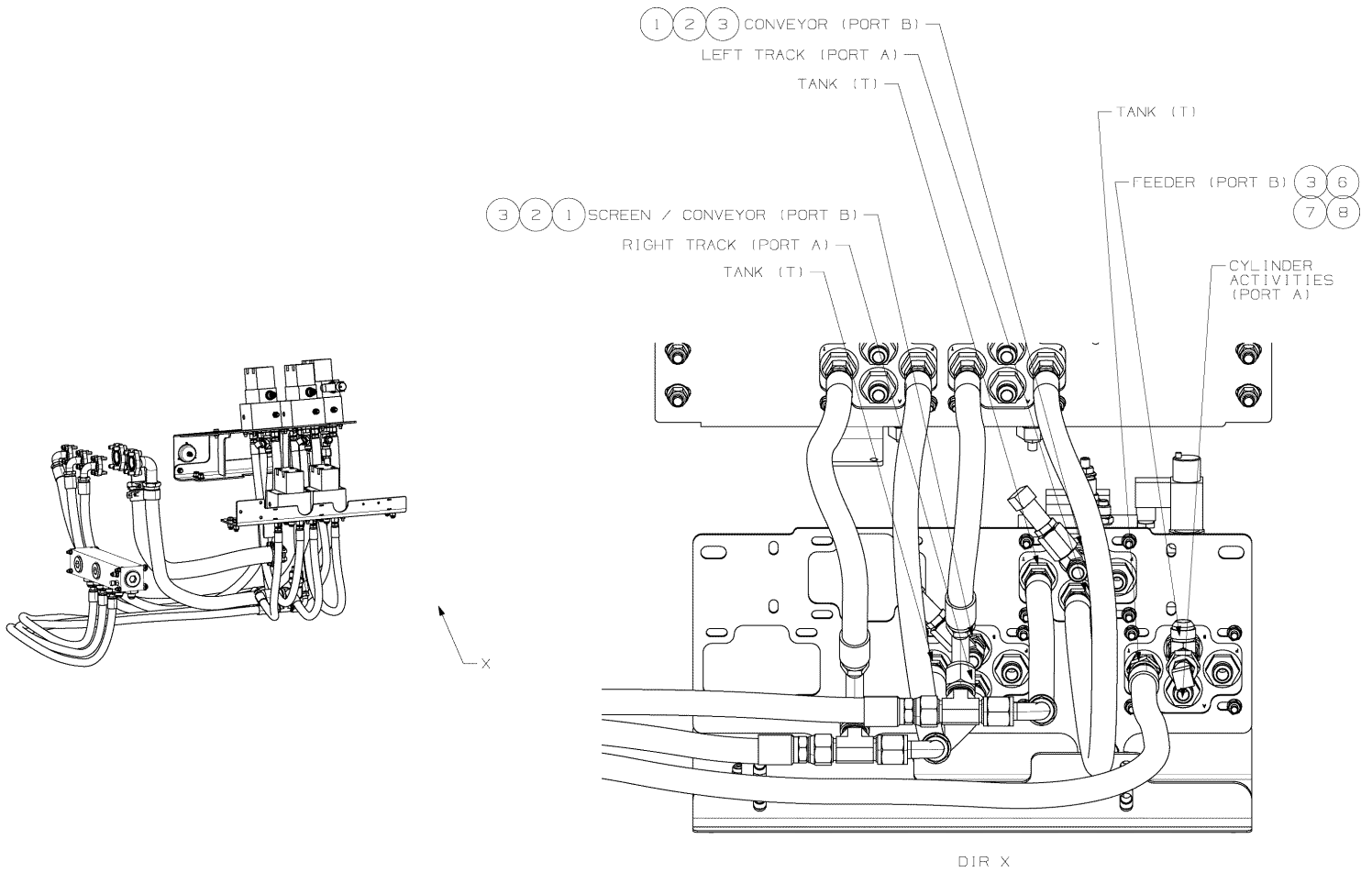
Pos.	Part No.	Description	Qty	Net Wght
1	MM0343705	VALVE, DIRECTIONAL	1	2
2	804513	SUBPLATE	1	0.9
3	MM0552270	HYDRAULIC HOSE	1	.31
4	MM0255773	HYDRAULIC HOSE	1	0.91
5	706300790064	CONNECTOR	4	0.06
6	706300790000	ELBOW	4	0.2
7	704103348400	SCREW, CAP, HEXAGON SOCKET HEAD	2	0.006
8	704203927050	NUT, HEXAGONAL, TORQUE	2	0.010
9	704006830000	WASHER, PLAIN	2	0.001
10	704103348200	SCREW, CAP, HEXAGON SOCKET HEAD	4	0.005
11	7001530210	SCREW, HEXAGONAL	2	0.100
12	704006860000	WASHER, PLAIN	8	0.002
13	704006970000	WASHER, PLAIN	4	0.005
14	704103395160	SCREW, CAP, HEXAGON SOCKET HEAD	2	0.02
15	704103395190	SCREW, CAP, HEXAGON SOCKET HEAD	4	0.02
16	704203927060	NUT, HEXAGONAL, TORQUE	6	0.010
17	704203927120	NUT, HEXAGONAL, TORQUE	2	0.010
18	706203312900	VALVE, BALL	1	0.67
19	706300790002	ELBOW	1	.25
20	706300790059	CONNECTOR	1	.045
21	706300790065	CONNECTOR	3	.089
22	706300790066	CONNECTOR	2	0.16
23	706300790093	TEE	2	0.319
24	706300792350	STUD	1	0.1
25	706300792410	TEE	2	0.2
26	706300793645	ELBOW	1	.12
27	706302547565	PLATE, COVER	2	0.05
28	MM0309730	VALVE, CHECK, PILOT OPERATED	1	1
29	MM0581604	PLATE	1	.56
30	MM0581660	HYDRAULIC HOSE	1	1.01
31	MM0581662	HYDRAULIC HOSE	1	.47
32	MM1048312	HYDRAULIC HOSE	1	.61
33	MM1048307	HYDRAULIC HOSE	1	.57
34	N02118821	FASTENER PAIR	2	0.05
35	N02411044	STUD	1	0.084
36	N02482088	SHUT-OFF VALVE	1	0.375
37	N02482203	VALVE, FLOW CONTROL	1	0.7
38	MM0354462	ELBOW	1	.19
39	706300793650	ELBOW	1	0.203





Lokotrack ST3.8 s/n 77916  
MM1051128\_0\_1 HYDRAULICS ASSEMBLY

Pos.	Part No.	Description	Qty	Net Wght
1	706300790092	TEE	2	0.2
2	706300790140	PLUG	2	0.102
3	MM0230524	TRANSMITTER, PRESSURE	3	.058
4	706302167500	SEAL	1	0.01
5	N02495333	SENSOR, TEMPERATURE	1	0.0241
6	706300790150	PLUG	1	0.04
7	706300792150	NUT	1	0.07
8	706300790093	TEE	1	0.319





Lokotrack ST3.8 s/n 77916  
MM1051128\_0\_2 HYDRAULICS ASSEMBLY

Pos.	Part No.	Description	Qty	Net Wght
1	706300790092	TEE	2	0.2
2	706300790140	PLUG	2	0.102
3	MM0230524	TRANSMITTER, PRESSURE	3	.058
4	706302167500	SEAL	1	0.01
5	N02495333	SENSOR, TEMPERATURE	1	0.0241
6	706300790150	PLUG	1	0.04
7	706300792150	NUT	1	0.07
8	706300790093	TEE	1	0.319





Lokotrack ST3.8 s/n 77916  
MM0373502\_2 ELECTRIFICATION

Pos.	Part No.	Description	Qty	Net Wght	Page
1	MM0373504	CABLE GROUP	1	5	79
E2	MM0413097	ELECTRIC CENTER	1		81
1H06	N05224012	HORN	1	0.650	
1K04	N05255879	RELAY	1	0.5	
2S01	707301295200	MAIN CURRENT SWITCH RELAY	1	1.5	
2S03	MM0330787	SWITCH, SELECTOR	1	2	
	MM0330859	LOCKING ASSEMBLY	1	.5	

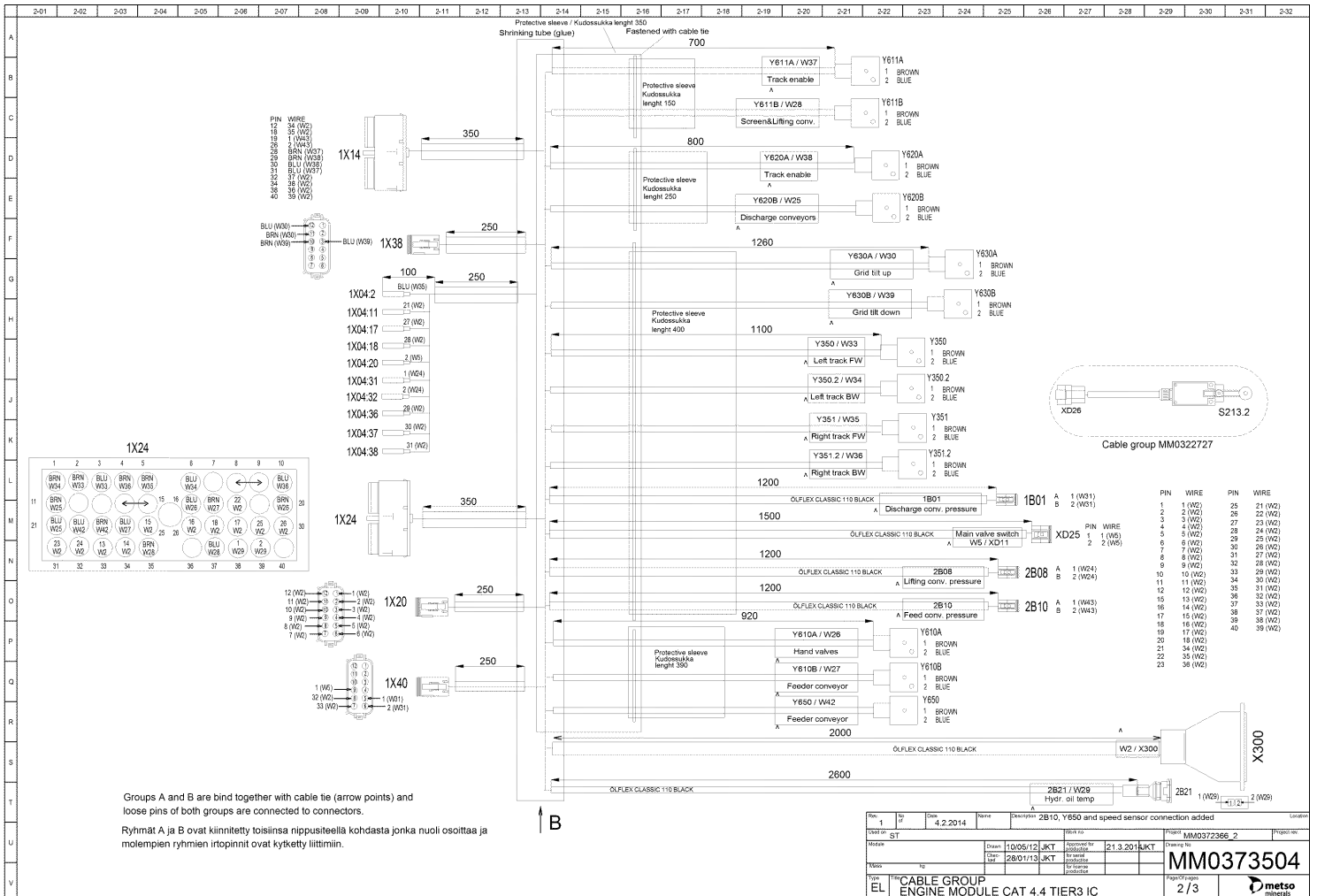






Lokotrack ST3.8 s/n 77916  
MM0373504\_1\_1 CABLE GROUP

Pos.	Part No.	Description	Qty	Net Wght	Page
1	N05222002	EMERGENCY STOP SWITCH	2	.23	
2	MM0322727	CABLE GROUP	1	.65	80
1B01	N05227911	PLUG	1	0.01	
1B12	N05227097	SOCKET CABLE	1	0.1	
1X02	N11449660	PLUG	1	.01	
1X04	N11449933	CONNECTOR	1	0.13	
1X10	N11449660	PLUG	1	.01	
1X14	N11449933	CONNECTOR	1	0.13	
1X18	N11449656	PLUG	1	0.113	
1X20	N11449658	PLUG	1	0.454	
1X22	N11449658	PLUG	1	0.454	
1X24	N11449933	CONNECTOR	1	0.13	
1X38	N11449658	PLUG	1	0.454	
1X40	N11449658	PLUG	1	0.454	
2B01	MM0255085	PLUG	1	.009	
2B08	N05227911	PLUG	1	0.01	
2B10	N05227911	PLUG	1	0.01	
2B20	N05227908	CONNECTOR	1	0.45	
2B21	N05227916	COVER, RUBBER	1		
	N05227917	CONNECTOR	1	.01	
2F20	N05256635	FUSE	1	0.01	
	N05256636	FUSE HOLDER	1	0.05	
2F21	MM0233212	FUSE	1	0.01	
2F22	N05255398	FUSE BOX	1	.07	
	707301405500	FUSE	1	0.01	
2F23	707301405300	FUSE	1	0.01	
2F24	707301405450	FUSE	1	0.01	
2X50	N11459264	PLUG	1		
X141	707301593522	DEVICE BRACKET	1	0.3	
X300	N11449932	SOCKET	1	0.15	
XD20	N05227949	CONNECTOR, CABLE	1	0.01	
XD25	N11449656	PLUG	1	0.113	
XD66	MM0316663	PLUG	1	.014	
XD67	MM0269286	SOCKET	1	0.01	
Y650	MM0320239	SOCKET CABLE	1	.1	
Yxxx	707600400050	SOCKET CABLE	12	0.3	





Lokotrack ST3.8 s/n 77916  
MM0373504\_1\_2 CABLE GROUP

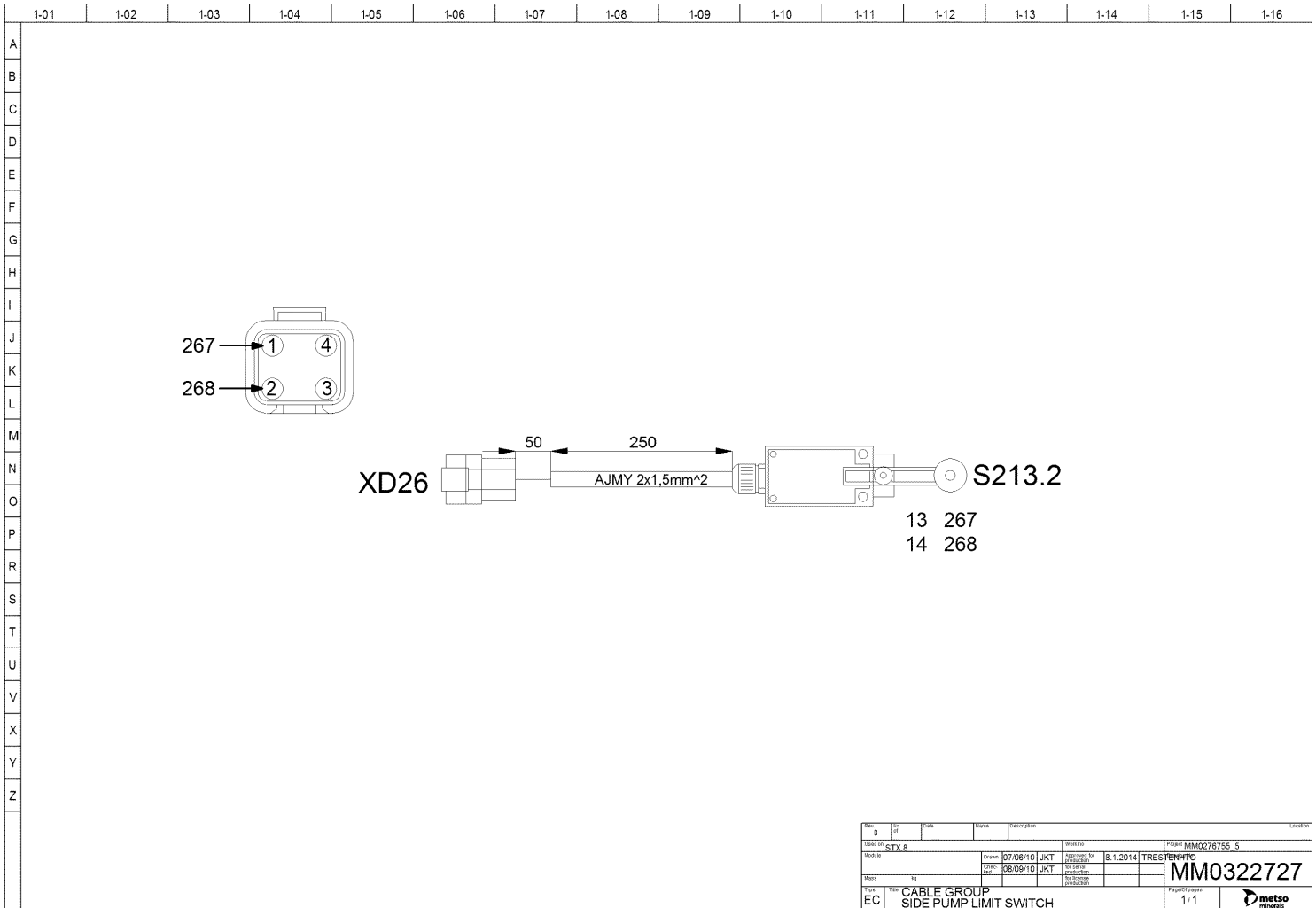
Pos.	Part No.	Description	Qty	Net Wght	Page
1	N05222002	EMERGENCY STOP SWITCH	2	.23	
2	MM0322727	CABLE GROUP	1	.65	80
1B01	N05227911	PLUG	1	0.01	
1B12	N05227097	SOCKET CABLE	1	0.1	
1X02	N11449660	PLUG	1	.01	
1X04	N11449933	CONNECTOR	1	0.13	
1X10	N11449660	PLUG	1	.01	
1X14	N11449933	CONNECTOR	1	0.13	
1X18	N11449656	PLUG	1	0.113	
1X20	N11449658	PLUG	1	0.454	
1X22	N11449658	PLUG	1	0.454	
1X24	N11449933	CONNECTOR	1	0.13	
1X38	N11449658	PLUG	1	0.454	
1X40	N11449658	PLUG	1	0.454	
2B01	MM0255085	PLUG	1	.009	
2B08	N05227911	PLUG	1	0.01	
2B10	N05227911	PLUG	1	0.01	
2B20	N05227908	CONNECTOR	1	0.45	
2B21	N05227916	COVER, RUBBER	1		
	N05227917	CONNECTOR	1	.01	
2F20	N05256635	FUSE	1	0.01	
	N05256636	FUSE HOLDER	1	0.05	
2F21	MM0233212	FUSE	1	0.01	
2F22	N05255398	FUSE BOX	1	.07	
	707301405500	FUSE	1	0.01	
2F23	707301405300	FUSE	1	0.01	
2F24	707301405450	FUSE	1	0.01	
2X50	N11459264	PLUG	1		
X141	707301593522	DEVICE BRACKET	1	0.3	
X300	N11449932	SOCKET	1	0.15	
XD20	N05227949	CONNECTOR, CABLE	1	0.01	
XD25	N11449656	PLUG	1	0.113	
XD66	MM0316663	PLUG	1	.014	
XD67	MM0269286	SOCKET	1	0.01	
Y650	MM0320239	SOCKET CABLE	1	.1	
Yxxx	707600400050	SOCKET CABLE	12	0.3	





Lokotrack ST3.8 s/n 77916  
MM0373504\_1\_3 CABLE GROUP

Pos.	Part No.	Description	Qty	Net Wght	Page
1	N05222002	EMERGENCY STOP SWITCH	2	.23	
2	MM0322727	CABLE GROUP	1	.65	80
1B01	N05227911	PLUG	1	0.01	
1B12	N05227097	SOCKET CABLE	1	0.1	
1X02	N11449660	PLUG	1	.01	
1X04	N11449933	CONNECTOR	1	0.13	
1X10	N11449660	PLUG	1	.01	
1X14	N11449933	CONNECTOR	1	0.13	
1X18	N11449656	PLUG	1	0.113	
1X20	N11449658	PLUG	1	0.454	
1X22	N11449658	PLUG	1	0.454	
1X24	N11449933	CONNECTOR	1	0.13	
1X38	N11449658	PLUG	1	0.454	
1X40	N11449658	PLUG	1	0.454	
2B01	MM0255085	PLUG	1	.009	
2B08	N05227911	PLUG	1	0.01	
2B10	N05227911	PLUG	1	0.01	
2B20	N05227908	CONNECTOR	1	0.45	
2B21	N05227916	COVER, RUBBER	1		
	N05227917	CONNECTOR	1	.01	
2F20	N05256635	FUSE	1	0.01	
	N05256636	FUSE HOLDER	1	0.05	
2F21	MM0233212	FUSE	1	0.01	
2F22	N05255398	FUSE BOX	1	.07	
	707301405500	FUSE	1	0.01	
2F23	707301405300	FUSE	1	0.01	
2F24	707301405450	FUSE	1	0.01	
2X50	N11459264	PLUG	1		
X141	707301593522	DEVICE BRACKET	1	0.3	
X300	N11449932	SOCKET	1	0.15	
XD20	N05227949	CONNECTOR, CABLE	1	0.01	
XD25	N11449656	PLUG	1	0.113	
XD66	MM0316663	PLUG	1	.014	
XD67	MM0269286	SOCKET	1	0.01	
Y650	MM0320239	SOCKET CABLE	1	.1	
Yxxx	707600400050	SOCKET CABLE	12	0.3	

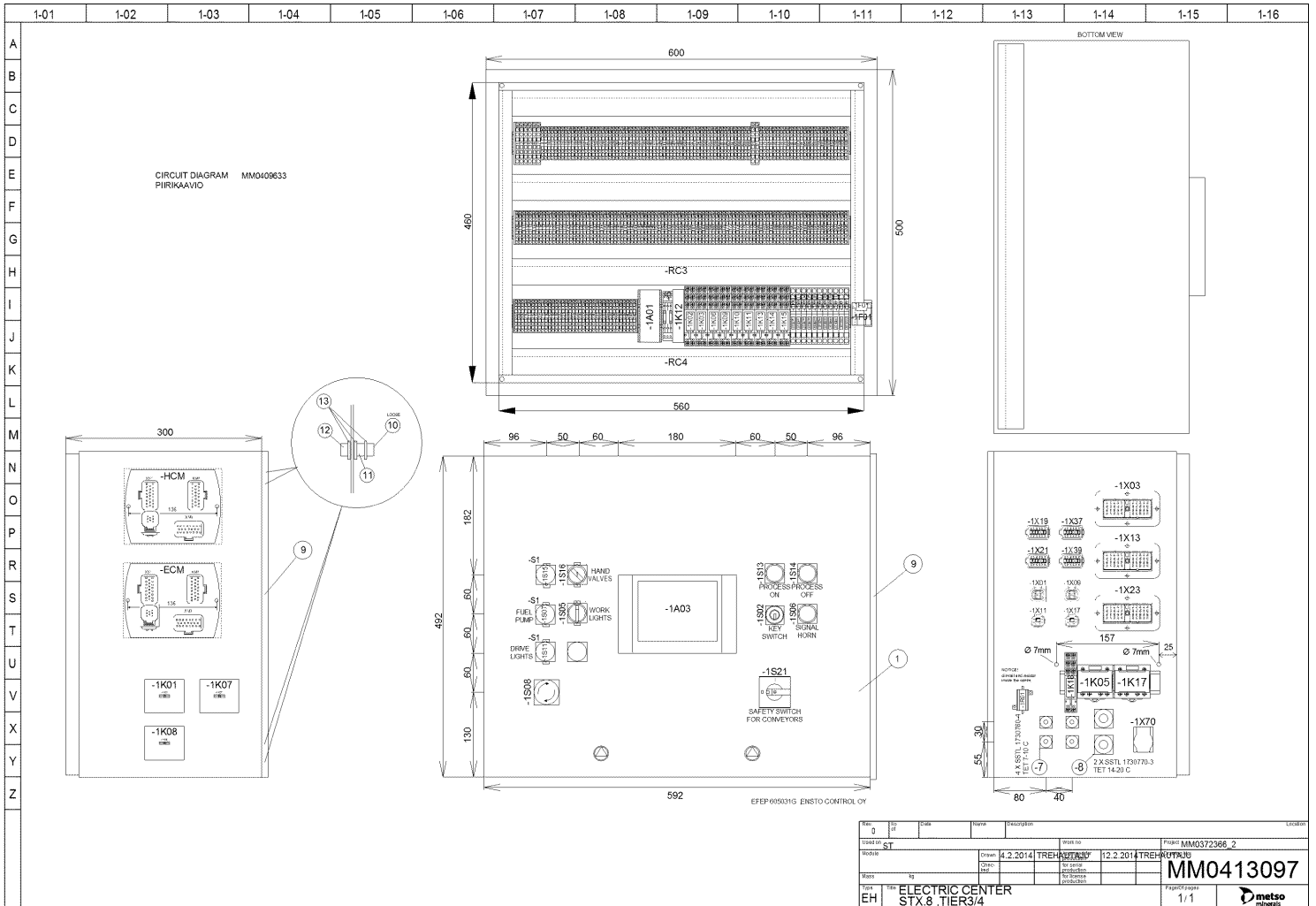




Lokotrack ST3.8 s/n 77916  
MM0322727\_0 CABLE GROUP

Pos.	Part No.	Description	Qty	Net Wght
1	N05222247	LIMIT SWITCH	1	0.25
XD26	N11449655	SOCKET	1	.01







Lokotrack ST3.8 s/n 77916  
MM0413097\_0\_1 ELECTRIC CENTER

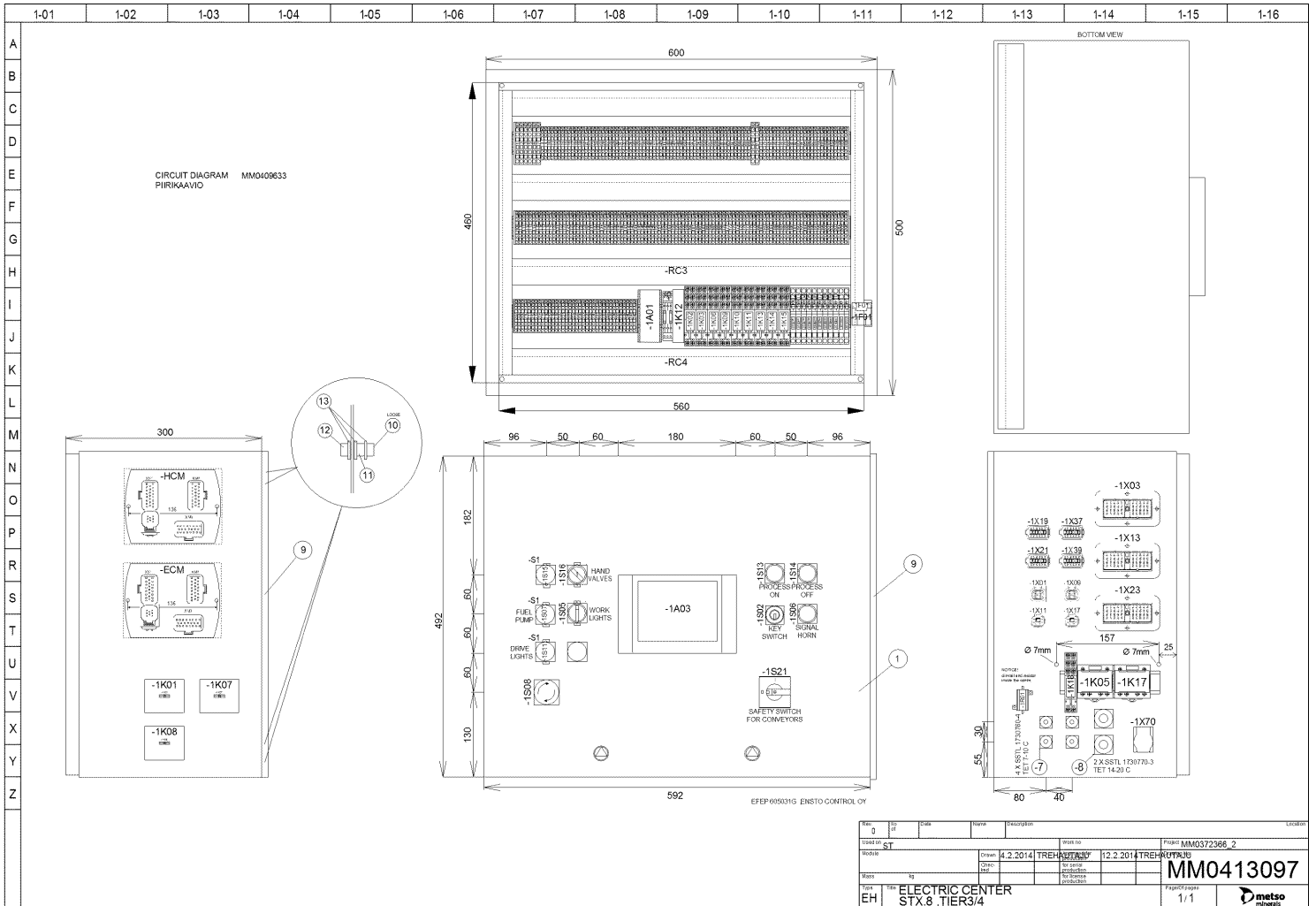
Pos.	Part No.	Description	Qty	Net Wght	Page
-1A01	N05256607	RELAY	1	0.2	
-1A03	MM0230729	CABLE GROUP	1	0.12	82
	MM0261809	DISPLAY UNIT	1	1	
-1F01	N05255990	FUSE	1	0.006	
	N05255991	FUSE HOLDER	1	0.05	
-1F02	MM0236196	FUSE BASE	1	0.026	
	707301405500	FUSE	1	0.01	
-1F03	MM0236196	FUSE BASE	1	0.026	
-1F04	MM0236196	FUSE BASE	1	0.026	
	707301405300	FUSE	1	0.01	
-1F05	MM0236196	FUSE BASE	1	0.026	
	707301405300	FUSE	1	0.01	
-1F06	MM0236196	FUSE BASE	1	0.026	
	707301405400	FUSE	1	0.0015	
-1F07	MM0236196	FUSE BASE	1	0.026	
	707301405300	FUSE	1	0.01	
-1F08	N05256975	FUSE BASE	1	0.02068	
	707301405300	FUSE	1	0.01	
-1F09	MM0236196	FUSE BASE	1	0.026	
	707301405300	FUSE	1	0.01	
-1F10	MM0236196	FUSE BASE	1	0.026	
	707301405250	FUSE	1	0.01	
-1F11	MM0236196	FUSE BASE	1	0.026	
	707301405250	FUSE	1	0.01	
-1F12	MM0236196	FUSE BASE	1	0.026	
	707301405400	FUSE	1	0.0015	
-1K01	807302340000	RECTIFIER DIODE	1	0.006	
	707301294900	RELAY	1	0.0905	
-1K02	MM0273214	RELAY BASE	1	0.05	
	707302282500	RELAY	1	0.05	
-1K03	MM0273214	RELAY BASE	1	0.05	
	707302282500	RELAY	1	0.05	
-1K05	MM0273207	RELAY	1	0.09	
	MM0273684	RELAY BASE	1	0.090	
-1K06	MM0273214	RELAY BASE	1	0.05	
	707302282500	RELAY	1	0.05	
-1K07	807302340000	RECTIFIER DIODE	1	0.006	
	707301294900	RELAY	1	0.0905	
-1K08	807302340000	RECTIFIER DIODE	1	0.006	
	707301294900	RELAY	1	0.0905	
-1K09	MM0273214	RELAY BASE	1	0.05	
		CONTINUES ON THE NEXT PAGE			81-2





Lokotrack ST3.8 s/n 77916  
MM0413097\_0\_2 ELECTRIC CENTER

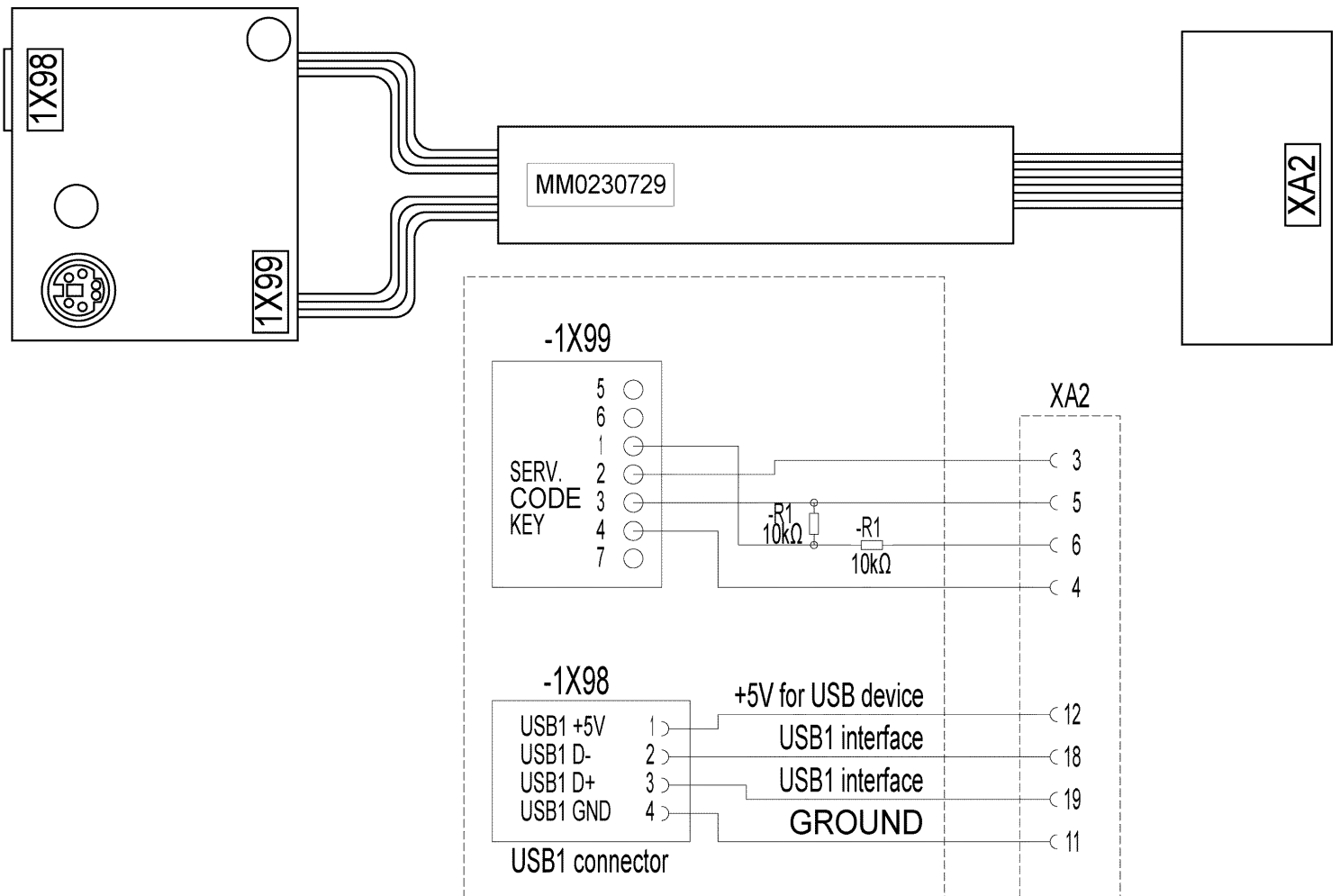
Pos.	Part No.	Description	Qty	Net Wght	Page
		STARTED ON THE PREVIOUS PAGE			81
-1K09	707302282500	RELAY	1	0.05	
-1K10	MM0273214	RELAY BASE	1	0.05	
	707302282500	RELAY	1	0.05	
-1K11	MM0273214	RELAY BASE	1	0.05	
	707302282500	RELAY	1	0.05	
-1K12	N05256315	TIME RELAY	1	0.075	
-1K13	MM0273214	RELAY BASE	1	0.05	
	707302282500	RELAY	1	0.05	
-1K14	MM0273214	RELAY BASE	1	0.05	
	707302282500	RELAY	1	0.05	
-1K15	MM0273214	RELAY BASE	1	0.05	
	707302282500	RELAY	1	0.05	
-1K16	MM0273214	RELAY BASE	1	0.05	
	707302282500	RELAY	1	0.05	
-1S02	N05227128	KEY SWITCH	1	0.1	
-1S05	MM0273202	CONTACT ELEMENT	1	0.05	
	N05256540	SWITCH	1	0.01	
-1S06	N05256382	SWITCH, PUSH BUTTON	1	0.009	
-1S07	MM0273202	CONTACT ELEMENT	1	0.05	
-1S08	N05222003	EMERGENCY STOP SWITCH	1	0.064	
-1S11	MM0273202	CONTACT ELEMENT	1	0.05	
-1S13	N05256382	SWITCH, PUSH BUTTON	1	0.009	
-1S14	N05256382	SWITCH, PUSH BUTTON	1	0.009	
-1S15	MM0273202	CONTACT ELEMENT	1	0.05	
-1S16	MM0273202	CONTACT ELEMENT	1	0.05	
	N05256540	SWITCH	1	0.01	
-1S21	MM0219537	SAFETY SWITCH	1	0.15	
-1X01	N11449659	SOCKET	1	0.05	
-1X03	N11449932	SOCKET	1	0.15	
-1X09	N11449659	SOCKET	1	0.05	
-1X1	N05256418	BLOCK, TERMINAL	222	0.00846	
	N05256951	BLOCK, TERMINAL	8	0.01232	
	N05255715	CASE	1	15	
-1X11	N11449655	SOCKET	1	.01	
-1X13	N11449932	SOCKET	1	0.15	
-1X17	N11449655	SOCKET	1	.01	
-1X19	N11449657	SOCKET	1	0.05	
-1X21	N11449657	SOCKET	1	0.05	
-1X23	N11449932	SOCKET	1	0.15	
-1X37	N11449657	SOCKET	1	0.05	
		CONTINUES ON THE NEXT PAGE			81-3





Lokotrack ST3.8 s/n 77916  
MM0413097\_0\_3 ELECTRIC CENTER

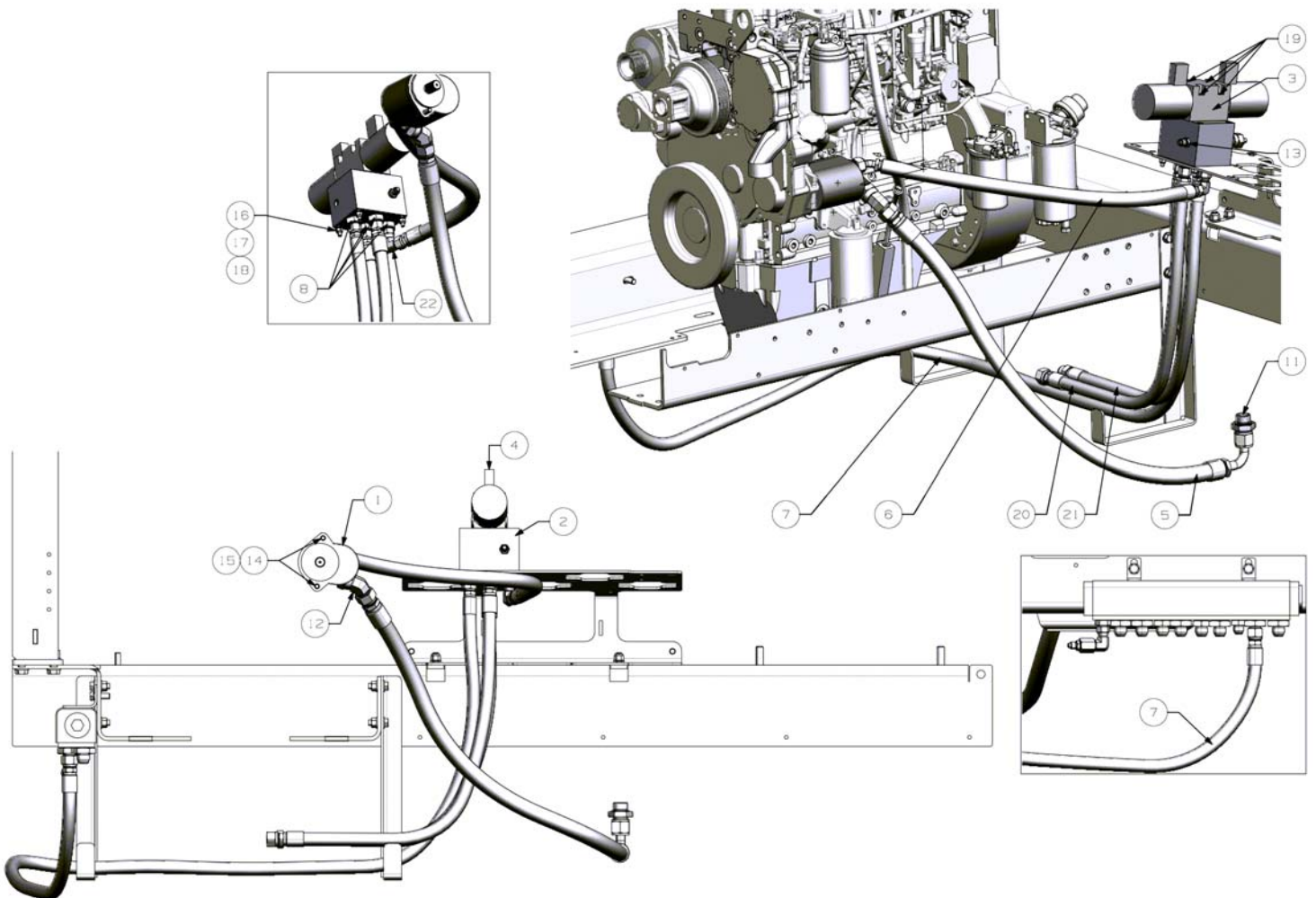
Pos.	Part No.	Description	Qty	Net Wght	Page
		STARTED ON THE PREVIOUS PAGE			81-2
-1X39	N11449657	SOCKET	1	0.05	
-1X70	707302186000	PLUG POINT	1	0.2	
-ECM	N02495179	PROGRAMMABLE LOGIC CONTROLLER	1	0.7	
-ECM_XM1	N11449748	PLUG	1	0.036	
-ECM_XM2	N11449749	PLUG	1	.01	
-ECM_XM3	N11449747	PLUG	1	0.5	
-ECM_XM4	MM0367017	PLUG	1	0.018	
-HCM	N02495179	PROGRAMMABLE LOGIC CONTROLLER	1	0.7	
-HCM_XM1	N11449748	PLUG	1	0.036	
-HCM_XM2	N11449749	PLUG	1	.01	
-HCM_XM3	N11449747	PLUG	1	0.5	
-HCM_XM4	MM0367017	PLUG	1	0.018	
-RC3	931020	DC FILTER	1	0.1	
-RC4	931020	DC FILTER	1	0.1	
-S1	707301906800	TERMINAL PLUG	3	0.007	
1	MM0399734	STICKER	1		
6	944962	RESISTOR	1		
7	707701713510	GROMMET	4	.03	
8	707701713530	GROMMET	2	.03	
9	MM0329918	INSULATION PLATE	1	1.15	
10	704203927080	NUT, HEXAGONAL, TORQUE	4	0.011	
11	7001563008	NUT, HEXAGONAL	8	0.005	
12	N01530113	BOLT, HEXAGONAL	4	0.020	
13	N01621220	WASHER	16	0.0113	
1F03	707301405500	FUSE	1	0.01	
1K17	MM0273207	RELAY	1	0.09	
	MM0273684	RELAY BASE	1	0.090	
1K18	MM0273214	RELAY BASE	1	0.05	
	707302282500	RELAY	1	0.05	
1R01	MM0413799	RESISTOR	1	.02	



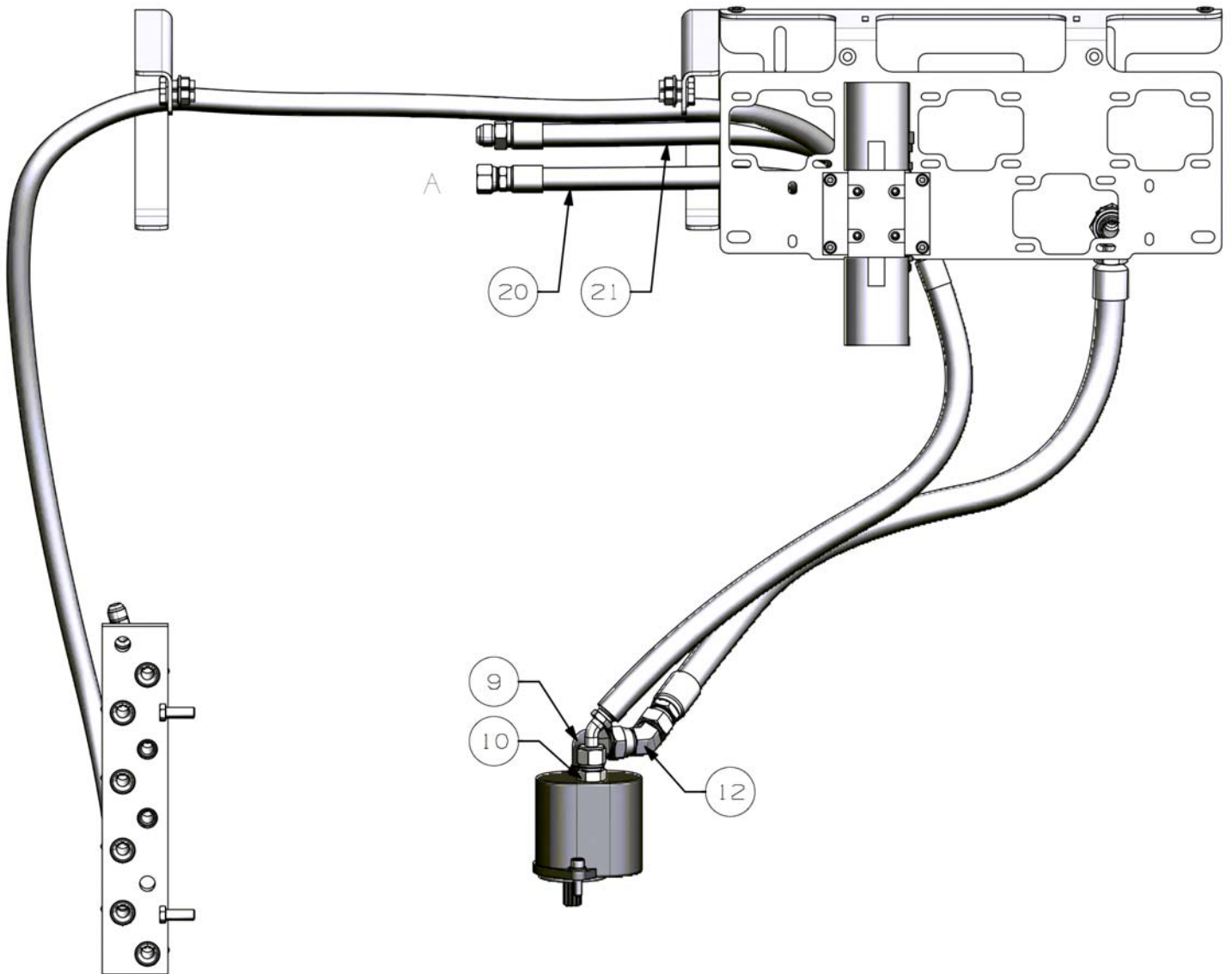
Description
-------------

THIS PAGE HAS BEEN LEFT INTENTIONALLY BLANK

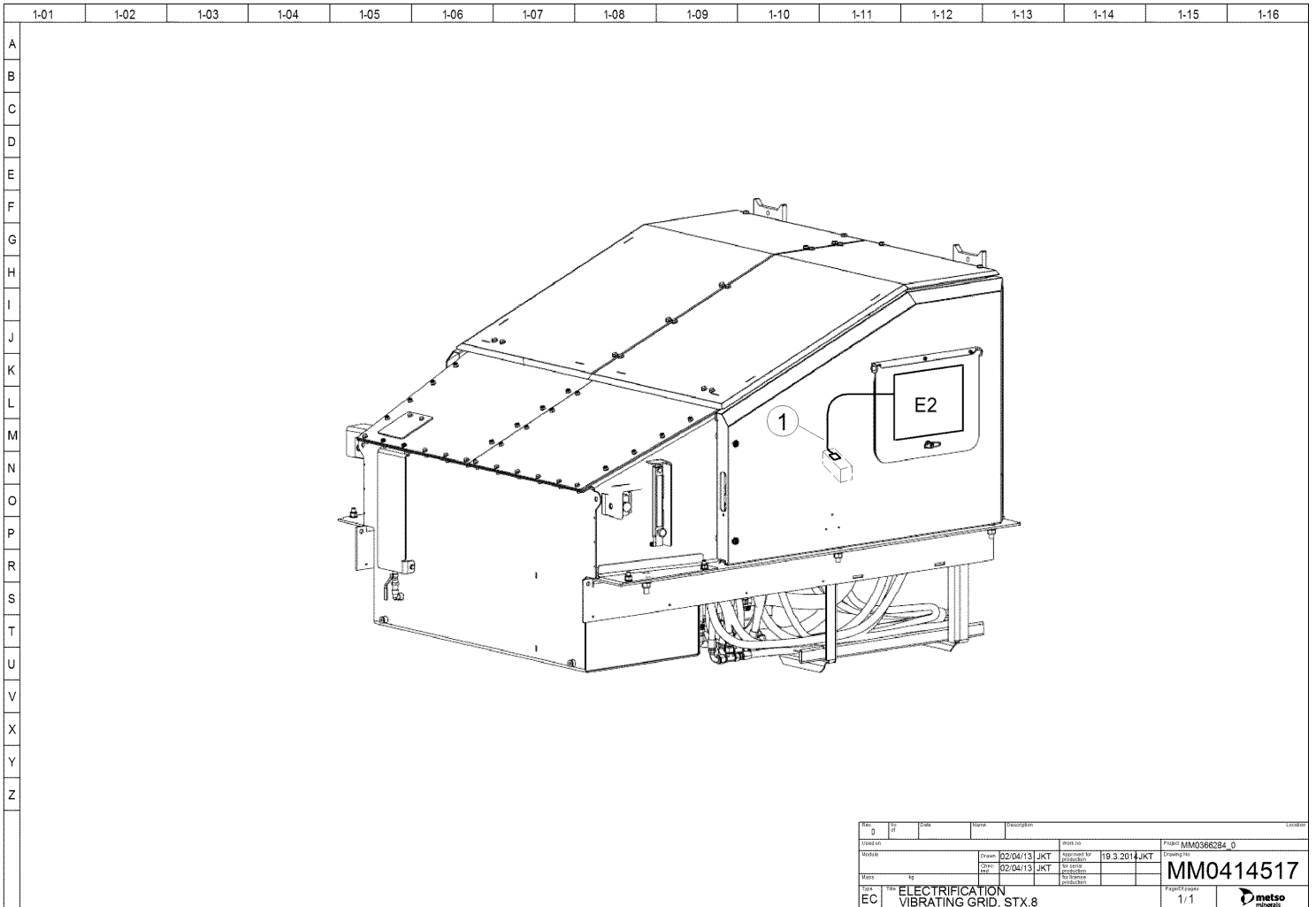




Pos.	Part No.	Description	Qty	Net Wght
1	MM0408275	PUMP, HYDRAULIC	1	8.6
2	MM0559427	BLOCK	1	8
3	MM0362603	VALVE, DIRECTIONAL	1	3.3
4	MM0362561	COIL	2	1.63
5	MM0594807	HYDRAULIC HOSE	1	2
6	MM1039741	HYDRAULIC HOSE	1	1.71
7	MM0551772	HYDRAULIC HOSE	1	2.5
8	706300790066	CONNECTOR	4	0.16
9	706300790022	ELBOW	1	0.42
10	706300793042	CONNECTOR	1	0.134
11	706300792339	CONNECTOR	1	0.3
12	706300793655	ELBOW	1	0.335
13	706203392200	ADAPTER, MEASURE	1	0.1
14	704103510000	SCREW, CAP, HEXAGON SOCKET HEAD	2	0.030
15	804006920000	WASHER, PLAIN	2	0.010
16	804103474100	SCREW, CAP, HEXAGON SOCKET HEAD	4	0.05
17	704203927080	NUT, HEXAGONAL, TORQUE	4	0.011
18	704006880000	WASHER, PLAIN	4	0.010
19	MM0255689	SCREW, CAP, HEXAGON SOCKET HEAD	4	0.01
20	MM0227136	HYDRAULIC HOSE	1	0.8
21	MM0570603	HYDRAULIC HOSE	1	1.24
22	706300790000	ELBOW	1	0.2



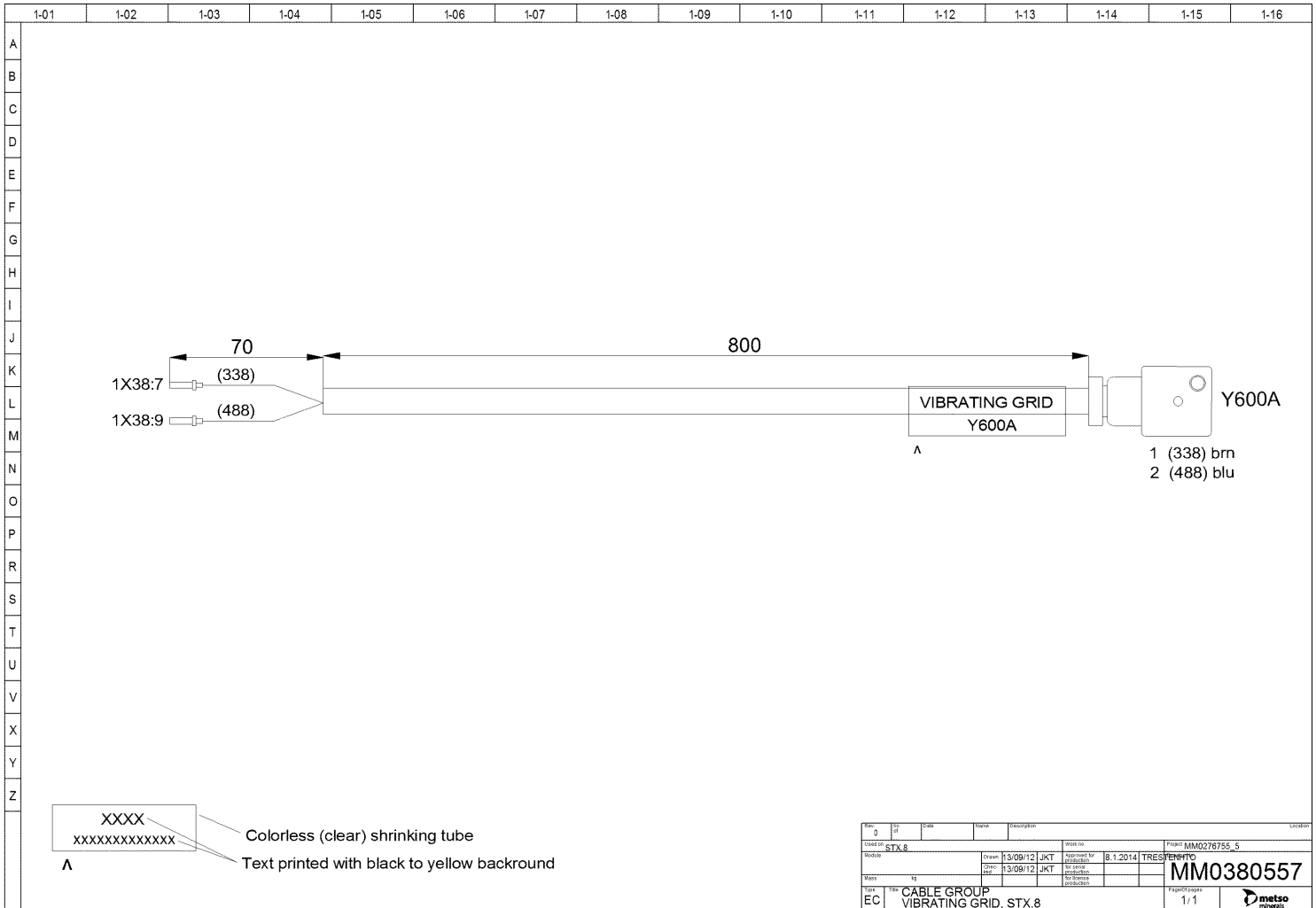
Pos.	Part No.	Description	Qty	Net Wght
1	MM0408275	PUMP, HYDRAULIC	1	8.6
2	MM0559427	BLOCK	1	8
3	MM0362603	VALVE, DIRECTIONAL	1	3.3
4	MM0362561	COIL	2	1.63
5	MM0594807	HYDRAULIC HOSE	1	2
6	MM1039741	HYDRAULIC HOSE	1	1.71
7	MM0551772	HYDRAULIC HOSE	1	2.5
8	706300790066	CONNECTOR	4	0.16
9	706300790022	ELBOW	1	0.42
10	706300793042	CONNECTOR	1	0.134
11	706300792339	CONNECTOR	1	0.3
12	706300793655	ELBOW	1	0.335
13	706203392200	ADAPTER, MEASURE	1	0.1
14	704103510000	SCREW, CAP, HEXAGON SOCKET HEAD	2	0.030
15	804006920000	WASHER, PLAIN	2	0.010
16	804103474100	SCREW, CAP, HEXAGON SOCKET HEAD	4	0.05
17	704203927080	NUT, HEXAGONAL, TORQUE	4	0.011
18	704006880000	WASHER, PLAIN	4	0.010
19	MM0255689	SCREW, CAP, HEXAGON SOCKET HEAD	4	0.01
20	MM0227136	HYDRAULIC HOSE	1	0.8
21	MM0570603	HYDRAULIC HOSE	1	1.24
22	706300790000	ELBOW	1	0.2





Lokotrack ST3.8 s/n 77916  
MM0414517\_0 ELECTRIFICATION

Pos.	Part No.	Description	Qty	Page
1	MM0380557	CABLE GROUP	1	85

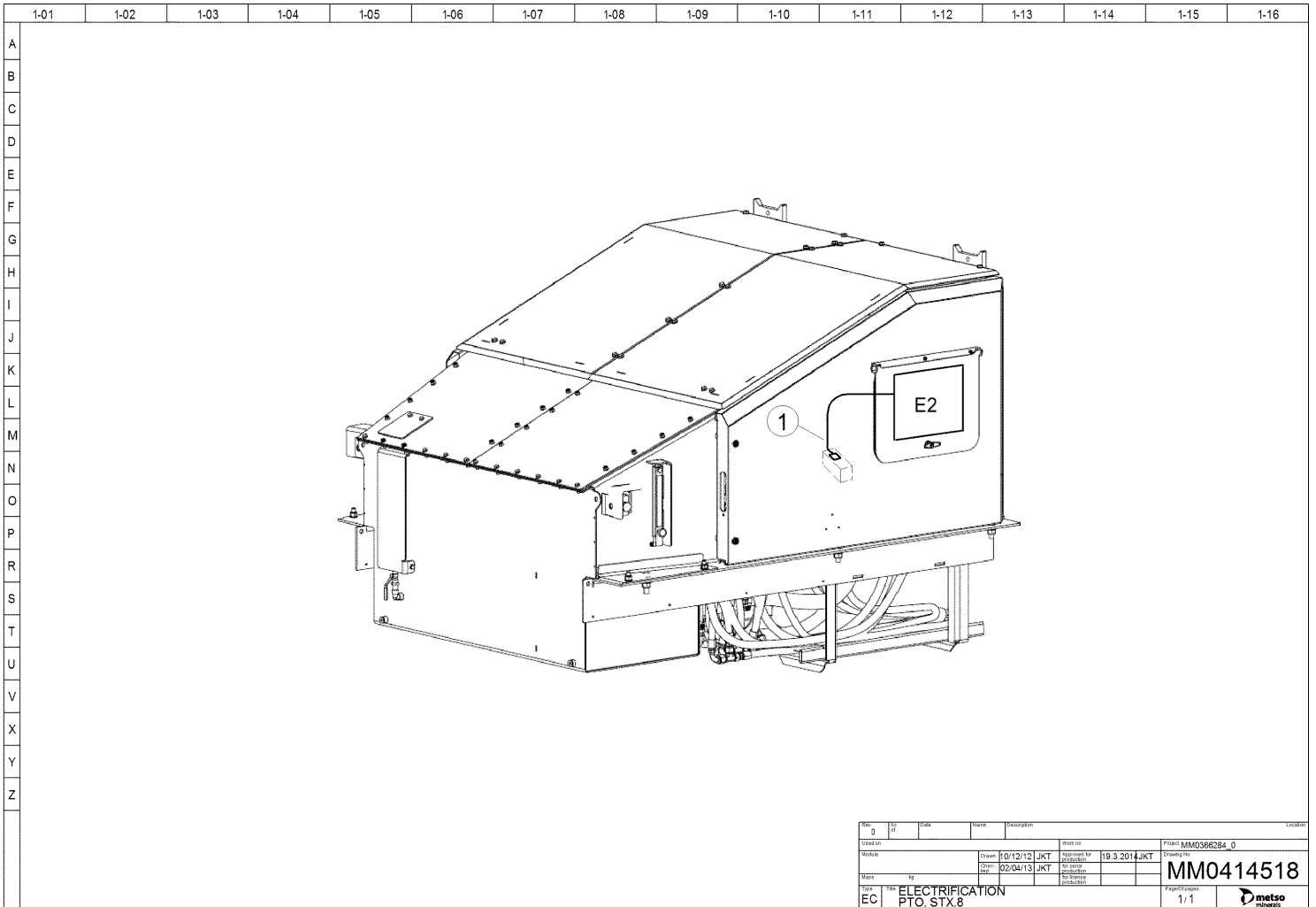




Lokotrack ST3.8 s/n 77916  
MM0380557\_0 CABLE GROUP

Pos.	Part No.	Description	Qty	Net Wght
1	707600400050	SOCKET CABLE	1	0.3
2	N05227952	CONNECTION	2	.05

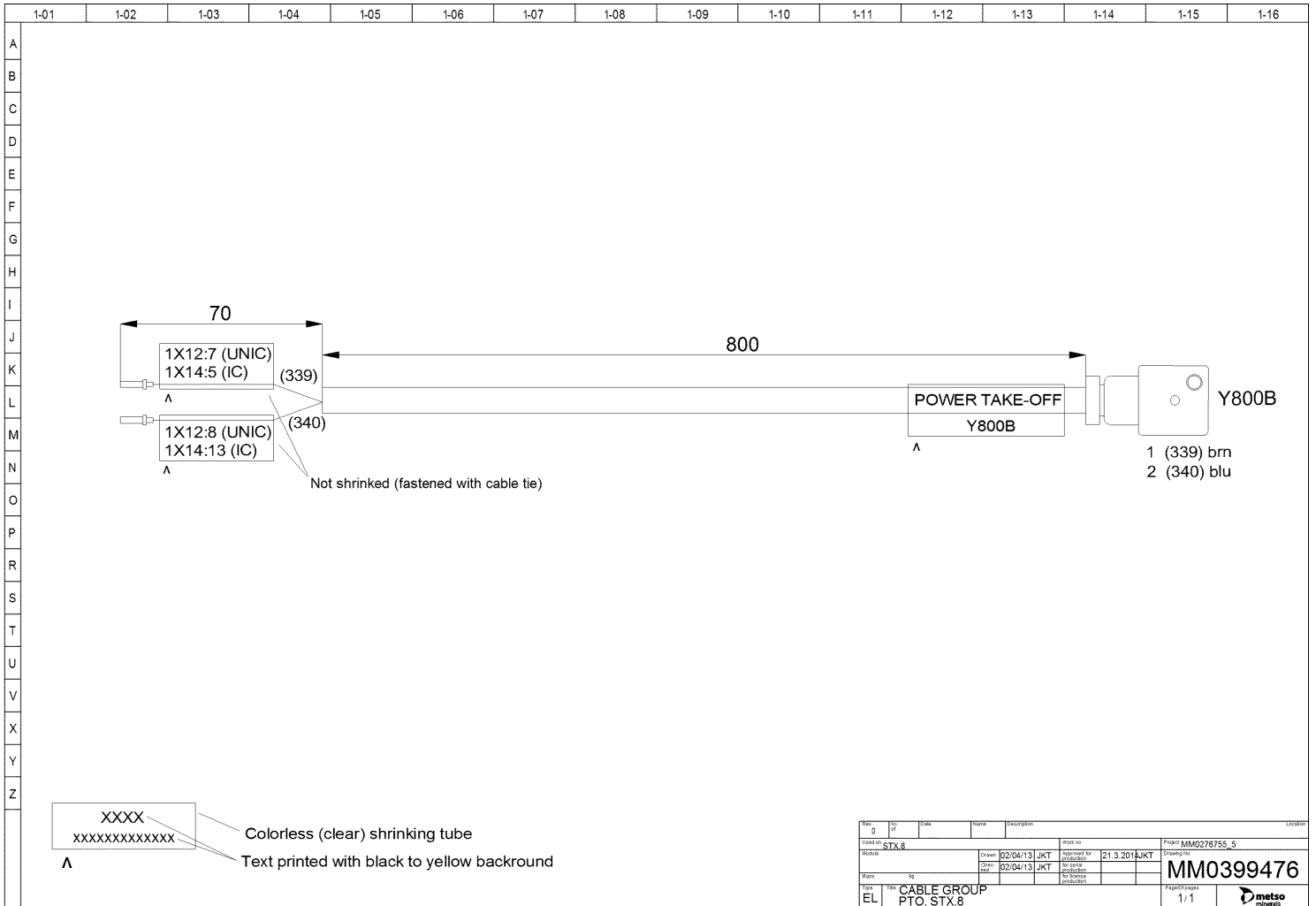






Lokotrack ST3.8 s/n 77916  
MM0414518\_0 ELECTRIFICATION

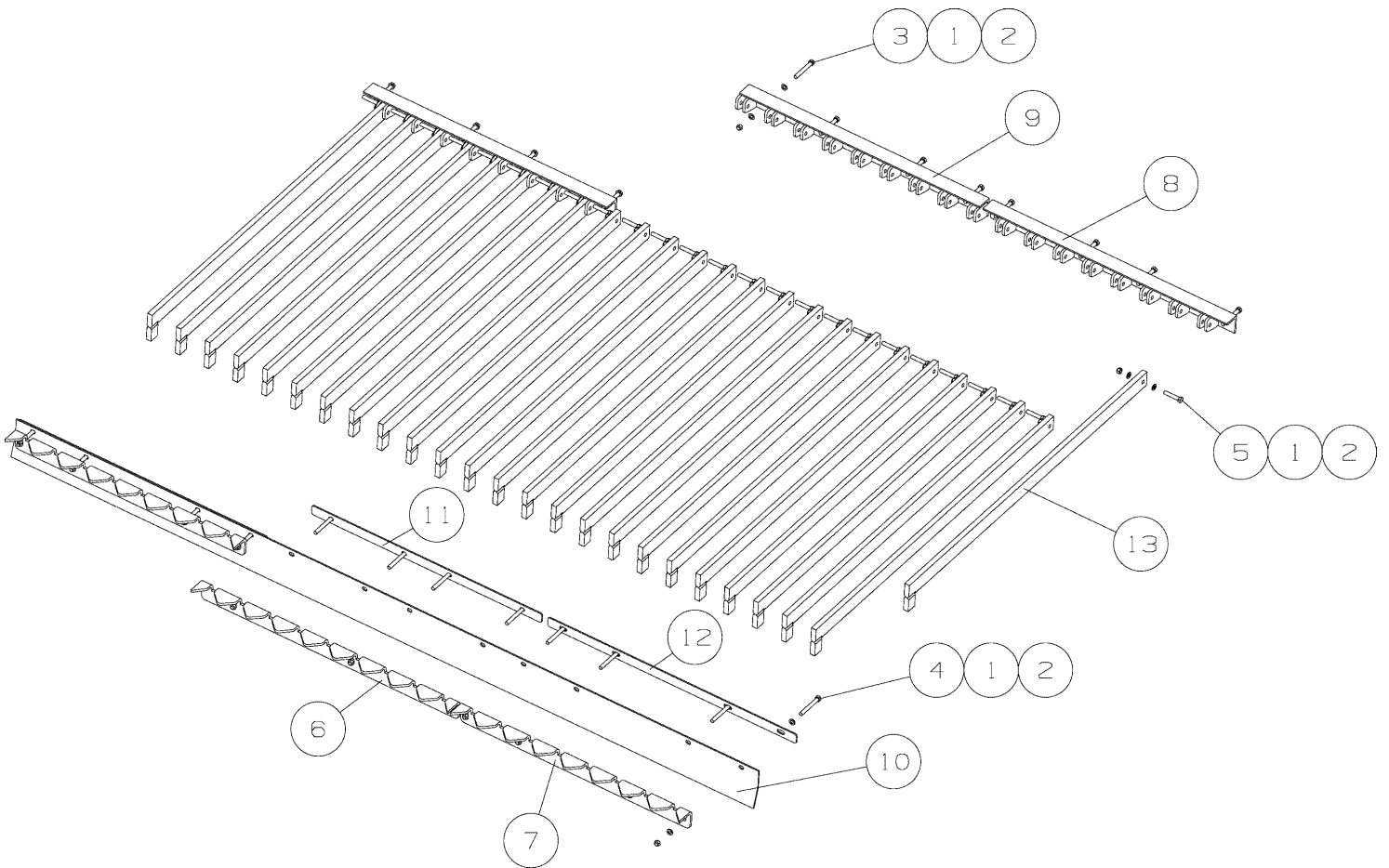
Pos.	Part No.	Description	Qty	Page
1	MM0399476	CABLE GROUP	1	87



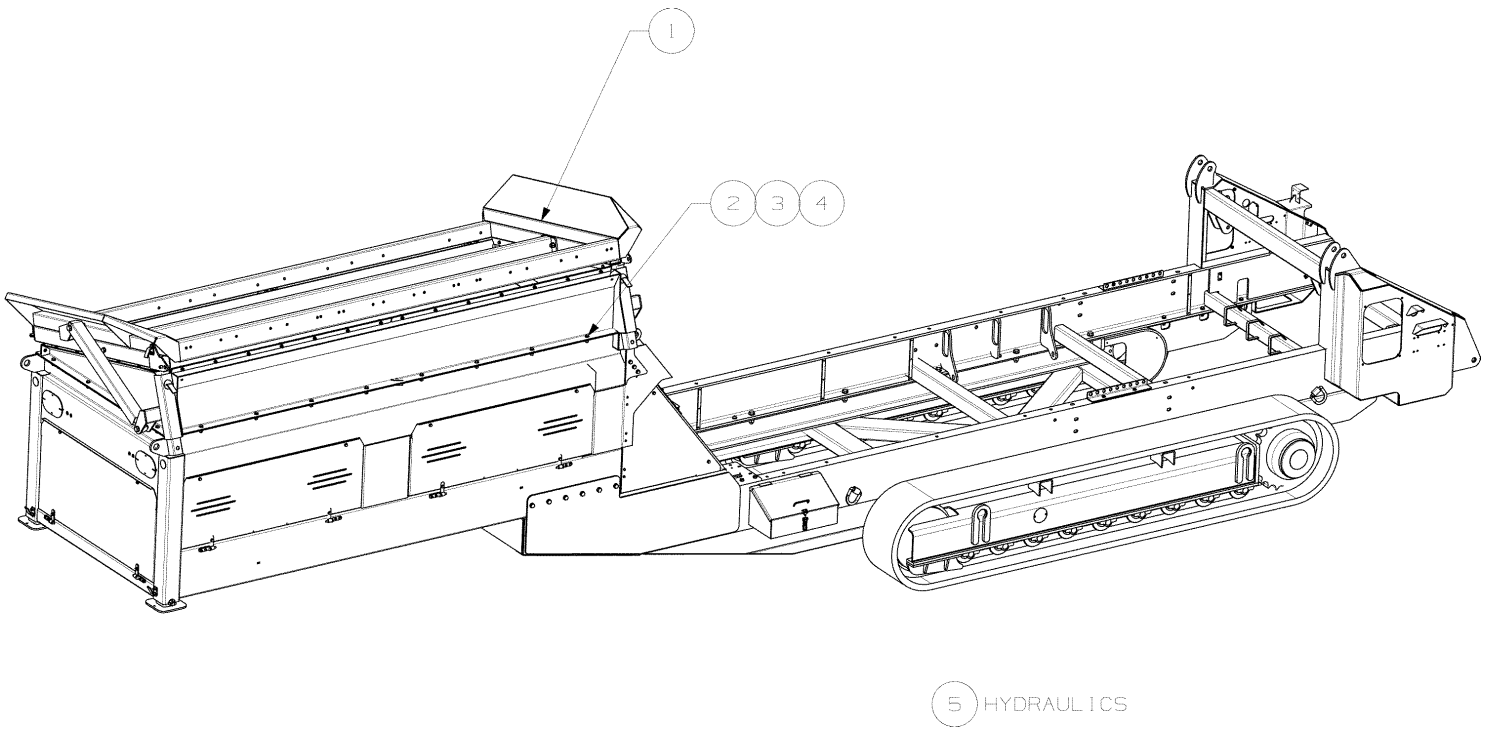


Lokotrack ST3.8 s/n 77916  
MM0399476\_0 CABLE GROUP

Pos.	Part No.	Description	Qty	Net Wght
1X14	N05227952	CONNECTION	2	.05
Y800	707600400050	SOCKET CABLE	1	0.3



Pos.	Part No.	Description	Qty	Net Wght
1	N01626516	WASHER, PLAIN	98	0.012
2	N01570216	NUT, HEXAGONAL, THIN	49	0.02
3	N01532330	BOLT, HEXAGONAL	12	0.214
4	N01530333	BOLT, HEXAGONAL	12	0.230
5	N01530324	BOLT, HEXAGONAL	25	0.150
6	M09621	GUIDE PLATE	1	18.70
7	M09620	GUIDE PLATE	2	16.27
8	M09613	GRIZZLY FRAME ASSEMBLY	2	24.75
9	M09612	GRIZZLY FRAME ASSEMBLY	1	25.45
10	M09390	RUBBER SKIRT	1	37.0
11	M09385	CLAMP	1	2.83
12	M09384	CLAMP	2	3.06
13	M09201	BAR WELDING	25	28.1

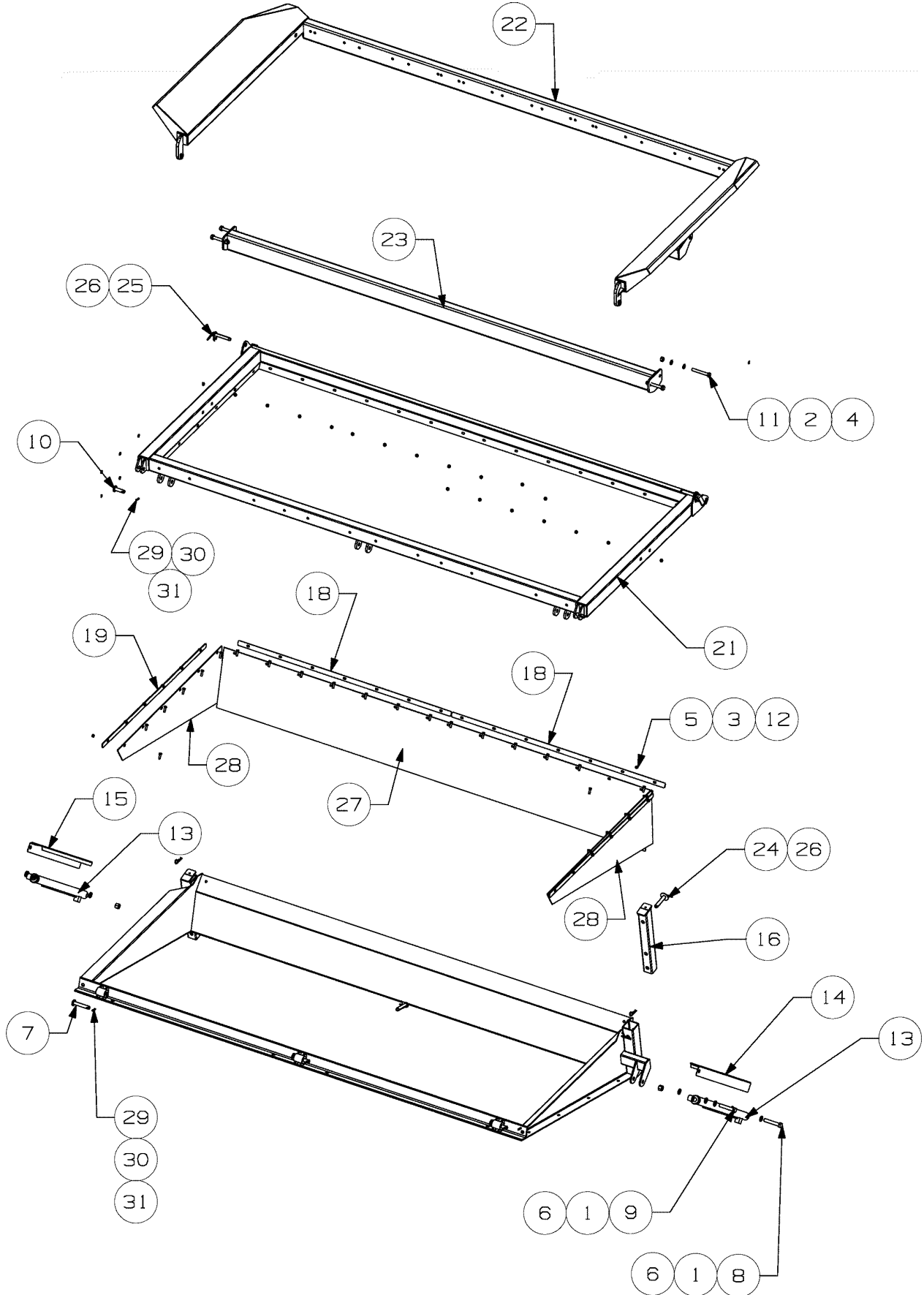




Lokotrack ST3.8 s/n 77916  
MM0578561\_2 GRID MODULE INSTALLATION

Pos.	Part No.	Description	Qty	Net Wght	Page
1	MM0578866	GRID MODULE	1	978	90
2	N01532311	BOLT, HEXAGONAL	16	0.1	
3	N01570216	NUT, HEXAGONAL, THIN	16	0.02	
4	N01626516	WASHER, PLAIN	32	0.012	
5	MM0589013	PIPING, HYDRAULIC	1	10	92

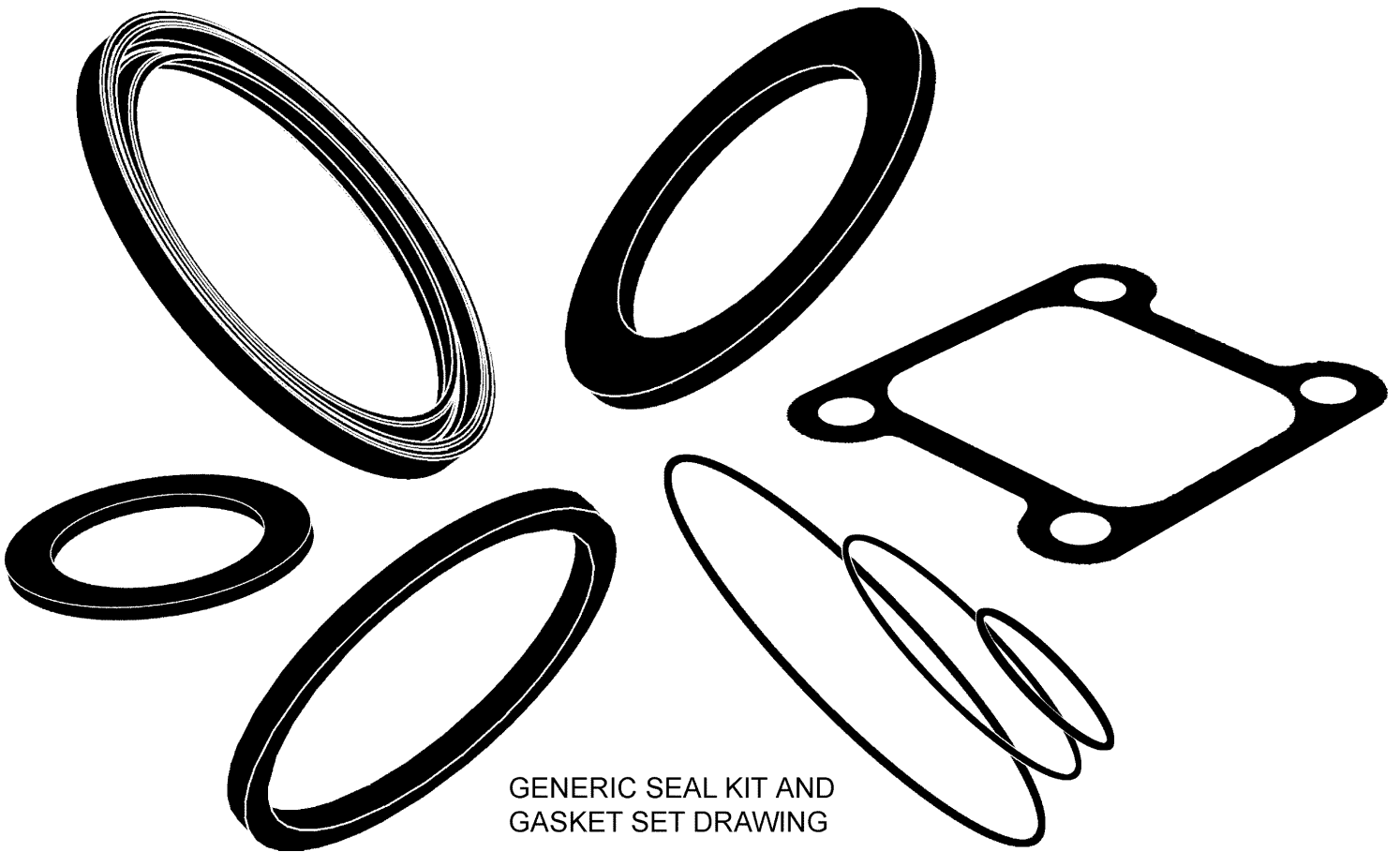






Lokotrack ST3.8 s/n 77916  
MM0578866\_0 GRID MODULE

Pos.	Part No.	Description	Qty	Net Wght	Page
1	704007190000	WASHER, PLAIN	15	0.030	
2	N01626520	WASHER, PLAIN	8	0.017	
3	704006970000	WASHER, PLAIN	52	0.005	
4	N01570220	NUT, JAM, HEXAGONAL	4	0.06	
5	7001570012	NUT, HEXAGONAL, TORQUE	26	0.010	
6	704203927240	NUT, HEXAGONAL, TORQUE	4	0.100	
7	M04848-168	PIN	3	.55	
8	N01530533	BOLT, HEXAGONAL	2	0.600	
9	N01530532	BOLT, HEXAGONAL	2	0.560	
10	M04848-162	PIN	2	.35	
11	N01530442	BOLT, HEXAGONAL	4	0.420	
12	N01530199	BOLT, HEXAGONAL	26	0.05	
13	MM0237493	CYLINDER, HYDRAULIC	2	8	91
14	M09543	COVER PLATE	1	4.81	
15	M09542	COVER PLATE	1	4.81	
16	M09405	SUPPORT	2	9.8	
18	M09403	PLATE	2	3.64	
19	M09402	CLAMP	1	2.96	
20	M09391	HOPPER WELDING	1	259.5	
21	M09198	SUPPORT	1	226.80	
22	M09189	SUPPORT FRAME	1	283.0	
23	M09166	CROSS BEAM	1	140.3	
24	M04849-47	PIN	2	1.361	
25	M02815-1	PIN	2	0.5	
26	706303524110	PIN, SPRING	4	0.035	
27	MM0331970	RUBBER SKIRT	1	10.03	
28	MM0331976	RUBBER SKIRT	2	2.51	
29	704103390700	SCREW, CAP, HEXAGON SOCKET HEAD	5	0.010	
30	704006860000	WASHER, PLAIN	10	0.002	
31	704203927060	NUT, HEXAGONAL, TORQUE	5	0.010	

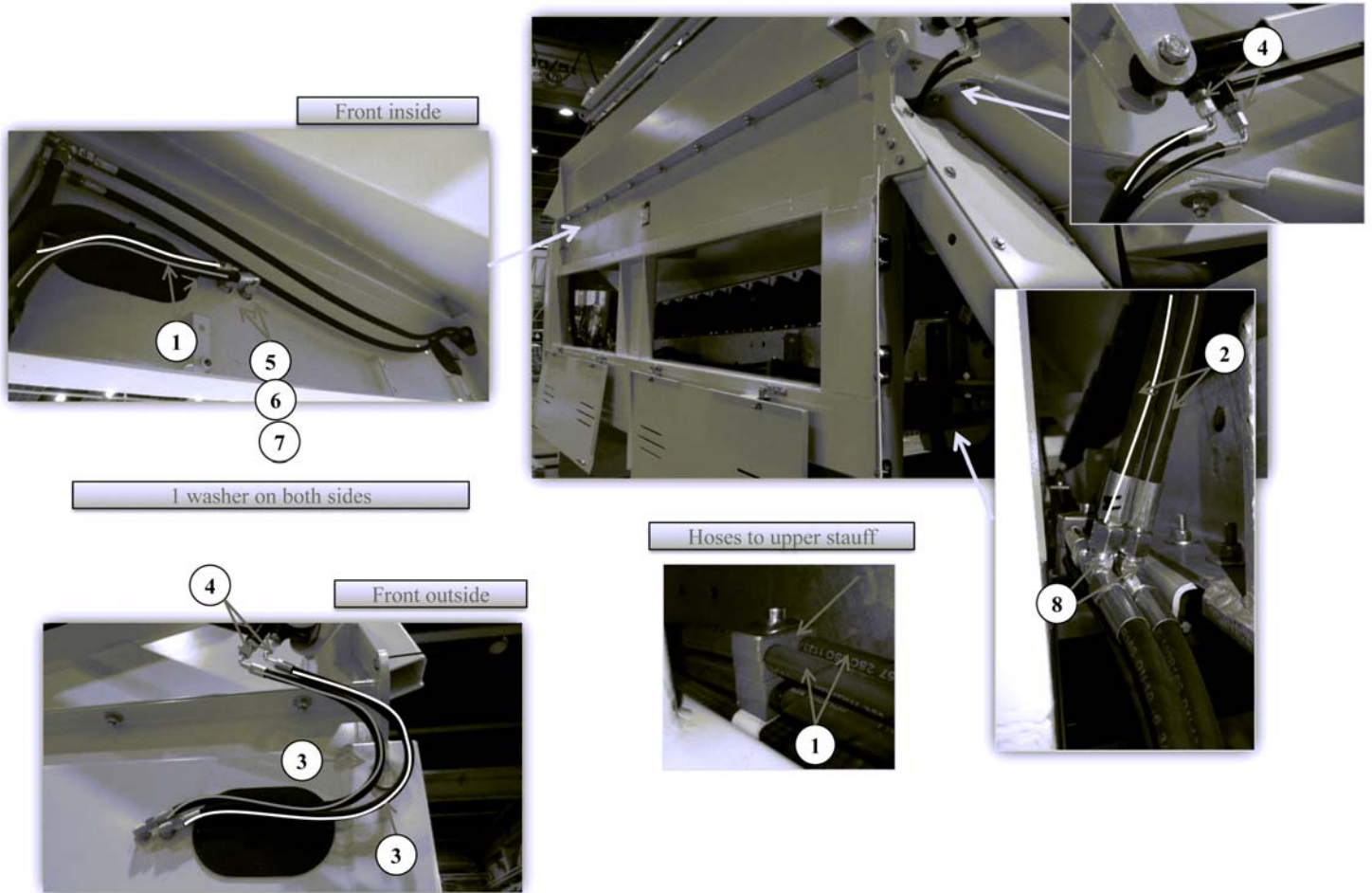


GENERIC SEAL KIT AND  
GASKET SET DRAWING



Lokotrack ST3.8 s/n 77916  
MM0237493\_0 CYLINDER, HYDRAULIC

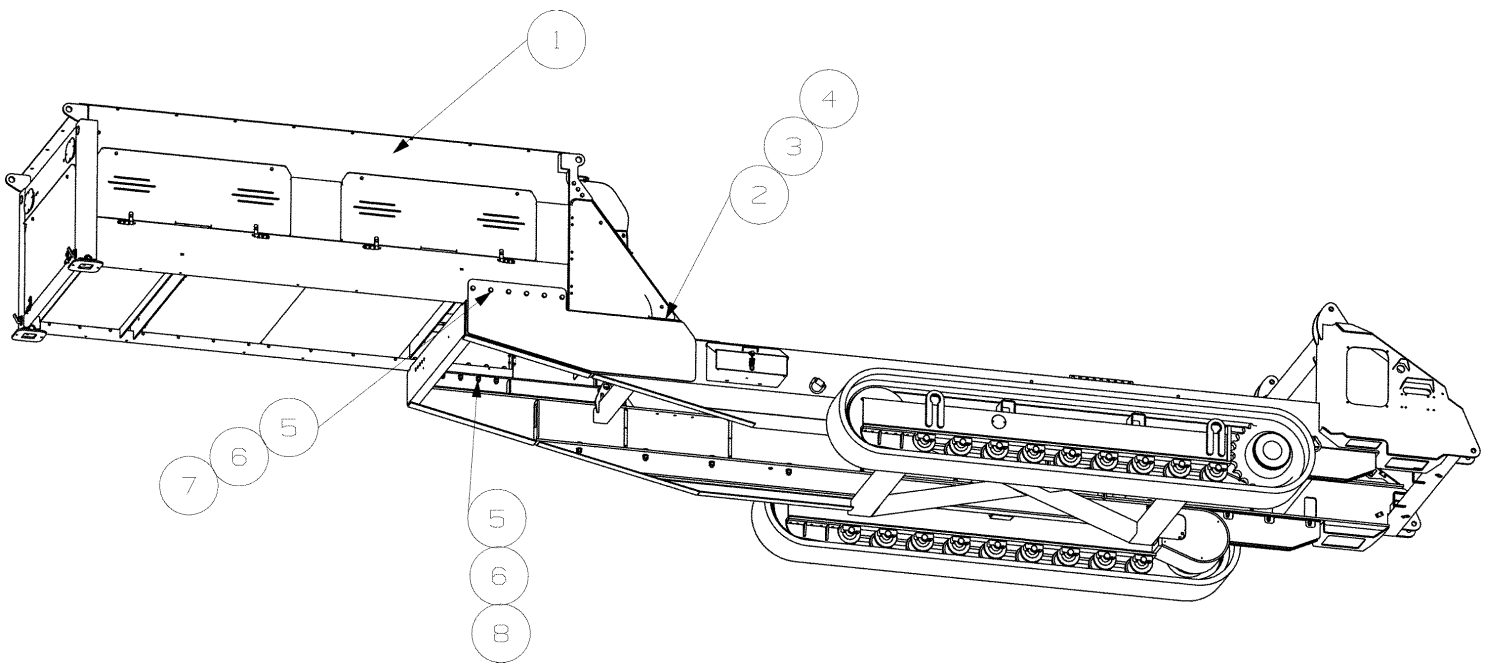
Pos.	Part No.	Description	Qty	Net Wght
0	N02471022	SEAL KIT	1	0.1





Lokotrack ST3.8 s/n 77916  
MM0589013\_0 PIPING, HYDRAULIC

Pos.	Part No.	Description	Qty	Net Wght
1	MM0256064	HYDRAULIC HOSE	2	2.03
2	MM0543715	HYDRAULIC HOSE	2	.66
3	MM0587599	HYDRAULIC HOSE	2	.54
4	706300790060	CONNECTOR	4	0.1
5	706300790560	ELBOW	2	0.145
6	706300789000	ELBOW	2	0.1
7	704007130000	WASHER, PLAIN	4	0.020
8	706300790540	TEE	2	0.25

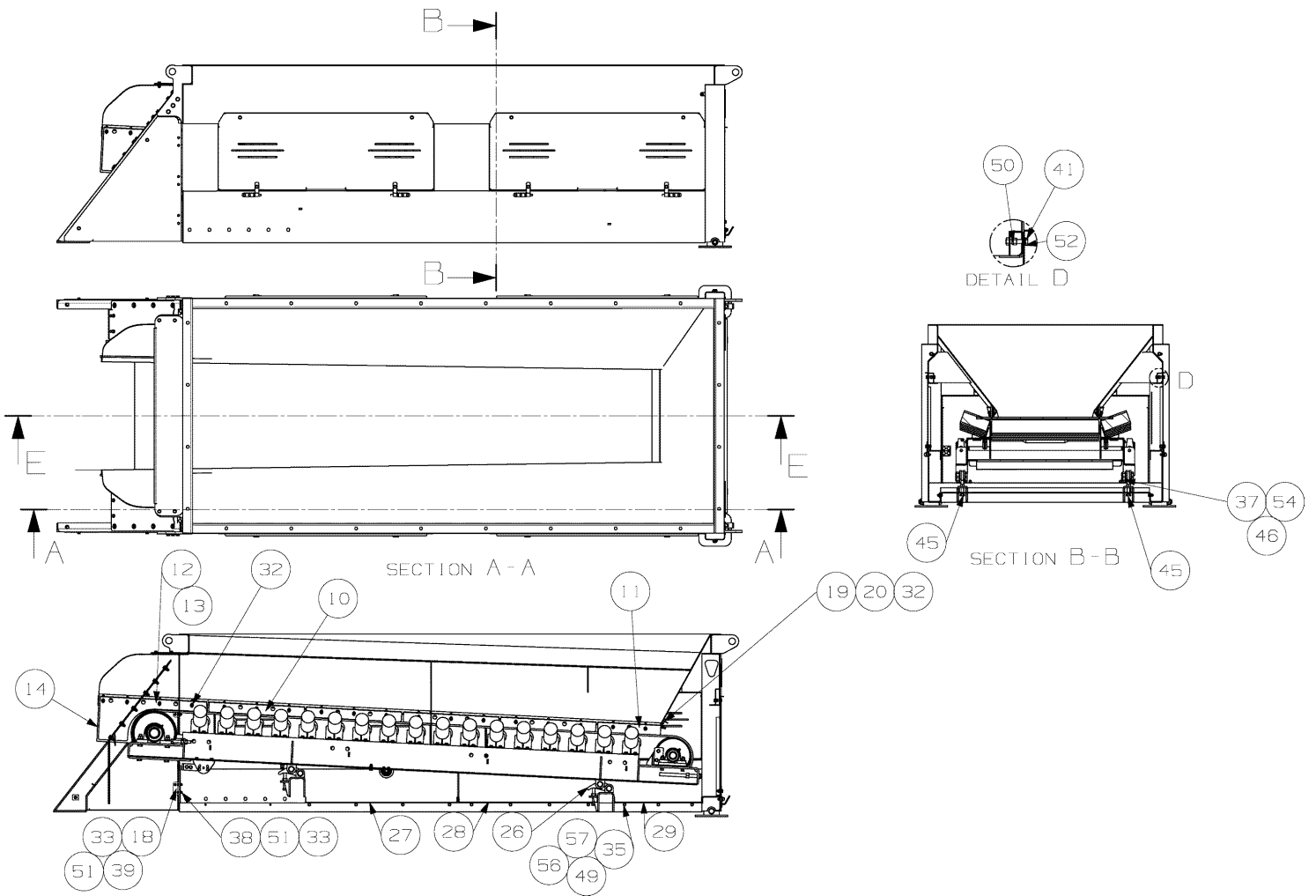


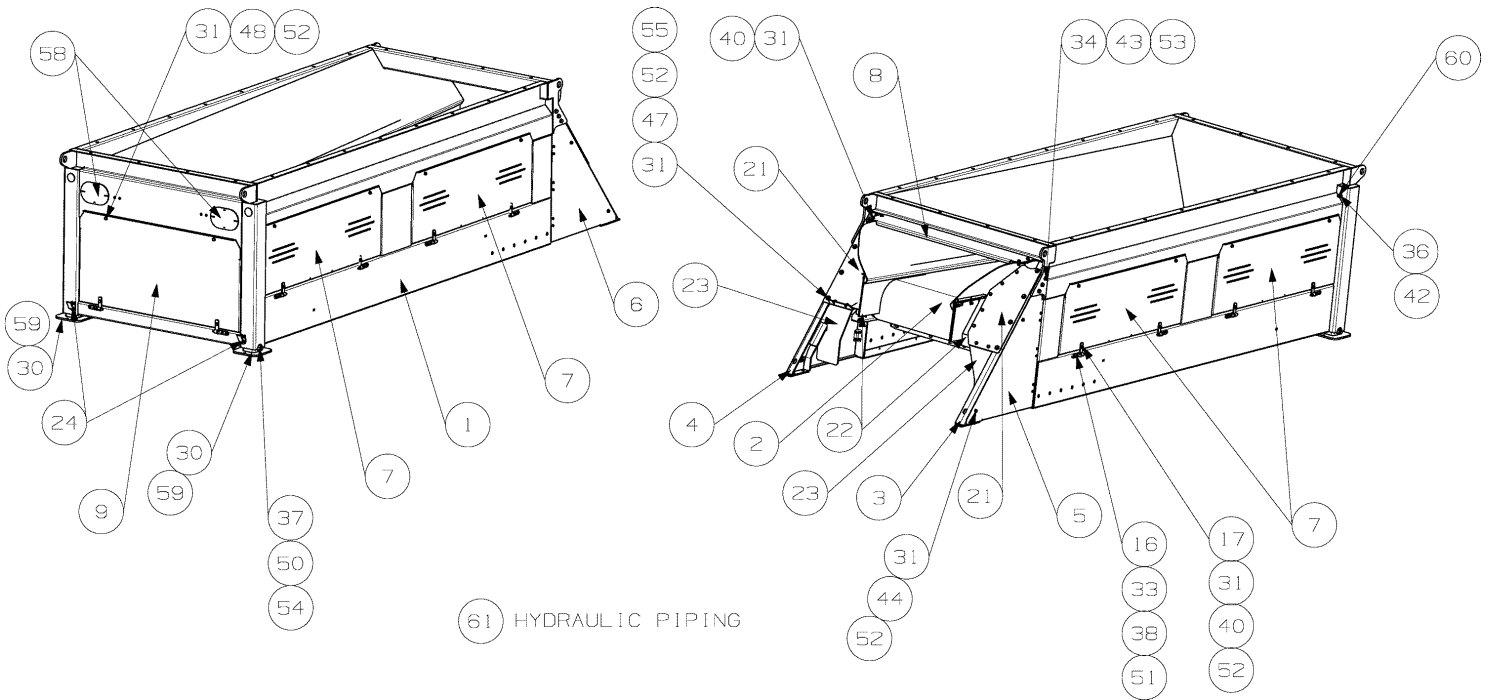


Lokotrack ST3.8 s/n 77916  
MM0577417\_2 FEEDER UNIT INSTALLATION

Pos.	Part No.	Description	Qty	Net Wght	Page
1	MM0569718	FEED HOPPER	1	2640	94
2	N01530313	BOLT, HEXAGONAL	4	.102	
4	N01626516	WASHER, PLAIN	8	0.012	
5	7001570020	NUT, HEXAGONAL, TORQUE	22	0.100	
6	N01626520	WASHER, PLAIN	44	0.017	
7	N01530001	BOLT, HEXAGONAL	12	.19	
8	N01530427	BOLT, HEXAGONAL	10	0.231	



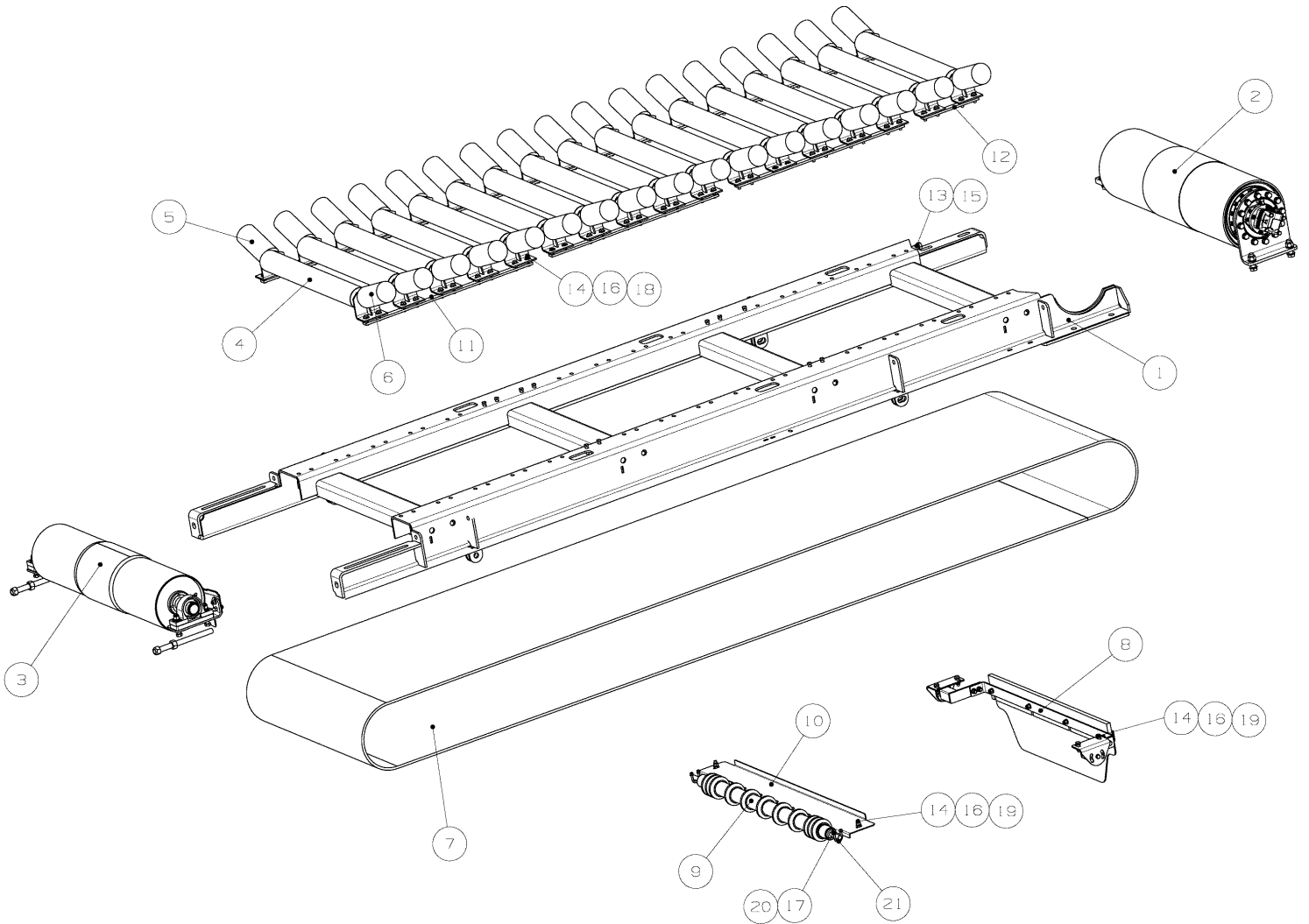




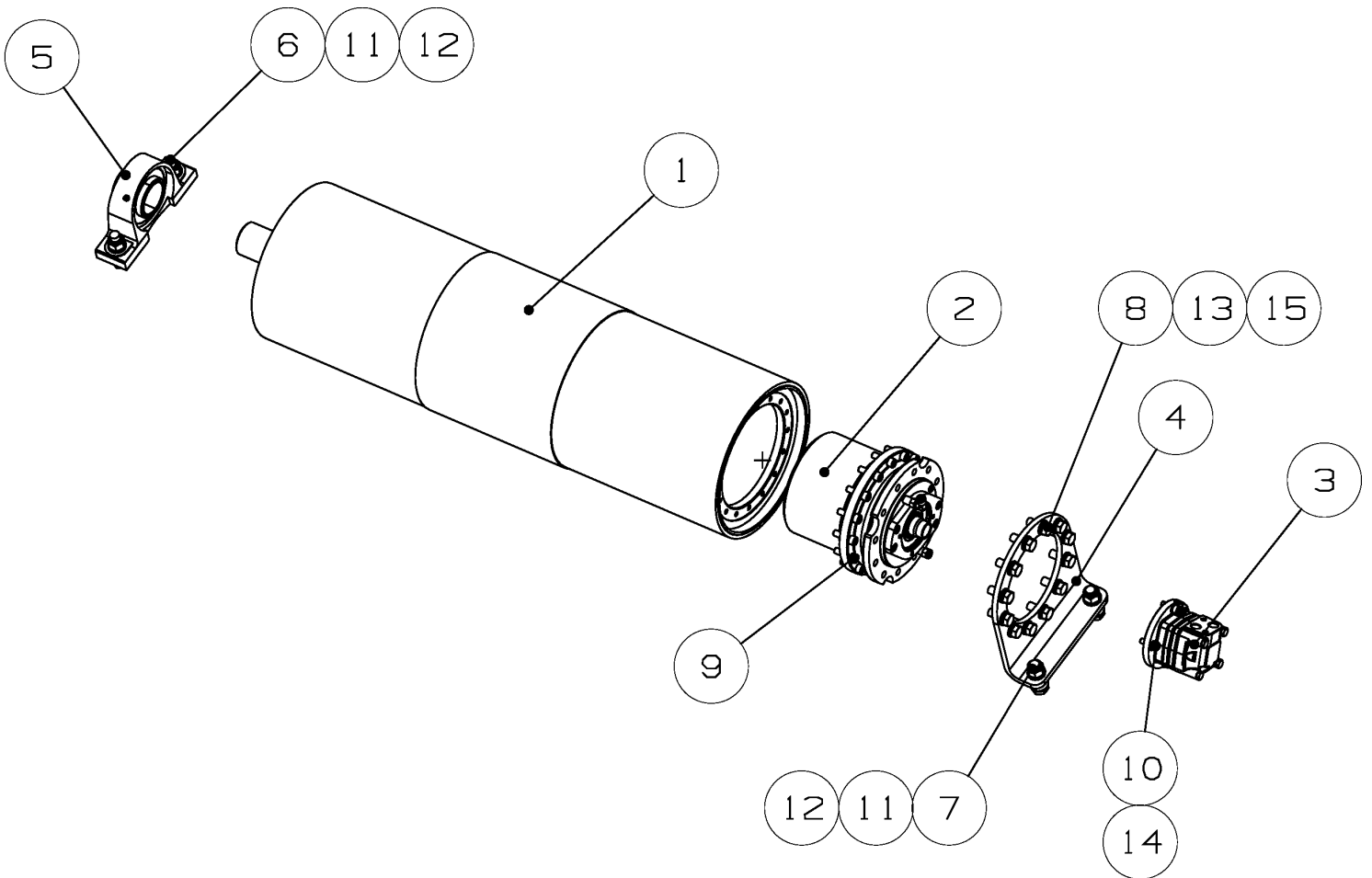


Lokotrack ST3.8 s/n 77916  
MM0569718\_3 FEED HOPPER

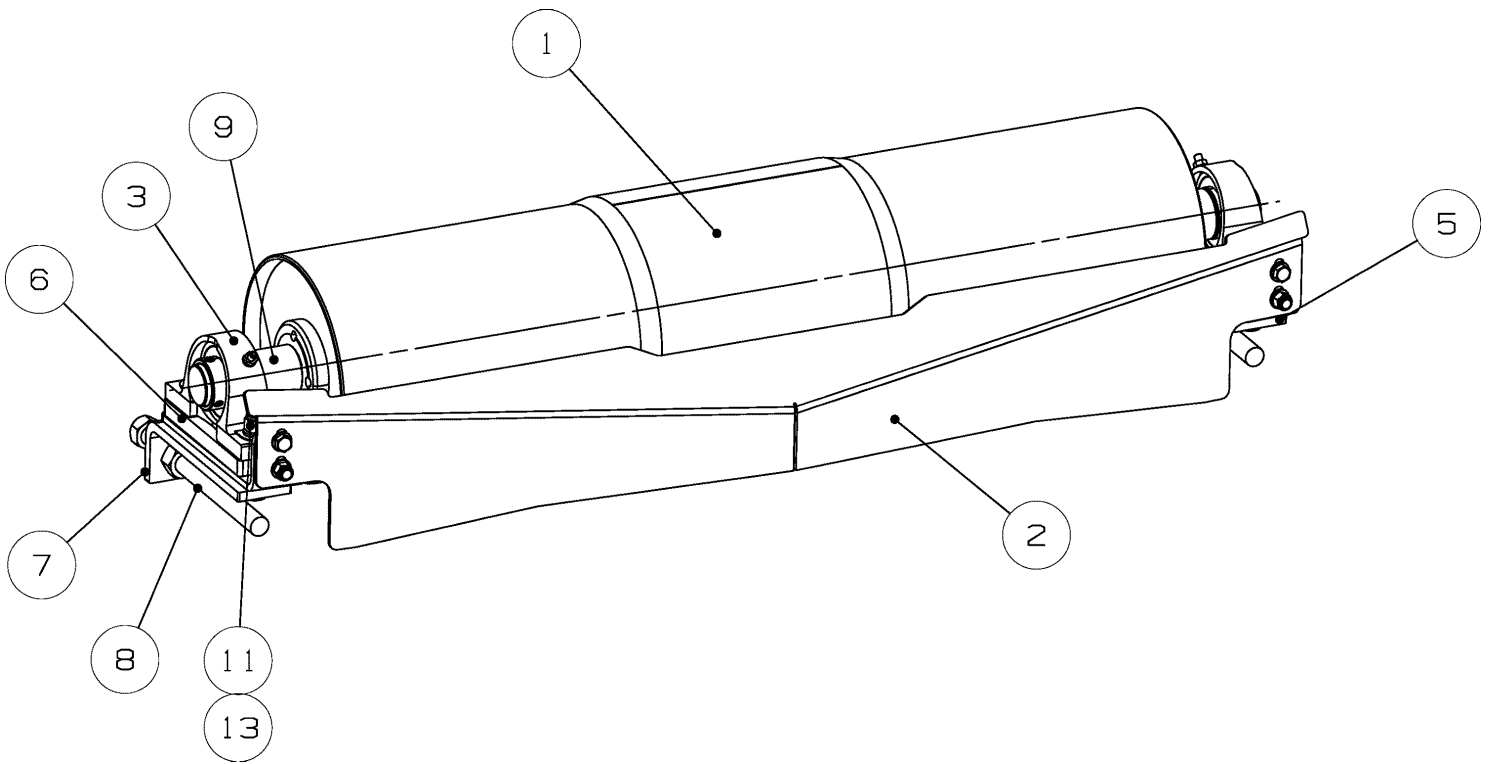
Pos.	Part No.	Description	Qty	Net Wght	Page
1	MM0570654	FRAME WELDING	1	1103	
2	MM0570509	BELT CONVEYOR	1	1069.1	95
3	MM0574224	SUPPORT	1	28.71	
4	MM0571609	SUPPORT	1	28.72	
5	MM0574388	FRONT COVER	1	12.9	
6	MM0576117	FRONT COVER	1	12.8	
7	MM0286901	PLATE	4	24	
8	MM0574748	COVER PLATE	1	14.48	
9	MM0576173	HATCH	1	31.11	
10	MM0591462	PLATE	8	1.7	
11	MM0591440	PLATE	2	1.13	
12	MM0591874	PLATE	1	3.4	
13	MM0591905	PLATE	1	3.44	
14	MM0591955	SIDE RUBBER	2	4.45	
16	N01658100	HINGE	10	0.18	
17	M08669	HINGE	10	.18	
18	MM0331984	HINGE	6	.2	
19	MM0576296	PLATE, RUBBER	1	1.18	
20	MM0576297	PLATE	1	2.15	
21	MM0576330	PLATE	2	5.92	
22	MM0576354	PLATE, RUBBER	2	.33	
23	MM0576349	PLATE, RUBBER	2	.53	
24	M02815-2	PIN	2	0.65	
26	MM0575816	PLATE	4	.96	
27	MM0576594	NET	1	19.48	
28	MM0576592	NET	1	17.9	
29	MM0576583	NET	1	11.77	
30	MM0576659	SUPPORT LEG	2	33.16	
31	704203927120	NUT, HEXAGONAL, TORQUE	50	0.010	
32	MM0317489	NUT, HEXAGONAL, FLANGED	40	0.022	
33	704203927080	NUT, HEXAGONAL, TORQUE	45	0.011	
34	704203927160	NUT, HEXAGONAL, TORQUE	6	0.035	
35	704203927100	NUT, HEXAGONAL, TORQUE	22	0.010	
36	704203927060	NUT, HEXAGONAL, TORQUE	2	0.010	
37	704203927240	NUT, HEXAGONAL, TORQUE	10	0.100	
38	N01530106	SCREW, HEXAGONAL	24	0.020	
39	N01530104	SCREW, HEXAGONAL	20	0.010	
40	7001530196	SCREW, HEXAGONAL	14	0.044	
41	7001530208	SCREW, HEXAGONAL	8	0.060	
42	7001530063	SCREW, HEXAGONAL	2	0.010	
43	704201431000	SCREW, HEXAGONAL	6	0.110	
44	N01530205	BOLT, HEXAGONAL	4	0.063	
45	7001530432	SCREW, HEXAGONAL	4	0.400	
46	N01530522	BOLT, HEXAGONAL	8	0.365	
47	7001530198	SCREW, HEXAGONAL	22	0.046	
48	N01530204	SCREW, HEXAGONAL	2	0.050	
49	N01530138	SCREW, HEXAGONAL	22	0.030	
50	N01530550	BOLT, HEXAGONAL	2	0.700	
51	704006880000	WASHER, PLAIN	90	0.010	
52	704006970000	WASHER, PLAIN	56	0.005	
53	N01626516	WASHER, PLAIN	12	0.012	
54	704007190000	WASHER, PLAIN	20	0.030	
55	N01621201	WASHER	30	0.0325	
56	N01621200	WASHER, HARDENED, CIRCULAR	11	.015	
57	804006920000	WASHER, PLAIN	22	0.010	
58	908962	COVERING PLATE	2	0.2	
59	MM0237494	CYLINDER, HYDRAULIC	2	20	99
60	M04848-52	PIN	2	0.9	
61	MM0588968	PIPING, HYDRAULIC	1	10	100



Pos.	Part No.	Description	Qty	Net Wght	Page
1	MM0523614	FRAME	1	364.3	
2	MM0572971	DRIVE DEVICE	1	199	96
3	MM0537138	IDLER	1	109.03	97
4	MM0281938	ROLLER	17	8.44	
5	MM0252790	ROLLER, GUIDE	17	2.65	
6	MM0252800	ROLLER, GUIDE	17	2.52	
7	N03005022	CONVEYOR BELT, ENDLESS	1	116	
8	MM1010068	SCRAPER ASSEMBLY	1	28.27	98
9	MM0346592	ROLLER, RETURN	1	10.5	
10	M09145	GUARD	1	5.97	
11	MM0527103	PLATE	6	2.12	
12	MM0577053	PLATE	2	.69	
13	N01530438	SCREW, HEXAGONAL	1	0.361	
14	N01530199	BOLT, HEXAGONAL	74	0.05	
15	N01563020	NUT, HEXAGONAL	2	0.060	
16	7001570012	NUT, HEXAGONAL, TORQUE	6	0.010	
17	704203927080	NUT, HEXAGONAL, TORQUE	4	0.011	
18	N01633013	WASHER, LOCK	68	0.010	
19	704006970000	WASHER, PLAIN	12	0.005	
20	N01626508	WASHER, PLAIN	4	0.013	
21	N01841013	U-BOLT	2	0.05	



Pos.	Part No.	Description	Qty	Net Wght
1	MM0572972	DRIVE DRUM	1	108.22
2	N05638519	GEAR BOX	1	70
3	MM0267939	MOTOR, HYDRAULIC	1	7.8
4	MM0574677	LEG	1	5.44
5	MM0359705	BEARING HOUSING, PLUMMER BLOCK	1	5.9
6	N01530428	BOLT, HEXAGONAL	2	0.255
7	N01530427	BOLT, HEXAGONAL	2	0.231
8	N01530300	BOLT, HEXAGONAL	12	0.08
9	704103620000	SCREW, CAP, HEXAGON SOCKET HEAD	16	0.040
10	704103500000	SCREW, CAP, HEXAGON SOCKET HEAD	4	0.020
11	7001570020	NUT, HEXAGONAL, TORQUE	4	0.100
12	704007130000	WASHER, PLAIN	8	0.020
13	N01626516	WASHER, PLAIN	12	0.012
14	804006920000	WASHER, PLAIN	4	0.010
15	N01632408	WASHER, LOCK	12	0.09

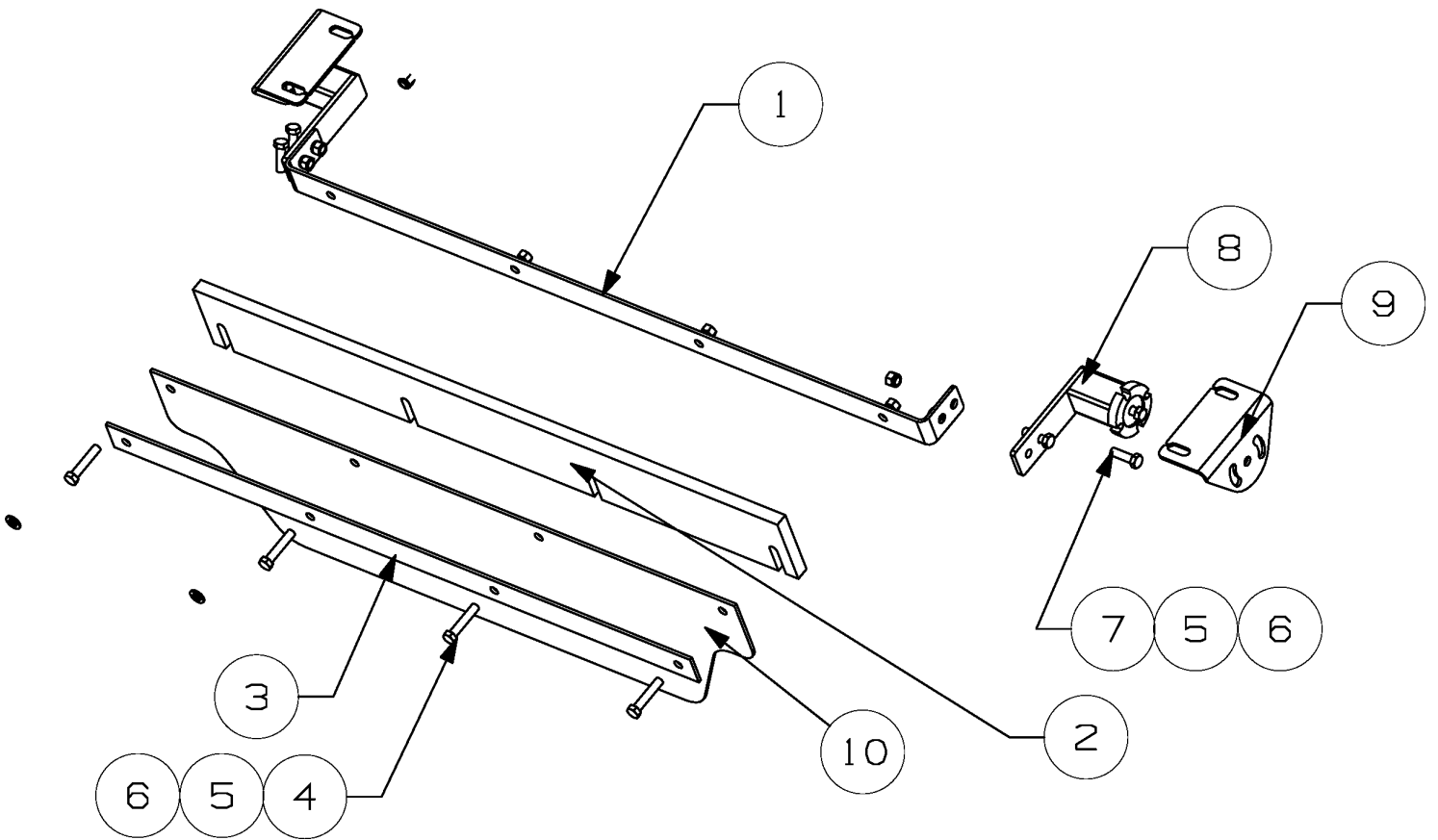






Lokotrack ST3.8 s/n 77916  
MM0537138\_1 IDLER

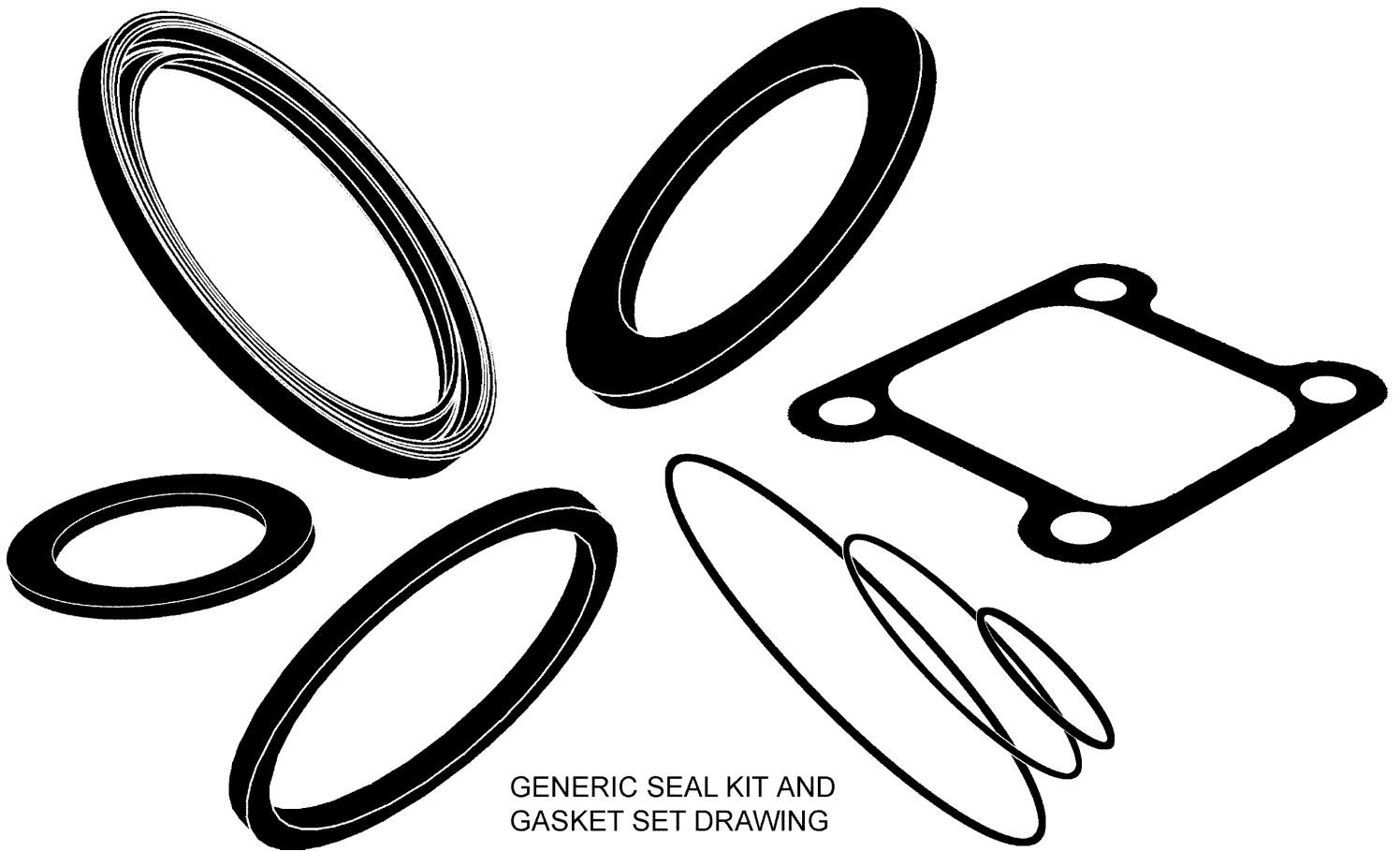
Pos.	Part No.	Description	Qty	Net Wght
1	MM0537524	IDLER DRUM	1	73.85
2	MM1005549	PLOUGH	1	12.38
3	MM0537124	BEARING KIT	2	2.9
6	MM1005707	PLATE	2	2
7	MM0537941	BELT TAKE-UP FRAME	2	2.45
8	M01870-1	SCREW, ADJUSTING	2	1.361
9	MM0538007	PIPE	2	.36
11	704203927160	NUT, HEXAGONAL, TORQUE	4	0.035
13	704007040000	WASHER, PLAIN	4	0.011





Lokotrack ST3.8 s/n 77916  
MM1010068\_0 SCRAPER ASSEMBLY

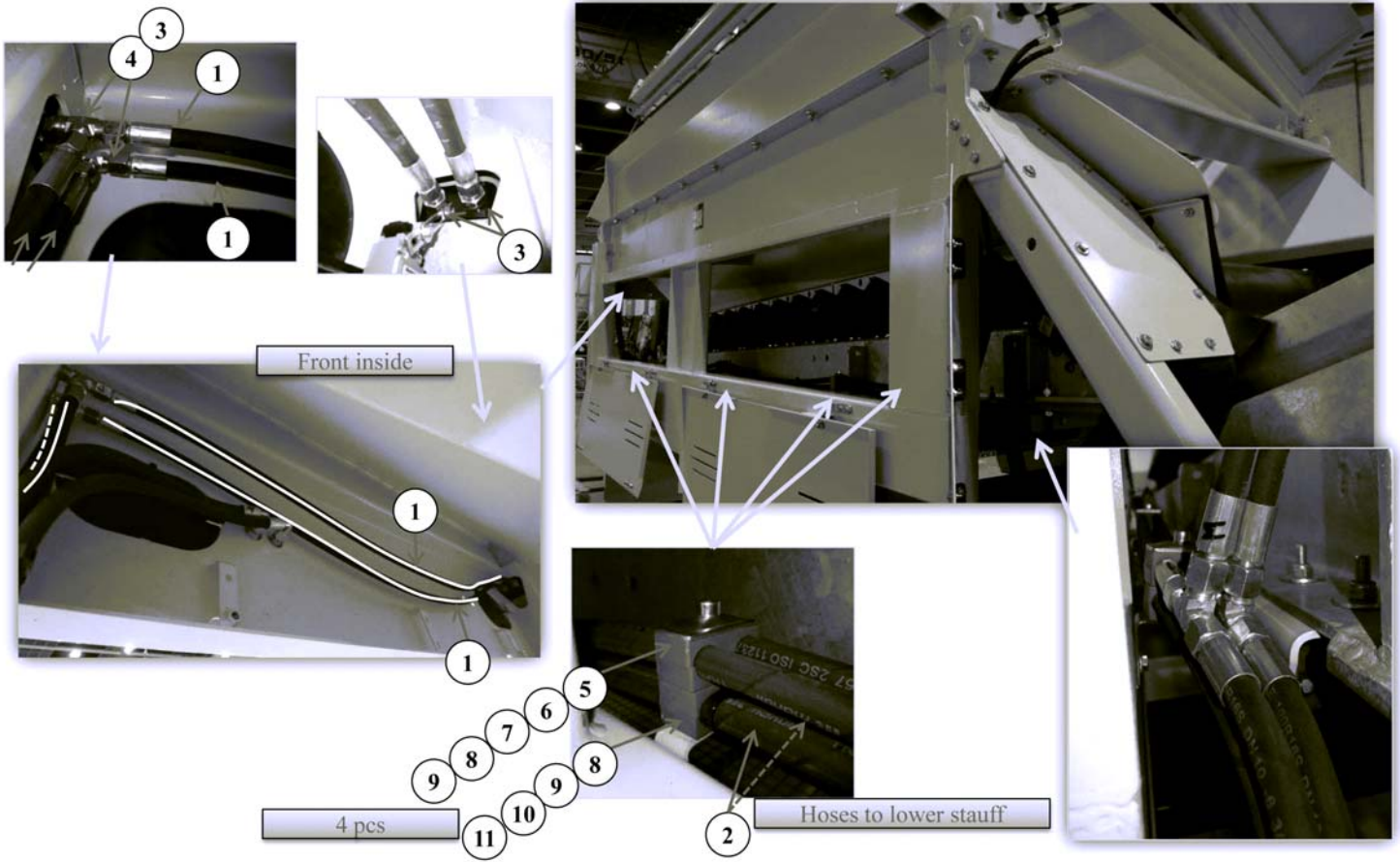
Pos.	Part No.	Description	Qty	Net Wght
1	MM0299792	SCRAPER PLATE	1	2.55
2	MM0591888	SCRAPER RUBBER	1	19.81
3	M09013	CLAMP	1	2.09
4	7001530208	SCREW, HEXAGONAL	4	0.060
5	704006970000	WASHER, PLAIN	16	0.005
6	704203927120	NUT, HEXAGONAL, TORQUE	8	0.010
7	7001530198	SCREW, HEXAGONAL	4	0.046
8	MM0299897	TENSIONER	2	2
9	MM0299796	SUPPORT PLATE	2	.87
10	M09150	RUBBER	1	1.13





Lokotrack ST3.8 s/n 77916  
MM0237494\_0 CYLINDER, HYDRAULIC

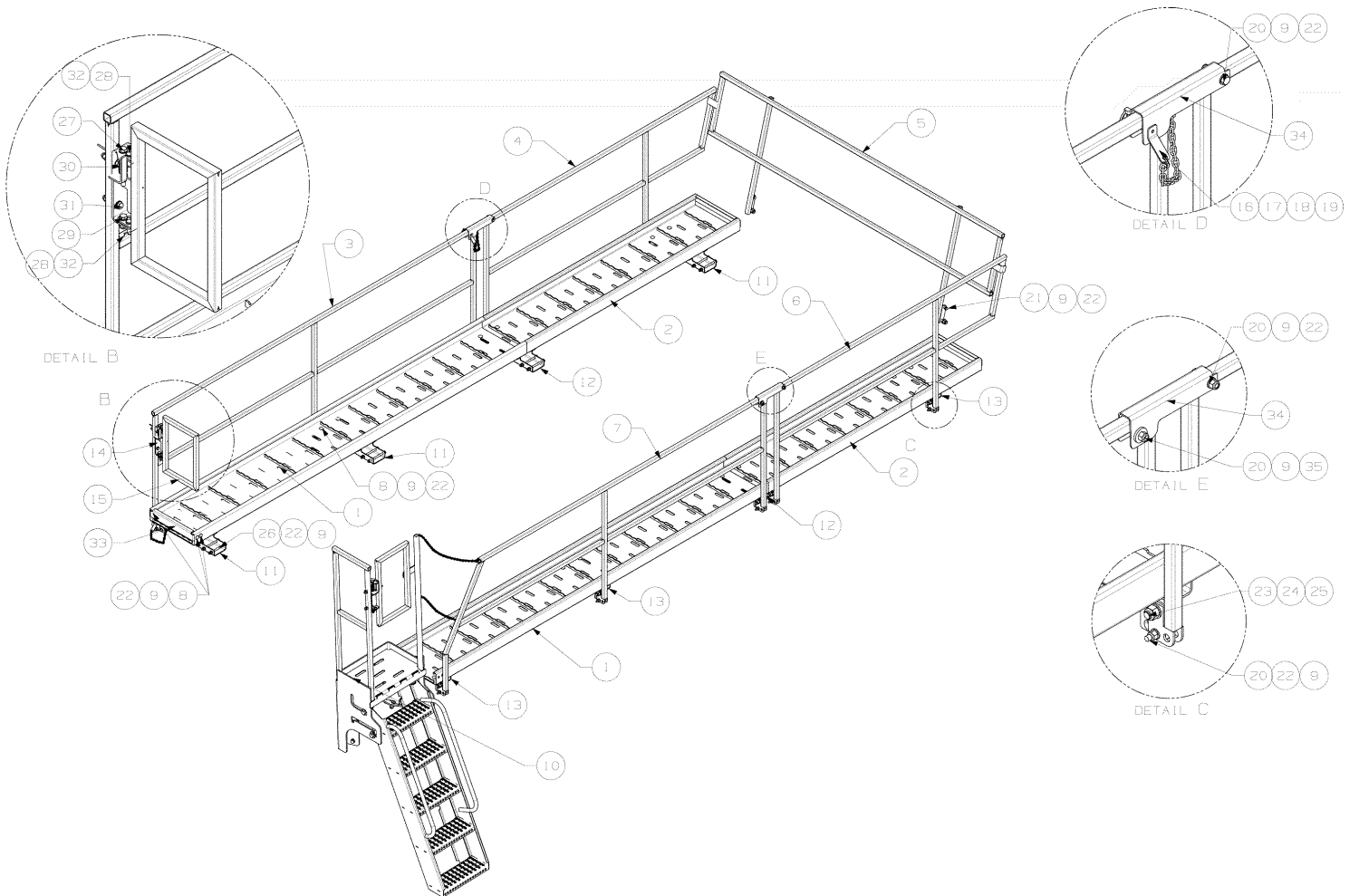
Pos.	Part No.	Description	Qty	Net Wght
0	MM0237895	SEAL KIT	1	0.01





Lokotrack ST3.8 s/n 77916  
MM0588968\_0 PIPING, HYDRAULIC

Pos.	Part No.	Description	Qty	Net Wght
1	N44450757	HYDRAULIC HOSE	2	0.9
2	MM0544153	HYDRAULIC HOSE	2	2.95
3	706300790060	CONNECTOR	4	0.1
4	706300790091	TEE	2	0.136
5	704103471000	SCREW, CAP, HEXAGON SOCKET HEAD	4	0.03
6	N02118912	BODY, CLAMP	8	0.02
7	N02118998	COVERING PLATE	4	0.04
8	704203927080	NUT, HEXAGONAL, TORQUE	8	0.011
9	704006880000	WASHER, PLAIN	8	0.010
10	MM0586265	BRACKET	4	.05
11	704103440000	SCREW, CAP, HEXAGON SOCKET HEAD	4	0.020

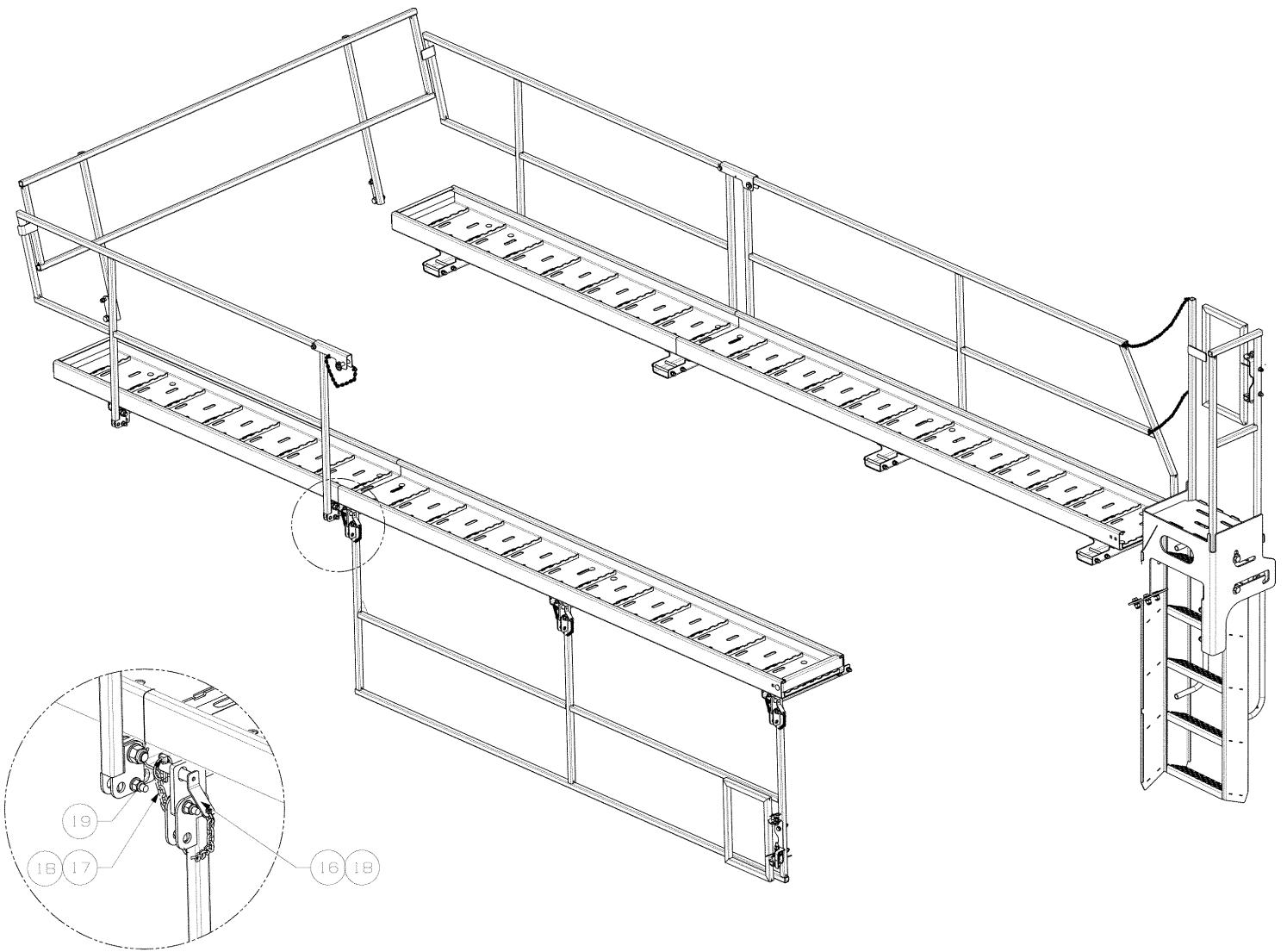






Lokotrack ST3.8 s/n 77916  
MM0567570\_2\_1 PLATFORM, ASSEMBLY

Pos.	Part No.	Description	Qty	Net Wght	Page
1	MM0567572	PLATFORM	2	57.24	
2	MM0574596	PLATFORM	2	37.68	
3	MM0573495	HANDRAIL	1	26.41	
4	MM0567731	HANDRAIL	1	20.32	
5	MM0567748	HANDRAIL	1	21	
6	MM0574296	HANDRAIL	1	20	
7	MM0574345	HANDRAIL	1	24.38	
8	MM0353675	BOLT, MUSHROOM HEAD SQUARE NECK	1	.06	
9	704006970000	WASHER, PLAIN	103	0.005	
10	MM0572864	PLATFORM	1	105.23	102
11	MM0574226	SUPPORT	3	6.2	
12	MM0576245	SUPPORT	2	6.68	
13	MM0571808	SUPPORT	3	6.2	
14	MM0575265	HINGE	1	.81	
15	MM0576496	GATE	1	8.49	
16	MM0570534	PIN	4	.19	
17	MM0570533	CHAIN	4	.004800000	
18	MM0341421	SHACKLE	1	.013	
19	706303530000	RING PIN	4	0.01	
20	N01530206	BOLT, HEXAGONAL	13	0.067	
21	7001530200	SCREW, HEXAGONAL	2	0.052	
22	704203927120	NUT, HEXAGONAL, TORQUE	70	0.010	
23	7001570018	NUT, SELF-LOCKING	9	.04	
24	704007090000	WASHER, PLAIN	21	0.020	
25	7001530358	SCREW, HEXAGONAL	9	0.153	
26	7001530227	BOLT, HEXAGONAL	16	0.200	
27	N01530219	BOLT, HEXAGONAL	1	0.090	
28	704206458000	JOINT PIN	1	0.04	
29	7001530196	SCREW, HEXAGONAL	1	0.044	
30	MM0362616	SPRING	1	.15	
31	7001530208	SCREW, HEXAGONAL	2	0.060	
32	706303524000	PIN, SPRING	2	0.104	
33	MM0592584	PLATE	1	.98	
34	MM0592597	CLAMP	2	.79	
35	N01621201	WASHER	2	0.0325	

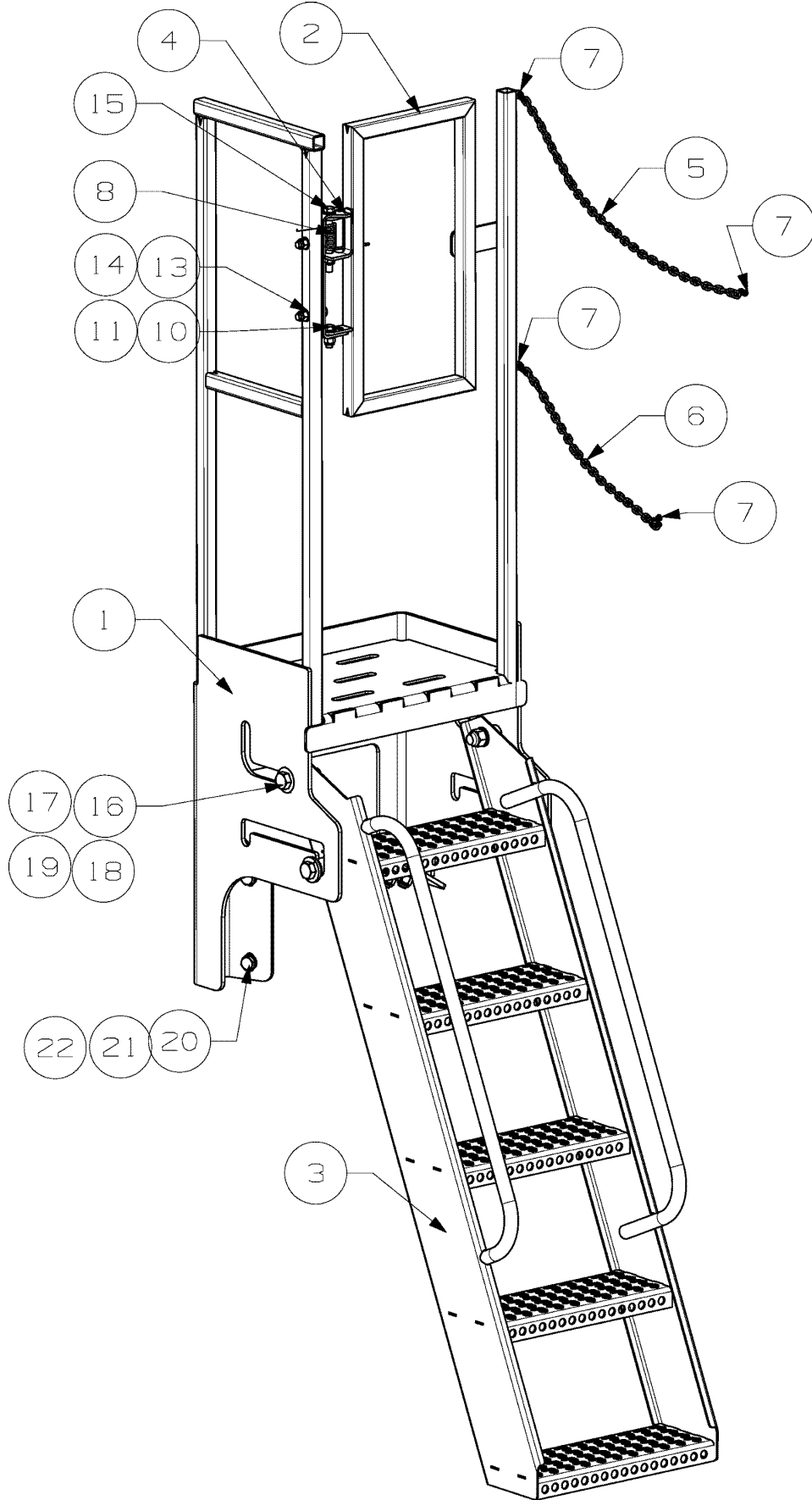


DETAIL A



Lokotrack ST3.8 s/n 77916  
MM0567570\_2\_2 PLATFORM, ASSEMBLY

Pos.	Part No.	Description	Qty	Net Wght	Page
1	MM0567572	PLATFORM	2	57.24	
2	MM0574596	PLATFORM	2	37.68	
3	MM0573495	HANDRAIL	1	26.41	
4	MM0567731	HANDRAIL	1	20.32	
5	MM0567748	HANDRAIL	1	21	
6	MM0574296	HANDRAIL	1	20	
7	MM0574345	HANDRAIL	1	24.38	
8	MM0353675	BOLT, MUSHROOM HEAD SQUARE NECK	1	.06	
9	704006970000	WASHER, PLAIN	103	0.005	
10	MM0572864	PLATFORM	1	105.23	102
11	MM0574226	SUPPORT	3	6.2	
12	MM0576245	SUPPORT	2	6.68	
13	MM0571808	SUPPORT	3	6.2	
14	MM0575265	HINGE	1	.81	
15	MM0576496	GATE	1	8.49	
16	MM0570534	PIN	4	.19	
17	MM0570533	CHAIN	4	.004800000	
18	MM0341421	SHACKLE	1	.013	
19	706303530000	RING PIN	4	0.01	
20	N01530206	BOLT, HEXAGONAL	13	0.067	
21	7001530200	SCREW, HEXAGONAL	2	0.052	
22	704203927120	NUT, HEXAGONAL, TORQUE	70	0.010	
23	7001570018	NUT, SELF-LOCKING	9	.04	
24	704007090000	WASHER, PLAIN	21	0.020	
25	7001530358	SCREW, HEXAGONAL	9	0.153	
26	7001530227	BOLT, HEXAGONAL	16	0.200	
27	N01530219	BOLT, HEXAGONAL	1	0.090	
28	704206458000	JOINT PIN	1	0.04	
29	7001530196	SCREW, HEXAGONAL	1	0.044	
30	MM0362616	SPRING	1	.15	
31	7001530208	SCREW, HEXAGONAL	2	0.060	
32	706303524000	PIN, SPRING	2	0.104	
33	MM0592584	PLATE	1	.98	
34	MM0592597	CLAMP	2	.79	
35	N01621201	WASHER	2	0.0325	

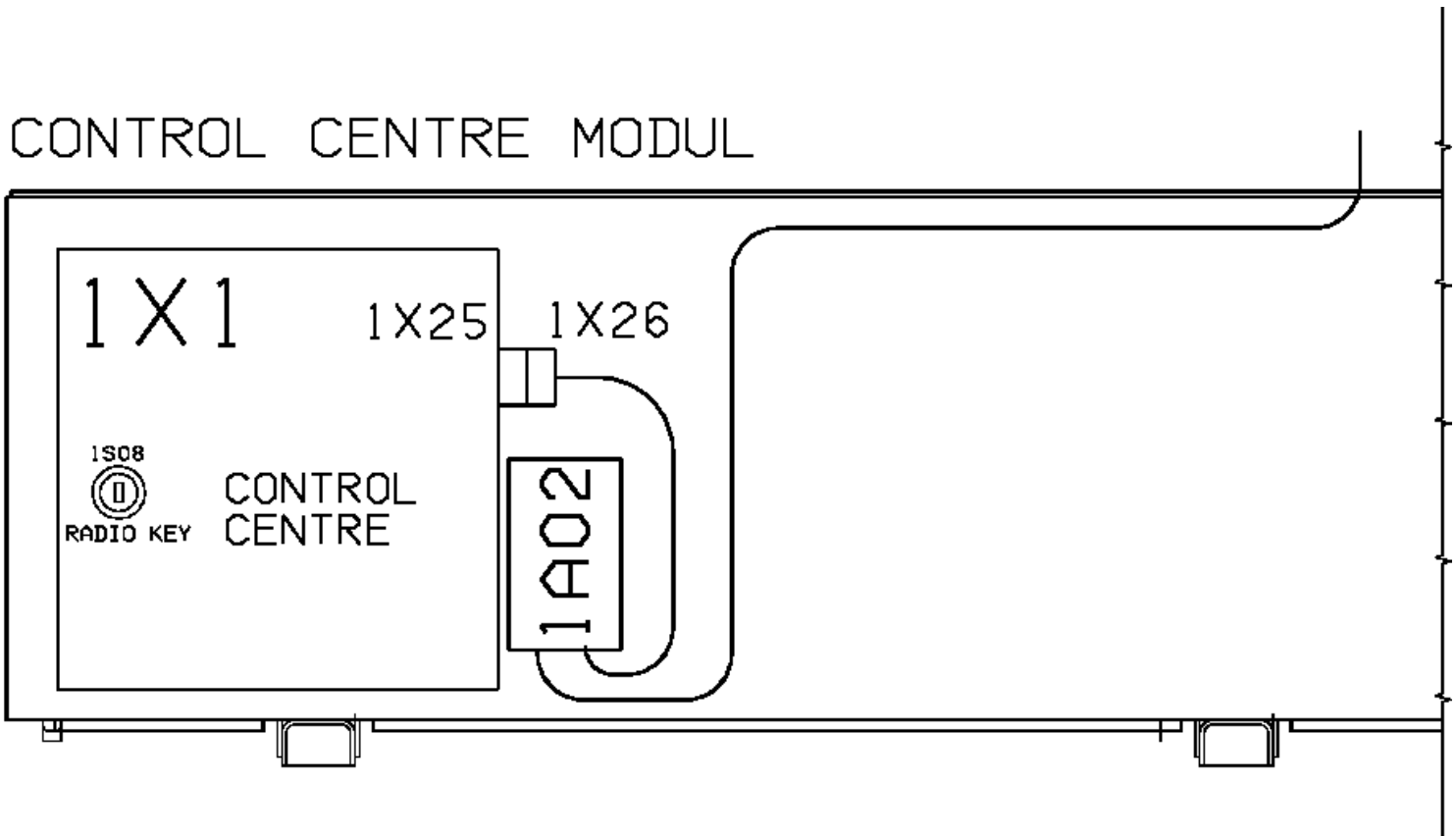




Lokotrack ST3.8 s/n 77916  
MM0572864\_0 PLATFORM

Pos.	Part No.	Description	Qty	Net Wght
1	MM0573211	PLATFORM	1	51.4
2	MM0573178	GATE	1	4
3	MM0574940	STAIRS	1	34.57
4	MM0575265	HINGE	1	.81
5	MM0575034	CHAIN	1	.0048
6	MM0575321	CHAIN	1	.17
7	MM0341421	SHACKLE	1	.013
8	MM0362616	SPRING	1	.15
10	7001530196	SCREW, HEXAGONAL	1	0.044
11	704006970000	WASHER, PLAIN	8	0.005
13	704203927120	NUT, HEXAGONAL, TORQUE	4	0.010
14	7001530208	SCREW, HEXAGONAL	2	0.060
15	N01530219	BOLT, HEXAGONAL	1	0.090
16	704007130000	WASHER, PLAIN	5	0.020
17	7001570020	NUT, HEXAGONAL, TORQUE	5	0.100
18	N01530428	BOLT, HEXAGONAL	4	0.255
19	N01621203	WASHER	4	0.076
20	7001530309	SCREW, HEXAGONAL	5	0.094
21	704007040000	WASHER, PLAIN	10	0.011
22	704203927160	NUT, HEXAGONAL, TORQUE	5	0.035

# CONTROL CENTRE MODUL



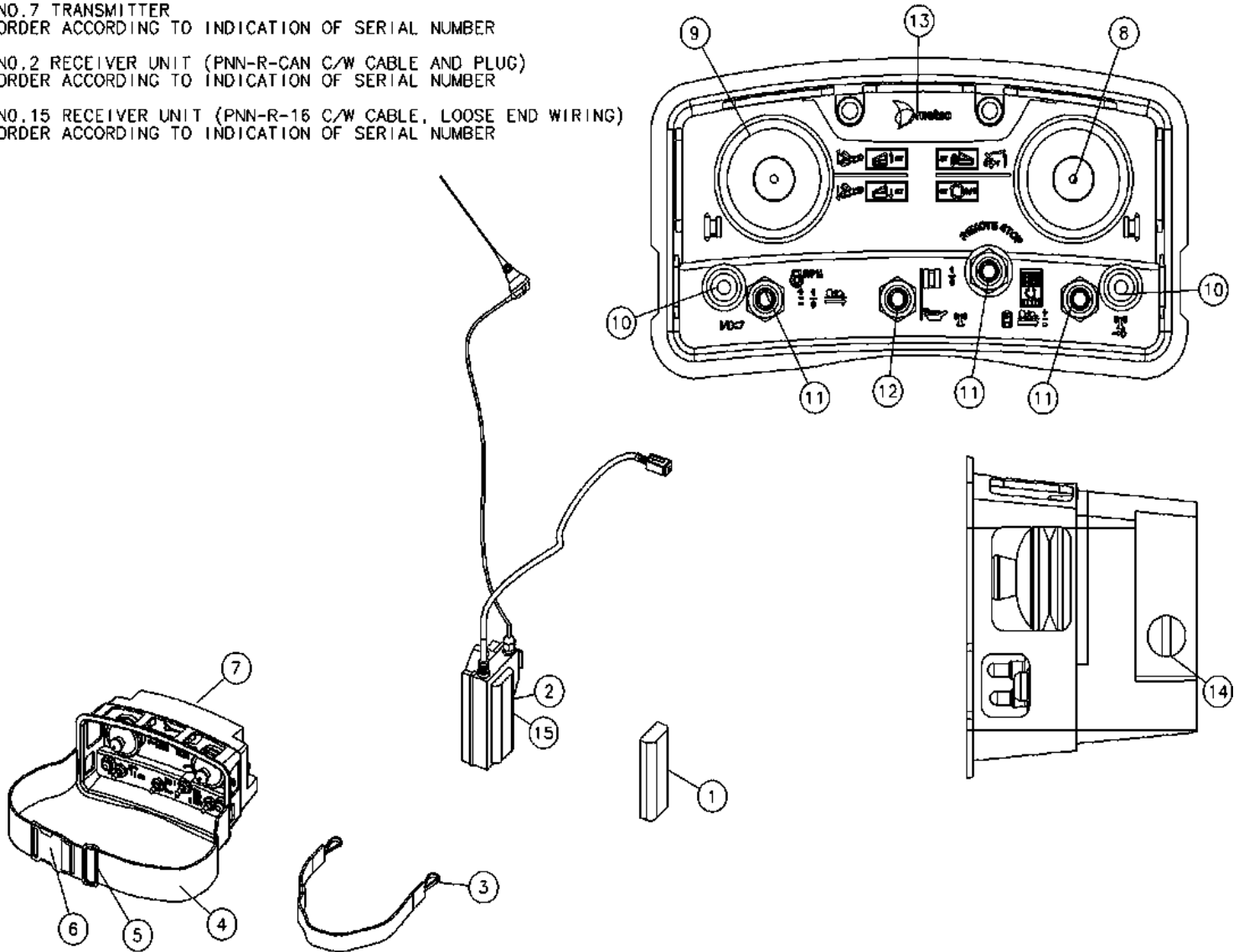
Pos.	Part No.	Description	Qty	Net Wght	Page
1	N11450226	RADIO CONTROL	1	5	104
1S08	N05256543	KEY SWITCH	1	0.01	

NOTES:

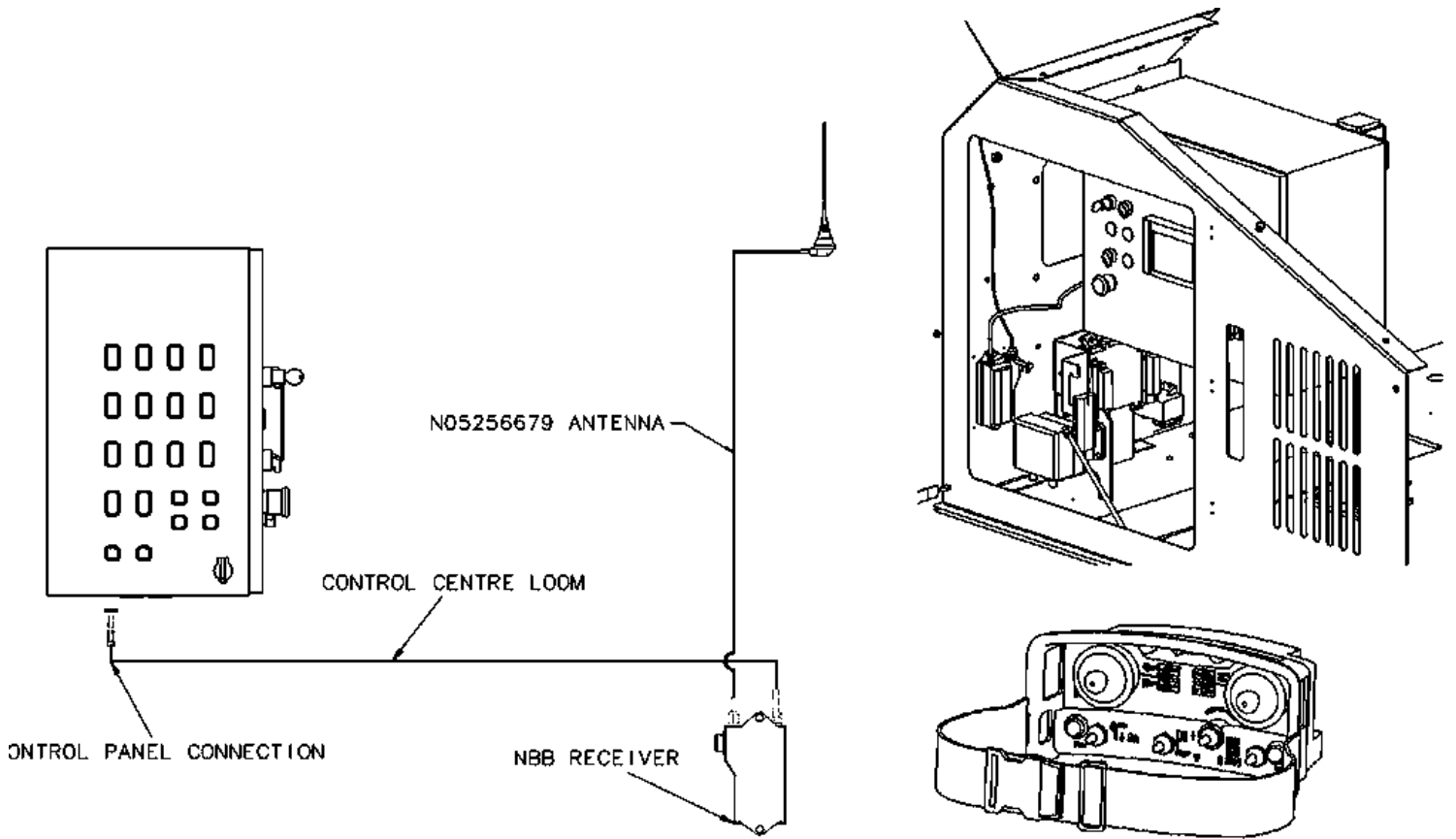
NO.7 TRANSMITTER  
ORDER ACCORDING TO INDICATION OF SERIAL NUMBER

NO.2 RECEIVER UNIT (PNN-R-CAN C/W CABLE AND PLUG)  
ORDER ACCORDING TO INDICATION OF SERIAL NUMBER

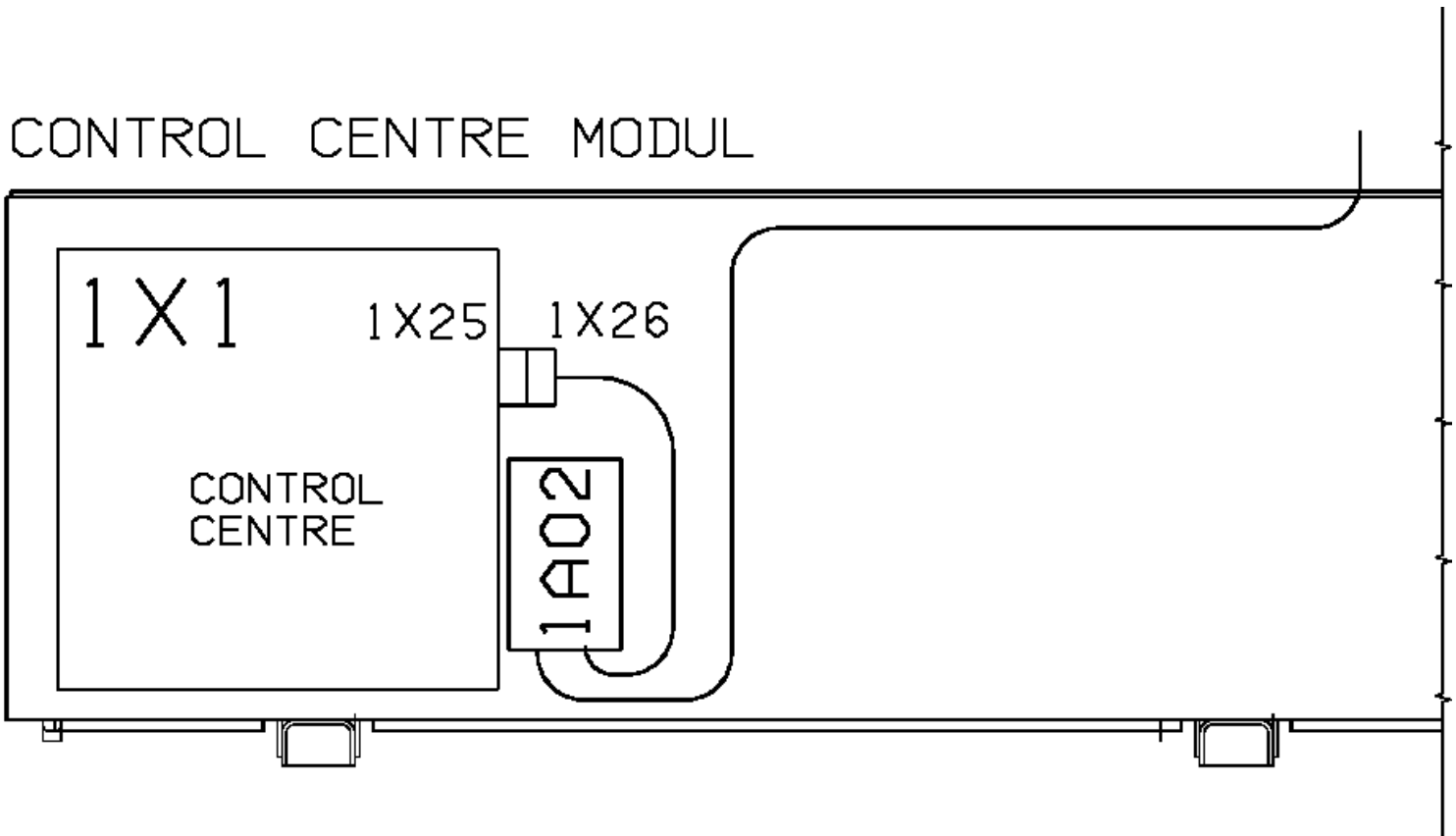
NO.15 RECEIVER UNIT (PNN-R-16 C/W CABLE, LOOSE END WIRING)  
ORDER ACCORDING TO INDICATION OF SERIAL NUMBER







CONTROL CENTRE MODUL

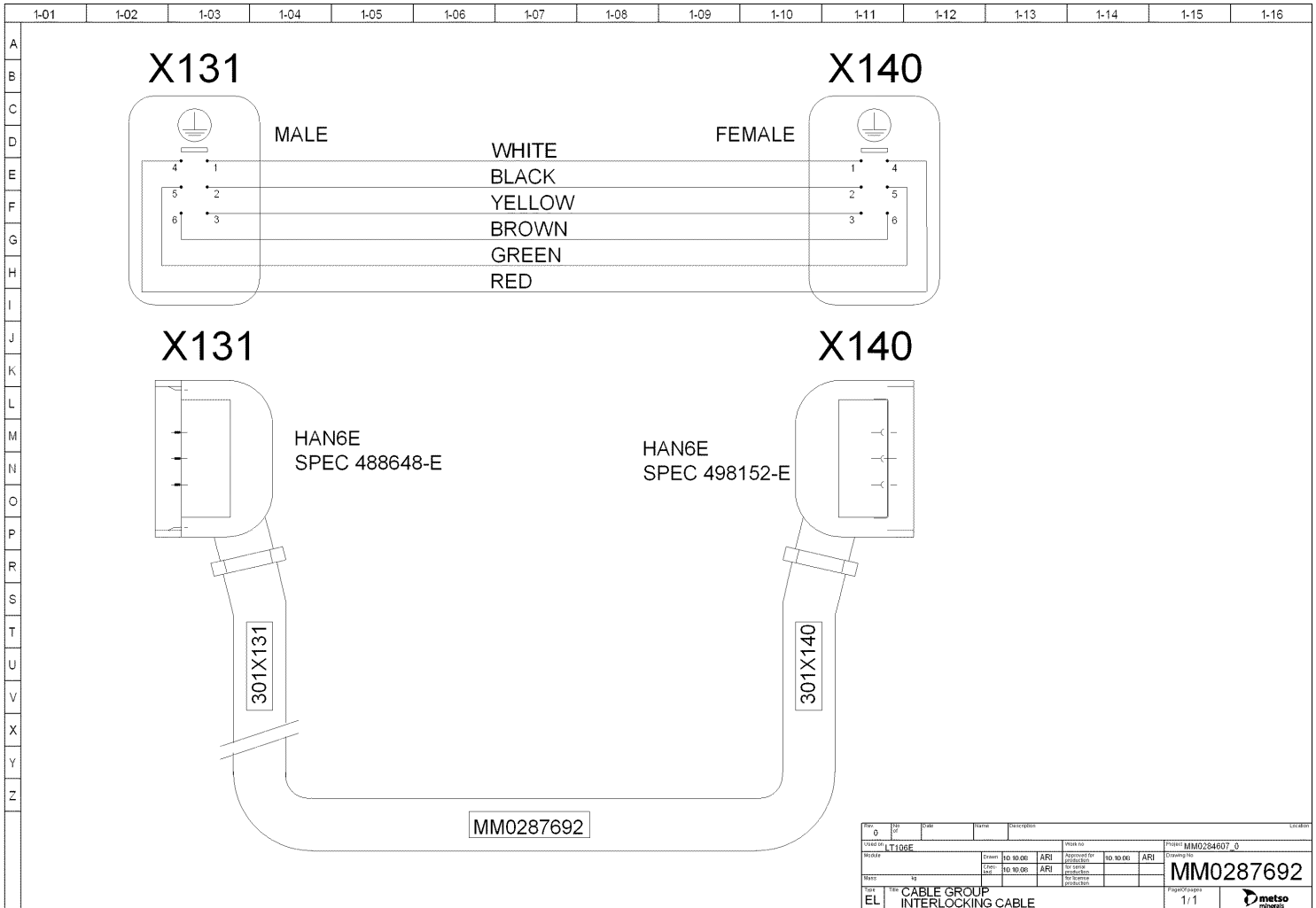




Lokotrack ST3.8 s/n 77916  
N11450226\_- RADIO CONTROL

Description
-------------

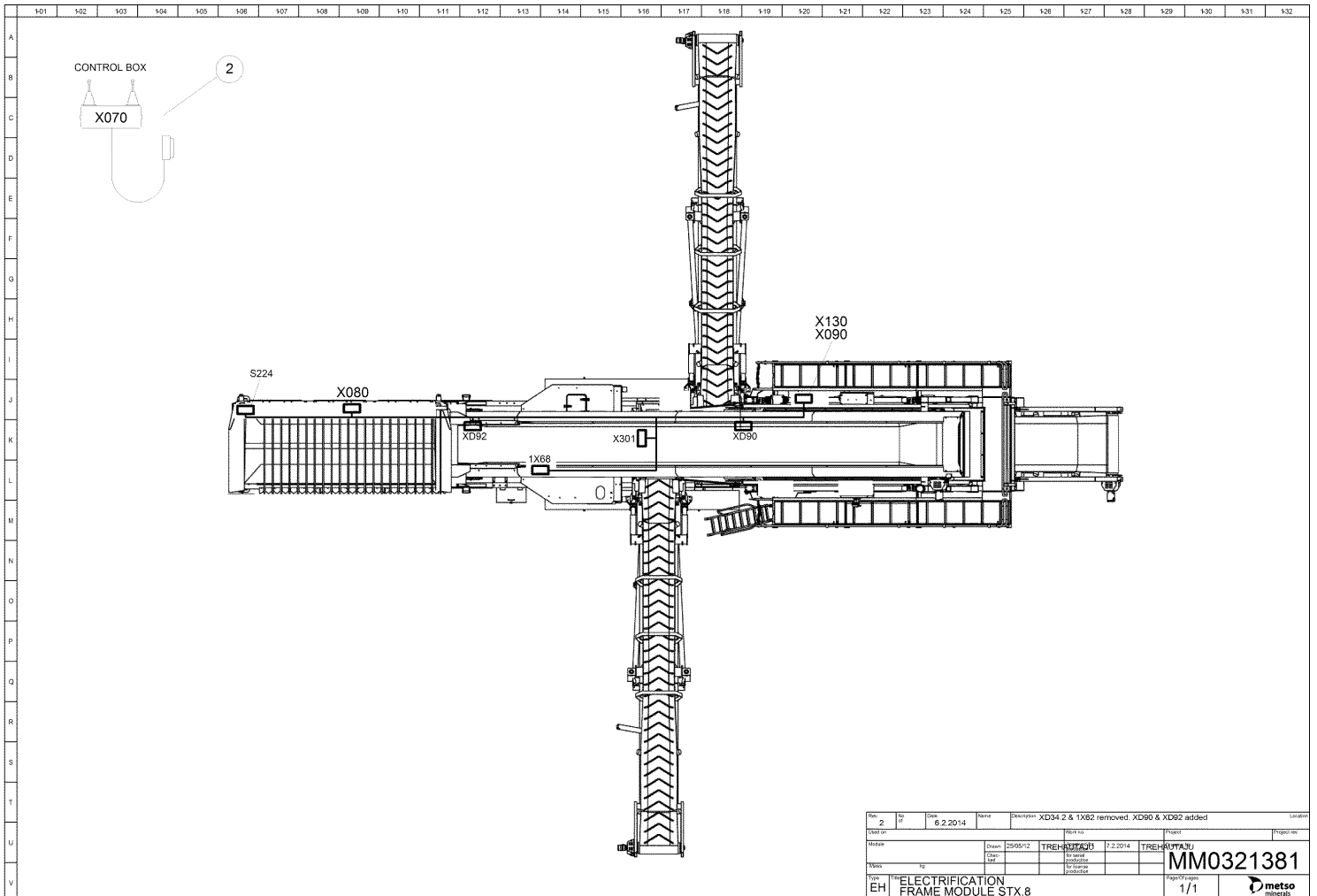
THIS PAGE HAS BEEN LEFT INTENTIONALLY BLANK





Lokotrack ST3.8 s/n 77916  
MM0287692\_0 CABLE GROUP

Pos.	Part No.	Description	Qty	Net Wght
301	707600410300	CABLE	1	
X131	707301593780	SOCKET PLUG	1	0.1
X140	707301593782	SOCKET	1	0.2



Rev:	2	Date:	6.2.2014	Description:	XD34.2 & 1X82 removed. XD90 & XD92 added	Location:	
Drawn:	25/05/12	Checked:	TREHVIITÄN	7.2.2014	TREHVIITÄN		
Model:		Part no:				MM0321381	
View:	tz	Scale:					
Author:	EH	Project no.:				1/1	



Lokotrack ST3.8 s/n 77916  
MM0321381\_2 ELECTRIFICATION

Pos.	Part No.	Description	Qty	Net Wght	Page
1	MM0414024	CABLE GROUP	1		107
2	707301552950	TORCH LIGHT	1	.743	
X070	MM0344507	CONTROL BOX	1	3.045	108

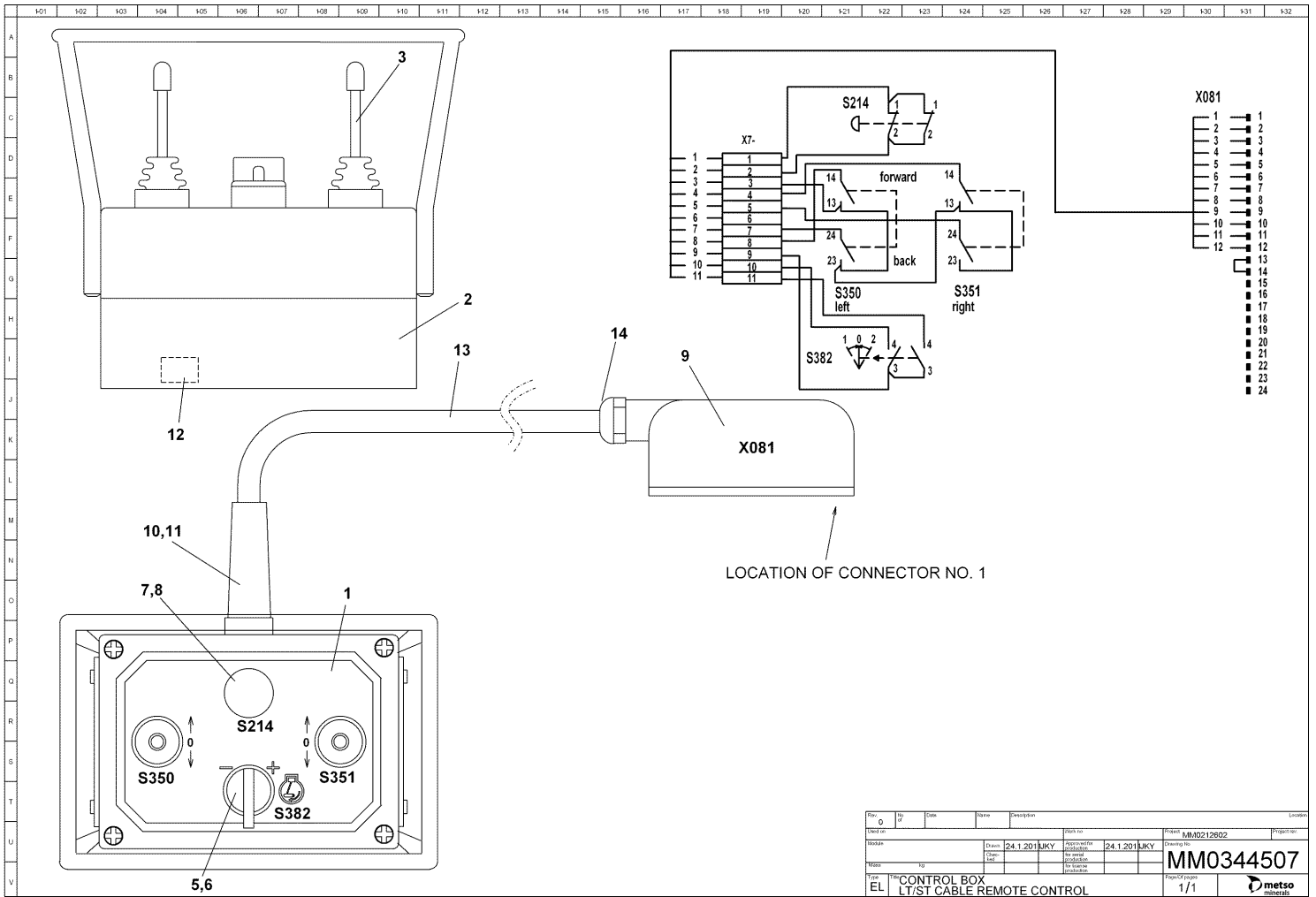






Lokotrack ST3.8 s/n 77916  
MM0414024\_0 CABLE GROUP

Pos.	Part No.	Description	Qty	Net Wght
1X68	N11449814	PLUG	1	0.001
S224	N05222247	LIMIT SWITCH	1	0.25
X080	707301593730	PLUG POINT	1	0.1
X090	707301593730	PLUG POINT	1	0.1
X130	707301593520	PLUG POINT	1	0.2
X301	N11449933	CONNECTOR	1	0.13
XD90	N11449656	PLUG	1	0.113
XD92	N11449656	PLUG	1	0.113



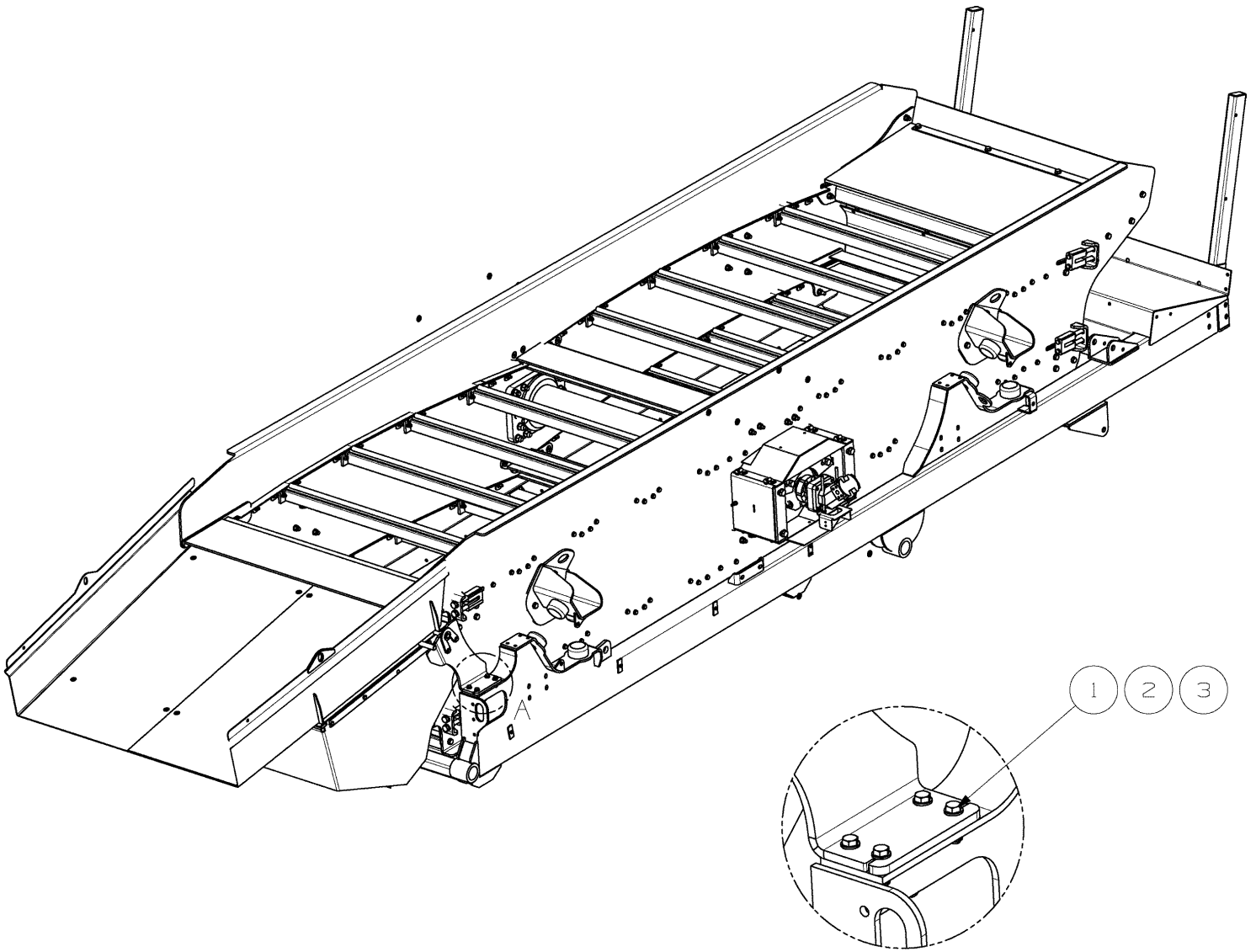
No.	By	Date	Name	Description	Checked	Checked Date	Checked By
01							
02							
03							
04							
05							
06							
07							
08							
09							
10							
11							
12							
13							
14							
15							
16							
17							
18							
19							
20							
21							
22							
23							
24							

Drawn: 24.1.2011 LJKV    Approved: 24.1.2011 LJKV    Checked: MM0212802  
 Checked: 24.1.2011 LJKV  
 Paper no: **MM0344507**  
 Title: CONTROL BOX  
 LT/ST CABLE REMOTE CONTROL    Paper no: 1/1    metso



Lokotrack ST3.8 s/n 77916  
MM0344507\_0 CONTROL BOX

Pos.	Part No.	Description	Qty	Net Wght
0	MM0366441	PIN	6	.005
1	MM0345273	STICKER	1	
2	MM0372369	HANDLE	1	.35
	N05256501	CASE	1	0.465
3	N05222242	JOYSTICK CONTROLLER	2	0.116
5	MM0232900	SWITCH	1	0.0907
7	MM0344294	SWITCH, PUSH BUTTON	1	.044
8	MM0223951	BLOCK, CONTACT	1	0.030
9	707301593880	SOCKET PLUG	1	.349
10	N05241527	NUT, BACK	1	0.002
11	N05241930	CABLE SEAL	1	
12	707701973004	CONNECTION STRIP	1	0.04
13	N05208021	ELECTRIC CABLE	1	
14	MM0287857	ADAPTER	1	0.01
	N05241002	CABLE SEAL	1	0.01

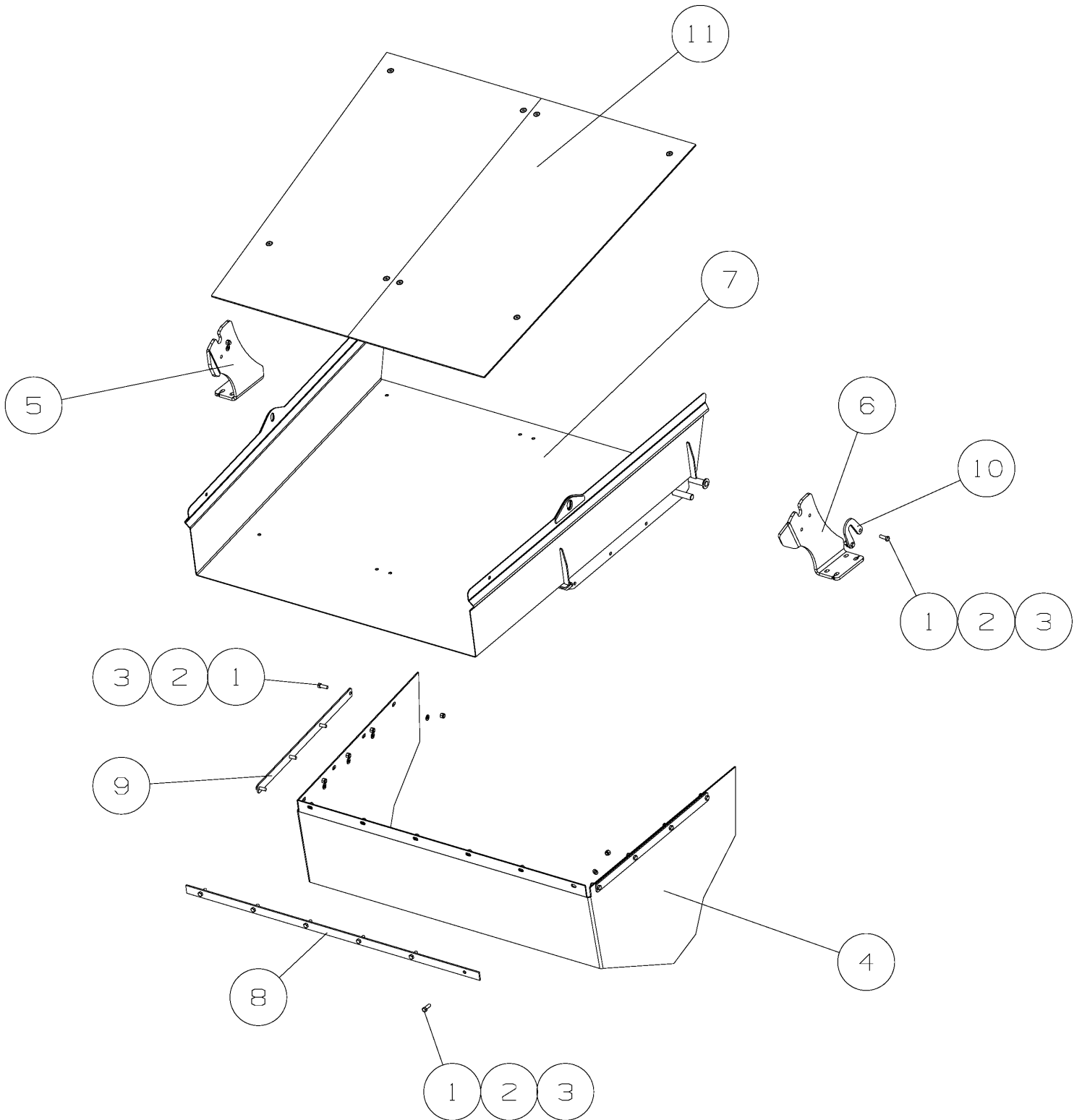


DETAIL A



Lokotrack ST3.8 s/n 77916  
MM1015129\_0 CHUTE INSTALLATION

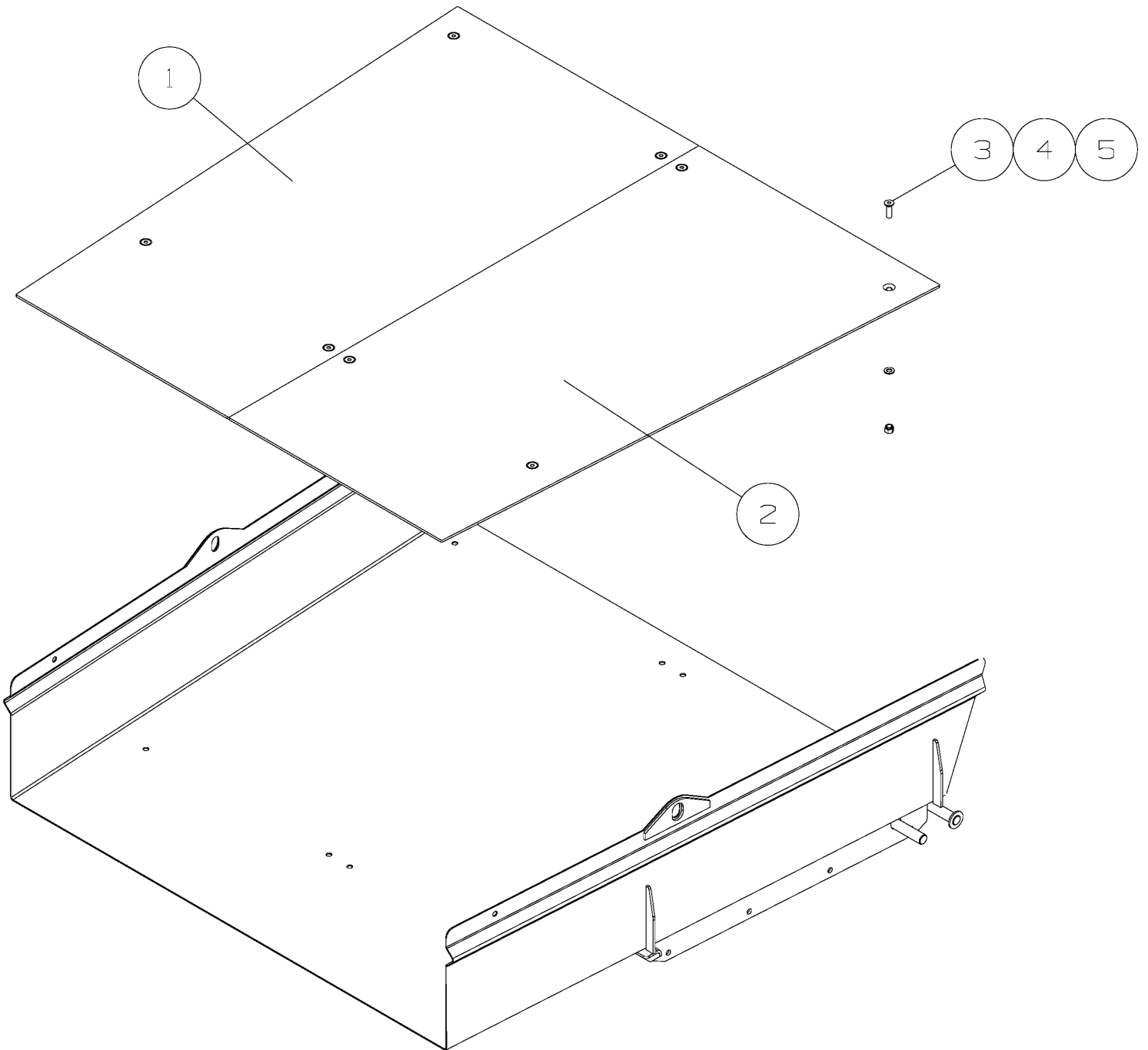
Pos.	Part No.	Description	Qty	Net Wght
1	704203927120	NUT, HEXAGONAL, TORQUE	8	0.010
2	7001530200	SCREW, HEXAGONAL	8	0.052
3	704006970000	WASHER, PLAIN	16	0.005





Lokotrack ST3.8 s/n 77916  
MM0580538\_0 CHUTE ASSEMBLY

Pos.	Part No.	Description	Qty	Net Wght	Page
1	704006970000	WASHER, PLAIN	20	0.005	
2	7001570012	NUT, HEXAGONAL, TORQUE	18	0.010	
3	N01530197	BOLT, HEXAGONAL	18	0.05	
4	M11626	PLATE, RUBBER	1	16	
5	M11625	CHUTE INSTALLATION	1	9.17	
6	M11624	CHUTE INSTALLATION	1	9.17	
7	MM0267656	CHUTE	1	105.7	
8	M09812	CLAMP	1		
9	M11640	CLAMP	2	1.42	
10	MM0232088	HOLDER	2		
11	MM0267714	WEAR PLATE INSTALLATION	1	107	111

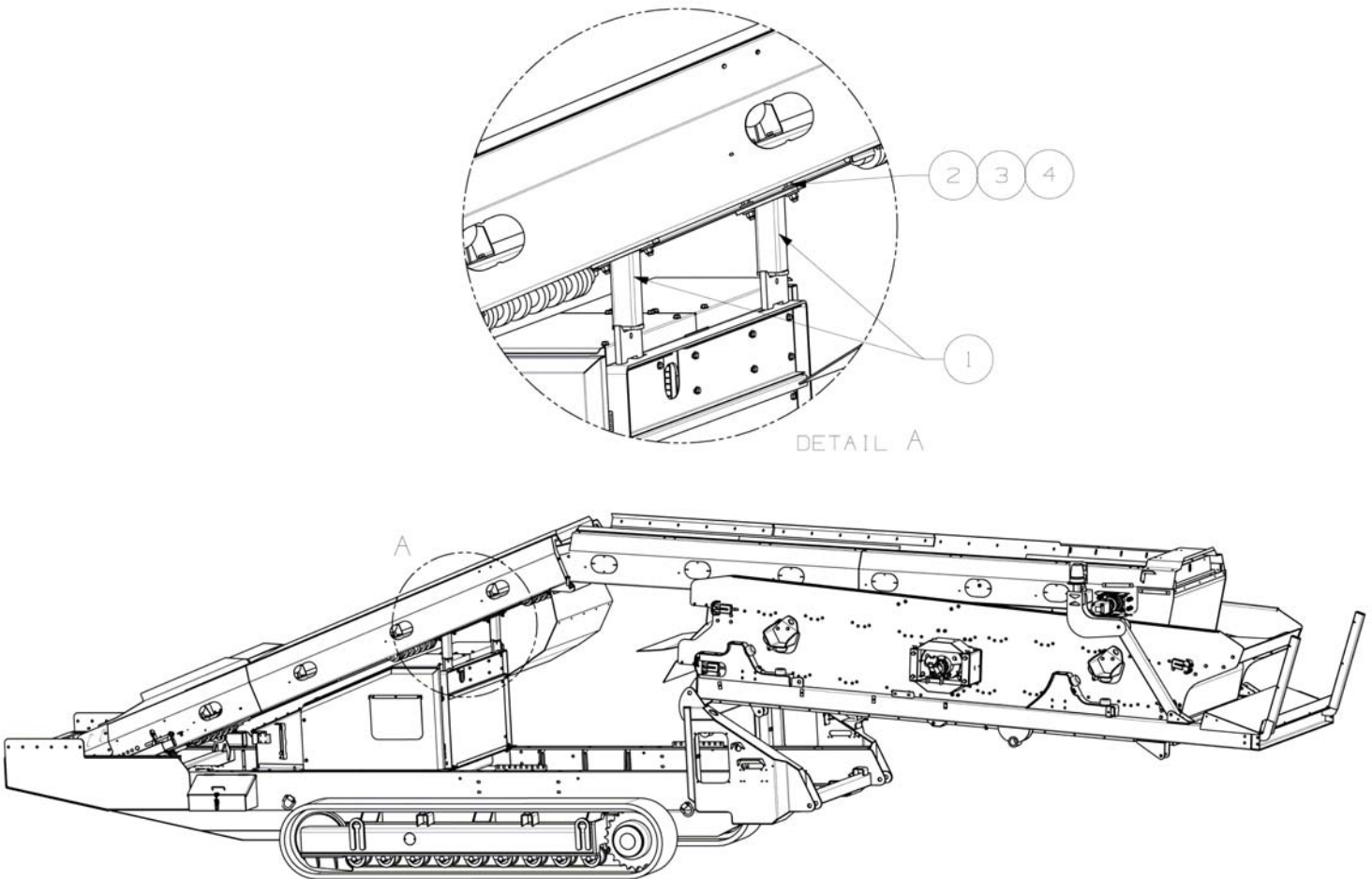






Lokotrack ST3.8 s/n 77916  
MM0267714\_1 WEAR PLATE INSTALLATION

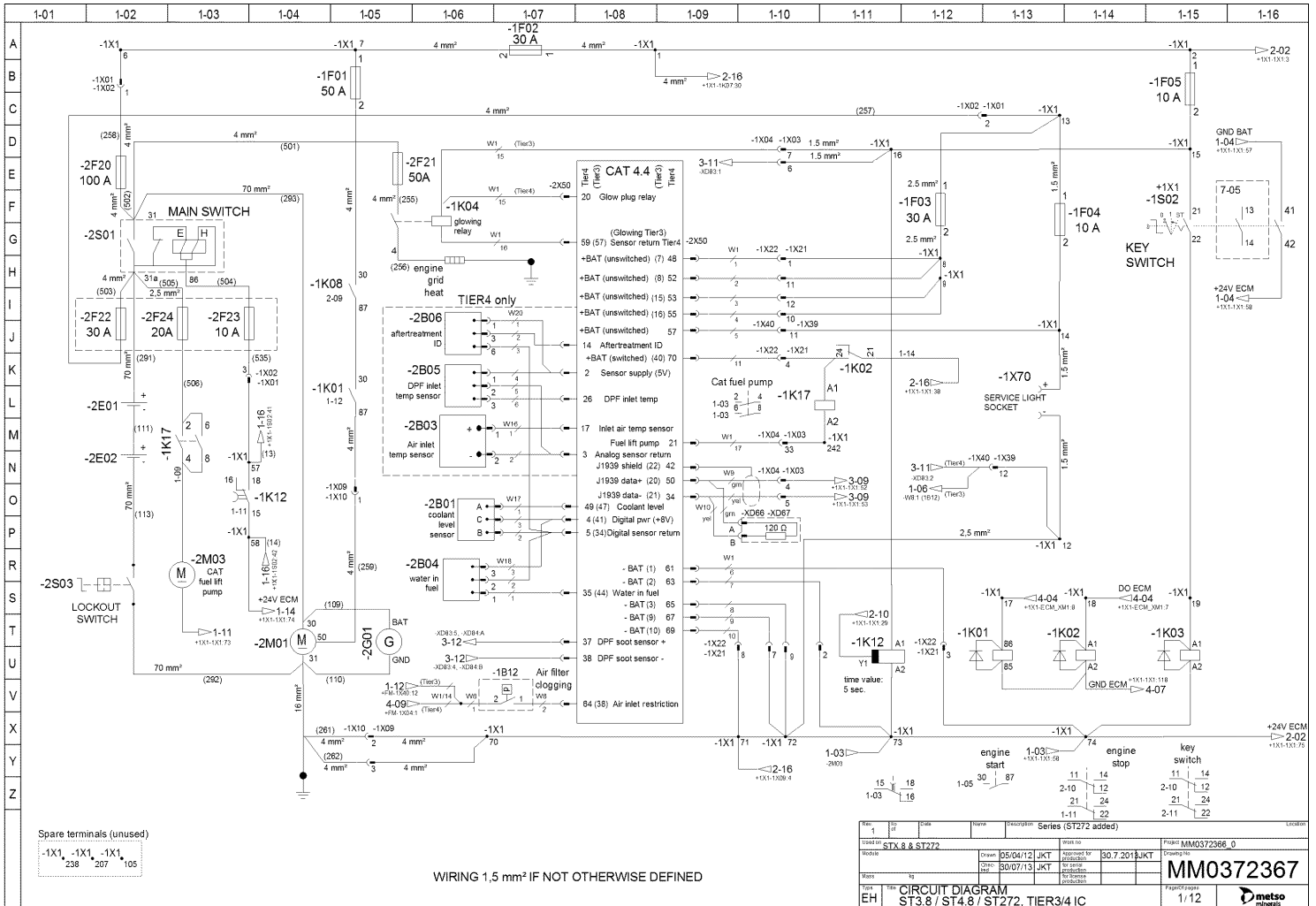
Pos.	Part No.	Description	Qty	Net Wght
1	MM0580707	WEAR PLATE	1	54
2	MM0580732	WEAR PLATE	1	54
3	704501385500	SCREW, HEXAGON SOCKET, COUNTERSUNK HEAD	8	0.030
4	704006970000	WASHER, PLAIN	8	0.005
5	704203927120	NUT, HEXAGONAL, TORQUE	8	0.010

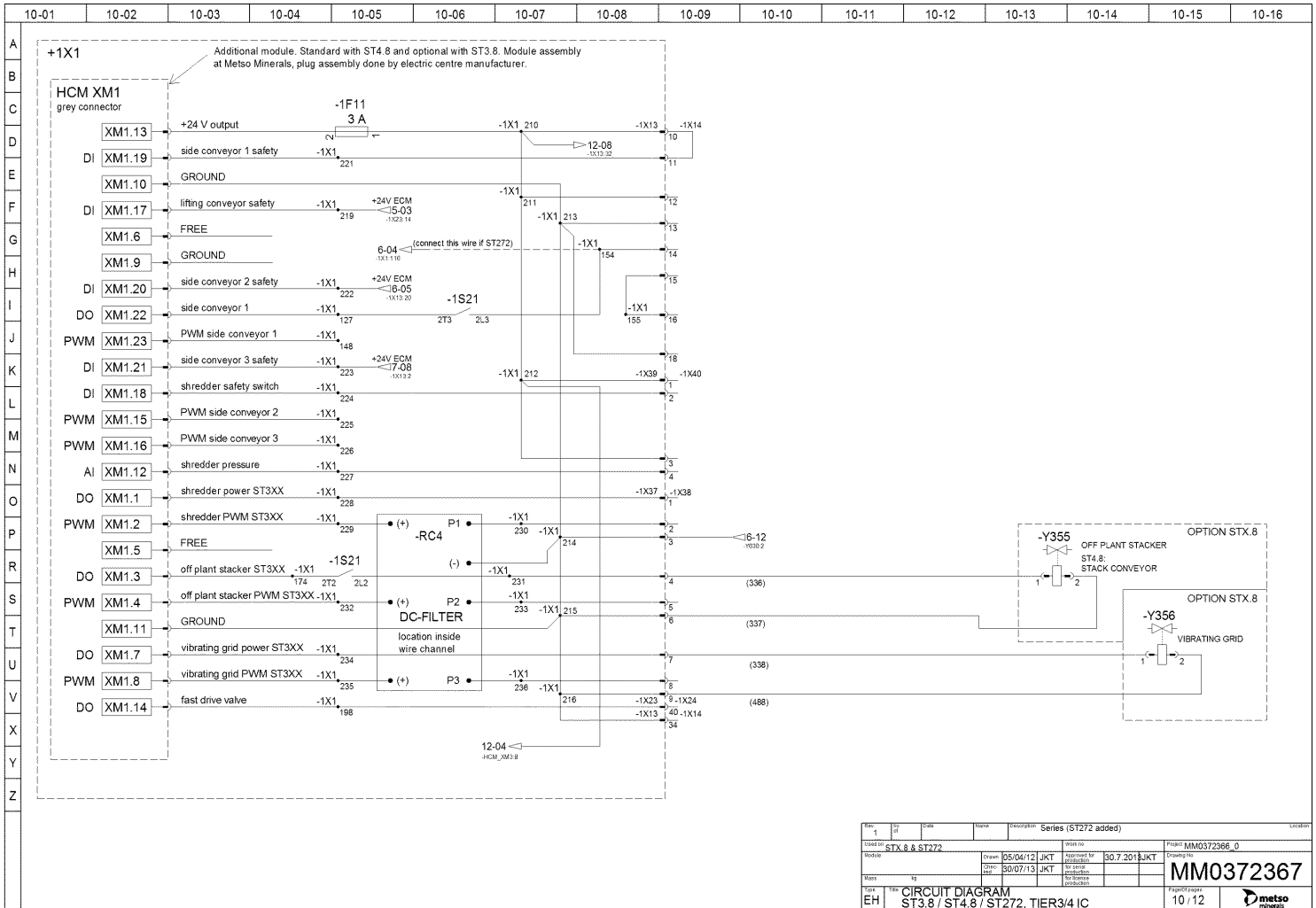




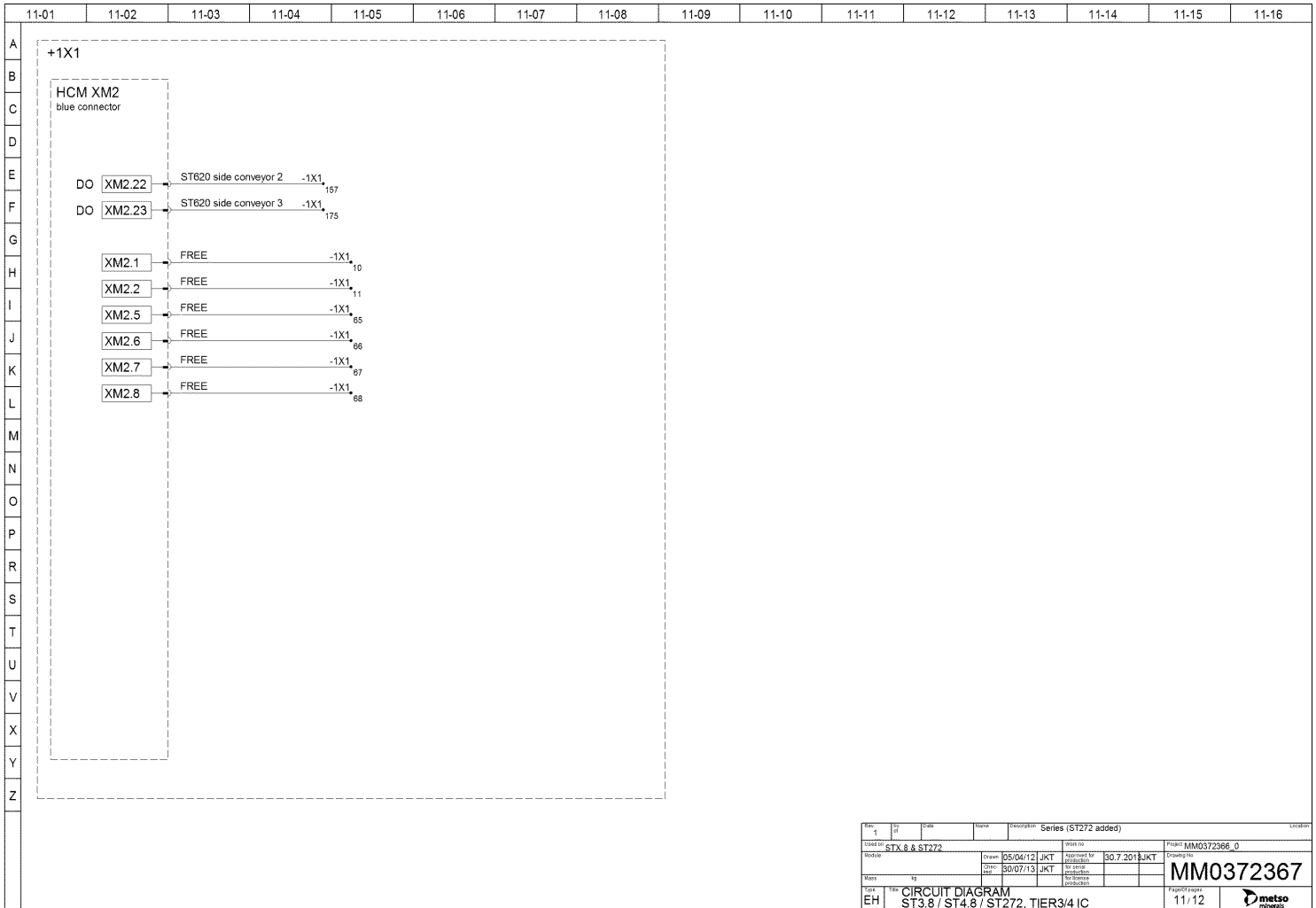
Lokotrack ST3.8 s/n 77916  
MM0566713\_0 CONVEYOR SUPPORT

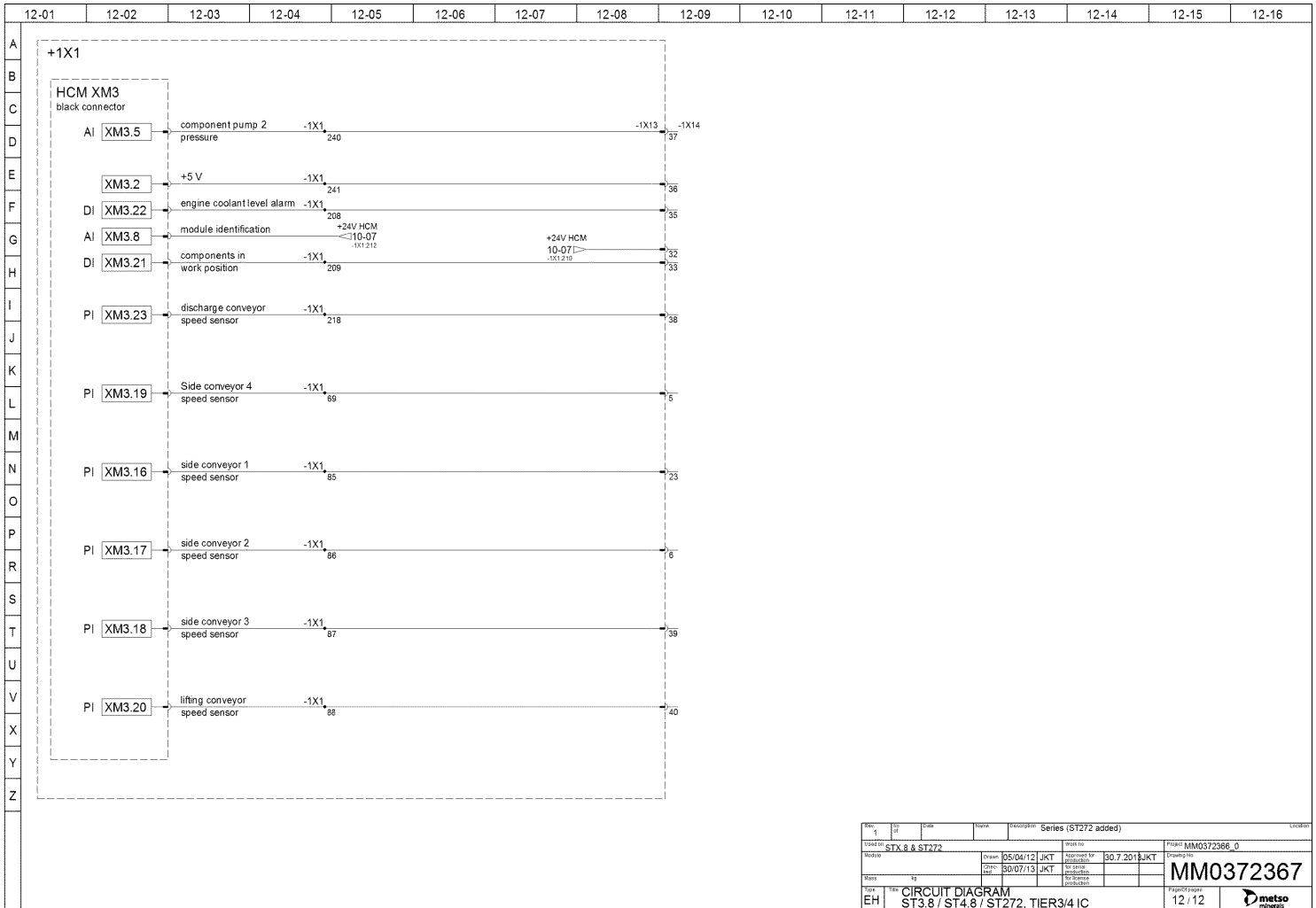
Pos.	Part No.	Description	Qty	Net Wght
1	MM0569234	SUPPORT LEG	2	4.88
2	704203927160	NUT, HEXAGONAL, TORQUE	4	0.035
3	N01621202	WASHER	8	0.0643
4	704201431000	SCREW, HEXAGONAL	4	0.110

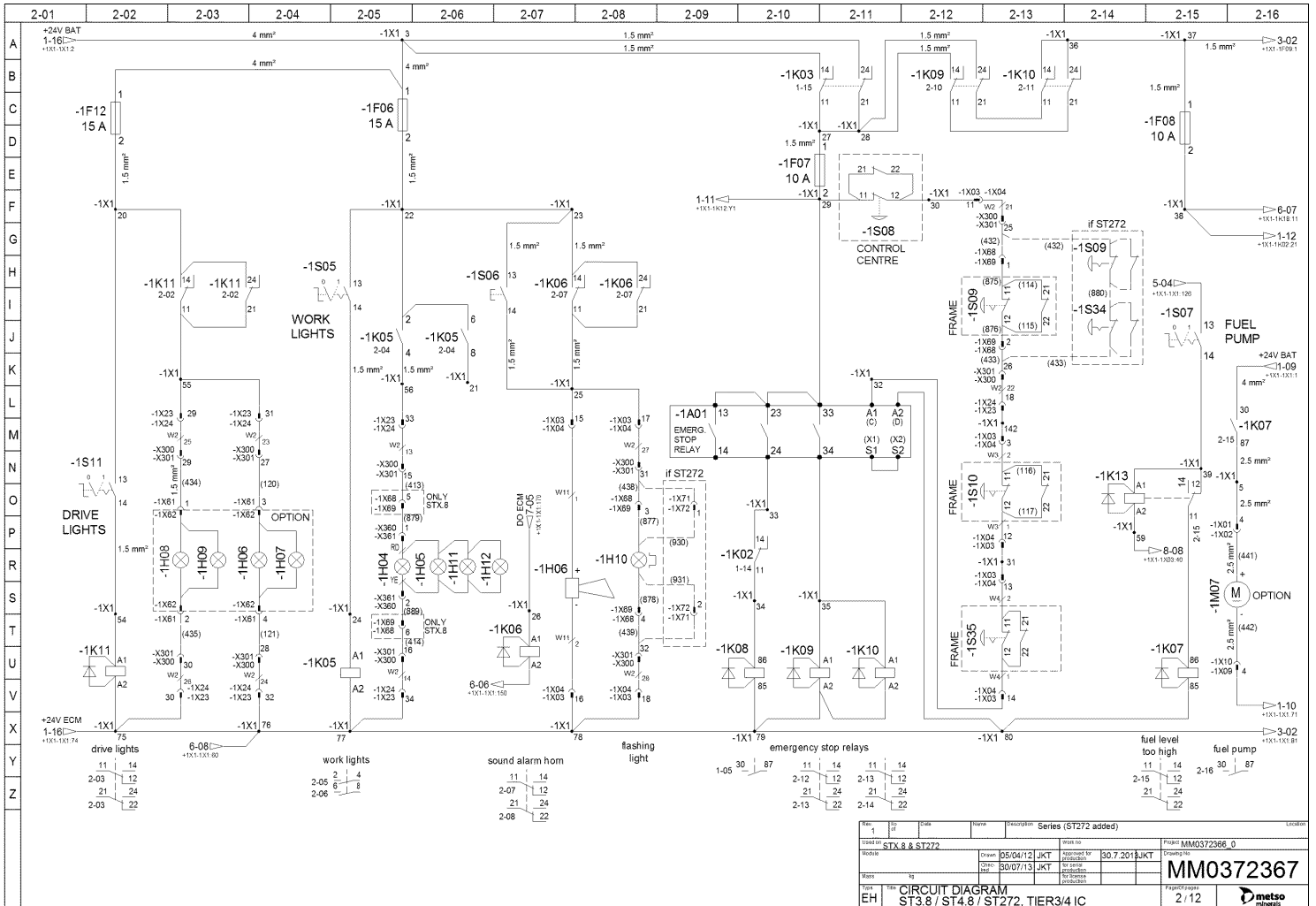




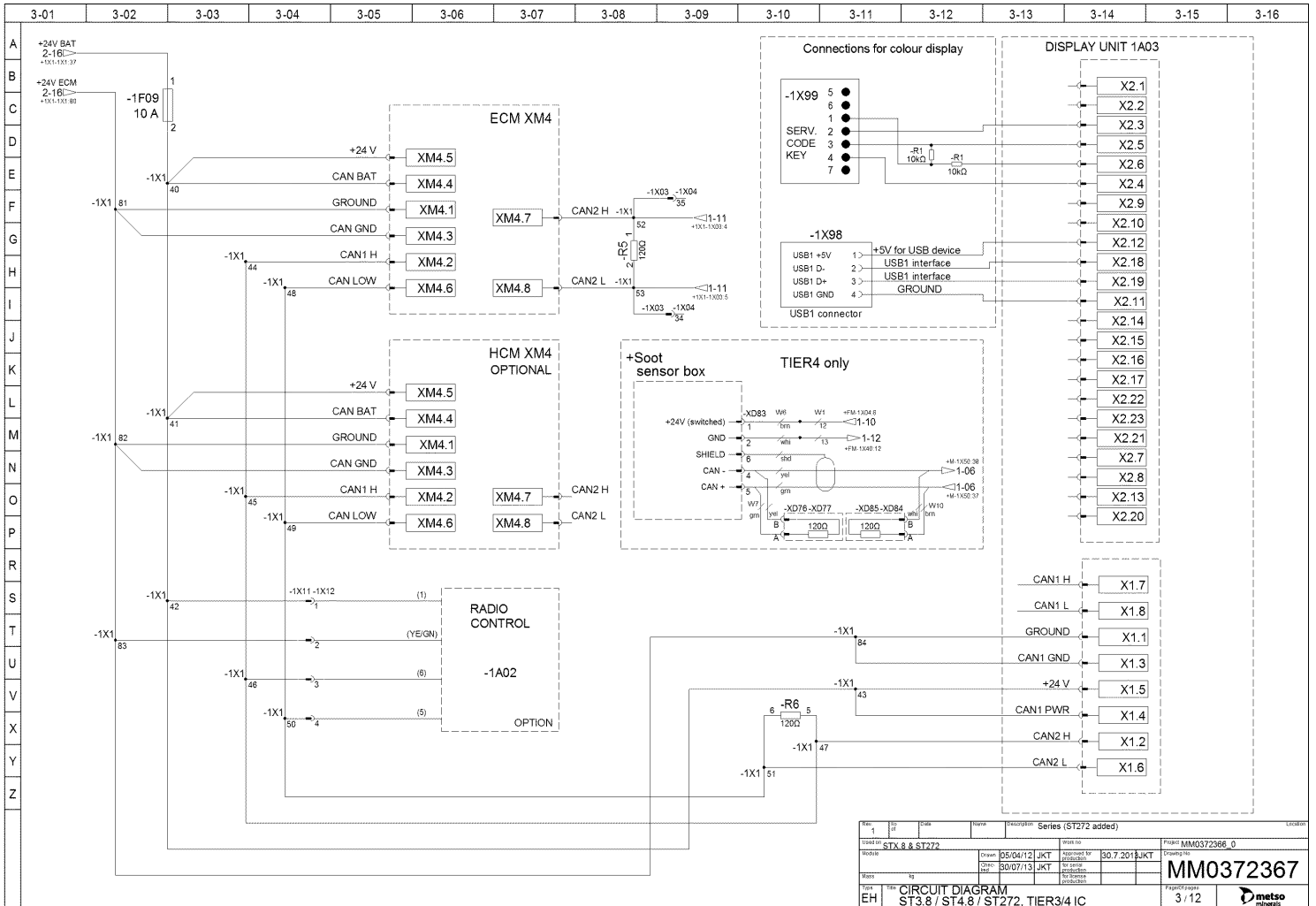
REV	DATE	BY	CHKD	DESCRIPTION	APPROVED BY	DATE	PROJECT
1	05/04/12	JKT	JKT	Series (ST272 added)	SO.7.201	JKT	MM0372366_0
2	30/07/13	JKT	JKT				MM0372367
EH				CIRCUIT DIAGRAM ST3.8 / ST4.8 / ST272, TIER3/4 IC			Page/Total 10 / 12

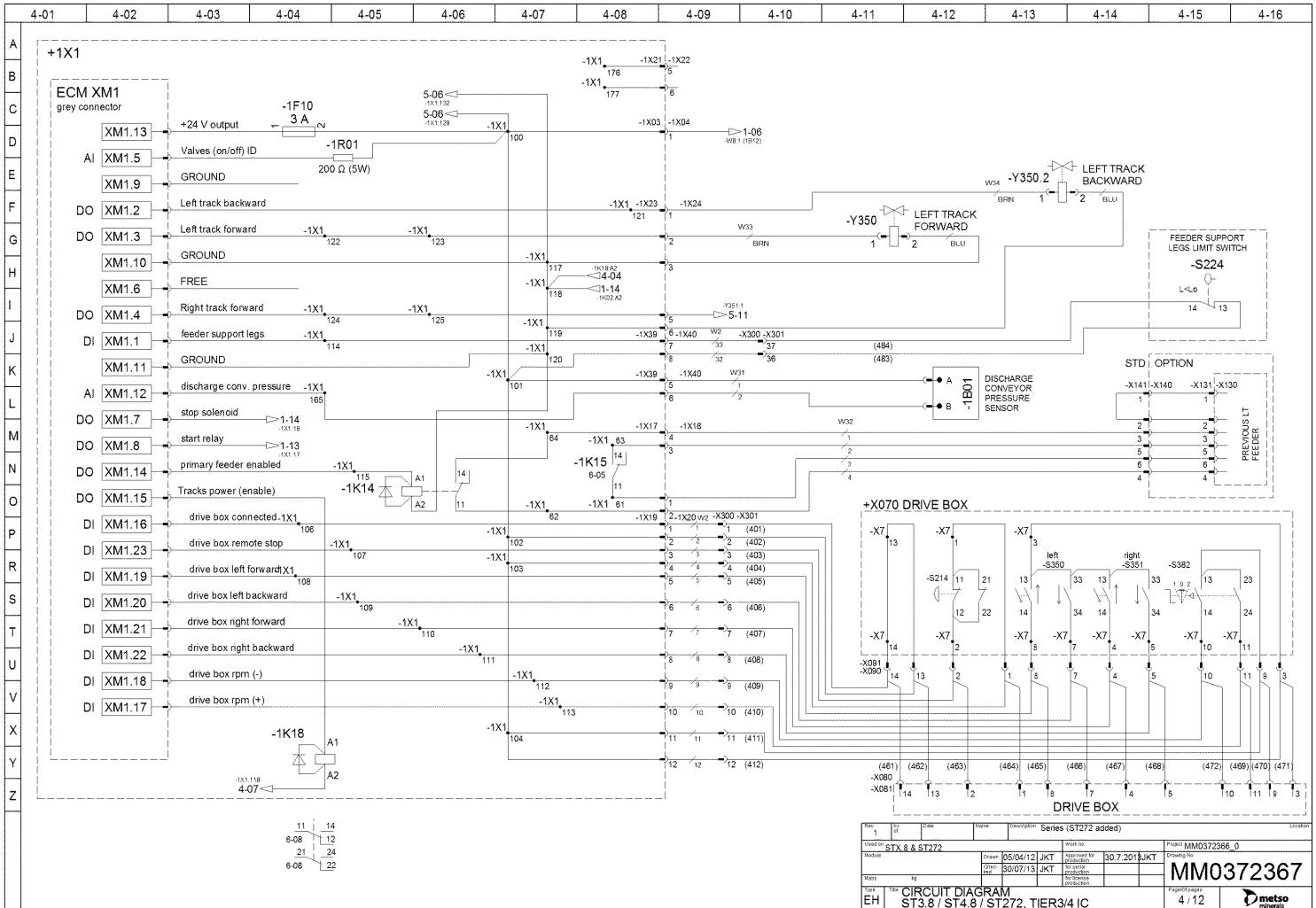


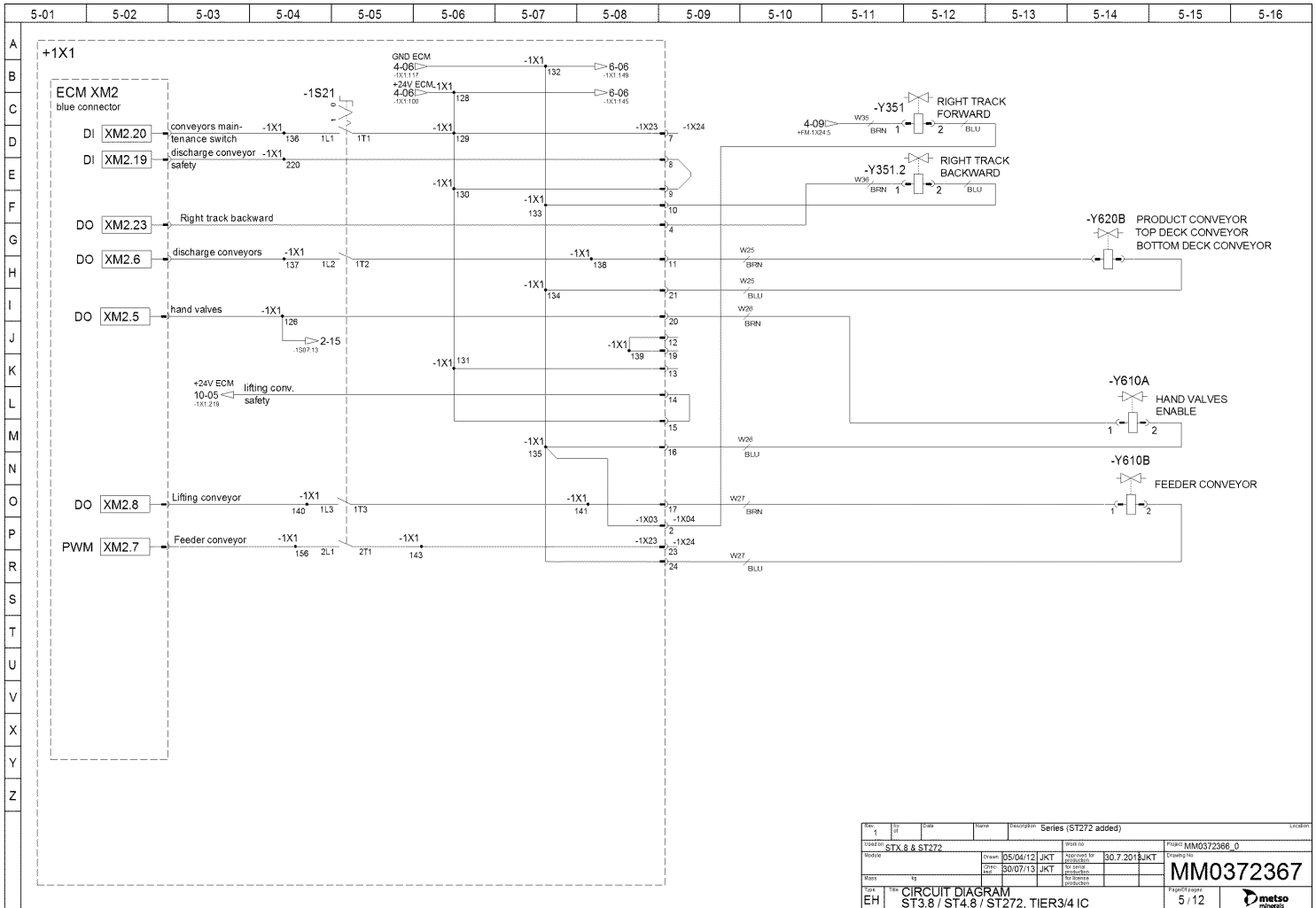




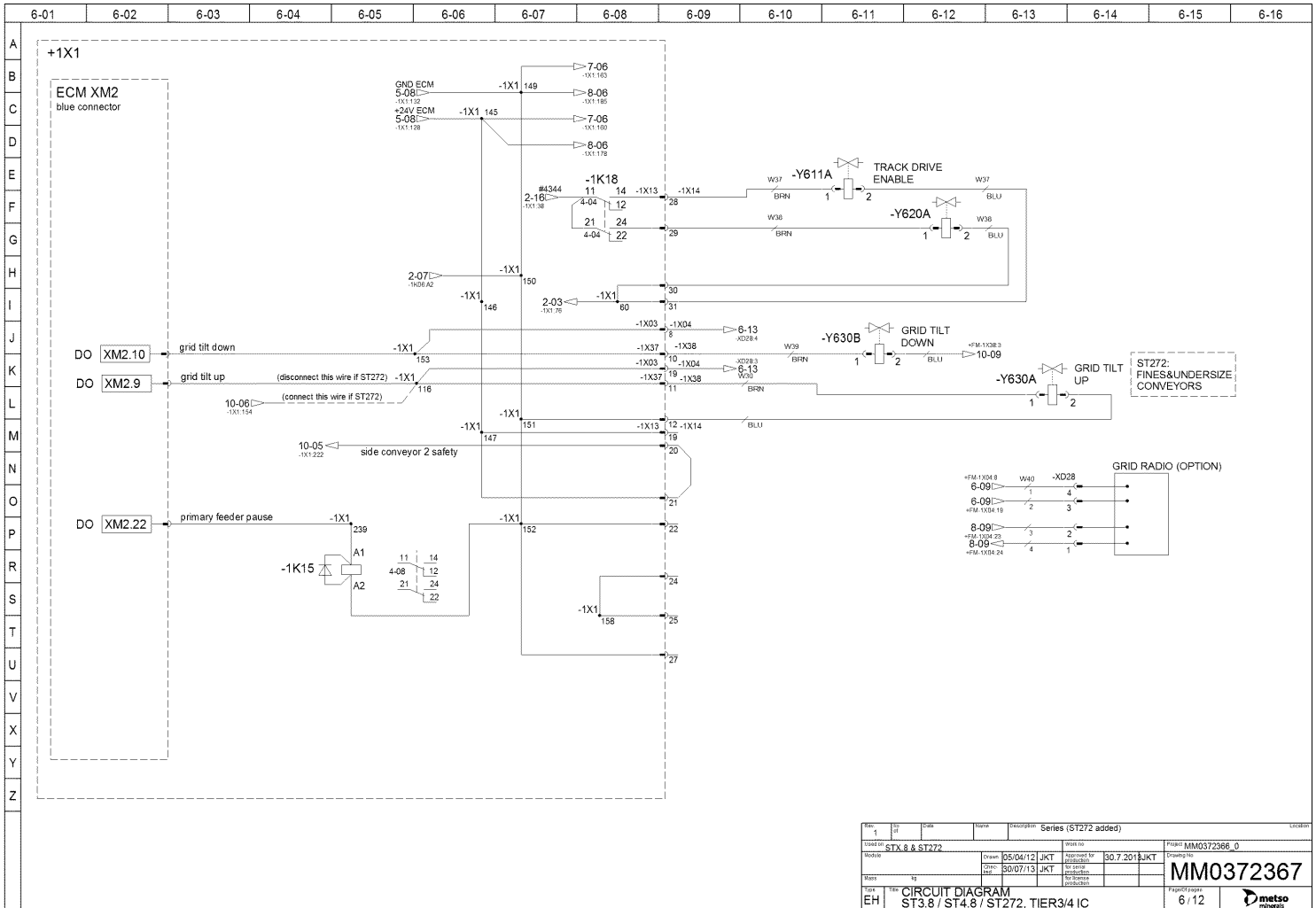




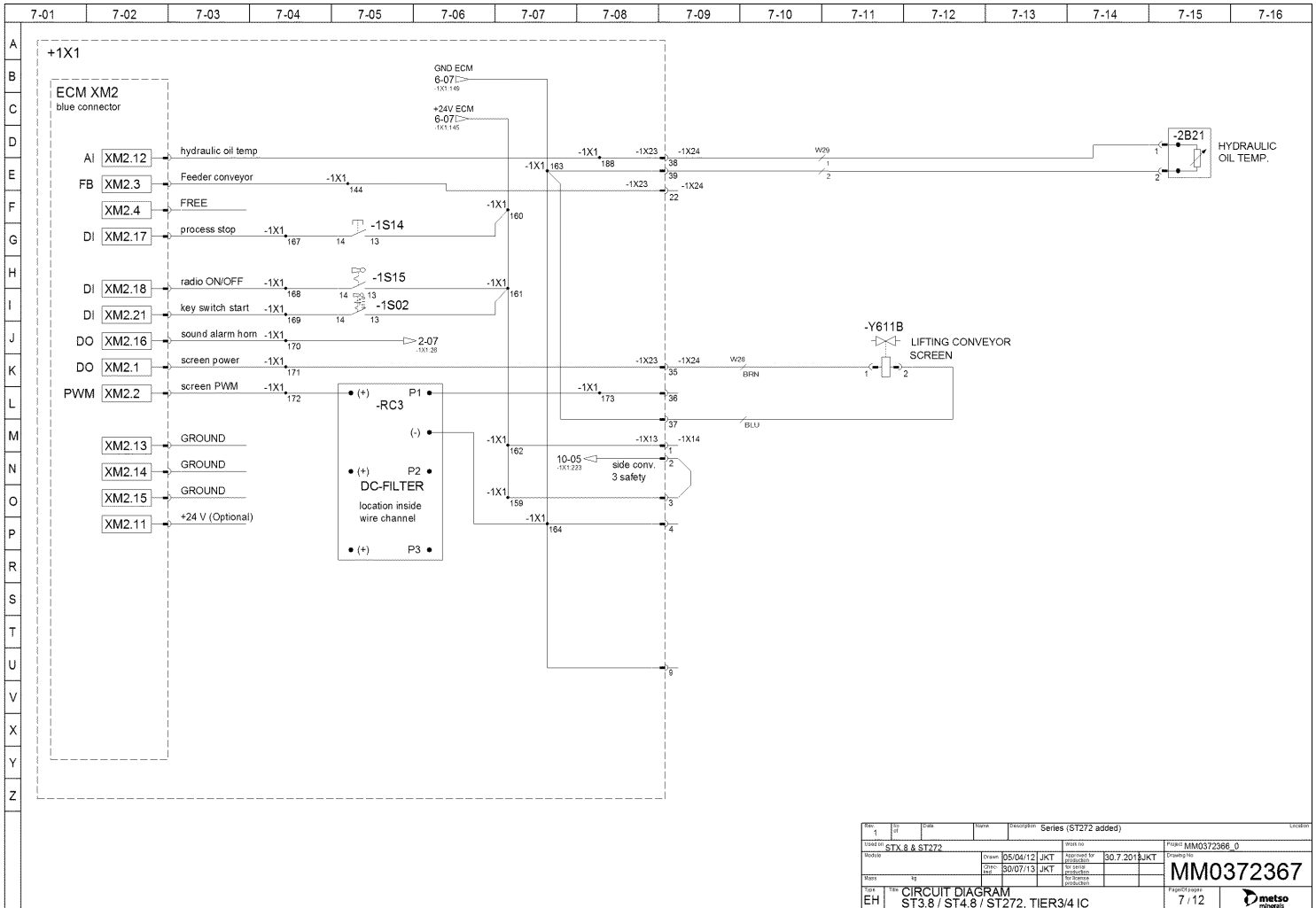




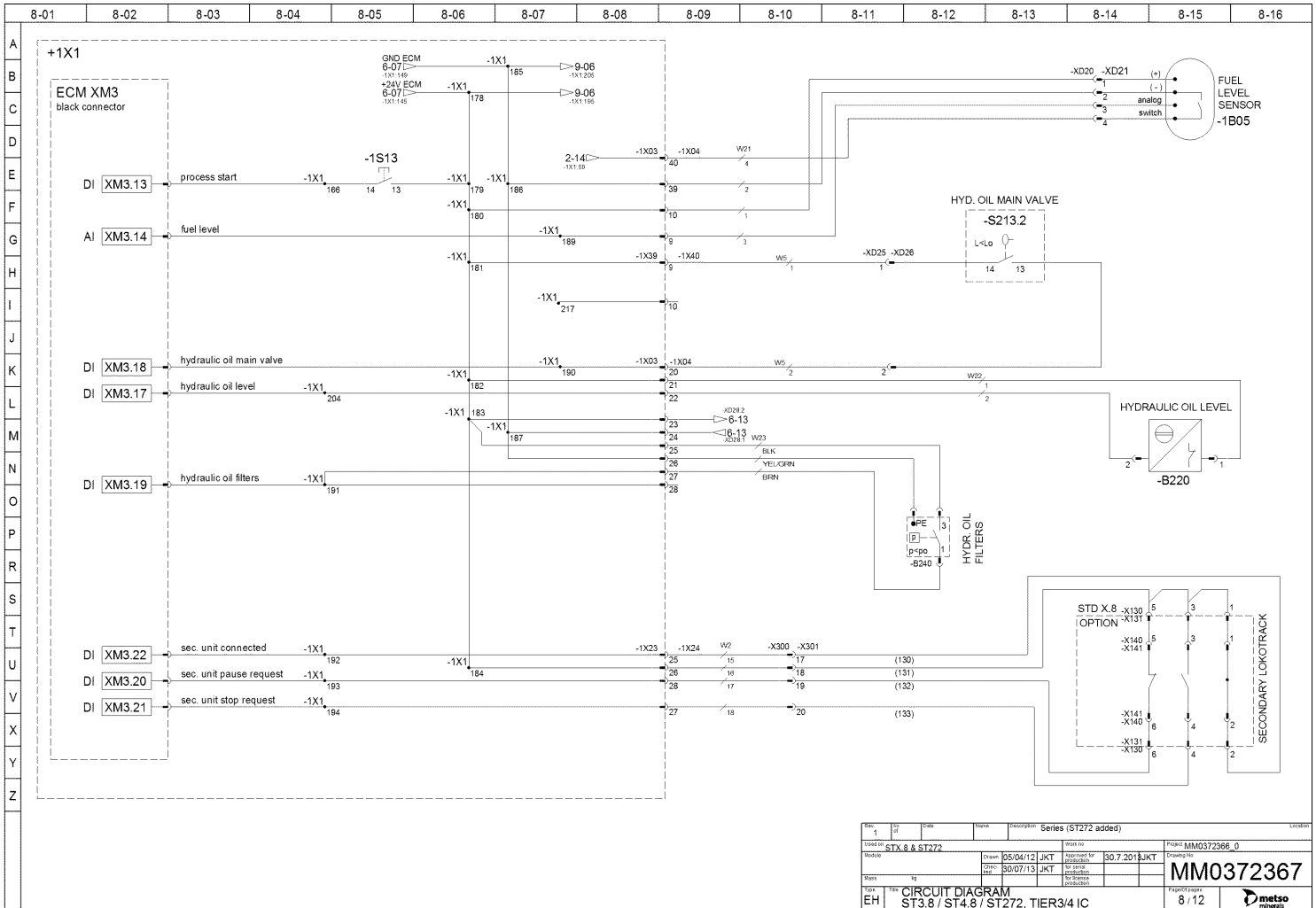
Rev	By	Date	Issue	Description	Series (ST272 added)	Location
1	JKT					
Based on STX 8 & ST272						
Drawn	05/06/12	JKT	Approved by	30.7.2012	JKT	Project
Checked	30/07/13	JKT	Checked			MM0372366_0
Title						MM0372367
Type						CIRCUIT DIAGRAM
EH						ST3.8 / ST4.8 / ST272, TIER3/4 IC
Page/Total						5 / 12



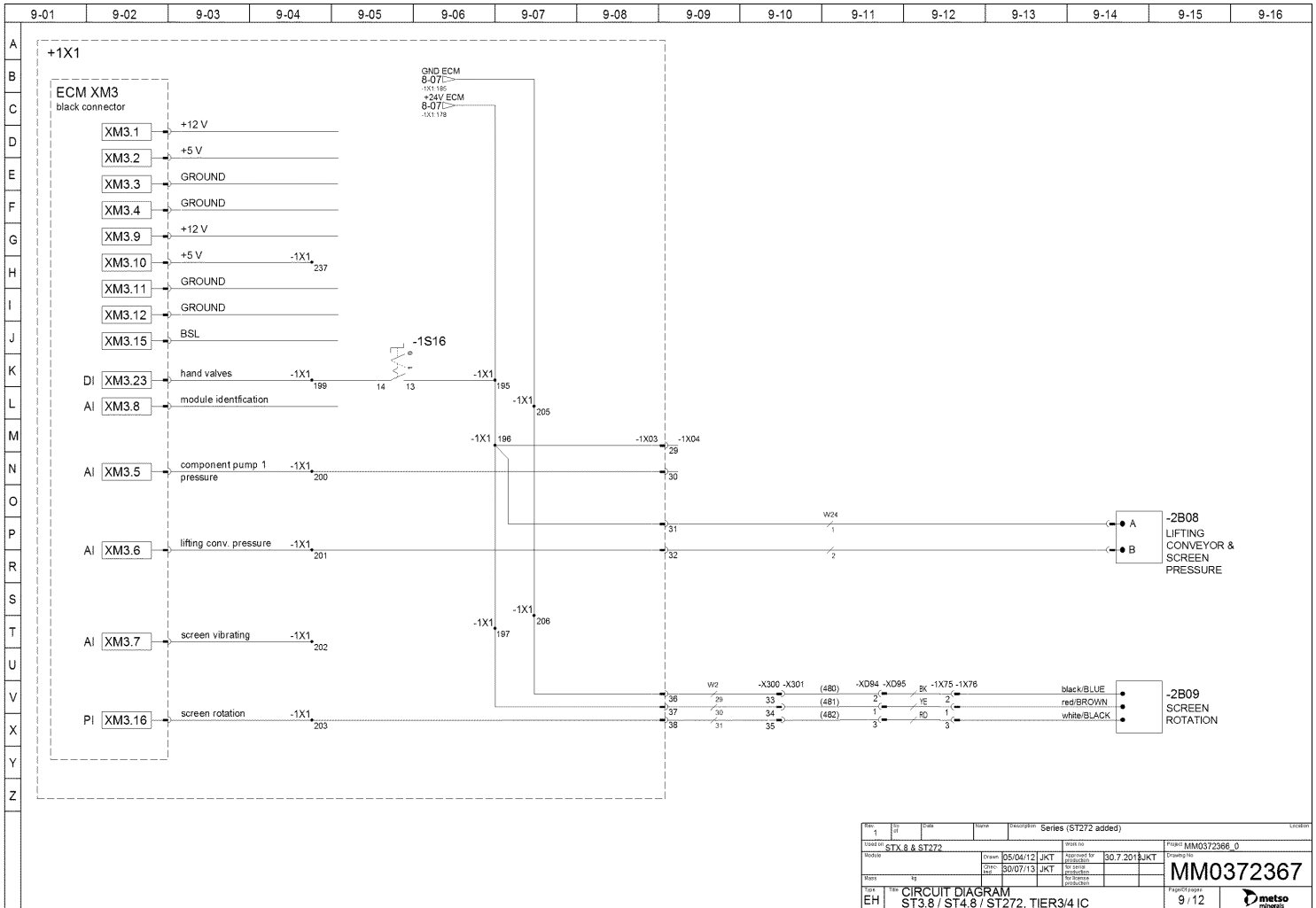
Rev	Iss	Date	By	Checked	Series (ST272 added)	Location
1	21					
Based on STX 8 & ST272						
Drawn		05/04/12	JKT	Approved by	30.7.2012	JKT
Checked		30/07/13	JKT	Checked		
Status		Final				
Title		CIRCUIT DIAGRAM				
EH		ST3.8 / ST4.8 / ST272, TIER3/4 IC				
Project					MM0372366_0	
Part No.					MM0372367	
Page/Total					6 / 12	



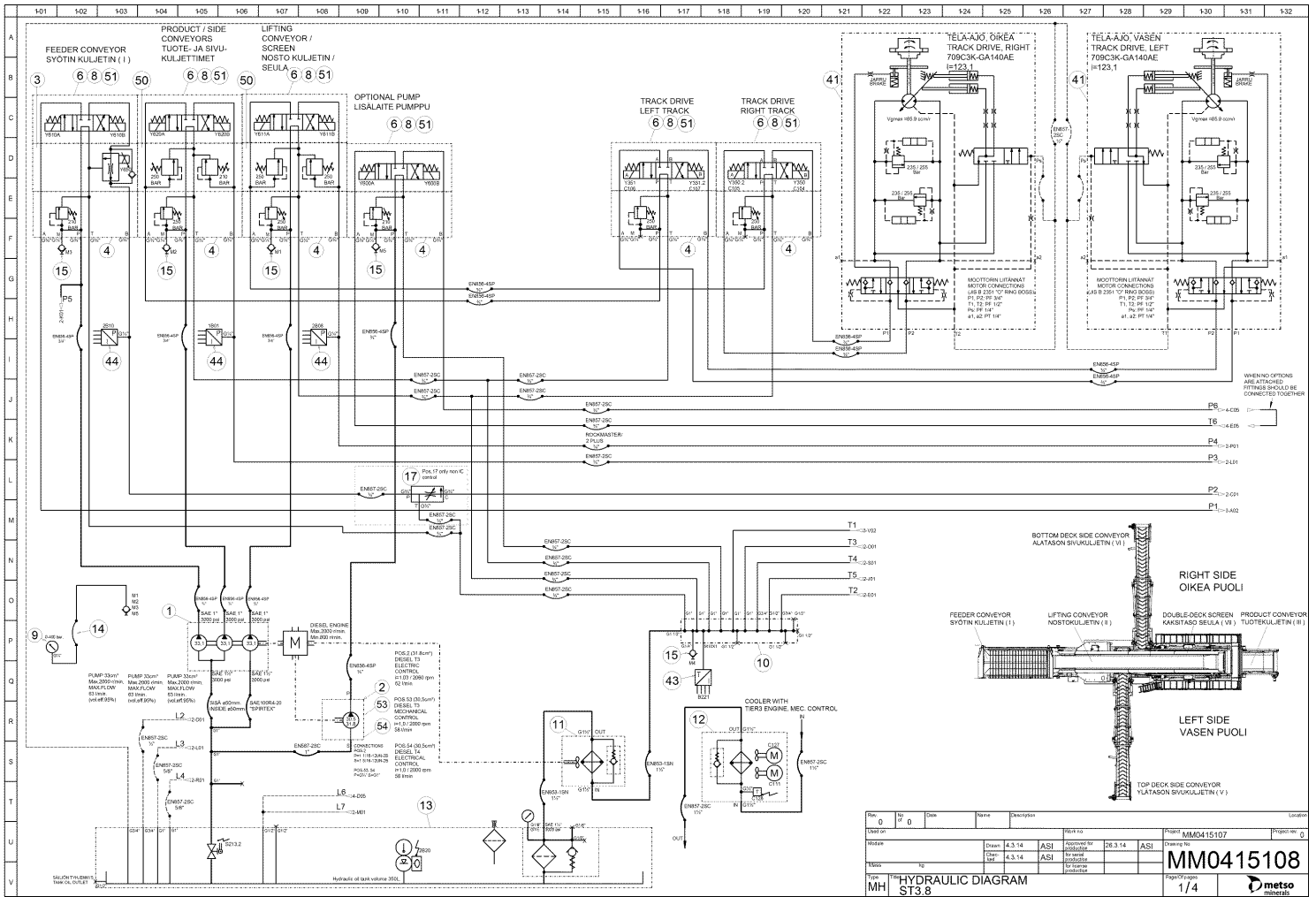
Rev:	1	Issued:	2013	Scale:		Author:	JKT	Checked:	JKT	Approved:	JKT	Series:	ST272 added	Project:	MM0372366_0
Drawn:	STX & ST272	Drawn:	05/04/12	Checked:	30/07/13	Approved:	JKT	Approved:	30.7.2013	Approved:	JKT	Project:	MM0372367	Page:	7 / 12
Drawn:	EH	Checked:	JKT	Checked:	JKT	Approved:	JKT	Approved:	JKT	Approved:	JKT	Project:	MM0372367	Page:	7 / 12
Drawn:	EH	Checked:	JKT	Checked:	JKT	Approved:	JKT	Approved:	JKT	Approved:	JKT	Project:	MM0372367	Page:	7 / 12



Rev.	Iss.	Date	Author	Checked	Series (ST272 added)	Version	Project
1	01						MM0372366_0
Based on		STX 8 & ST272		Work no.		30.7.2011 JKT	
Drawn		05/06/12 JKT		Approved by		05/07/13 JKT	
Checked		09/07/13 JKT		Reviewed			
Status		Sj		No further production			
Title		CIRCUIT DIAGRAM		Page/Total		6 / 12	
EH		ST3.8 / ST4.8 / ST272, TIER3/4 IC		metso		metso	



Rev.	Ed.	Date	Author	Approved by	Series (ST272 added)	Location
1	01					
Based on		STX 8 & ST272	Work no.			Project MM0372366_0
Drawn		05/04/12 JKT	Approved for production		30.7.2012 JKT	
Check		30/07/13 JKT	No errors			
Status		OK	No further production			
Title						Page/Total
EH CIRCUIT DIAGRAM						9 / 12
ST3.8 / ST4.8 / ST272, TIER3/4 IC						



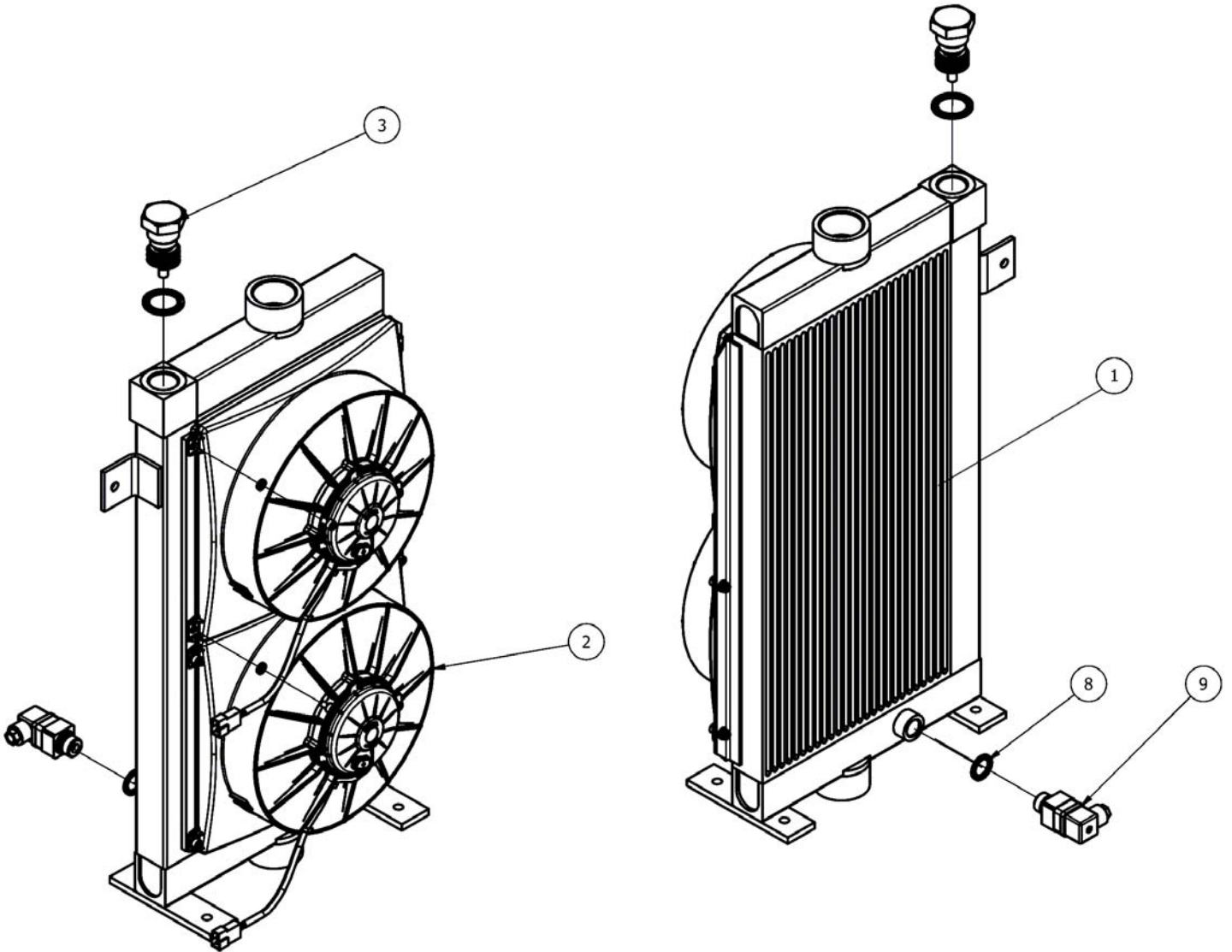








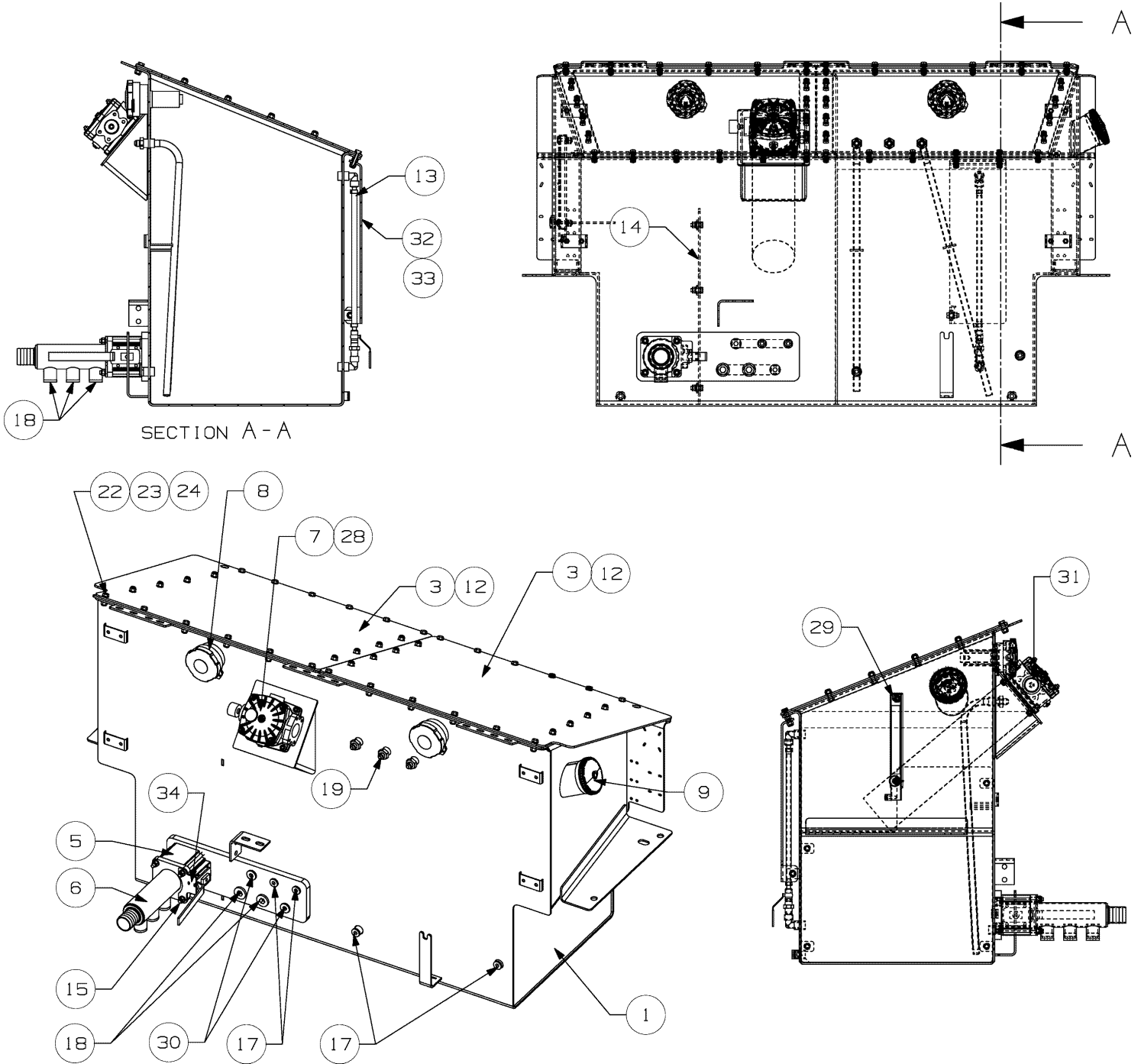
Pos.	Part No.	Description	Qty	Net Wght	Page
1	MM0358386	PUMP, HYDRAULIC	1	23	
2	MM0408275	PUMP, HYDRAULIC	1	8.6	
3	MM0409733	VALVE, FLOW CONTROL	1	5	
4	MM0559427	BLOCK	6	8	
5	804513	SUBPLATE	1	0.9	
6	MM0362603	VALVE, DIRECTIONAL	6	3.3	
7	MM0343705	VALVE, DIRECTIONAL	1	2	
8	MM0362561	COIL	12	1.63	
9	706306138070	GAUGE, PRESSURE	1	0.25	
10	MM1029804	BLOCK	1	10	
11	MM1029788	COOLER ASSEMBLY	1	102.38	58
12	MM0543934	COOLER, OIL	1	65.09	115
13	MM0585874	TANK MODULE	1	324.14	116
14	MM0318003	MEASURE HOSE	1	.2	
15	706203392200	ADAPTER, MEASURE	9	0.1	
16	MM0309730	VALVE, CHECK, PILOT OPERATED	1	1	
17	MM0317231	VALVE, FLOW CONTROL	3	4.5	
18	MM0267939	MOTOR, HYDRAULIC	1	7.8	
19	706201695960	MOTOR, HYDRAULIC	1	24	
20	N05530635	MOTOR, HYDRAULIC	2	12.3	
*	N05530744	SEAL KIT	1	0.05	
21	706201695960	MOTOR, HYDRAULIC	1	24	
22	MM0336335	MOTOR, HYDRAULIC	1	6.56	
23	N02482203	VALVE, FLOW CONTROL	1	0.7	
24	MM0373786	VALVE, DIRECTIONAL	1	2.8	
25	MM0373765	VALVE, DIRECTIONAL	1	5.5	
26	MM0373762	VALVE, DIRECTIONAL	1	8.8	
27	MM0375181	CONNECTION	14	.05	
28	MM0375183	CONNECTION	3	.05	
29	MM0237493	CYLINDER, HYDRAULIC	2	8	91
30	MM0303433	CYLINDER, HYDRAULIC	2		
31	MM0237488	CYLINDER, HYDRAULIC	2	45.4	30
32	MM0534133	CYLINDER, HYDRAULIC	4	25	
33	MM0237496	CYLINDER, HYDRAULIC	1	29.8	44
35	MM0237496	CYLINDER, HYDRAULIC	1	29.8	44
36	MM0237494	CYLINDER, HYDRAULIC	2	20	99
37	MM0298933	CYLINDER, HYDRAULIC	2	12.4	
38	MM0237489	CYLINDER, HYDRAULIC	2	14	17
39	MM0237384	CYLINDER, HYDRAULIC	2	19	117
40	N02456150	HOSE BURST VALVE	14	0.02	
41	MM0397840	HYDRAULIC DRIVE	2	245	
43	N02495333	SENSOR, TEMPERATURE	1	0.0241	
44	MM0230524	TRANSMITTER, PRESSURE	3	.058	
45	N02482203	VALVE, FLOW CONTROL	1	0.7	
46	706203312900	VALVE, BALL	3	0.67	
47	N02482088	SHUT-OFF VALVE	1	0.375	
48	MM0274647	MOTOR, HYDRAULIC	1	28.13	118
50	MM0375764	VALVE, PRESSURE RELIEF	2	2.7	
51	MM0362606	COIL	12	1.63	
52	MM0298753	VALVE, DIRECTIONAL	1	2	
53	MM0317495	PUMP, HYDRAULIC	1	12.5	
54	MM0301642	PUMP, HYDRAULIC	1	12.5	





Lokotrack ST3.8 s/n 77916  
MM0543934\_0 COOLER, OIL

Pos.	Part No.	Description	Qty	Net Wght
1	MM0370306	COOLER, OIL	1	11
2	MM0370308	FAN	1	2.224
3	MM0370309	KIT	1	
8	MM0370311	WASHER	1	
9	MM0370315	THERMOSWITCH	2	.17

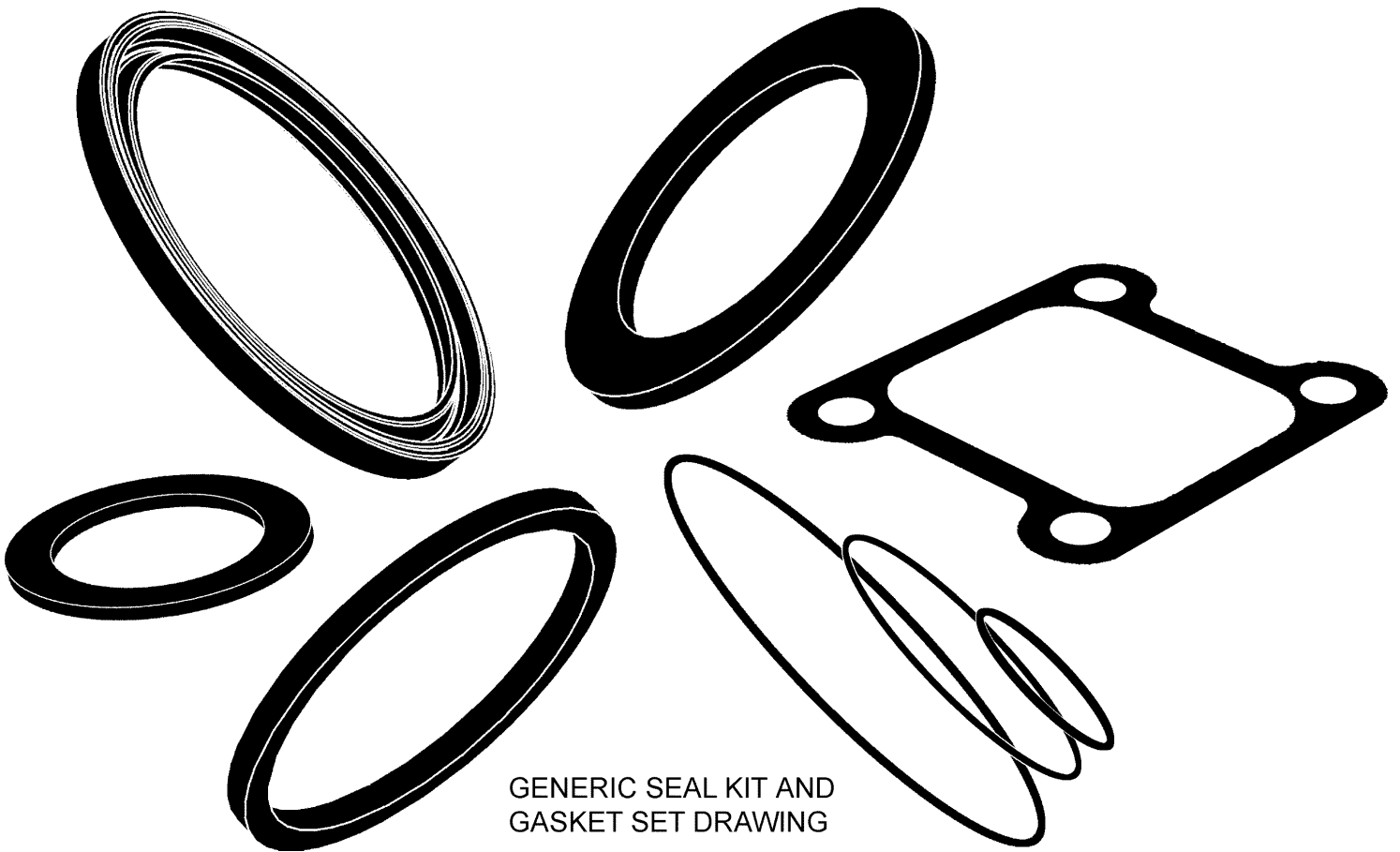




Lokotrack ST3.8 s/n 77916  
MM0585874\_1 TANK MODULE

Pos.	Part No.	Description	Qty	Net Wght	Page
1	MM0585875	TANK WELDING	1	241.57	
3	MM0574149	PLATE	2	24.71	
5	N02123143	VALVE, BALL	1	5	
6	MM0561489	PIPE WELDING	1	3.47	
7	MM0288258	RETURN FILTER	1	5	62
8	MM0238419	BREATHER	2	0.3	63
*	MM0238690	FILTER ELEMENT	1	0.1	
9	MM0344542	CORK	1	.3	
12	MM0545133	SEAL, RUBBER	2	.58	
13	925746	MEASURING HOSE	1	0.6	64
14	MM0533467	PLATE	1	11.43	
15	MM0238481	THREADED ROD	1		
17	706202487230	TERMINAL PLUG	7	0.05	
18	706202487250	TERMINAL PLUG	5	0.13	
19	706300790060	CONNECTOR	3	0.1	
22	704203927100	NUT, HEXAGONAL, TORQUE	55	0.010	
23	N01530138	SCREW, HEXAGONAL	27	0.030	
24	804006920000	WASHER, PLAIN	84	0.010	
28	704103510000	SCREW, CAP, HEXAGON SOCKET HEAD	4	0.030	
29	706202740000	LEVEL SWITCH	1	0.3	
30	706202487240	TERMINAL PLUG	2	0.07	
31	MM0369977	HYDRAULIC FITTING	1	.7	
32	MM0559082	PLATE	1	3.57	
33	7001530148	SCREW, HEXAGONAL	2	0.036	
34	MM0557204	PLATE	1	.18	







Lokotrack ST3.8 s/n 77916  
MM0237384\_0 CYLINDER, HYDRAULIC

Pos.	Part No.	Description	Qty	Net Wght
0	MM0237886	SEAL KIT	1	0.01

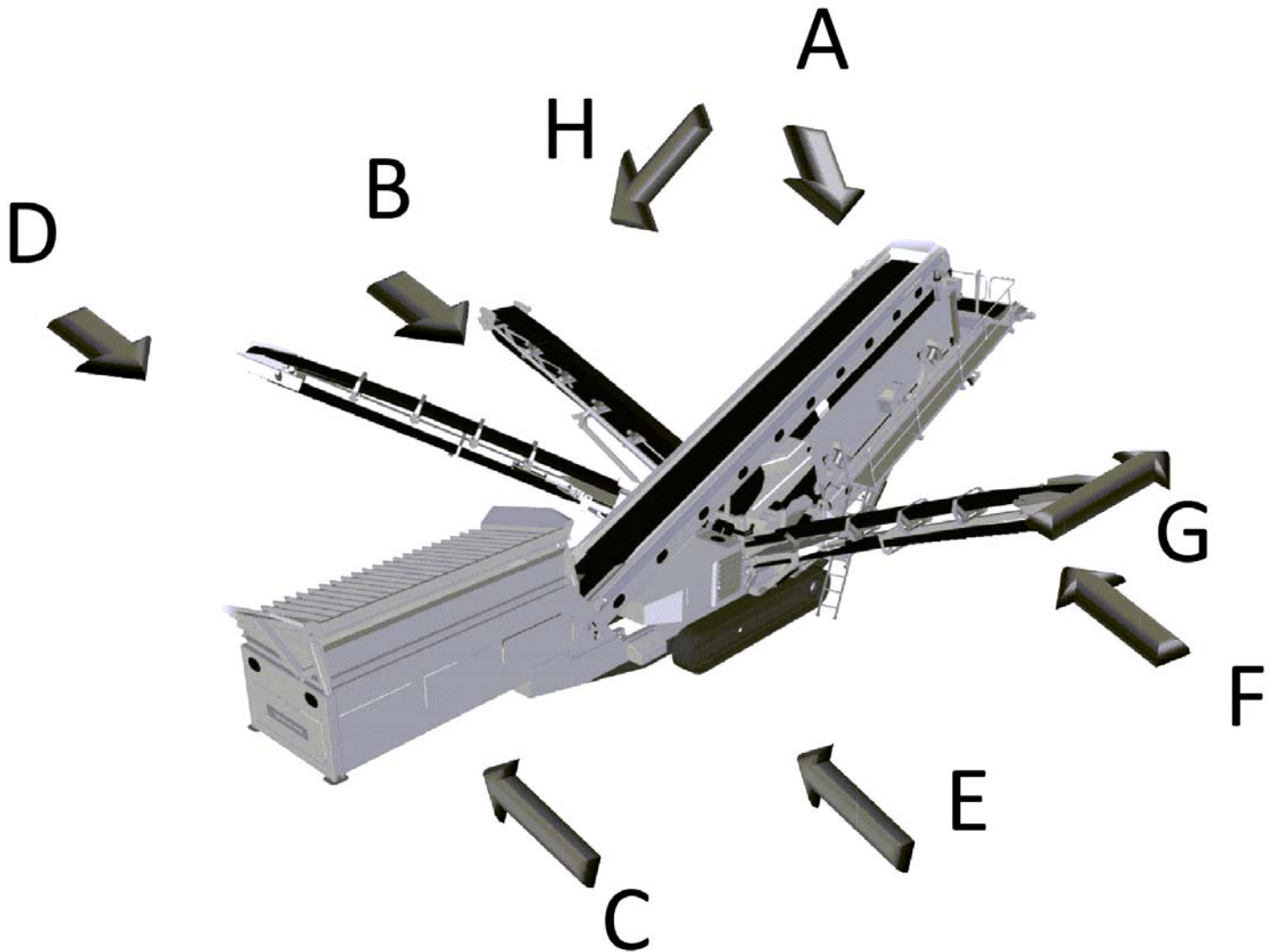
THIS PAGE HAS BEEN LEFT INTENTIONALLY BLANK



Lokotrack ST3.8 s/n 77916  
MM0274647\_0 MOTOR, HYDRAULIC

Pos.	Part No.	Description	Qty	Net Wght
0	MM0351326	GASKET SET	1	.3

REFERENCE VIEWS FROM A - H

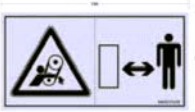


Pos.	Part No.	Description	Qty	Net Wght
1	MM0319015	STICKER	1	
2	MM0319000	STICKER	3	
	MM0319001	STICKER	3	
4	MM0324317	STICKER	17	
5	N11904851	STICKER	2	0.005
6	N11904865	STICKER	4	0.005
7	MM0324338	STICKER	1	
9	MM0328509	STICKER	3	
10	MM0324320	STICKER	10	
11	MM0348203	STICKER	10	
13	MM0336381	STICKER	4	
16	MM0383388	STICKER	1	
17	MM0379479	STICKER	1	
	MM0399579	STICKER	1	
18	MM0379512	STICKER	1	
	MM0399578	STICKER	1	
19	MM0379473	STICKER	1	
22	MM0324352	STICKER	2	
23	MM0324315	STICKER	1	
25	N11904863	STICKER	1	0.005
26	MM0336385	STICKER	2	
27	N11905034	STICKER	8	0.005
28	MM0324345	STICKER	2	
29	N11904928	STICKER	22	0.001
30	MM0314755	STICKER, LOGO	3	
31	N11904932	STICKER	3	0.0019
34	MM0376600	STICKER	4	
36	MM0345066	STICKER	1	
40	MM0358522	STICKER	4	
41	MM0349122	STICKER	2	
42	MM0349119	STICKER	1	
43	MM0367651	STICKER	1	.01
44	MM0399575	STICKER	1	

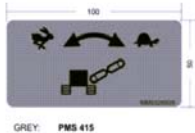
ST4.8 ONLY



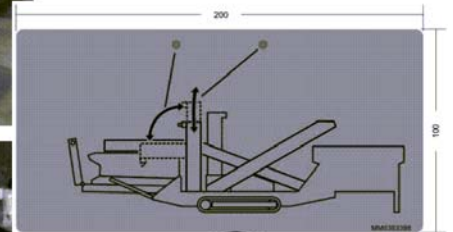
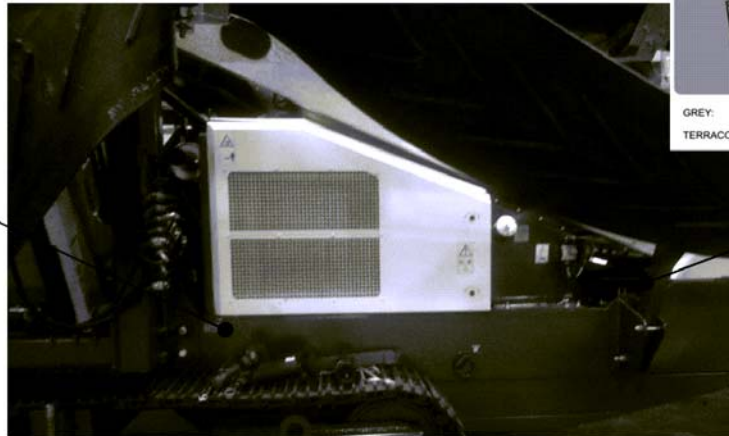
11



4



9



GREY: PMS 415  
TERRACOTTA: PMS 159

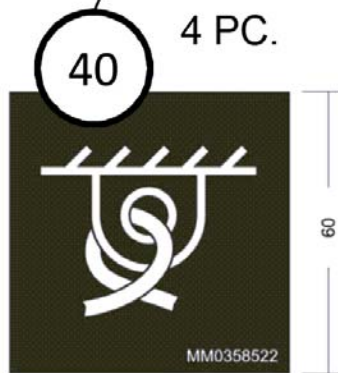
16



Lokotrack ST3.8 s/n 77916  
MM0383431\_1\_2 STICKERS, ISO

Pos.	Part No.	Description	Qty	Net Wght
1	MM0319015	STICKER	1	
2	MM0319000	STICKER	3	
	MM0319001	STICKER	3	
4	MM0324317	STICKER	17	
5	N11904851	STICKER	2	0.005
6	N11904865	STICKER	4	0.005
7	MM0324338	STICKER	1	
9	MM0328509	STICKER	3	
10	MM0324320	STICKER	10	
11	MM0348203	STICKER	10	
13	MM0336381	STICKER	4	
16	MM0383388	STICKER	1	
17	MM0379479	STICKER	1	
	MM0399579	STICKER	1	
18	MM0379512	STICKER	1	
	MM0399578	STICKER	1	
19	MM0379473	STICKER	1	
22	MM0324352	STICKER	2	
23	MM0324315	STICKER	1	
25	N11904863	STICKER	1	0.005
26	MM0336385	STICKER	2	
27	N11905034	STICKER	8	0.005
28	MM0324345	STICKER	2	
29	N11904928	STICKER	22	0.001
30	MM0314755	STICKER, LOGO	3	
31	N11904932	STICKER	3	0.0019
34	MM0376600	STICKER	4	
36	MM0345066	STICKER	1	
40	MM0358522	STICKER	4	
41	MM0349122	STICKER	2	
42	MM0349119	STICKER	1	
43	MM0367651	STICKER	1	.01
44	MM0399575	STICKER	1	







Lokotrack ST3.8 s/n 77916  
MM0383431\_1\_3 STICKERS, ISO

Pos.	Part No.	Description	Qty	Net Wght
1	MM0319015	STICKER	1	
2	MM0319000	STICKER	3	
	MM0319001	STICKER	3	
4	MM0324317	STICKER	17	
5	N11904851	STICKER	2	0.005
6	N11904865	STICKER	4	0.005
7	MM0324338	STICKER	1	
9	MM0328509	STICKER	3	
10	MM0324320	STICKER	10	
11	MM0348203	STICKER	10	
13	MM0336381	STICKER	4	
16	MM0383388	STICKER	1	
17	MM0379479	STICKER	1	
	MM0399579	STICKER	1	
18	MM0379512	STICKER	1	
	MM0399578	STICKER	1	
19	MM0379473	STICKER	1	
22	MM0324352	STICKER	2	
23	MM0324315	STICKER	1	
25	N11904863	STICKER	1	0.005
26	MM0336385	STICKER	2	
27	N11905034	STICKER	8	0.005
28	MM0324345	STICKER	2	
29	N11904928	STICKER	22	0.001
30	MM0314755	STICKER, LOGO	3	
31	N11904932	STICKER	3	0.0019
34	MM0376600	STICKER	4	
36	MM0345066	STICKER	1	
40	MM0358522	STICKER	4	
41	MM0349122	STICKER	2	
42	MM0349119	STICKER	1	
43	MM0367651	STICKER	1	.01
44	MM0399575	STICKER	1	

**27** ISO: ANSI: **WARNING**  
Dropping material.  
Watch out for material dropping from the conveyor.

**22** **WARNING**  
To avoid any damage when in transport, ensure correct pin location of all main engine, tracks, and product. Otherwise, tracks will become damaged.

**1** **2** **A**

**10** GREY: PMS 415

**11** **REMOVE PIN BEFORE ADJUSTING. REINSTALL AFTER ADJUSTING.** PMS7443-1

**13** **! DANGER**  
Do not perform any maintenance, adjustment, or cleaning while the machine is operational. RED: PMS 1797

**28** GREY: PMS 415  
RED: PMS 445  
YELLOW: PMS 116

**4** **WARNING**  
Exposed moving parts can cause severe injury. Lock out power before removing guard.

**9** GREY: PMS 415

**10** GREY: PMS 415

**8** GREY: PMS 415

**17** **ST3.8** **ST 4.8**

**44** GREY: PMS 415  
TERRACOTTA: PMS 136  
YELLOW: PMS 116

**! WARNING**  
Remove pin before adjusting. Reinstall pin after adjusting.



Lokotrack ST3.8 s/n 77916  
MM0383431\_1\_4 STICKERS, ISO

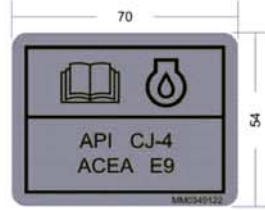
Pos.	Part No.	Description	Qty	Net Wght
1	MM0319015	STICKER	1	
2	MM0319000	STICKER	3	
	MM0319001	STICKER	3	
4	MM0324317	STICKER	17	
5	N11904851	STICKER	2	0.005
6	N11904865	STICKER	4	0.005
7	MM0324338	STICKER	1	
9	MM0328509	STICKER	3	
10	MM0324320	STICKER	10	
11	MM0348203	STICKER	10	
13	MM0336381	STICKER	4	
16	MM0383388	STICKER	1	
17	MM0379479	STICKER	1	
	MM0399579	STICKER	1	
18	MM0379512	STICKER	1	
	MM0399578	STICKER	1	
19	MM0379473	STICKER	1	
22	MM0324352	STICKER	2	
23	MM0324315	STICKER	1	
25	N11904863	STICKER	1	0.005
26	MM0336385	STICKER	2	
27	N11905034	STICKER	8	0.005
28	MM0324345	STICKER	2	
29	N11904928	STICKER	22	0.001
30	MM0314755	STICKER, LOGO	3	
31	N11904932	STICKER	3	0.0019
34	MM0376600	STICKER	4	
36	MM0345066	STICKER	1	
40	MM0358522	STICKER	4	
41	MM0349122	STICKER	2	
42	MM0349119	STICKER	1	
43	MM0367651	STICKER	1	.01
44	MM0399575	STICKER	1	





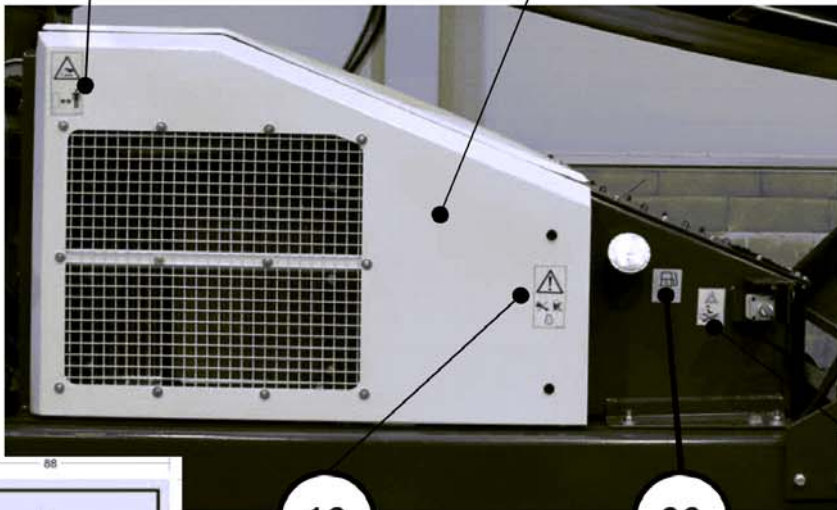
5

ONLY TIER 4 ONLY  
INSIDE DOOR



GREY: PMS 415

41



B

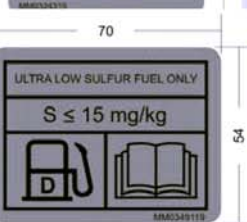
13

23

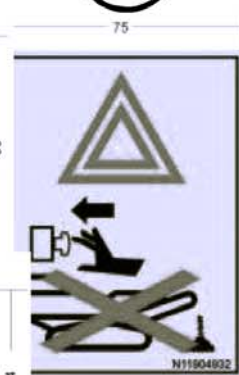
31



RED: PMS 1797



GREY: PMS 415



ONLY TIER 4 ONLY

42

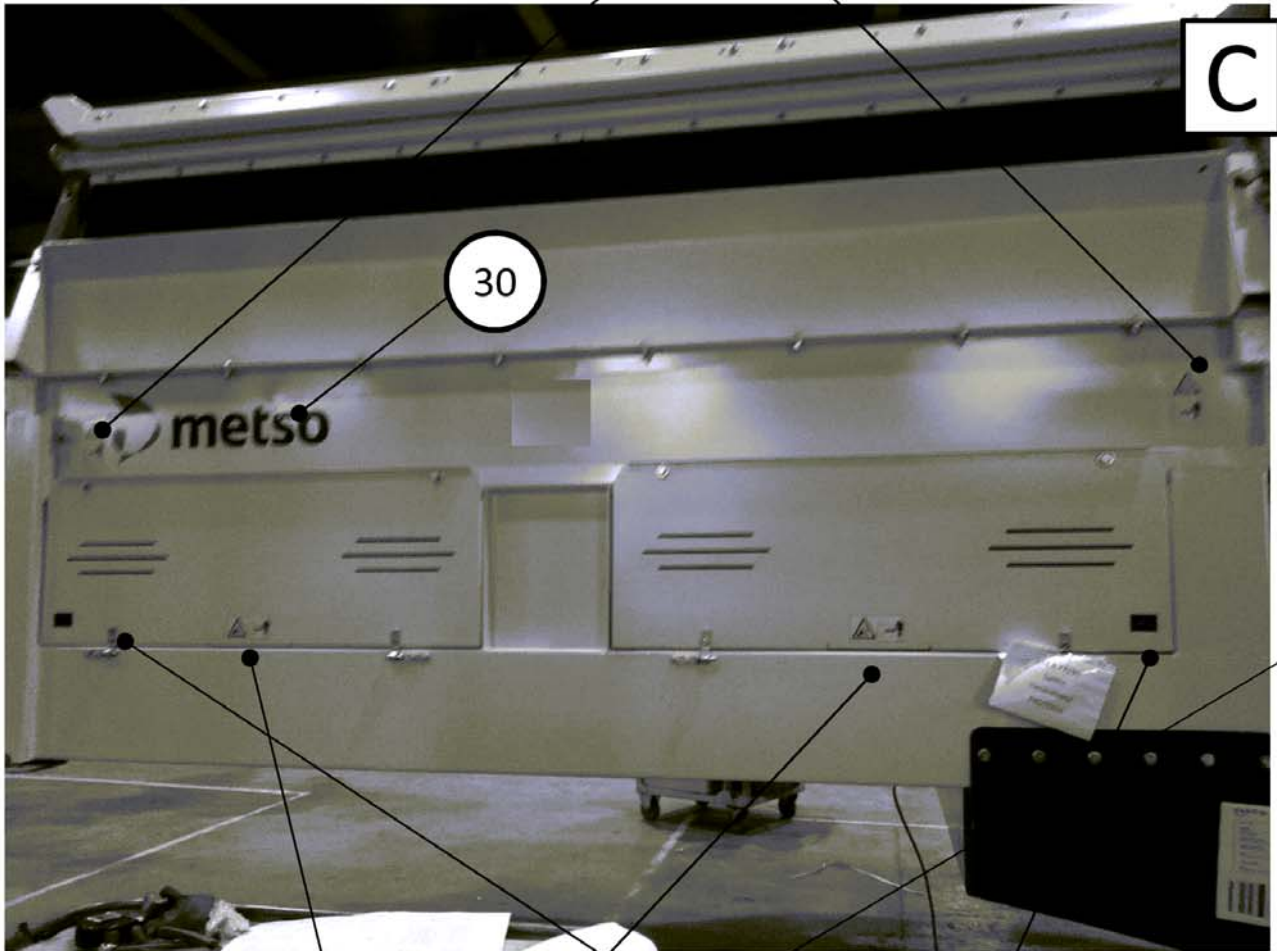


Lokotrack ST3.8 s/n 77916  
MM0383431\_1\_5 STICKERS, ISO

Pos.	Part No.	Description	Qty	Net Wght
1	MM0319015	STICKER	1	
2	MM0319000	STICKER	3	
	MM0319001	STICKER	3	
4	MM0324317	STICKER	17	
5	N11904851	STICKER	2	0.005
6	N11904865	STICKER	4	0.005
7	MM0324338	STICKER	1	
9	MM0328509	STICKER	3	
10	MM0324320	STICKER	10	
11	MM0348203	STICKER	10	
13	MM0336381	STICKER	4	
16	MM0383388	STICKER	1	
17	MM0379479	STICKER	1	
	MM0399579	STICKER	1	
18	MM0379512	STICKER	1	
	MM0399578	STICKER	1	
19	MM0379473	STICKER	1	
22	MM0324352	STICKER	2	
23	MM0324315	STICKER	1	
25	N11904863	STICKER	1	0.005
26	MM0336385	STICKER	2	
27	N11905034	STICKER	8	0.005
28	MM0324345	STICKER	2	
29	N11904928	STICKER	22	0.001
30	MM0314755	STICKER, LOGO	3	
31	N11904932	STICKER	3	0.0019
34	MM0376600	STICKER	4	
36	MM0345066	STICKER	1	
40	MM0358522	STICKER	4	
41	MM0349122	STICKER	2	
42	MM0349119	STICKER	1	
43	MM0367651	STICKER	1	.01
44	MM0399575	STICKER	1	



6



30



4

29

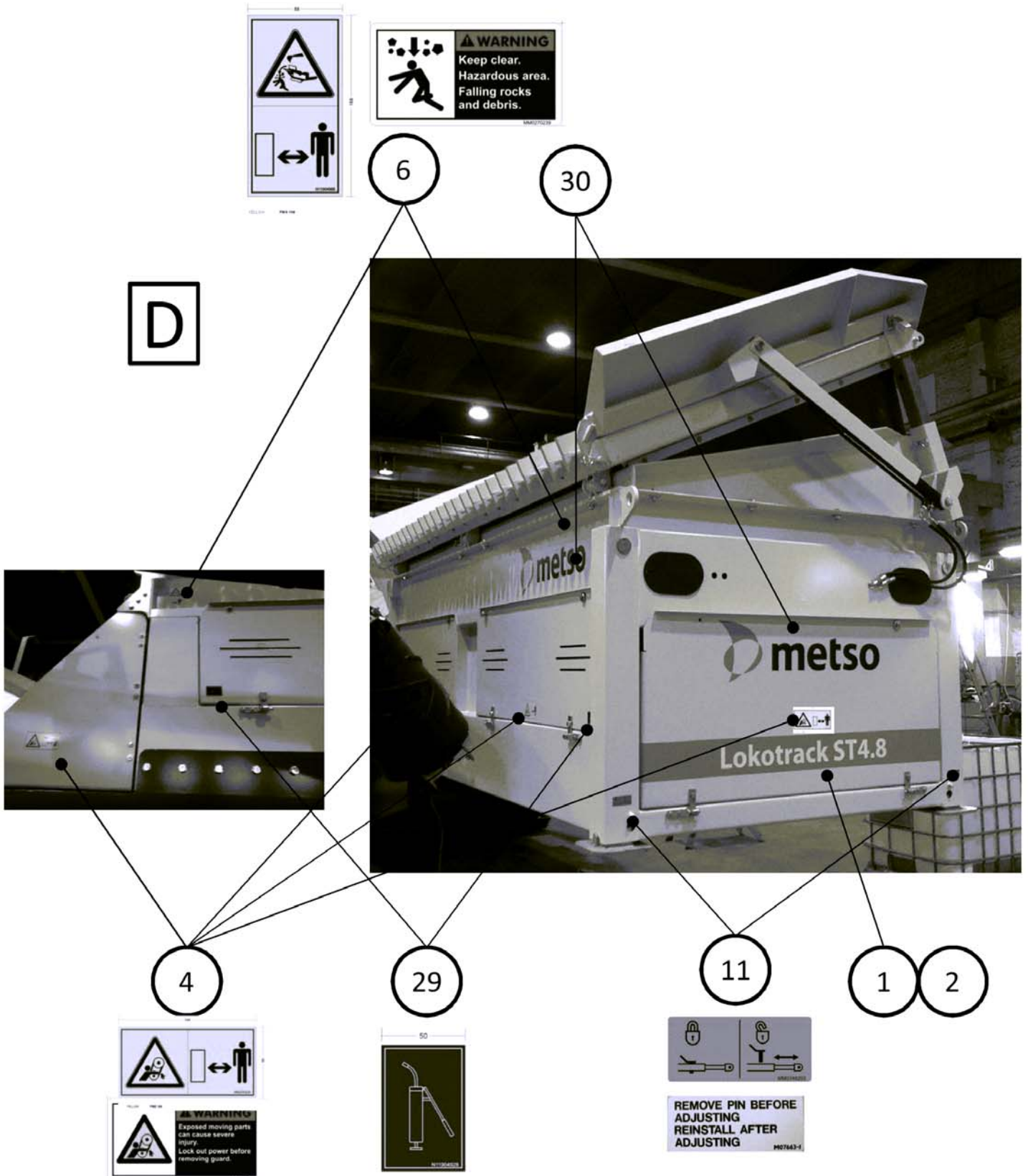




Lokotrack ST3.8 s/n 77916  
MM0383431\_1\_6 STICKERS, ISO

Pos.	Part No.	Description	Qty	Net Wght
1	MM0319015	STICKER	1	
2	MM0319000	STICKER	3	
	MM0319001	STICKER	3	
4	MM0324317	STICKER	17	
5	N11904851	STICKER	2	0.005
6	N11904865	STICKER	4	0.005
7	MM0324338	STICKER	1	
9	MM0328509	STICKER	3	
10	MM0324320	STICKER	10	
11	MM0348203	STICKER	10	
13	MM0336381	STICKER	4	
16	MM0383388	STICKER	1	
17	MM0379479	STICKER	1	
	MM0399579	STICKER	1	
18	MM0379512	STICKER	1	
	MM0399578	STICKER	1	
19	MM0379473	STICKER	1	
22	MM0324352	STICKER	2	
23	MM0324315	STICKER	1	
25	N11904863	STICKER	1	0.005
26	MM0336385	STICKER	2	
27	N11905034	STICKER	8	0.005
28	MM0324345	STICKER	2	
29	N11904928	STICKER	22	0.001
30	MM0314755	STICKER, LOGO	3	
31	N11904932	STICKER	3	0.0019
34	MM0376600	STICKER	4	
36	MM0345066	STICKER	1	
40	MM0358522	STICKER	4	
41	MM0349122	STICKER	2	
42	MM0349119	STICKER	1	
43	MM0367651	STICKER	1	.01
44	MM0399575	STICKER	1	







Lokotrack ST3.8 s/n 77916  
MM0383431\_1\_7 STICKERS, ISO

Pos.	Part No.	Description	Qty	Net Wght
1	MM0319015	STICKER	1	
2	MM0319000	STICKER	3	
	MM0319001	STICKER	3	
4	MM0324317	STICKER	17	
5	N11904851	STICKER	2	0.005
6	N11904865	STICKER	4	0.005
7	MM0324338	STICKER	1	
9	MM0328509	STICKER	3	
10	MM0324320	STICKER	10	
11	MM0348203	STICKER	10	
13	MM0336381	STICKER	4	
16	MM0383388	STICKER	1	
17	MM0379479	STICKER	1	
	MM0399579	STICKER	1	
18	MM0379512	STICKER	1	
	MM0399578	STICKER	1	
19	MM0379473	STICKER	1	
22	MM0324352	STICKER	2	
23	MM0324315	STICKER	1	
25	N11904863	STICKER	1	0.005
26	MM0336385	STICKER	2	
27	N11905034	STICKER	8	0.005
28	MM0324345	STICKER	2	
29	N11904928	STICKER	22	0.001
30	MM0314755	STICKER, LOGO	3	
31	N11904932	STICKER	3	0.0019
34	MM0376600	STICKER	4	
36	MM0345066	STICKER	1	
40	MM0358522	STICKER	4	
41	MM0349122	STICKER	2	
42	MM0349119	STICKER	1	
43	MM0367651	STICKER	1	.01
44	MM0399575	STICKER	1	

Min- in the middle of the window

**19** 105 143  
MAX  
92 GAL  
350 L  
MIN  
GREY PMS 415

**5** **CAUTION**  
Hot surface.  
Contact with skin  
may cause burns.  
Do not touch.

**CAT**

**26**

**43** **CAUTION**  
Lock out  
before  
servicing.

**E**

**7**  $L=100\text{ mm}, H=50\text{ mm}$

**MACHINE PLATE**

**13**

**25**

**24** **WARNING**  
Exposed moving parts  
can cause severe  
injury.  
Lock out power before  
removing guard.

**WARNING**  
Do not remove the black connectors  
from the engine control unit (ECU)  
when power is on as this may cause  
engine control unit (ECU) failure.

**WARNING**  
Disconnect cables from  
ECU before welding.

**WARNING**  
Make sure area is clear  
of personnel before  
starting machine.

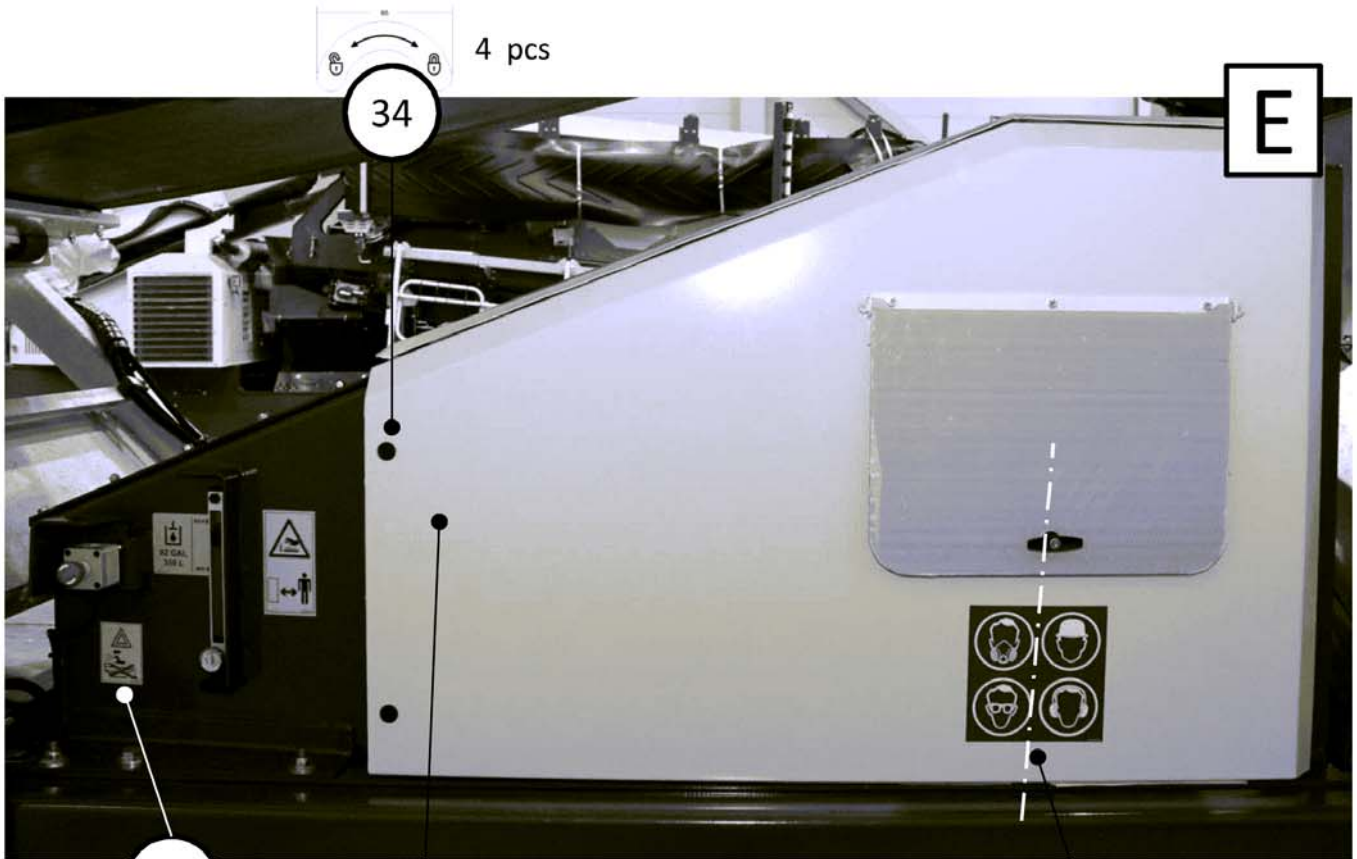
**4** **WARNING**  
Read and understand  
operating manual before  
using this machine.  
Failure to follow operating  
instructions may result in  
death or serious injury.



Lokotrack ST3.8 s/n 77916  
MM0383431\_1\_8 STICKERS, ISO

Pos.	Part No.	Description	Qty	Net Wght
1	MM0319015	STICKER	1	
2	MM0319000	STICKER	3	
	MM0319001	STICKER	3	
4	MM0324317	STICKER	17	
5	N11904851	STICKER	2	0.005
6	N11904865	STICKER	4	0.005
7	MM0324338	STICKER	1	
9	MM0328509	STICKER	3	
10	MM0324320	STICKER	10	
11	MM0348203	STICKER	10	
13	MM0336381	STICKER	4	
16	MM0383388	STICKER	1	
17	MM0379479	STICKER	1	
	MM0399579	STICKER	1	
18	MM0379512	STICKER	1	
	MM0399578	STICKER	1	
19	MM0379473	STICKER	1	
22	MM0324352	STICKER	2	
23	MM0324315	STICKER	1	
25	N11904863	STICKER	1	0.005
26	MM0336385	STICKER	2	
27	N11905034	STICKER	8	0.005
28	MM0324345	STICKER	2	
29	N11904928	STICKER	22	0.001
30	MM0314755	STICKER, LOGO	3	
31	N11904932	STICKER	3	0.0019
34	MM0376600	STICKER	4	
36	MM0345066	STICKER	1	
40	MM0358522	STICKER	4	
41	MM0349122	STICKER	2	
42	MM0349119	STICKER	1	
43	MM0367651	STICKER	1	.01
44	MM0399575	STICKER	1	



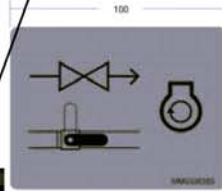


31



26

INSIDE DOOR



VERTICAL

36



MM0345066 (ISO)  
MM0229994 (ANSI)



▲ DANGER	▲ WARNING	▲ CAUTION	▲ CAUTION
Lung disease hazard. Dust protection required.	Risk of eye injury. Use of eye protection required.	Risk of head injury. Use of a helmet required.	Hazardous noise level. Use of ear protection required.



Lokotrack ST3.8 s/n 77916  
MM0383431\_1\_9 STICKERS, ISO

Pos.	Part No.	Description	Qty	Net Wght
1	MM0319015	STICKER	1	
2	MM0319000	STICKER	3	
	MM0319001	STICKER	3	
4	MM0324317	STICKER	17	
5	N11904851	STICKER	2	0.005
6	N11904865	STICKER	4	0.005
7	MM0324338	STICKER	1	
9	MM0328509	STICKER	3	
10	MM0324320	STICKER	10	
11	MM0348203	STICKER	10	
13	MM0336381	STICKER	4	
16	MM0383388	STICKER	1	
17	MM0379479	STICKER	1	
	MM0399579	STICKER	1	
18	MM0379512	STICKER	1	
	MM0399578	STICKER	1	
19	MM0379473	STICKER	1	
22	MM0324352	STICKER	2	
23	MM0324315	STICKER	1	
25	N11904863	STICKER	1	0.005
26	MM0336385	STICKER	2	
27	N11905034	STICKER	8	0.005
28	MM0324345	STICKER	2	
29	N11904928	STICKER	22	0.001
30	MM0314755	STICKER, LOGO	3	
31	N11904932	STICKER	3	0.0019
34	MM0376600	STICKER	4	
36	MM0345066	STICKER	1	
40	MM0358522	STICKER	4	
41	MM0349122	STICKER	2	
42	MM0349119	STICKER	1	
43	MM0367651	STICKER	1	.01
44	MM0399575	STICKER	1	

**1** **2** **29** **4** **22** **31** **27**

**F**

**11**

**4**

**13**

**28**

**9**

**10**

**8**

**18**

**REMOVE PIN BEFORE ADJUSTING REINSTALL AFTER ADJUSTING**

**WARNING**  
Exposed moving parts can cause severe injury. Lock out power before removing guard.

**WARNING**  
To avoid any damage when it transport vehicle correct the location of front loading. Verify the correct connector position for driver's seat.

**WARNING**  
Keep clear. Hazardous area. Falling rocks and debris.

**WARNING**  
Do not perform any maintenance, adjustment, or cleaning while the machine is operational.

40 HRS 400 HRS

**ST4.8**

**ST3.8**

GREY: PMS 415  
TERRACOTTA: PMS 106



Lokotrack ST3.8 s/n 77916  
MM0383431\_1\_10 STICKERS, ISO

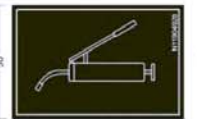
Pos.	Part No.	Description	Qty	Net Wght
1	MM0319015	STICKER	1	
2	MM0319000	STICKER	3	
	MM0319001	STICKER	3	
4	MM0324317	STICKER	17	
5	N11904851	STICKER	2	0.005
6	N11904865	STICKER	4	0.005
7	MM0324338	STICKER	1	
9	MM0328509	STICKER	3	
10	MM0324320	STICKER	10	
11	MM0348203	STICKER	10	
13	MM0336381	STICKER	4	
16	MM0383388	STICKER	1	
17	MM0379479	STICKER	1	
	MM0399579	STICKER	1	
18	MM0379512	STICKER	1	
	MM0399578	STICKER	1	
19	MM0379473	STICKER	1	
22	MM0324352	STICKER	2	
23	MM0324315	STICKER	1	
25	N11904863	STICKER	1	0.005
26	MM0336385	STICKER	2	
27	N11905034	STICKER	8	0.005
28	MM0324345	STICKER	2	
29	N11904928	STICKER	22	0.001
30	MM0314755	STICKER, LOGO	3	
31	N11904932	STICKER	3	0.0019
34	MM0376600	STICKER	4	
36	MM0345066	STICKER	1	
40	MM0358522	STICKER	4	
41	MM0349122	STICKER	2	
42	MM0349119	STICKER	1	
43	MM0367651	STICKER	1	.01
44	MM0399575	STICKER	1	



Symmetrically all conveyors both sides.

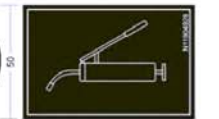
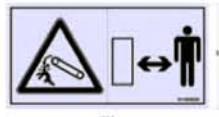


4



29

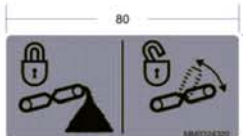
27



29



ST3.8 ONLY  
4 pcs

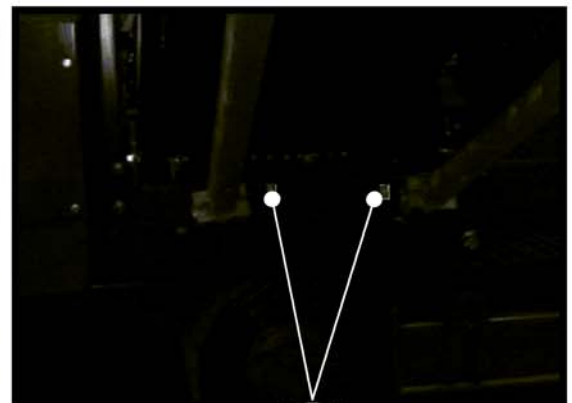


10

GREY: PMS 415



29



29



Lokotrack ST3.8 s/n 77916  
MM0383431\_1\_11 STICKERS, ISO

Pos.	Part No.	Description	Qty	Net Wght
1	MM0319015	STICKER	1	
2	MM0319000	STICKER	3	
	MM0319001	STICKER	3	
4	MM0324317	STICKER	17	
5	N11904851	STICKER	2	0.005
6	N11904865	STICKER	4	0.005
7	MM0324338	STICKER	1	
9	MM0328509	STICKER	3	
10	MM0324320	STICKER	10	
11	MM0348203	STICKER	10	
13	MM0336381	STICKER	4	
16	MM0383388	STICKER	1	
17	MM0379479	STICKER	1	
	MM0399579	STICKER	1	
18	MM0379512	STICKER	1	
	MM0399578	STICKER	1	
19	MM0379473	STICKER	1	
22	MM0324352	STICKER	2	
23	MM0324315	STICKER	1	
25	N11904863	STICKER	1	0.005
26	MM0336385	STICKER	2	
27	N11905034	STICKER	8	0.005
28	MM0324345	STICKER	2	
29	N11904928	STICKER	22	0.001
30	MM0314755	STICKER, LOGO	3	
31	N11904932	STICKER	3	0.0019
34	MM0376600	STICKER	4	
36	MM0345066	STICKER	1	
40	MM0358522	STICKER	4	
41	MM0349122	STICKER	2	
42	MM0349119	STICKER	1	
43	MM0367651	STICKER	1	.01
44	MM0399575	STICKER	1	